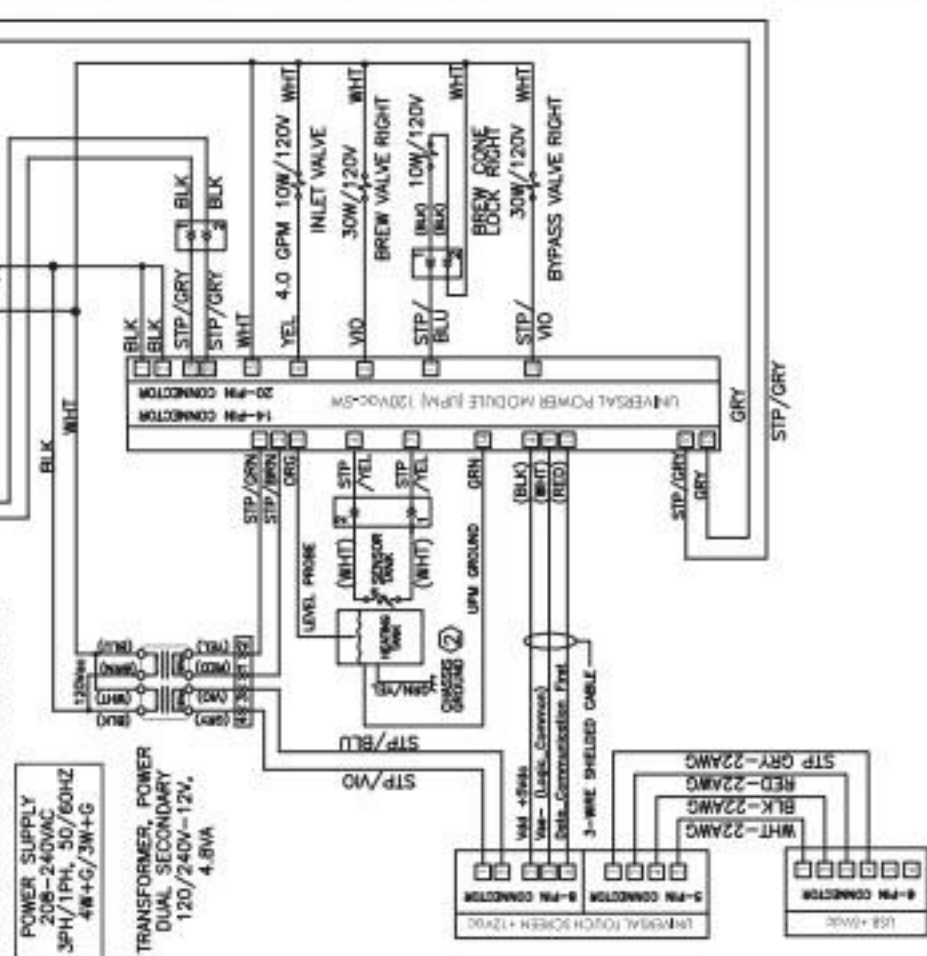


(UPM) Pin Assignments

20 Pin Connector	14 Pin Connector
1 120Vac Hot Input	1 12 Vac Input
2 120Vac Hot Input	2 12 Vac Input
3 Brew Valve Right	3 Tank Water Level Probe
4 Not Used	4 Vdd +5Vdc
5 120Vac Neutral	5 Not Used
6 Inlet Valve	6 Tank Temperature Sensor
7 Not Used	7 Tank Temperature Sensor
8 Not Used	8 Data_Communication Host (Not Used)
9 Not Used	9 Vs- (Logic, Common)
10 Not Used	10 Solid State Relay +5Vdc
11 Brew Valve Left	11 Data_Communication First
12 Not Used	12 Not Used
13 Not Used	13 Solid State Relay - Common
14 Not Used	14 UPM Ground
15 Bypass Valve Right	
16 Not Used	
17 Not Used	
18 Not Used	
19 Current Sensor	
20 Current Sensor	

(UCM-TOUCH SCREEN) Pin Assignments

8 Pin Connector	5 Pin Connector
1 12 Vac Input (Back Light)	1 TX - Transmit
2 Vdd +5Vdc	2 RX - Receive
3 Vs- (Logic, Common)	3 Not Used
4 Not Used	4 Vdd +5Vdc
5 12 Vac Input (Back Light)	5 Vs- (Logic, Common)
6 Data_Communication First	
7 Not Used	
8 Not Used	



ELECTRICAL RATING TABLE

Model	Voltage Vac	Amps A	Watts W	Hertz Hz	# of Conductors	Phase	# of Tank Elements	Tank Element Rating W/V

(USB) Pin Assignments

4-Pin Connector

Pin	Assignment
1	TX - Transmit
2	RX - Receive
3	Not Used
4	Vdd +5Vdc
5	Vs- (Logic, Common)
6	Data_Communication First
7	Not Used
8	Not Used