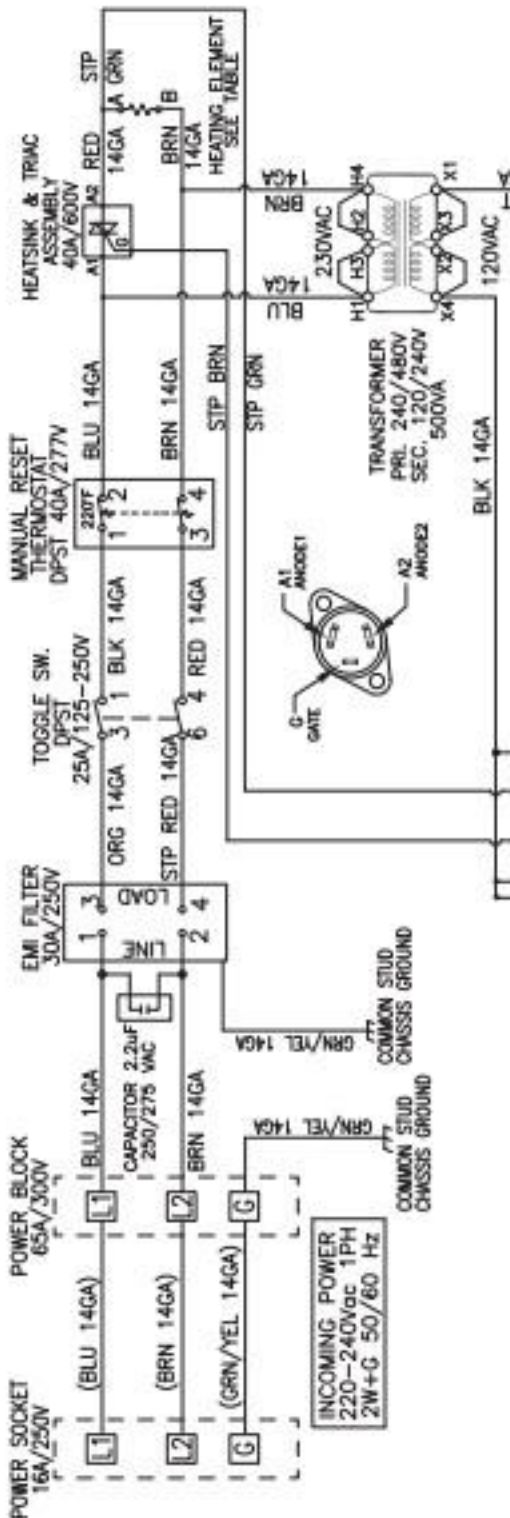
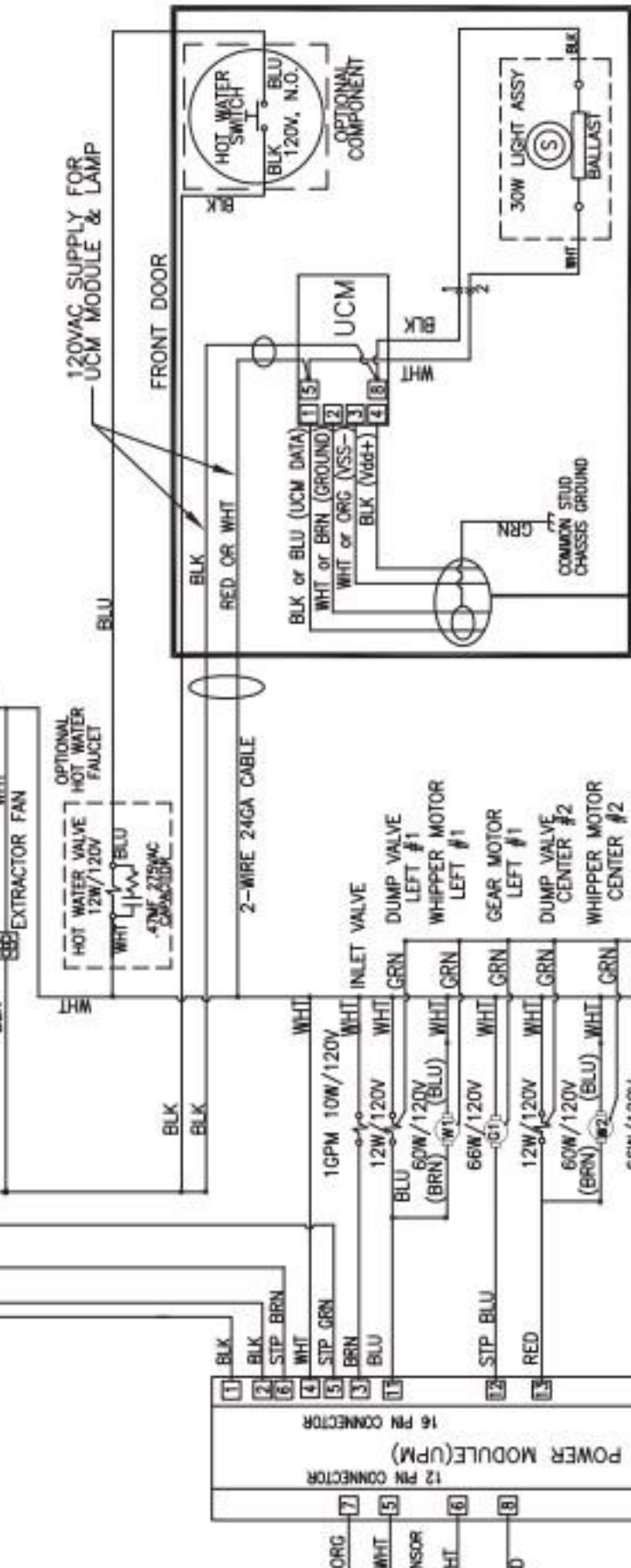


UPM Pin Assignments	
1	NOT USED
2	NOT USED
3	NOT USED
4	NOT USED
5	TANK TEMPERATURE SENSOR
6	TANK TEMPERATURE SENSOR
7	WATER LEVEL PROBE
8	UPM GROUND
9	UCM DATA
10	UCM DATA GROUND
11	VOISH 12VDC
12	Nb-Logic Common

UPM Pin Assignments	
1	120V HOT
2	120V HOT
3	INLET VALVE
4	120V NEUTRAL
5	BIAC A2
6	GATE TRIAC
7	NOT USED
8	NOT USED
9	NOT USED
10	NOT USED
11	DUMP VALVE R/W/WHIPPER
12	GEARMOTOR #1
13	DUMP VALVE L2/W/WHIPPER
14	GEARMOTOR #2
15	DUMP VALVE R3/W/WHIPPER
16	GEARMOTOR #3

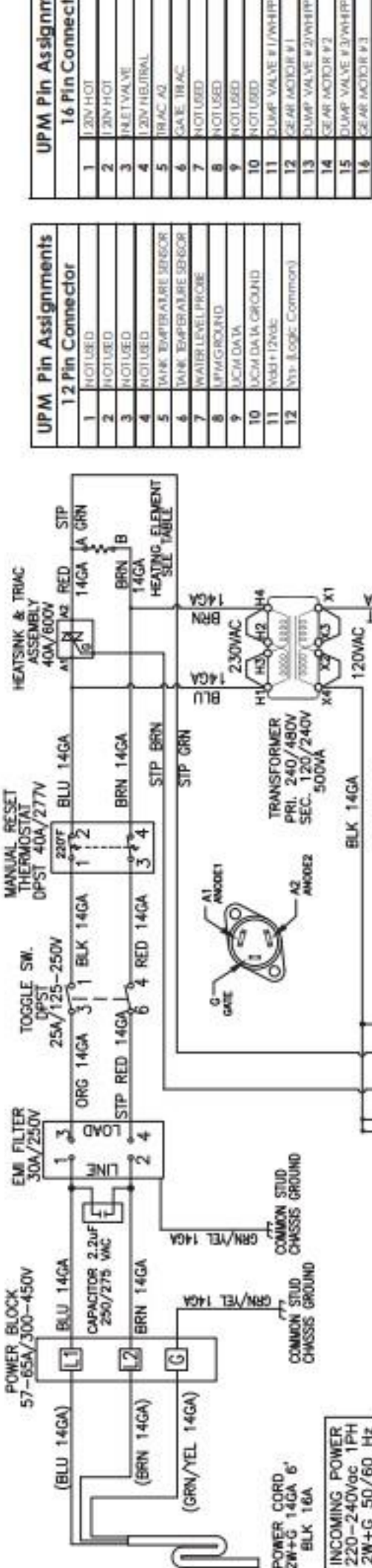


UCM Pin Assignments	
1	UCM DATA
2	UCM DATA GROUND
3	Nb-Logic Common
4	VOISH 12VDC
5	120VAC NEUTRAL
6	NOT USED
7	NOT USED
8	120VAC HOT



ELECTRICAL RATING TABLE							
Model	Voltage V	Amps A	Watts W	Hertz Hz	# of Conductor Wires	Phase	# of Tank Elements
PGT3E4	220	11.0	2424	50/60	2	1	1
PGT3E900	220	12.2	2700				
PGT3E6	230	11.5	2650				
PGT3E055	230	12.8	2951				
PGT3E6	240	12.0	2885				
PGT3E900	240	13.4	3216				

4-WIRE 20GA COMMUNICATION CABLE



UPM Pin Assignments

12 Pin Connector		16 Pin Connector			
1	NOT USED	1	120V HOT		
2	NOT USED	2	120V HOT		
3	NOT USED	3	HEAT VALVE		
4	NOT USED	4	120V NEUTRAL		
5	TEMP. SENSOR	5	TRAC A2		
6	WATER LEVEL PROBE	6	SAE TRAC		
7	WATER LEVEL PROBE	7	NOT USED		
8	UPM GROUND	8	NOT USED		
9	UCM DATA	9	NOT USED		
10	UCM DATA GROUND	10	NOT USED		
11	120V+120Vdc	11	DUMP VALVE #1/WHIPPER		
12	(Vss - Logic Common)	12	GEAR MOTOR #1		
		13	DUMP VALVE #2/WHIPPER		
		14	GEAR MOTOR #2		
		15	DUMP VALVE #3/WHIPPER		
		16	GEAR MOTOR #3		

UPM Pin Assignments

12 Pin Connector		16 Pin Connector			
1	NOT USED	1	120V HOT		
2	NOT USED	2	120V HOT		
3	NOT USED	3	HEAT VALVE		
4	NOT USED	4	120V NEUTRAL		
5	TEMP. SENSOR	5	TRAC A2		
6	WATER LEVEL PROBE	6	SAE TRAC		
7	WATER LEVEL PROBE	7	NOT USED		
8	UPM GROUND	8	NOT USED		
9	UCM DATA	9	NOT USED		
10	UCM DATA GROUND	10	NOT USED		
11	120V+120Vdc	11	DUMP VALVE #1/WHIPPER		
12	(Vss - Logic Common)	12	GEAR MOTOR #1		
		13	DUMP VALVE #2/WHIPPER		
		14	GEAR MOTOR #2		
		15	DUMP VALVE #3/WHIPPER		
		16	GEAR MOTOR #3		

UCM Pin Assignments

8 Pin Connector	
1	UCM DATA
2	UCM DATA GROUND
3	(Vss - Logic Common)
4	120Vdc NEUTRAL
5	NOT USED
6	NOT USED
7	NOT USED
8	120Vdc HOT

ELECTRICAL RATING TABLE

Model	Voltage V	Amp A	Watts W	Hertz Hz	# of Conductor Wires	Phase	# of Tank Elements
PCG13Ex	220	17.0	3700				
PCG13E900	220	32.2	2700				
PCG13E955	230	17.6	4044	50/60	2	1	1
PCG13Ex	240	18.3	4400				
PCG13E900	240	33.4	3220				

4-WIRE 20GA COMMUNICATION CABLE

