



G3 PRIMO CAPPUCINO SYSTEMS TROUBLESHOOTING GUIDE



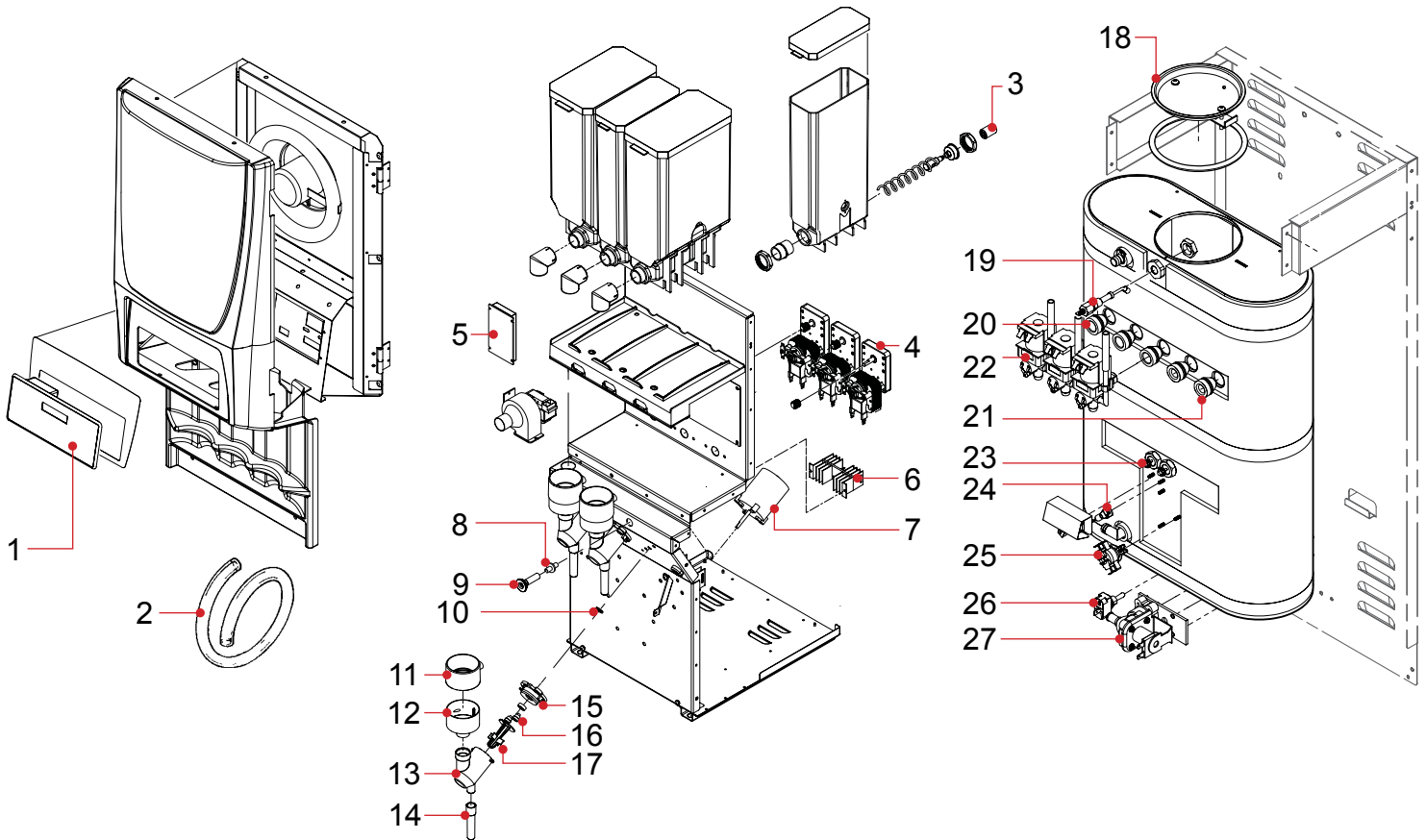
MODELS: PCGT3, PCGT4, PCGT5, PCGT6

PCGT3 PARTS IDENTIFICATION

FRONT VIEW

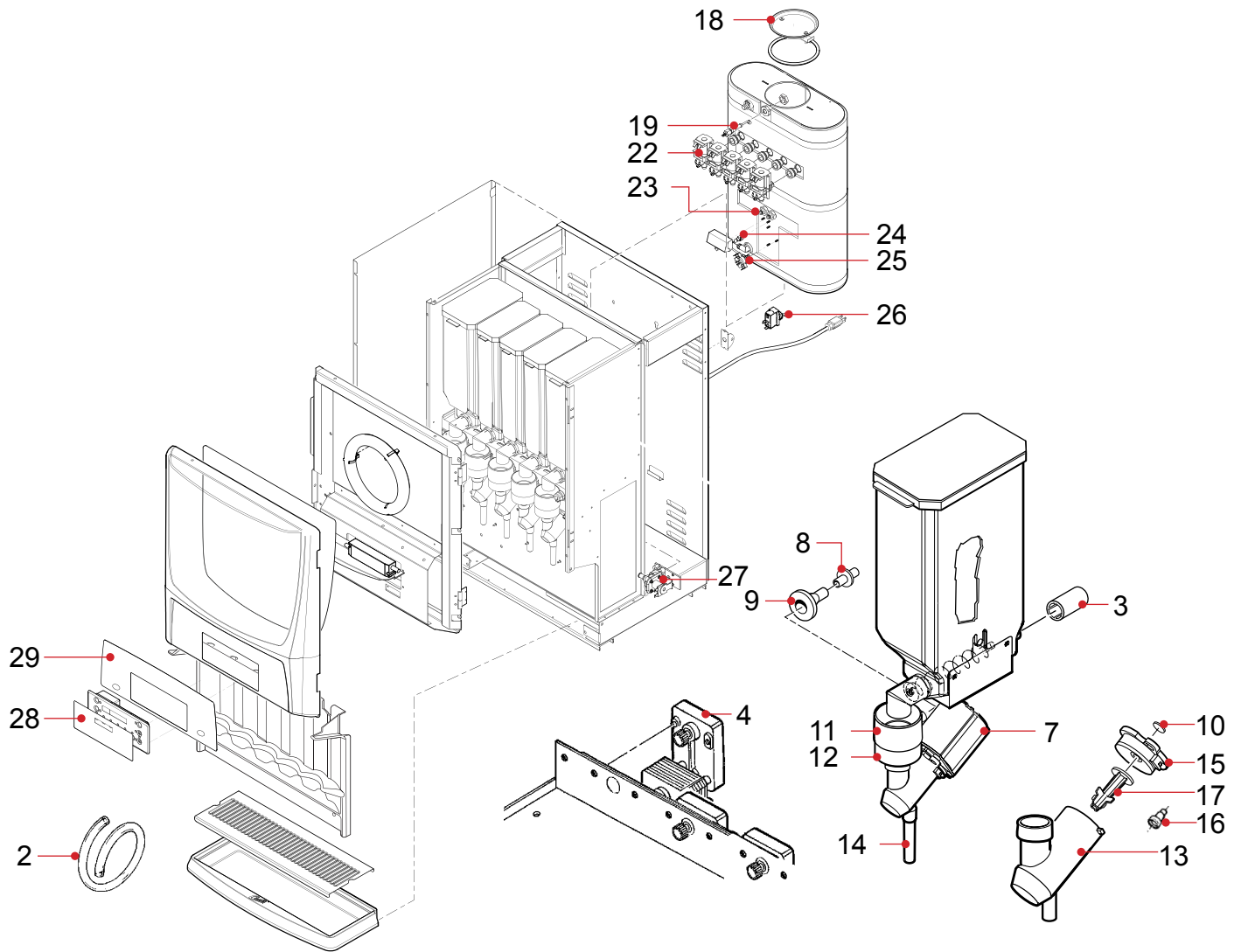
CHASSIS VIEW

HEATING TANK VIEW



PART #	DESCRIPTION	PART #	DESCRIPTION
1. WC-37126	KIT, UCM BOARD & LABEL PCGT3	15. WC-37118	KIT, WHIPPER PLATE (3/PKG)
2. WC-5310	TUBING, 5/16" ID x 1/8" W SILICONE	16. CA-1024-05	PILLAR, LOCATION BLACK
3. WC-37054	SOCKET, GEAR	17. CA-1008-07K	KIT, PROPELLER WHIPPER 6/PKG OFFSET BLD
4. WC-37174	KIT, GEAR MOTOR & GEAR	18. WC-37008	KIT, TANK LID ROUND
5. WC-780	CONTROL, POWER MODULE CORK BREAK	19. WC-5502-01	KIT, PROBE, ASSY WATER LEVEL W/HEX FITTING, O-RING & NUT
6. WC-6193-0	HEAT SINK ASSEMBLY	20. WC-2627	BUSHING, CONICAL
7. WC-3739	WHIPPING MOTOR	21. WC-2630	BUSHING, CONICAL BLIND
8. CA-1095	CONNECTOR, ORIFICE WATER	22. WC-3734	KIT, DUMP VALVE 120V 12W
9. CA-1011-05	BULKHEAD, WATER FITTING	23. WC-904-04	HEATING ELEMENT 1600W 120V W/JMNUIT
10. WC-43791	RING, MOTOR SHAFT PLASTIC	24. WC-1438-101	SENSOR, TEMPERATURE TANK
11. CA-1005-03	STEAM TRAP	25. WC-523	THERMOSTAT, MNL RESET 120/240V 25A
12. CA-1009-03	MIXING BOWL	26. WC-102	SWITCH, TOGGLE NON-LIT 25A 120/240VAC
13. CA-1006-06	CHAMBER, WHIPPER OFFSET PCGTs	27. WC-826L	VALVE, INLET 1GPM 120V 10W
14. CA-1037-3Y	TUBE, EXTENSION YELLOW		

PCGT4/5/6 PARTS IDENTIFICATION



PART #	DESCRIPTION	PART #	DESCRIPTION
1. WC-37126	KIT, UCM BOARD & LABEL PCGT3	18. WC-37008	KIT, TANK LID ROUND
2. WC-5310	TUBING, 5/16" ID x 1/8" W SILICONE	19. WC-5502-01	KIT, PROBE, ASSY WATER LEVEL W/HEX FITTING, O-RING & NUT
3. WC-37054	SOCKET, GEAR	20. WC-2627	BUSHING, CONICAL
4. WC-37174	KIT, GEAR MOTOR & GEAR	21. WC-2630	BUSHING, CONICAL BLIND
5. WC-780	CONTROL, POWER MODULE CORK BREAK	22. WC-3734	KIT, DUMP VALVE 120V 12W
6. WC-6193-0	HEAT SINK ASSEMBLY	23. WC-904-04	HEATING ELEMENT 1600W 120V W/JMNUT
7. WC-3739	WHIPPING MOTOR	24. WC-1438-101	SENSOR, TEMPERATURE TANK
8. CA-1095	CONNECTOR, ORIFICE WATER	25. WC-523	THERMOSTAT, MNL RESET 120/240V 25A
9. CA-1011-05	BULKHEAD, WATER FITTING	26. WC-102	SWITCH, TOGGLE NON-LIT 25A 120/240VAC
10. WC-43791	RING, MOTOR SHAFT PLASTIC	27. WC-826L	VALVE, INLET 1GPM 120V 10W
11. CA-1005-03	STEAM TRAP	28. WC-37127	KIT, UCM BOARD & LABEL PCGT4
12. CA-1009-03	MIXING BOWL	WC-37128	KIT, UCM BOARD & LABEL PCGT5
13. CA-1006-06	CHAMBER, WHIPPER OFFSET PCGTs	29. WC-39957	MEMBRANE CONTRL PANEL PCGT4/5
14. CA-1037-3Y	TUBE, EXTENSION YELLOW	WC-39753	MEMBRANE CONTRL PANEL PCGT4/5 (OLD)
15. WC-37118	KIT, WHIPPER PLATE (3/PKG)	30. CA-1039	O-RING, DUMP VALVE
16. CA-1024-05	PILLAR, LOCATION BLACK	31. CA-1135	LATCH ASSY, DOOR
17. CA-1008-07K	KIT, PROPELLER WHIPPER 6/PKG OFFSET BLD		

PARTS IMAGES

1



WC-37126

KIT, UCM BOARD & LABEL PGT3

2



WC-3734

TUBING, SILICONE

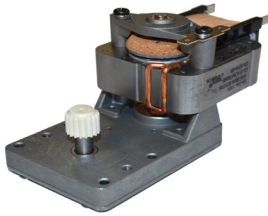
3



WC-37054

SOCKET, GEAR

4



WC-37174

KIT, GEAR MOTOR & GEAR

5



WC-780

CONTROL, POWER MODULE

6



WC-6193-0

HEAT SINK ASSEMBLY

7



WC-3739

WHIPPING MOTOR

8



CA-1095

CONNECTOR, ORIFICE WATER

9



CA-1011-05

BULKHEAD, WATER FITTING

10



WC-43791

RING, MOTOR SHAFT PLASTIC

11



CA-1005-03

STEAM TRAP

12



CA-1009-03

MIXING BOWL

13



CA-1006-06

CHAMBER, WHIPPER OFFSET

14



CA-1037-3Y

TUBE, EXTENSION YELLOW

15



WC-37118

KIT, WHIPPER PLATE

PARTS IMAGES

16



CA-1024-05
PILLAR, LOCATION BLACK

17



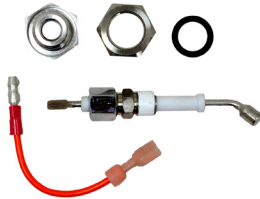
CA-1008-07K
KIT, PROPELLER WHIPPER OFFSET

18



WC-37008
KIT, TANK LID ROUND

19



WC-5502-01
KIT, PROBE ASSY

20



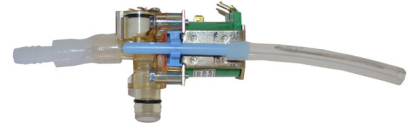
WC-2627
BUSHING, CONICAL

21



WC-2630
BUSHING, CONICAL BLIND

22



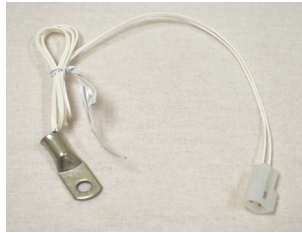
WC-3734
KIT, DUMP VALVE

23



WC-904-04
HEATING ELEMENT

24



WC-1438-101
SENSOR, TEMPERATURE TANK

25



WC-523
THERMOSTAT, MNL RESET

26



WC-102
SWITCH, TOGGLE NON-LIT

27



WC-826L
VALVE, INLET

28



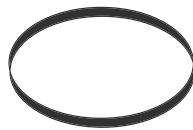
WC-37127 / WC-37128
KIT, UCM BOARD & LABEL PCGT4/5

29



WC-39957 / WC-39753 (OLD)
MEMBRANE, CONTROL PANEL PCGT4/5

30



CA-1039
O-RING, DUMP VALVE

31



CA-1135
LATCH ASSY, DOOR

TROUBLESHOOTING INSTRUCTIONS

POWER ISSUES

The LED light on the front door are not lit:

- 1 Verify that the panel breaker is turned on. If okay, proceed STEP 2.
- 2 Verify that the voltage at the receptacle is correct: L1-N = 120 vac, N-G = 0 vac. if okay, proceed to STEP 3.
- 3 Verify that the toggle switch is turned on. Verify 120 vac on both terminals.

No: Replace Toggle Switch
Yes: Proceed to STEP 4
- 4 Verify that there is 120 vac on both sides of the Reset Thermostat, measuring between L1-N.

No: Replace Reset Thermostat
Yes: Proceed to #5

- 5 Verify that there is 12 vac between pins 1 & 2 on the 14 pin connector at the UPM and 120 vac between pins 1 & 2 on the 12 pin connector at the UPM.

No: Replace transformer.
Yes: Verify 5 vdc between pins 1 & 2 on the 4 pin connector at the Smart Card Module.

No: Replace UPM
Yes: Replace Smart Card Module

HEATING ISSUES

Not heating:

Is the water level in the tank in contact with the water level probe? If not, See TANK FILLING ISSUES.

Yes: Verify 120 volts at the Heating Element. If 120 volts is present, replace the Heating Element.

No: Verify 120 volts to the Triac Gate: If yes, replace Triac. If no, replace UPM.

If the LCD does not read "Heating" verify correct Temperature programming, then replace the Temperature Sensor.

i **If the water in the tank is not in contact with the probe – refer to tank filling issues.**
The unit will not heat until the water in the tank has contacted the probe.

Overheating:

Does the LCD read "Heating"?

Yes: Verify that resistance on temp Sensor reads less than 10k ohm. Verify correct mounting to tank. Replace sensor.

No: Check Triac for continuity between A1 & A2. If continuity is present, replace Triac. If there is no continuity, replace the UPM.

TANK FILLING ISSUES

Not filling:

Is the water turned on?

Yes: Verify 120 volts at inlet valve coil

Yes: Replace Inlet Valve

No: Remove Orange wire from the Water Level Probe. Does the Tank Fill?

Yes: Replace Water Level Probe.

No: Replace UPM

Overfilling:

Does the tank continue to fill after the toggle switch has been turned off ?

Yes: Replace Water Inlet Valve.

No: Remove the Orange wire from the Water Level Probe and connect it to ground. Does the tank stop filling?

Yes: Replace the Water Level Probe

No: Replace the UPM

DISPENSING ISSUES

Powder not being dispensed on any selection:

Verify that the wiring to the Auger Motors is correct. If the wiring is correct and unbroken, replace the UCM UCM (shorted wash button) or Membrane Control Panel (PCGT 4/5/6).

Powder not being dispensed from a single selection:

Verify that the canister has sufficient product.

Verify that the Auger Motor has 120 volts.

If yes, replace the Auger Motor. If the Auger Motor does not have 120 Volts, replace the UPM.

Not dispensing water on any selection:

Refer to **TANK FILLING ISSUES**.

Whipper Motor not running:

Verify that the propeller and chamber are assembled correctly (not binding).

Verify that the Whipper Motor has 120 volts. If yes, replace the whipper motor. If the Whipper Motor does not have 120 volts, verify that the wiring is correct and unbroken. If so, replace the UPM.

i If the Dispense valve on the same selection is operating, the UPM does not need to be replaced. The Whipper Motor and Dispense valve are powered together by the UPM.



Wilbur Curtis Co., Inc.

6913 Acco Street, Montebello CA 90640
Customer Service: 800.421.6150 | 323.837.2300
csrassistance@wilburcurtis.com
Tech Support: 800.995.0417
www.wilburcurtis.com