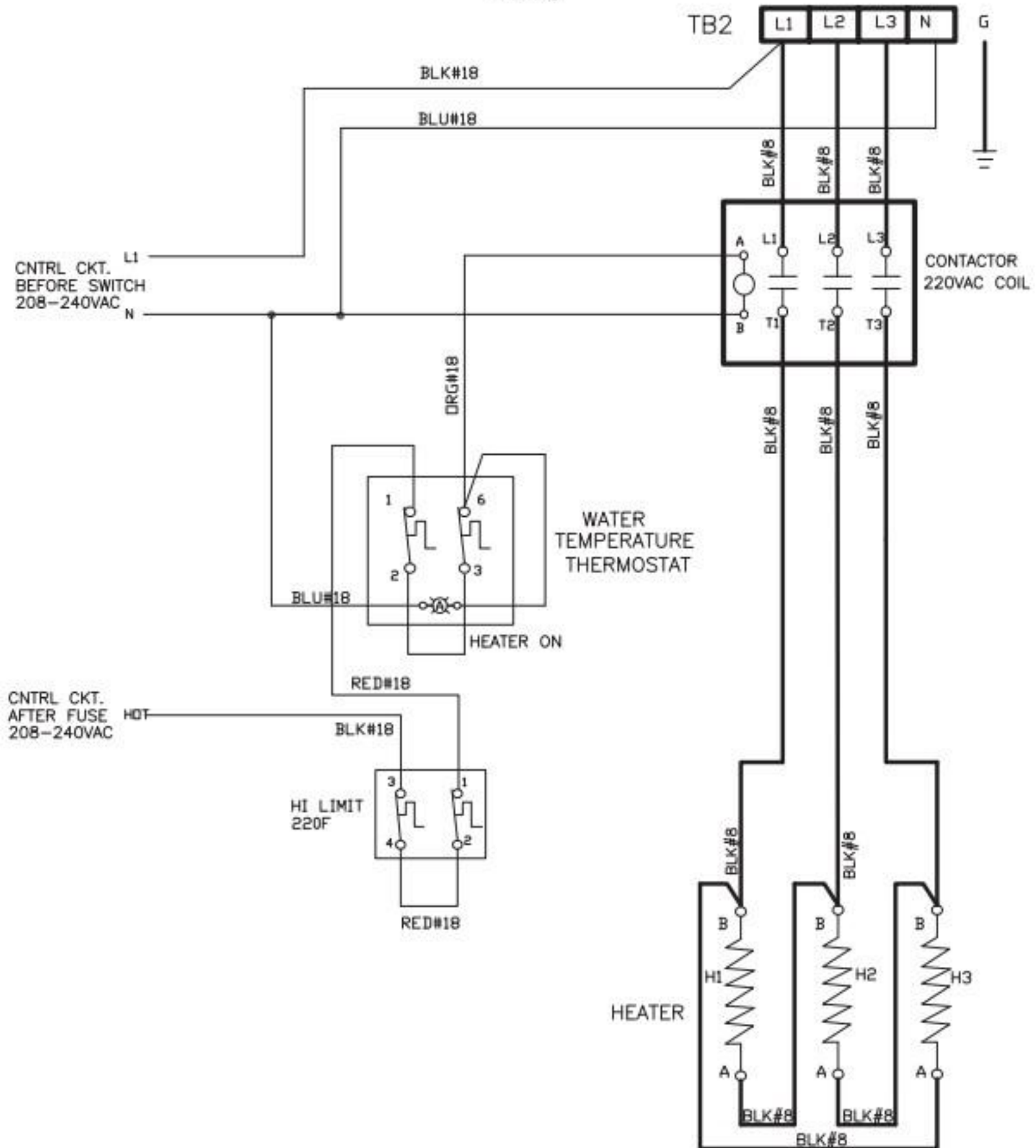
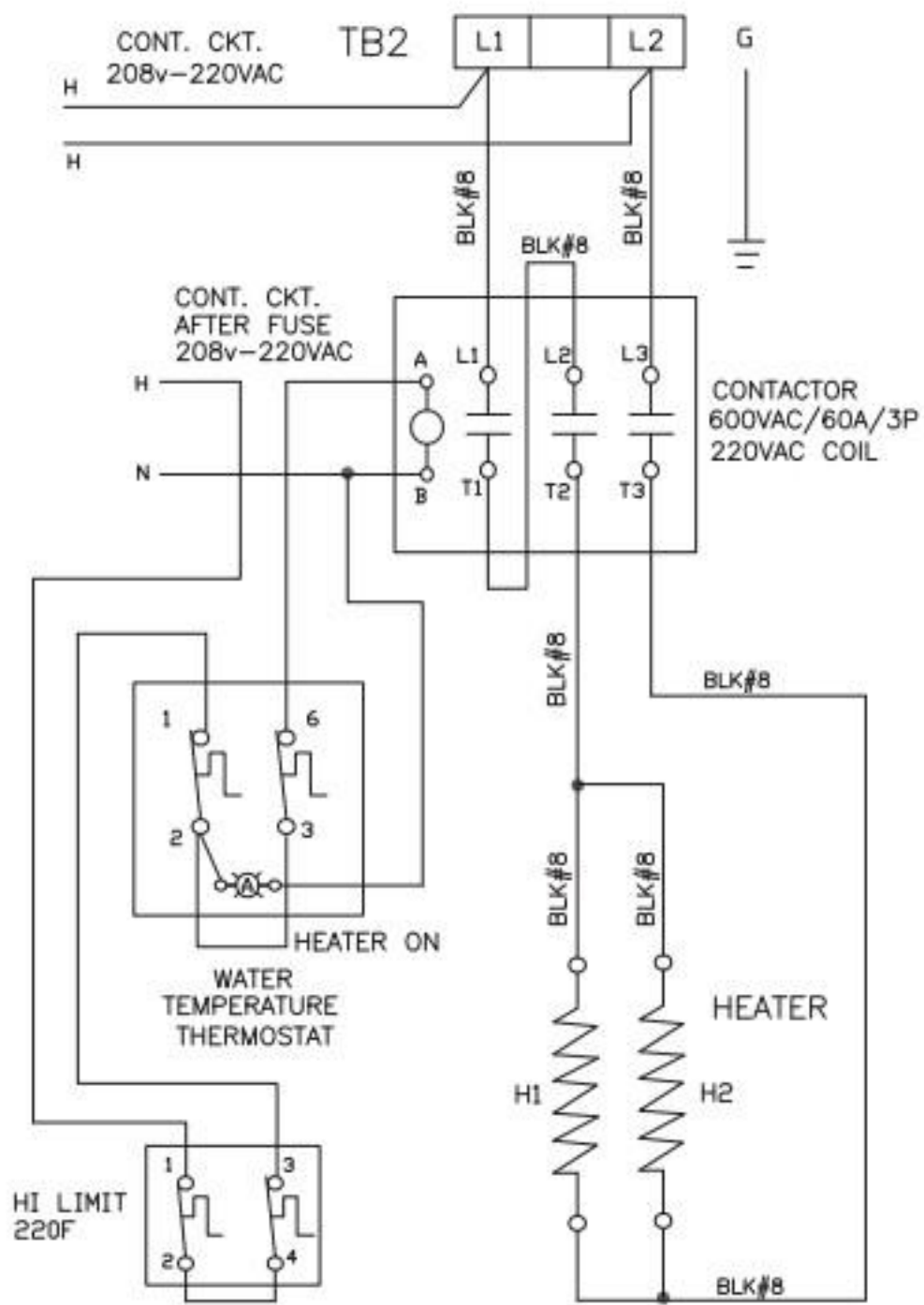
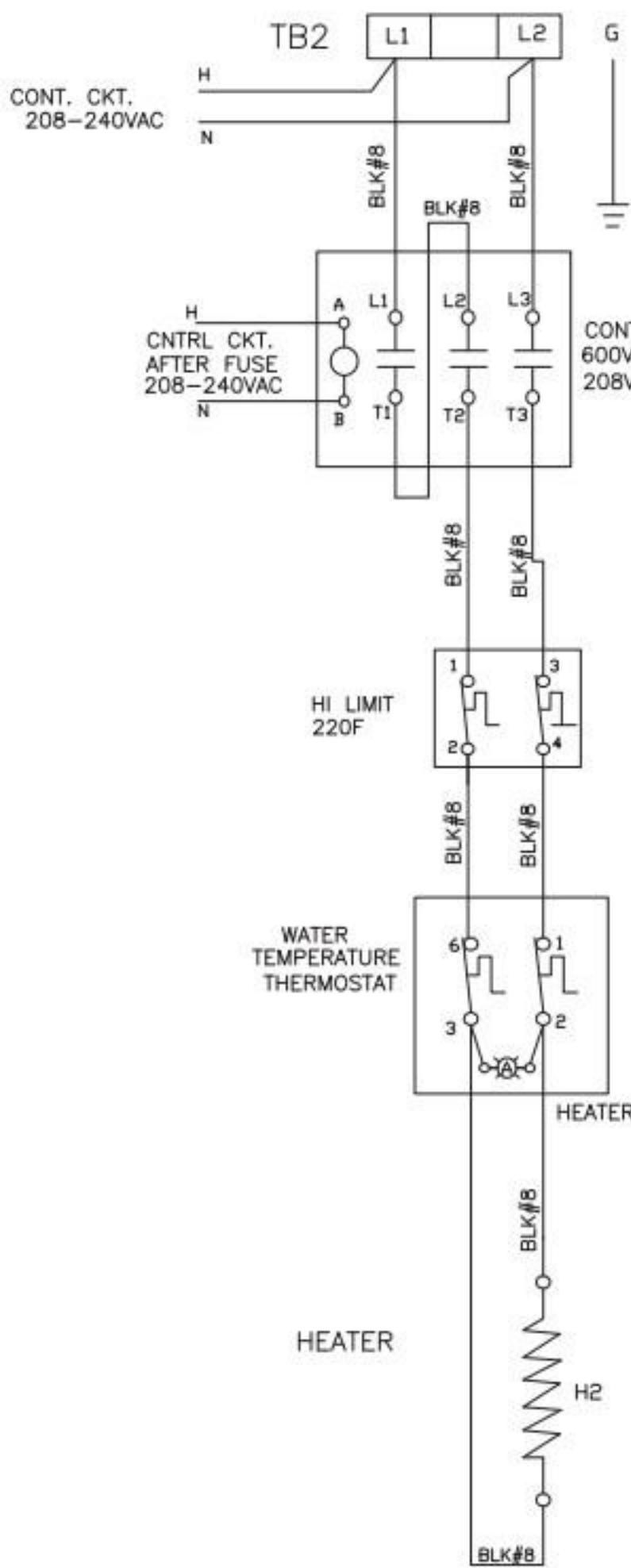


Configuration #5
Heater Circuit
380-480VAC, 3PHASE
4W+G





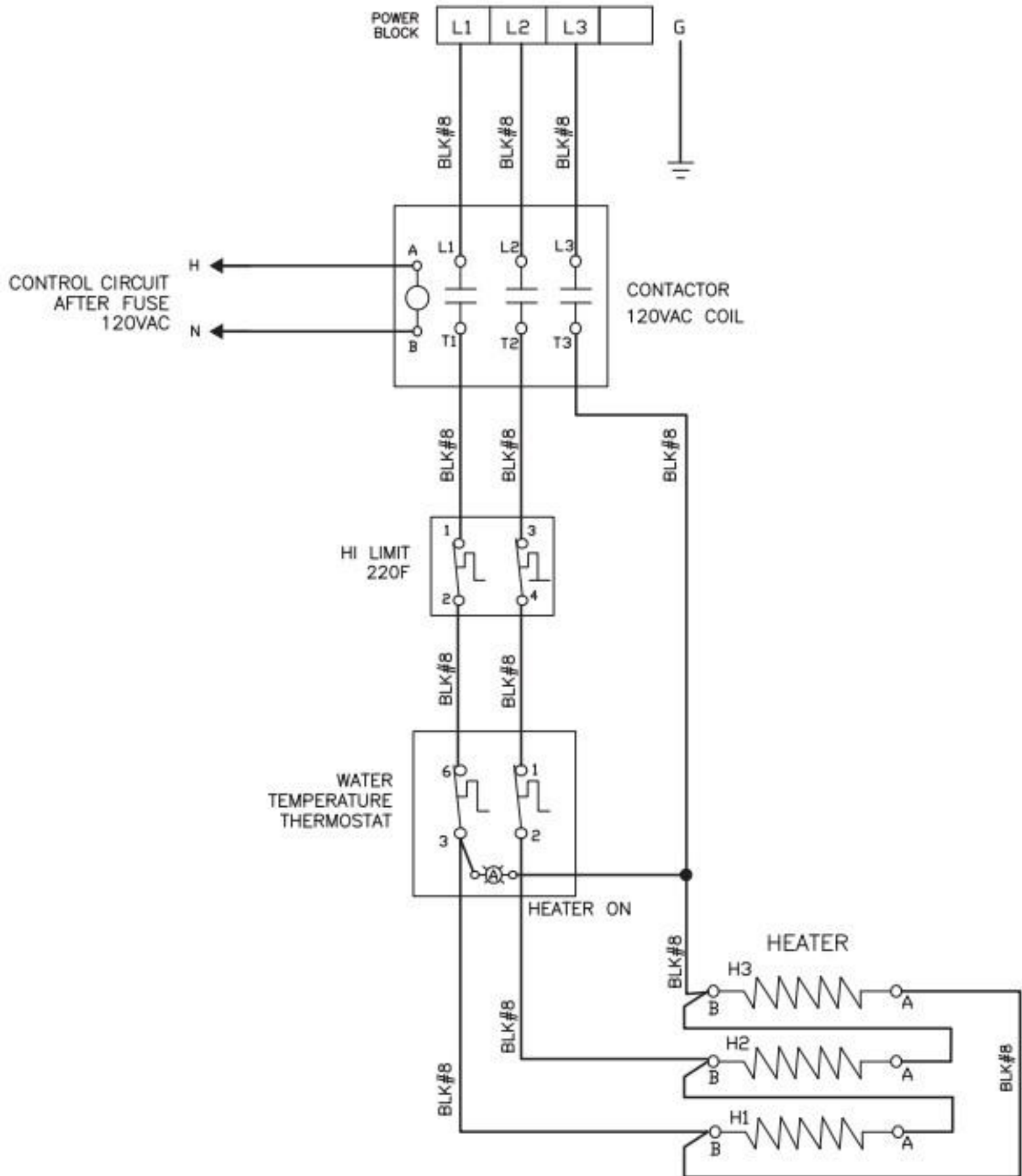
Configuration #11
 Heater Circuit
 Single Phase 2W+G



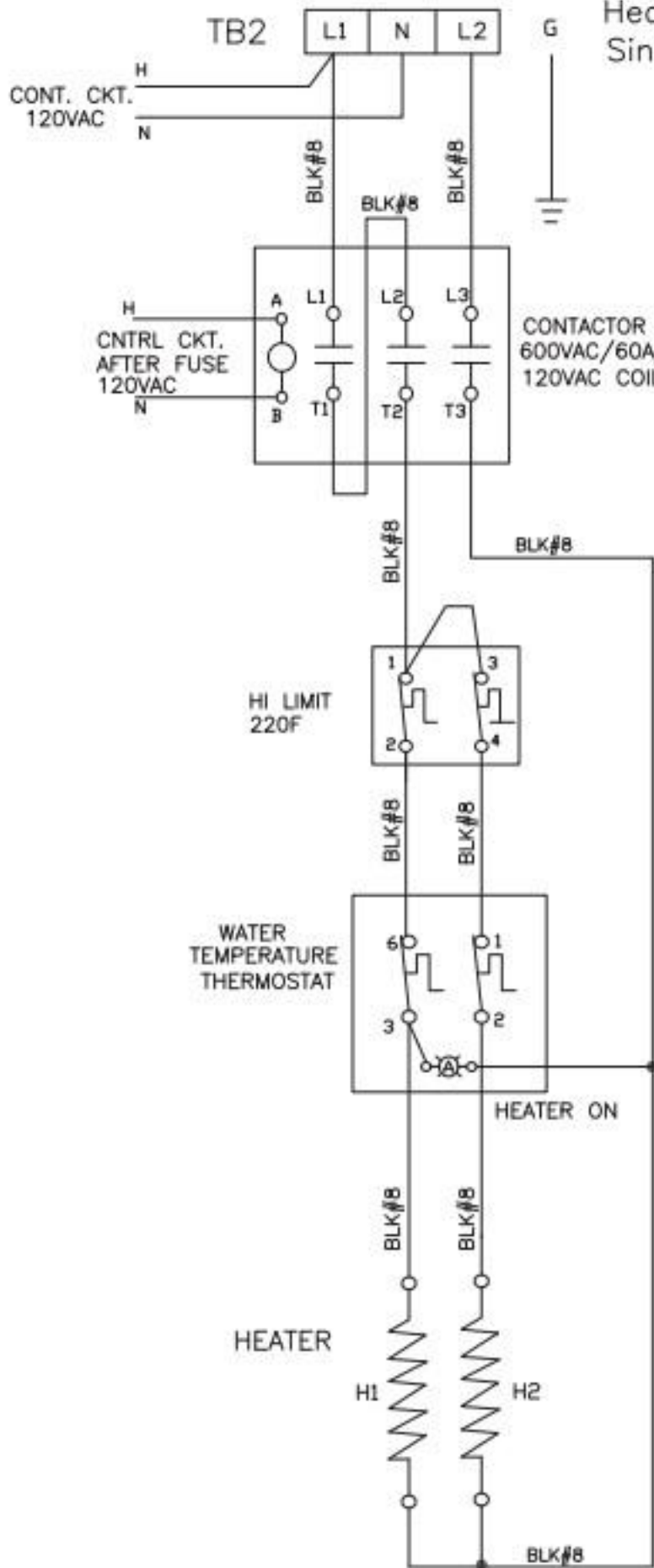
VOLTAGE:	SEE BOM
WATTAGE:	SEE BOM

TITLE: LADD

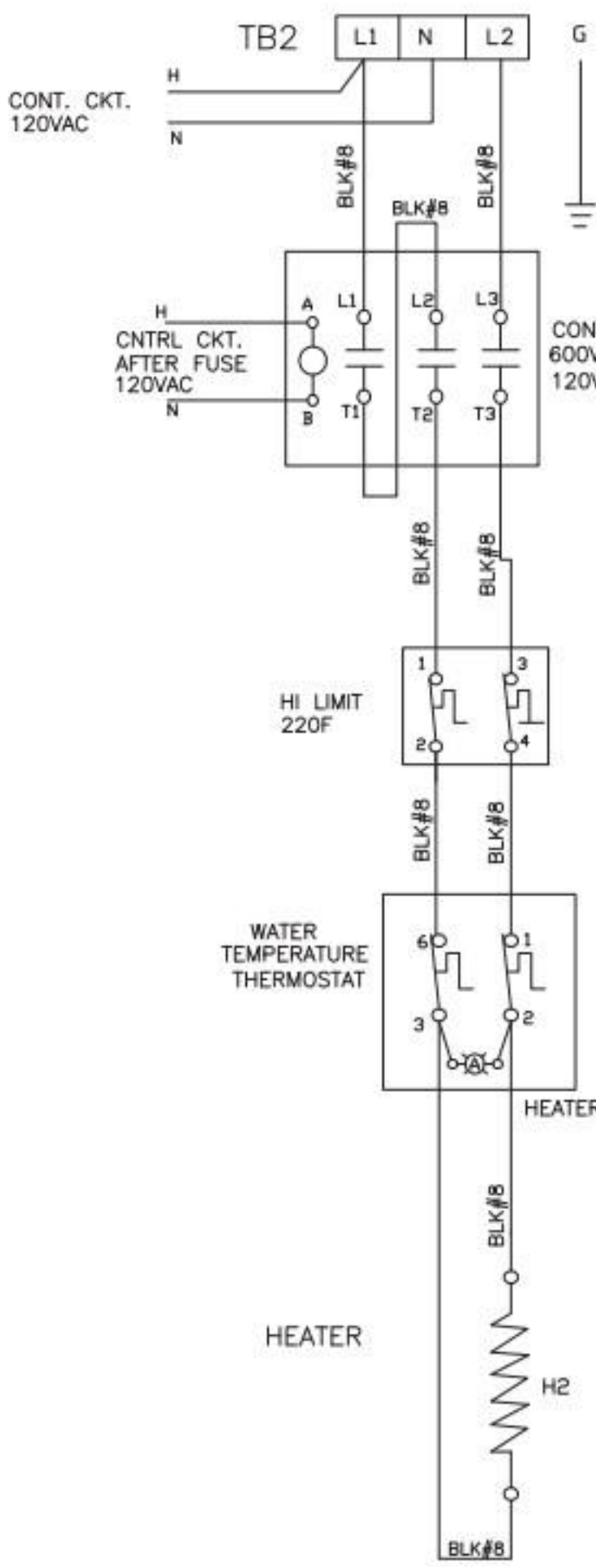
Configuration #12
Heater Circuit
3PHASE 3W+G
With 120VAC POWER CORD CNTRL CIRCUIT



Configuration #1
Heater Circuit
Single Phase 3W+G



Configuration #10
 Heater Circuit
 Single Phase 3W+G



VOLTAGE: SEE BOM

WATTAGE: SEE BOM

TITLE: LAD

