



# RU/URN Series Automatic Coffee Urn



Style Varies, RU-300 Shown

## READ AND SAVE THESE INSTRUCTIONS

**NOTICE TO INSTALLER:** Please leave this booklet with the machine.

Key Features/Specifications/System Requirements..... FS38

Important Safeguards..... IS2

Installation Instructions (General).....II2

Installation Instructions (Leveling, Water Supply, Electrical).....II7

Operating Instructions .....OI31

Cleaning Instructions (Urn)..... CI4

Cleaning Instructions (Faucet/Gauge)..... CI18

Rough-In Drawings..... RD44

Illustrated Parts/Recommended Parts..... IP69

Electrical Schematic (Control Box, All) .....ES51

Electrical Schematic (Domestic, Single Phase, RU-150-12).....ES76

Electrical Schematic (Domestic, Single Phase, RU-225-12, RU-300-12, RU-600-12).....ES77

Electrical Schematic (Domestic, Single Phase, RU-1000-12).....ES78

Electrical Schematic (Domestic, Three Phase) .....ES79

Electrical Schematic (Export, Single Phase, RU-150-62).....ES80

Electrical Schematic (Export, Single Phase, RU-300-63, RU-600-63).....ES81

Electrical Schematic (Export, Three Phase).....ES82

Troubleshooting Guide (Control Circuit) .....TG20

Troubleshooting Guide (Heating Circuit).....TG30

Product Warranty.....PW1

**Contact Information**

**Wilbur Curtis Co., Inc.**

6913 Acco Street | Montebello, CA 90640 US  
 Phone: 323-837-2300 | Toll Free: 800-421-6150  
 Email: [csrcassistance@wilburcurtis.com](mailto:csrcassistance@wilburcurtis.com) | Web: [www.wilburcurtis.com](http://www.wilburcurtis.com)

For the latest specifications and information go to [www.wilburcurtis.com](http://www.wilburcurtis.com)  
 Toll Free: 800-995-0417 | Monday - Friday 5:30 A.M. - 4:00 P.M. PT  
 Email: [techsupport@wilburcurtis.com](mailto:techsupport@wilburcurtis.com)

Due to continued product improvement, the products illustrated/photographed in this guide may vary slightly from the actual product.

## Key Features

- Automatic refill during brew cycle.
- Thermostatically controlled for near-instant recovery.
- Closed-lid brewing creates superior flavor and full coffee aroma.
- Swing-spray head evenly saturates coffee grounds for complete extraction.

## Specifications (Selected Models)

### Electrical Supply Requirements

MODEL #	DESCRIPTION	PHASE	VOLTS	AMPS	HEATING CONFIG	WIRE	WATTS	HERTZ	GAL/HR	CAPACITY
RU-150-12	Single 3 Gallon	1 PH	220 V	21.1 A	2 X 2500 W	3W + G	5000	50/60 Hz	13.0	1 X 3 Gal.
RU-150-20	Single 3 Gallon, 3 Phase	3 PH	220 V	13.8 A	3 X 1750 W	3W + G	5200	50/60 Hz	13.0	1 X 3 Gal.
RU-225-12	Single 6 Gallon	1 PH	220 V	31.0 A	2 X 3500 W	3W + G	7000	50/60 Hz	15.0	1 X 6 Gal.
RU-225-20	Single 6 Gallon, 3 Phase	3 PH	220 V	20.0 A	3 X 2500 W	3W + G	7500	50/60 Hz	15.0	1 X 6 Gal.
RU-300-12/URN-300-12	Twin 3 Gallon	1 PH	220 V	27.3 A	2 X 3000 W	3W + G	6000	50/60 Hz	13.0	2 X 3 Gal.
RU-300-20/URN-300-20	Twin 3 Gallon, 3 Phase	3 PH	220 V	20.0 A	3 X 2500 W	3W + G	7500	50/60 Hz	13.0	2 X 3 Gal.
RU-600-12/URN-600-12	Twin 6 Gallon	1 PH	220 V	45.5 A	2 X 5000 W	3W + G	10,000	50/60 Hz	30.0	2 X 6 Gal.
RU-600-20/URN-600-20	Twin 6 Gallon, 3 Phase	3 PH	220 V	27.6 A	3 X 3500 W	3W + G	10,500	50/60 Hz	30.0	2 X 6 Gal.
RU-1000-12/URN-1000-12	Twin 10 Gallon	1 PH	220 V	45.5 A	2 X 5000 W	3W + G	10,000	50/60 Hz	30.0	2 X 10 Gal.
RU-1000-20/URN-1000-20	Twin 10 Gallon, 3 Phase	3 PH	220 V	27.5 A	3 X 3500 W	3W + G	10,500	50/60 Hz	30.0	2 X 10 Gal.

### EXPORT

RU-150-62	Single 3 Gallon	1 PH	220 V	23.0 A	2 X 2500 W	2W + G	5000	50/60 Hz	13.0	1 X 3 Gal.
RU-150-91	Single 3 Gallon, 3 Phase	3 PH	380 V	10.0 A	3 X 3000 W	4W + G	6600	50/60 Hz	13.0	1 X 3 Gal.
RU-300-63	Twin 3 Gallon	1 PH	220 V	36.0 A	2 X 4000 W	2W + G	8000	50/60 Hz	15.0	2 X 3 Gal.
RU-300-91	Twin 3 Gallon, 3 Phase	3 PH	380 V	18.5 A	3 X 4000 W	4W + G	12,000	50/60 Hz	15.0	2 X 3 Gal.
RU-600-63	Twin 6 Gallon	1 PH	220 V	45.5 A	2 X 5000 W	2W + G	10,000	50/60 Hz	30.0	2 X 6 Gal.
RU-600-91	Twin 6 Gallon, 3 Phase	3 PH	380 V	18.5 A	3 X 4000 W	4W + G	12,000	50/60 Hz	30.0	2 X 6 Gal.
RU-1000-91	Twin 10 Gallon, 3 Phase	3 PH	380 V	18.5 A	3 X 4000 W	4W + G	12,000	50/60 Hz	30.0	2 X 10 Gal.

### Dimensions

MODEL #	HEIGHT	WIDTH	DEPTH	SHIP WEIGHT	SHIP CUBE	WATER CONNECTOR	WATER PRESSURE	MIN. FLOW RATE
RU-150-12	29.25"	23.75"	16.50"	78.0 lbs	11.62 cu ft	1/4" flare	20 - 90 psi	1.0 gpm
RU-150-20	29.25"	23.75"	16.50"	78.0 lbs	11.62 cu ft	1/4" flare	20 - 90 psi	1.0 gpm
RU-225-12	32.50"	23.50"	16.50"	85.0 lbs	13.33 cu ft	1/4" flare	20 - 90 psi	1.0 gpm
RU-225-20	32.50"	23.50"	16.50"	85.0 lbs	13.33 cu ft	1/4" flare	20 - 90 psi	1.0 gpm
RU-300-12/URN-300-12	28.40"	32.60"	18.50"	95.0 lbs	13.85 cu ft	1/4" flare	20 - 90 psi	1.0 gpm
RU-300-20/URN-300-20	28.40"	32.60"	18.50"	95.0 lbs	13.85 cu ft	1/4" flare	20 - 90 psi	1.0 gpm
RU-600-12/URN-600-12	32.50"	38.00"	17.00"	120.0 lbs	19.37 cu ft	1/4" flare	20 - 90 psi	1.0 gpm
RU-600-20/URN-600-20	32.50"	38.00"	17.00"	120.0 lbs	19.37 cu ft	1/4" flare	20 - 90 psi	1.0 gpm
RU-1000-12/URN-1000-12	29.50"	38.00"	17.00"	146.0 lbs	23.74 cu ft	1/4" flare	20 - 90 psi	1.0 gpm
RU-1000-20/URN-1000-20	29.50"	38.00"	17.00"	146.0 lbs	23.74 cu ft	1/4" flare	20 - 90 psi	1.0 gpm

### EXPORT

RU-150-62	29.25"	23.75"	16.50"	78.0 lbs	11.62 cu ft	1/4" flare	20 - 90 psi	1.0 gpm
RU-150-91	29.25"	23.75"	16.50"	78.0 lbs	11.62 cu ft	1/4" flare	20 - 90 psi	1.0 gpm
RU-300-63	28.40"	32.60"	18.50"	95.0 lbs	13.85 cu ft	1/4" flare	20 - 90 psi	1.0 gpm
RU-300-91	28.40"	32.60"	18.50"	95.0 lbs	13.85 cu ft	1/4" flare	20 - 90 psi	1.0 gpm
RU-600-63	32.50"	38.00"	17.00"	120.0 lbs	19.37 cu ft	1/4" flare	20 - 90 psi	1.0 gpm
RU-600-91	32.50"	38.00"	17.00"	120.0 lbs	19.37 cu ft	1/4" flare	20 - 90 psi	1.0 gpm
RU-1000-91	29.50"	38.00"	17.00"	146.0 lbs	23.74 cu ft	1/4" flare	20 - 90 psi	1.0 gpm

### Water Supply Requirements

**Symbols**



This is the safety alert symbol. It is used to alert you to potential physical injury hazards. Obey all safety messages that follow this symbol to avoid possible injury or death.



**DANGER** - Indicates a hazardous situation which, if not avoided, will result in death or serious injury.



**WARNING** - Indicates a hazardous situation which, if not avoided, could result in death or serious injury.



**CAUTION** - Indicates a hazardous situation which, if not avoided, could result in minor or moderate injury.



**NOTICE** - Indicates a situation which, if not avoided, could result in property damage.



**IMPORTANT** - Provides information and tips for proper operation.



**SANITATION REQUIREMENTS**



**WARNING** - This product can expose you to chemicals including Acrylamide and Bisphenol A (BPA), which are known to the State of California to cause cancer and birth defects or other reproductive harm. For more information visit [www.P65Warnings.ca.gov](http://www.P65Warnings.ca.gov).

**Important Safeguards/Conventions**



**WARNING:**

- Make sure that this appliance is installed and grounded according to the INSTALLATION INSTRUCTIONS by qualified personnel before attempting to use it. Failure to follow the INSTALLATION INSTRUCTIONS could result in personal injury or void the warranty.
- This appliance is designed for commercial use. Any service other than cleaning and preventive maintenance should be performed by an authorized Wilbur Curtis service technician.
- To reduce the risk of fire or electric shock, DO NOT open the service panels. There are no user serviceable parts inside.
- Keep hands, arms and other items away from hot surfaces of the unit during operation.
- Clean the appliance and any dispensers completely before using them for the first time according to the CLEANING INSTRUCTIONS. Clean them regularly as instructed in the CLEANING INSTRUCTIONS.
- Use this appliance only for its intended use, brewing/dispensing hot and/or cold beverages/water.
- This appliance is not intended for use by persons (including children) with reduced physical, sensory or mental capabilities or lack of experience and knowledge, unless they have been given supervision or instruction concerning use of the appliance by a person responsible for their safety. Children should be supervised to ensure that they do not play with the appliance.
- Avoid spillage onto the power (mains) connector.

## CE Requirements

- This appliance must be installed in locations where it can be overseen by trained personnel.
- For proper operation, this appliance must be installed where the temperature is between 5°C to 35°C.
- This appliance is not suitable for outdoor use.
- This appliance shall not be tilted more than 10° for safe operation.
- An electrician must provide electrical service as specified in conformance with all local and national codes. For safe use, an all-pole disconnection must be incorporated into the fixed wiring in accordance with the wiring rules outlined in clause 7.12.2 of IEC 60335 for meeting the minimum electrical safety of this standard.
- This appliance must not be cleaned by water jet.
- This appliance can be used by persons aged from 18 years and above if they have been given supervision or instruction concerning use of the appliance in a safe way and if they understand the hazards involved.
- Keep the appliance and its cord out of reach of children aged less than 18 years.
- Appliances can be used by persons 18 years and above with reduced physical, sensory or mental capabilities or lack of experience and knowledge if they have been given supervision or instruction concerning use of the appliance in a safe way and understand the hazards involved.
- Children under the age of 18 years should be supervised to ensure they do not play with the appliance.
- If the power cord is ever damaged, it must be replaced by the manufacturer or authorized service personnel with a special cord available from the manufacturer or its authorized service personnel in order to avoid a hazard.
- Machine must not be immersed for cleaning.
- Cleaning and user maintenance shall not be made by children unless they are older than 18 years and supervised.
- This appliance is intended to be used in household and similar applications such as:
  - staff kitchen areas in shops, offices and other working environments;
  - by clients in hotels, motels and other residential type environments;
  - bed and breakfast type environments.
- This appliance not intended to be used in applications such as:
  - farm houses
- Access to the service areas permitted by Authorized Service personnel only.
- The A-Weighted sound pressure level is below 70 dBA.

## Disposal of Equipment

- This product contains plastic, metal and electronic components and is considered e-waste. At the end of its life, this product must not be disposed of in normal household waste but can be instead delivered to a collection point for recycling electric and electronic appliances, consult with the local municipality for proper disposal guidelines.



**WARNING:** Installation is to be performed only by a qualified installer.



**WARNING:** Improper electrical connection may result in an electric shock hazard or damage the unit. This appliance must be properly grounded.



**NOTICE:** DO NOT connect this appliance to a hot water supply. The water inlet valve is not rated for hot water. Do not exceed the maximum water pressure stated in the **SPECIFICATIONS** section.



**IMPORTANT:** Observe all governing codes and ordinances.

## Installation Instructions

### Installation Requirements

- A secure surface capable of supporting the weight of the appliance.
- For units without an attached cord set attached or dual voltage units set up for use with 220 - 240 Volts: Appropriately sized, UL listed, grounding type power cable to meet the electrical specifications for the appliance. If you have questions about the correct cable size and length, consult a qualified installer. If the appliance will be hard wired to a junction box, the power cable must be long enough so that the unit can be moved for cleaning underneath.
- A grounded electrical connection to an electrical circuit that meets the electrical specifications of the appliance (see **SPECIFICATIONS**). The circuit must be protected by the appropriate sized circuit breaker. If you are not certain that the existing circuit meets the requirements for your unit, consult a licensed electrician.
- A water filtration system is required to maintain trouble-free operation. Wilbur Curtis Co., Inc. recommends a Wilbur Curtis approved water filter. See the Curtis Equipment Catalog for a full line of Wilbur Curtis approved water filters.
- Potable water supply line connection from the water filter capable of supplying the minimum flow rate required by the specifications. The water supply line must be able to connect to the flare fitting on the back of the unit. See the **SPECIFICATIONS** section for the correct size. The water line should also be capable of being controlled by a shut off valve. Do not connect the water line to a saddle valve or needle valve.

IEC requires the following water connection:

- 1 A quick disconnect or additional coiled tubing (at least two times the depth of the appliance) is required so that it can be moved for cleaning underneath.
- 2 This equipment is to be installed with adequate back-flow protection to comply with applicable federal, state and local codes.
- 3 Water pipe connections and fixtures directly connected to a potable water supply shall be sized, installed and maintained in accordance with federal, state and local codes.

The International Plumbing Code of the International Code Council and the Food and Drug Administration (FDA) Food Code manual, direct that this equipment must be installed with adequate back-flow prevention in compliance with federal, state and local codes. For units installed outside of the U.S.A., make sure that the installation is in compliance with the applicable plumbing/sanitation code for your area.

Installation

Prepare the Location

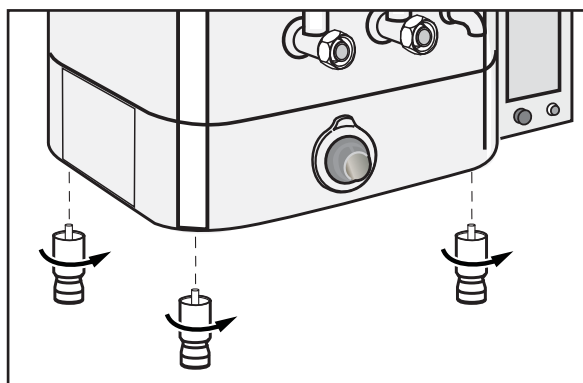


**WARNING:** DO NOT place the urn closer than 6 inches from the wall. The urn must have adequate cross-ventilation.

- 1 Determine the location. Make sure that the counter is capable of supporting at least 600 lbs. to allow for the urn weight at full capacity.

Level the Unit

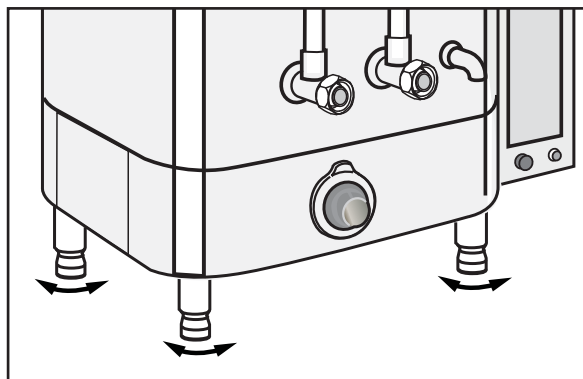
- 2 Remove the urn from the shipping carton and install the legs on the 4 corners. Screw them firmly into place on the bottom of the unit.



- 3 Position the urn on the countertop. Level it left to right and front to back by turning the feet at the bottom of the legs.

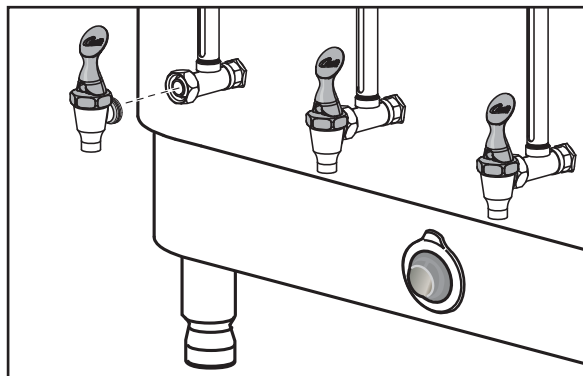


**WARNING:** Use the leveling legs to level the urn only. Do not use them to adjust the urn height. Do not extend them higher than necessary.



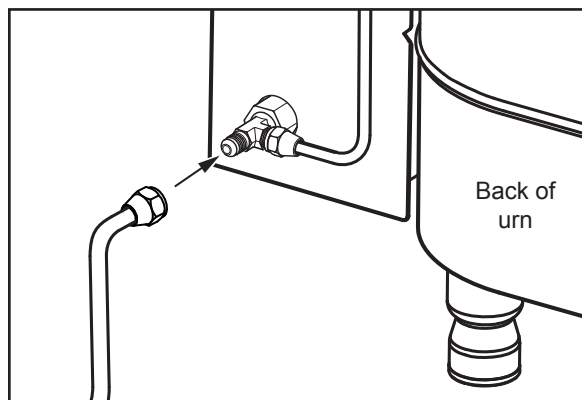
Install the Faucets

- 4 Install the faucets on the front of the unit. Be careful not to over tighten the faucet mounting nuts.



**Connect the Water Supply**

- 5 Flush the water supply line prior to installation to purge air and debris from the water filter and tubing.
- 6 Connect the water supply line to the flare fitting on the back of the urn control panel. Leave the water supply valve closed until power is connected.

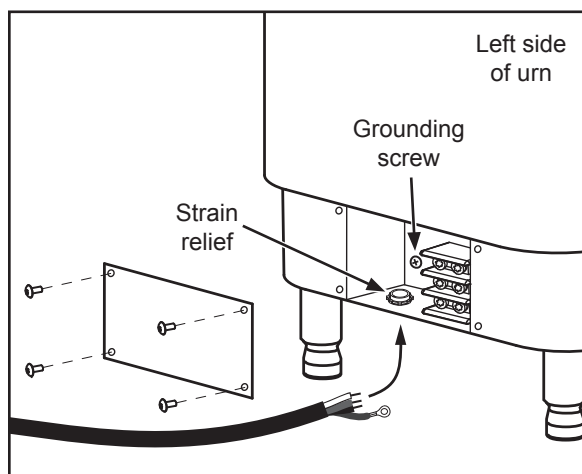


**Connect the Wiring**



**WARNING:** Turn off power to the junction box at the circuit breaker panel before connecting the power cable to the urn.

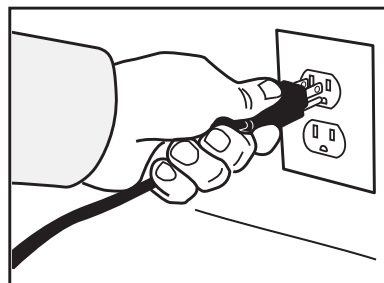
- 7 Remove the electrical access cover on the left side of the urn.
- 8 Loosen the strain relief under the electrical access hole and feed the power cable into the chassis.
- 9 Connect the wires on the power cable to the terminal block inside the unit. Use the proper wire gauge, plus 25%. Refer to the **SPECIFICATIONS** for the required urn wire gauge.
- 10 Connect the ground wire to the chassis grounding screw inside the unit.



**WARNING:** The body of the urn must be securely grounded with a separate grounding conductor and never with the neutral conductor of a single phase, 3 wire system.

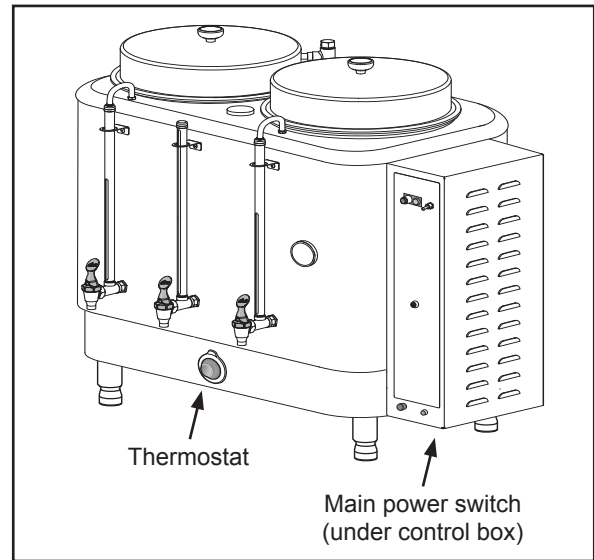
- 11 Tighten the strain relief.
- 12 Replace the access cover.
- 13 Connect the power cable wires to the terminals in the junction box. See the **ELECTRICAL SCHEMATIC** for the power supply requirements.
- 14 Some models are equipped with a second 120 Volt power cord. Connect it to a dedicated electrical outlet protected by a 15-20 Amp. circuit breaker.

continued...



**Power Up the Brewer**

- 15 Turn on the water supply valve.
- 16 Make sure that the circuit breaker(s) supplying power to the unit is on.
- 17 Turn the main power toggle switch on the bottom of the urn control box to the ON position. When you turn the toggle switch ON, the water jacket will start to fill. To expedite filling, you may open the emergency refill valve located on the back of the control panel. While the tank is filling, inspect the water supply lines for leaks. During the initial water tank fill, the initial brew and whenever the filter is replaced, you may hear the sounds of air being purged from the filter and water supply tubing.



**!** **NOTICE:** Do not forget to close the emergency refill valve once the water jacket has filled.

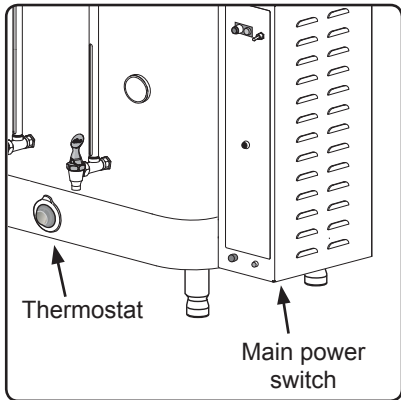
- 18 When the water jacket has filled, turn on the thermostat by turning the dial clockwise to the desired setting. Depending on the water temperature and the electrical specifications, the water typically requires 50 to 60 minutes to reach operating temperature. The thermostat indicator will light as the unit heats and turns off when the unit is at brew temperature.

**i** **IMPORTANT:** When operating the unit at elevations above 4000 ft. (1200 m), Curtis recommends that you contact our Technical Support department (800-995-0417), to determine if adjustments to the unit are necessary for your application.

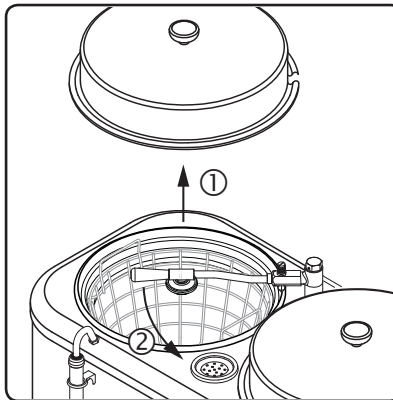
**Brewing Instructions**

**WARNING - TO AVOID SCALDING, AVOID SPLASHING.** Do not open the lid(s) while the brew light is on. Keep body parts clear of hot surfaces on the outside of the urn.

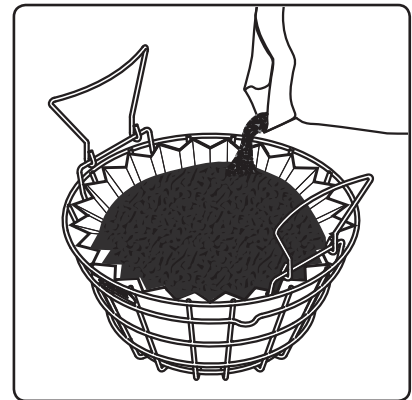
The urn is factory preset for optimal performance.



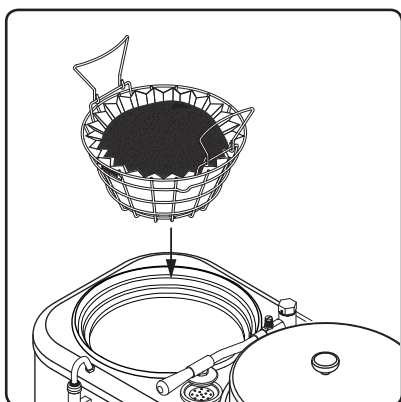
1 The brewer should be ON. Confirm this at the main power toggle switch, located on the bottom of the control box. The thermostat should be set to ON and the thermostat light should be OFF (indicating that the water is hot).



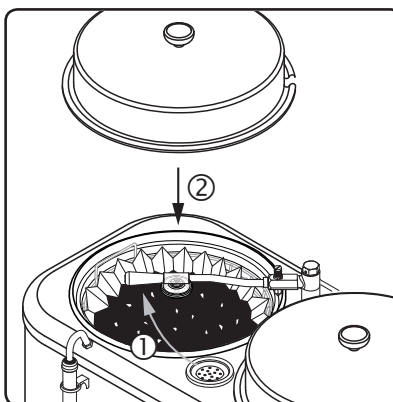
2 Remove the urn lid and rotate the spray arm to the side.



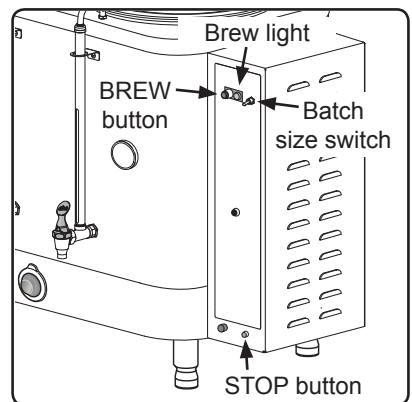
3 Remove the brew basket and insert a clean paper filter. Fill the basket with the proper amount of ground coffee. Make sure that the coffee is level in the filter.



4 Make sure that the liner is empty before brewing. Insert the filled brew basket into the top of the urn.



5 Rotate the spray head over the bed of coffee inside the filter and center it. Put the lid on top of the urn.



6 Make sure the batch size selector switch is in the desired position, then press the BREW button. Brewing will begin immediately. To stop brewing before the cycle is complete, press the STOP button.

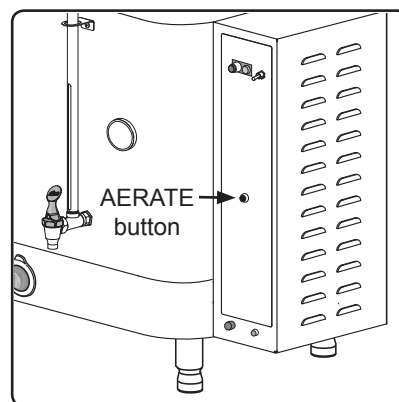
## Aeration

During brewing, the richer, thicker coffee tends to settle toward the bottom of the liner, while the weaker part of the mixture tends to move to the top. The aeration feature assures uniform mixing of the brewed coffee by pumping air into the liner(s) and mixing the coffee. The aeration pump comes on for 30 seconds automatically at the end of the brew cycle.

For best coffee taste, aerate the coffee manually once an hour.

### To manually aerate the coffee:

Push and hold the **AERATE** button on the control panel for 30 seconds. The air pump will aerate the coffee. On twin urn models, both sides aerate at the same time. Release the button to stop aeration.





**NOTICE** - Do not use cleaning liquids, compounds or powders containing acids or corrosives. These products promote corrosion and will pit the stainless steel. Never use abrasives to clean the unit(s). **USE OF THESE PRODUCTS WILL VOID THE WARRANTY.**

---

### Daily Cleaning - Urns

---



**WARNING:** Avoid injury. The cleaning instructions below involve cleaning hot surfaces with very hot water.

---

- 1 Clean the brewer liner(s). Drain any remaining coffee out of the liner(s). Run a brew cycle of fresh water. Spray the hot water into the liner(s), then thoroughly brush out with a long handled brush. Drain the water out of the liner(s), then repeat the proceeding cleaning procedure. After draining the second time, wipe down the liners with a clean towel. If the urn is not going to be used immediately, pour a gallon or two of fresh water inside each liner. Remember to drain off this water before making another brew.
- 2 Remove the wire baskets from the unit and wash with urn cleaner. Rinse thoroughly.
- 3 Clean the exterior. Turn off the main power toggle switch and allow the unit to cool. Wipe the exterior surfaces with a damp cloth to remove spills and debris. Turn power back on when done.

### Bi-Weekly Cleaning - Urns

The following cleaning process requires TABZ™ brand, Z95 Cleaning Tablets (Curtis PN WC-79000).

---



**WARNING:** Avoid injury. The cleaning instructions below involve cleaning hot surfaces with very hot water. After scouring, flush the entire system as instructed before running another brew cycle.

---

- 1 Be sure the water jacket is full of water at brewing temperature. Drop one (1) Z95 tablet into the water for each 1.5 gallons of liner capacity. Mix until the tablets are completely dissolved.
- 2 Scrub the inside of the liner cover(s) and the inside of the liner(s) with a long handled brush.
- 3 Allow the liners to soak at brewing temperature for five to ten minutes.
- 4 After soaking is complete, open all faucets on the unit to drain the cleaning solution.
- 5 After the cleaning solution has drained, fill the liner(s) with hot rinse water and drain.
- 6 Fill the liner(s) with hot rinse water a second time and drain.
- 7 Switch off power to the unit at the circuit breaker panel. Turn off the water supply. Drain the liner(s).
- 8 If the urn is not going to be used immediately, pour a gallon or two of fresh water into each liner. Remember to drain off this water before making another brew.

### Spray Head Cleaning - Weekly

Remove the spray head from the spray arm and clean it once a week using a mild solution of dish-washing detergent and warm water. Clean the spray heads more often in heavy lime areas.

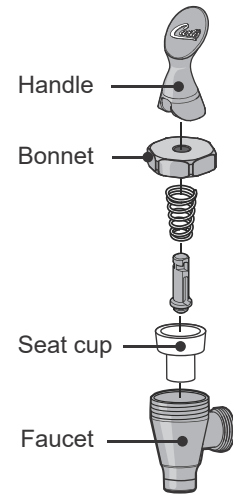
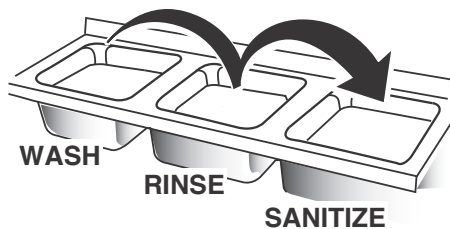
### Cleaning the Faucet and Sight Gauge - As Needed

The following cleaning process requires a mild solution of dish-washing detergent and warm water, and One-Pro Beverage Equipment Cleaner (Curtis PN WC-79001). Mix the One-Pro cleaner at a ratio of 1 oz. (28 g.) per 5 gal. (19 L) of hot water (122°F/50°C min.).

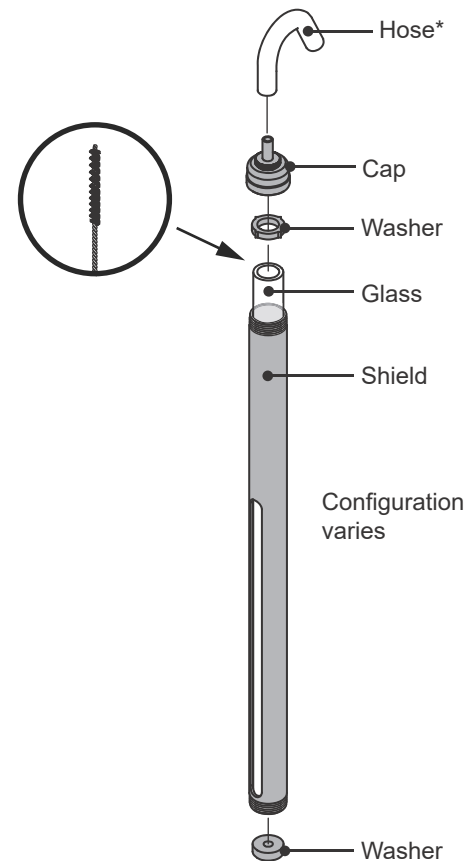
- 1 Unscrew the handle/bonnet assembly and remove. Inspect the seat cup for wear. Replace the seat cup if it is damaged.
- 2 Remove the hose on top of the gauge (if applicable) by pulling it up and off of the cap. Remove the gauge cap and the glass tube. Inspect the glass tube for cracks or chips.

**WARNING** - If the gauge glass is broken, carefully inspect and remove all traces of glass and insert a new glass tube, then thoroughly rinse out the faucet shank.

- 3 **Wash** - Wash the faucet and gauge parts in the detergent solution. Clean the glass tube with a gauge brush soaked with the detergent solution.
- 4 **Rinse** - Thoroughly rinse all parts with clean, warm water.
- 5 **Sanitize** - After rinsing, place the faucet and gauge parts in One-Pro solution, mixed as specified above, and allow them to soak for 15 minutes.
- 6 **Air Dry** - Remove the parts from the sanitizer, rinse thoroughly and allow them to air dry.
- 7 **Reassemble** - When dry, reassemble the handle/bonnet. Hand tighten the handle/bonnet onto the top of the faucet assembly. Reassemble the gauge.



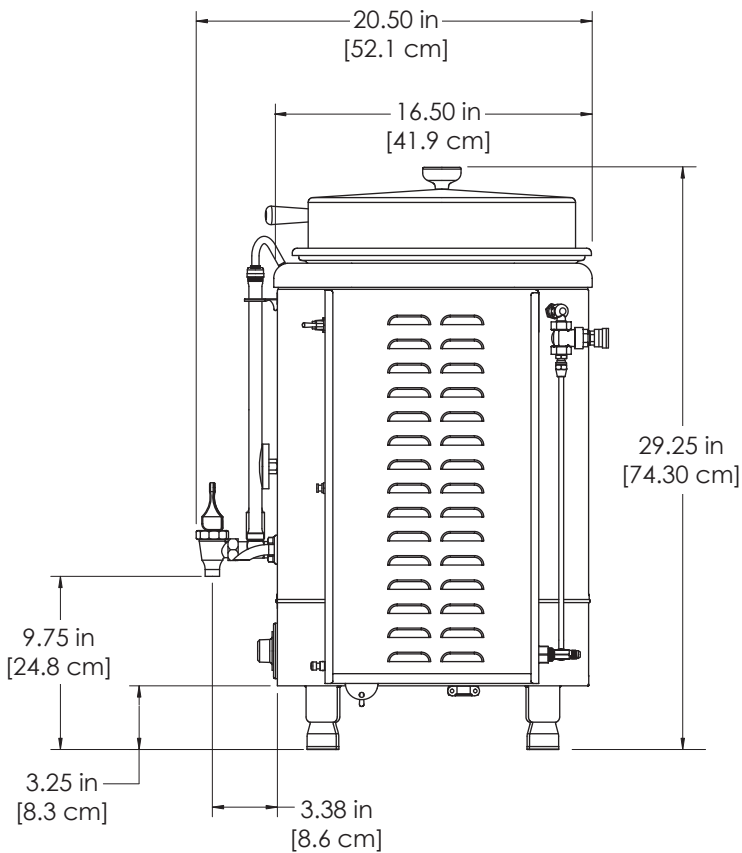
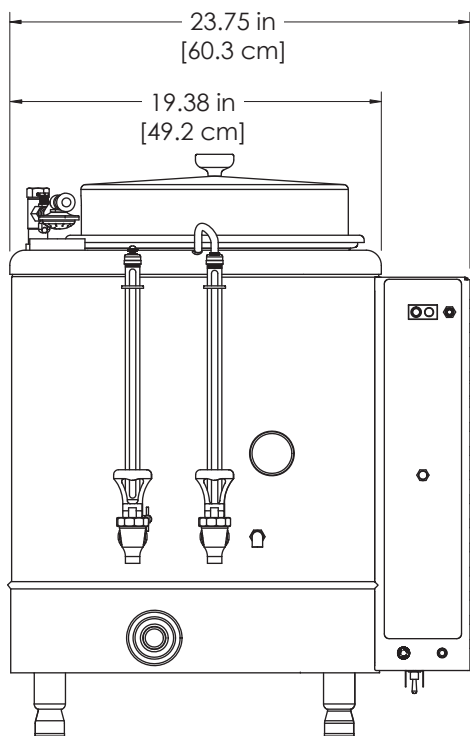
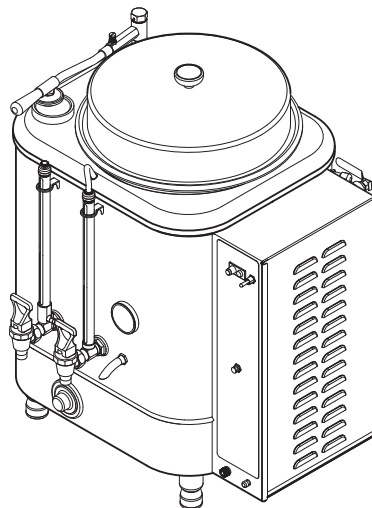
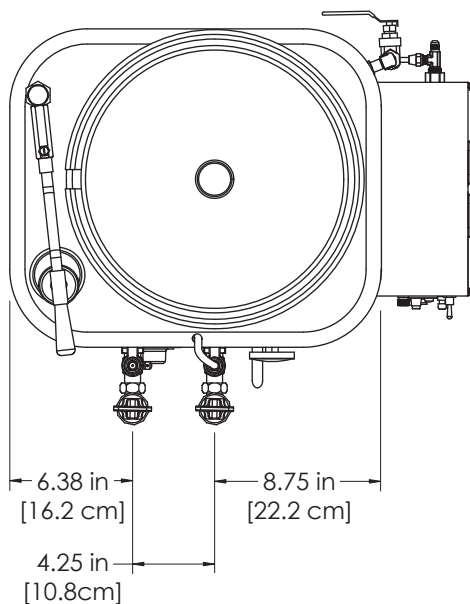
Faucet Disassembly



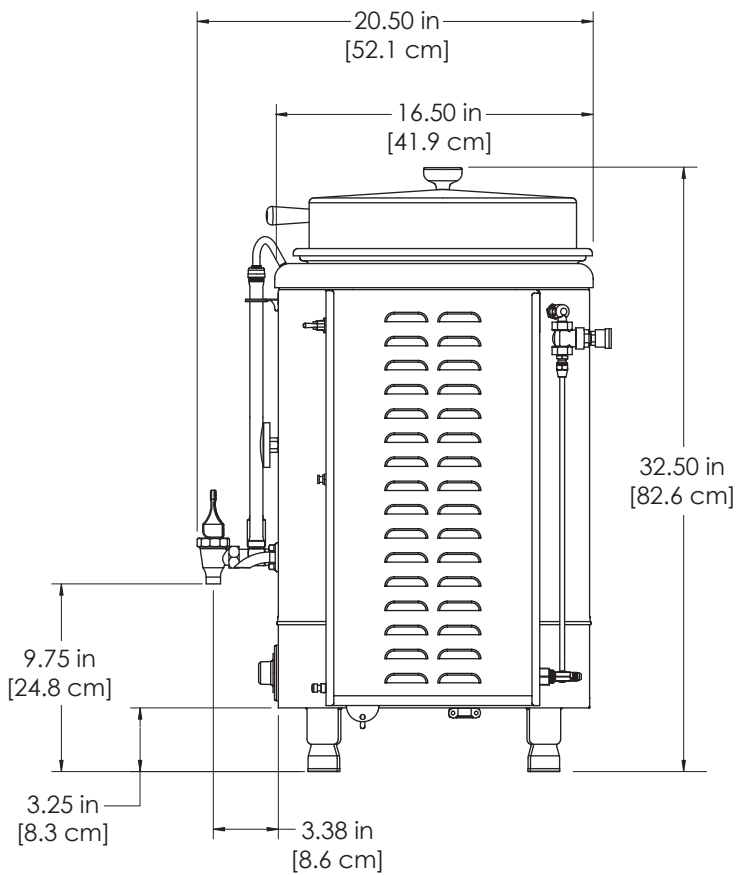
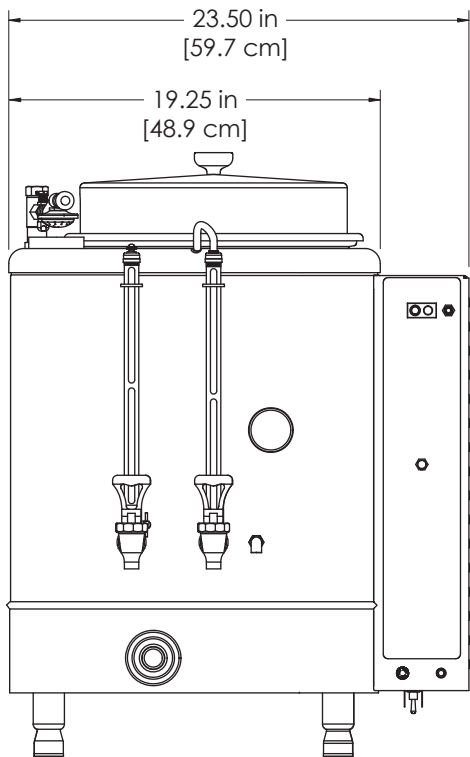
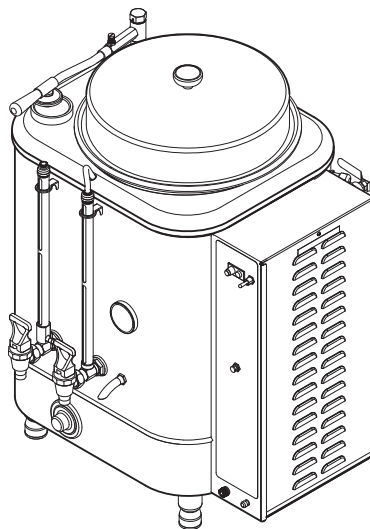
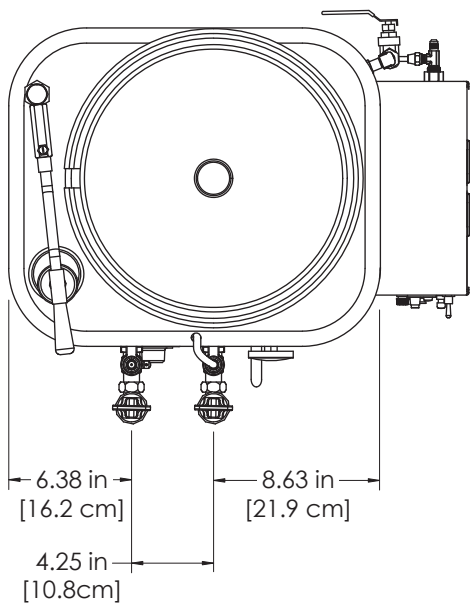
Sight Glass Disassembly

\* Hose used only on models with aeration feature

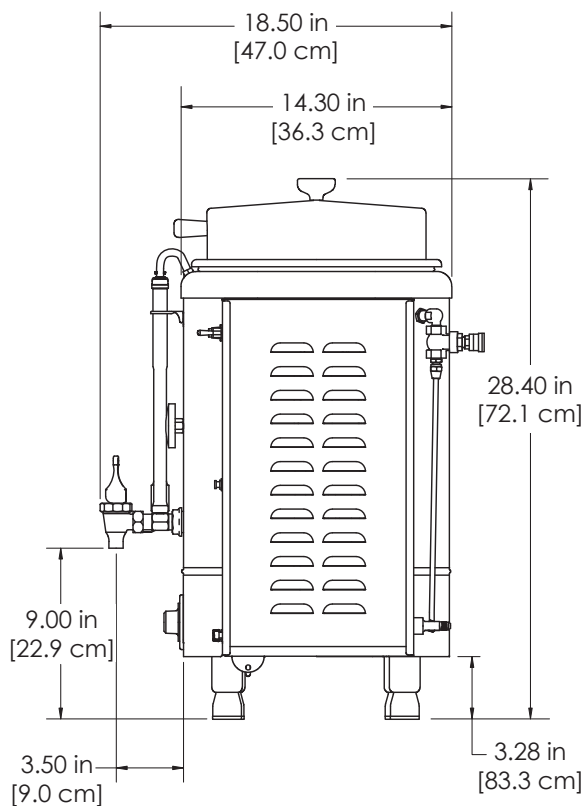
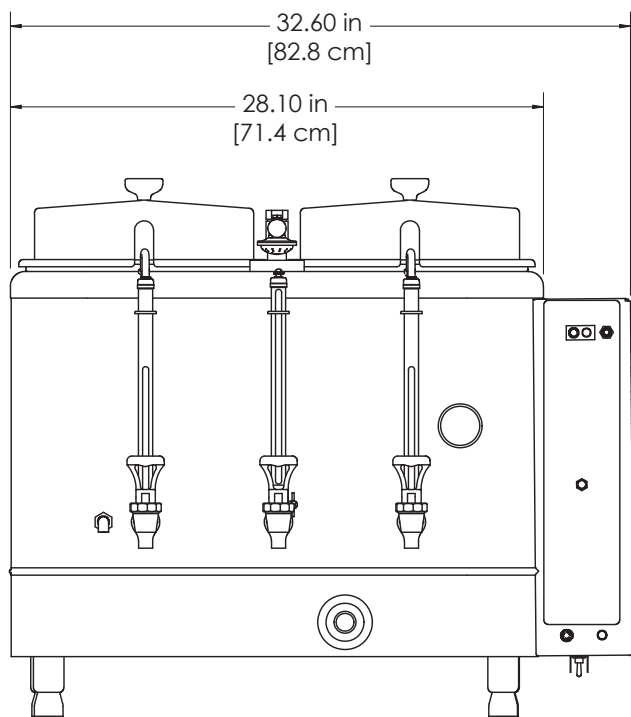
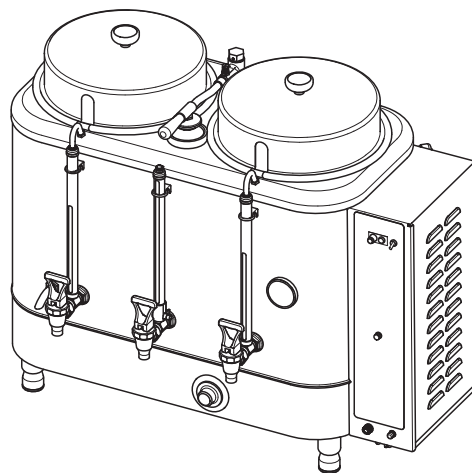
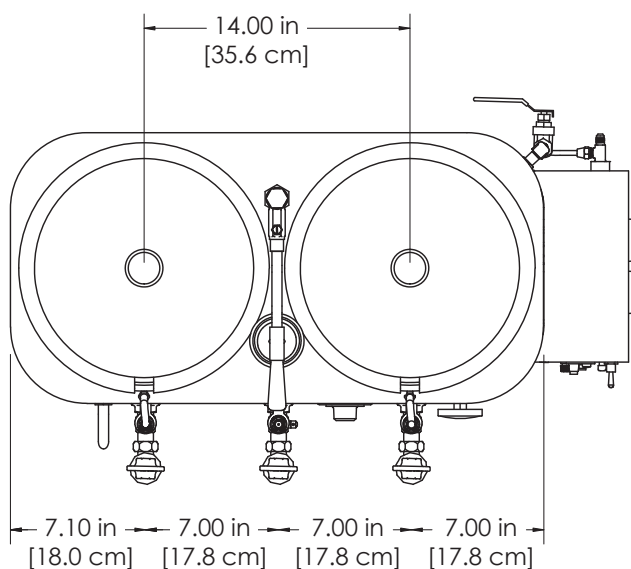
RU-150 Series



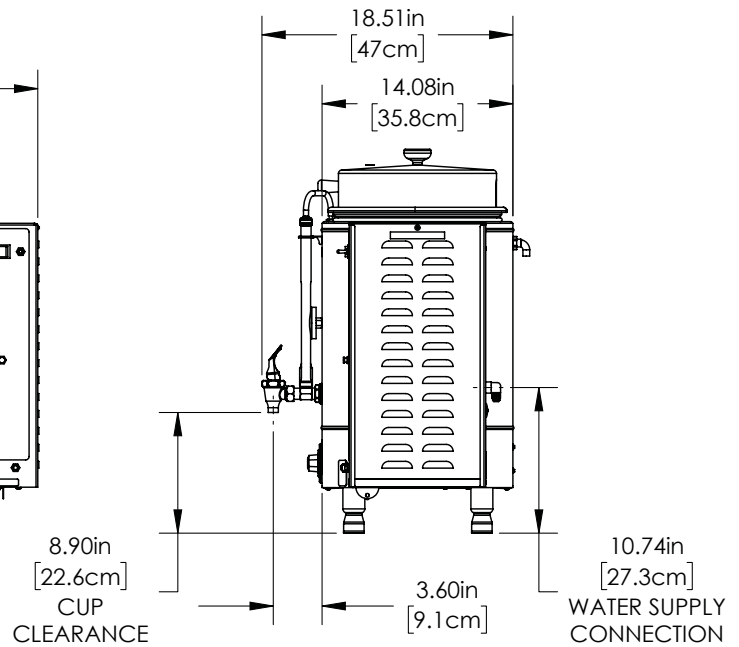
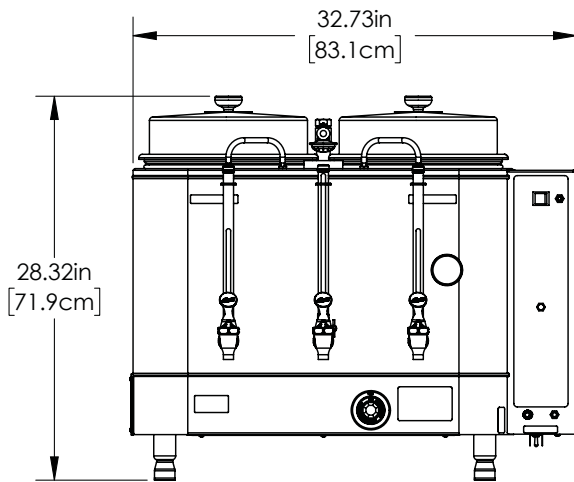
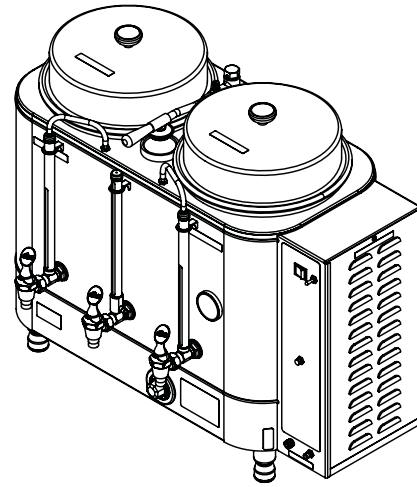
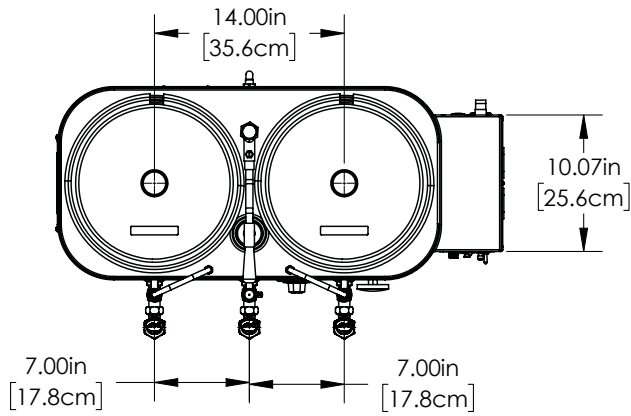
RU-225 Series



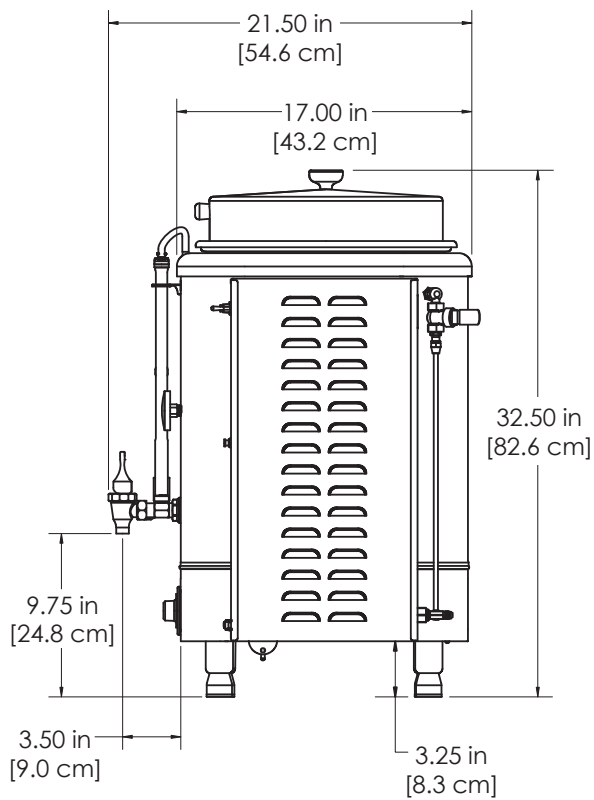
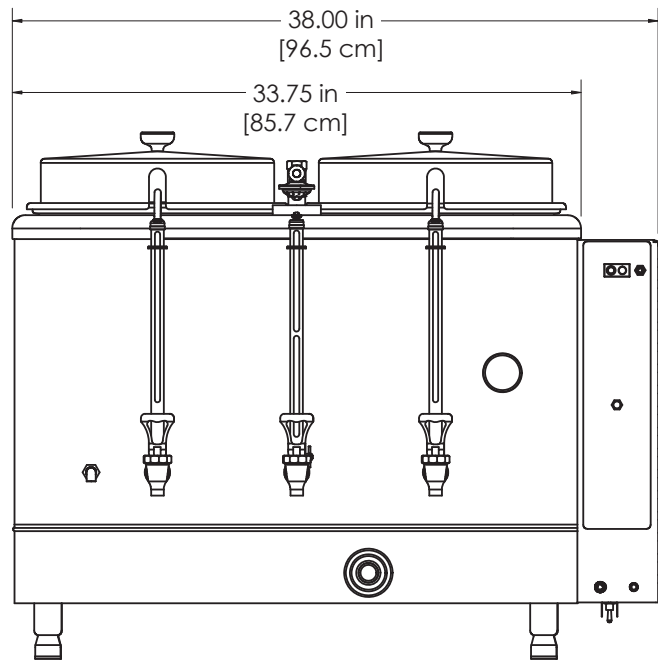
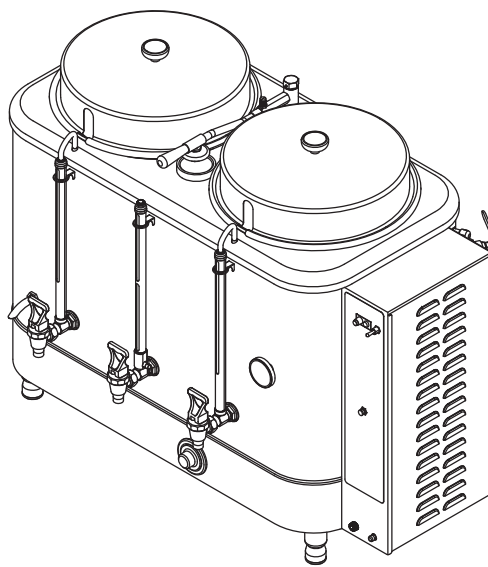
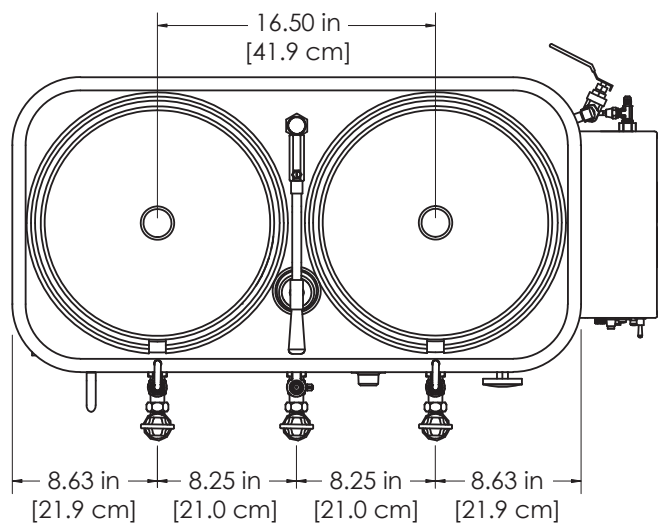
RU-300 Series



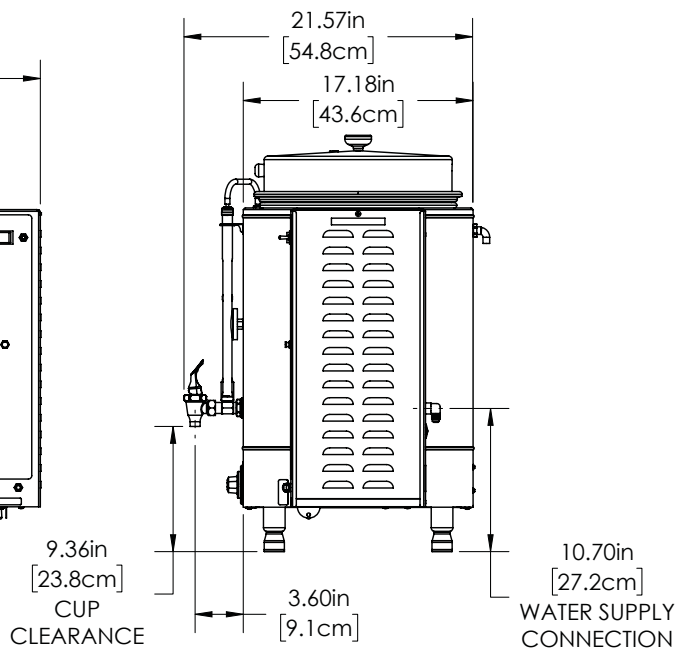
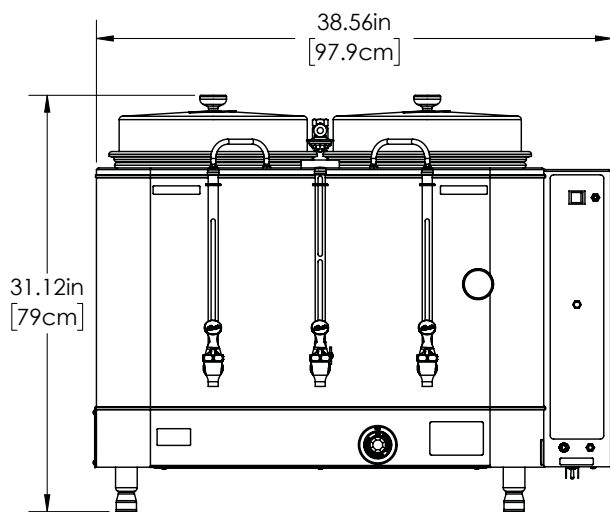
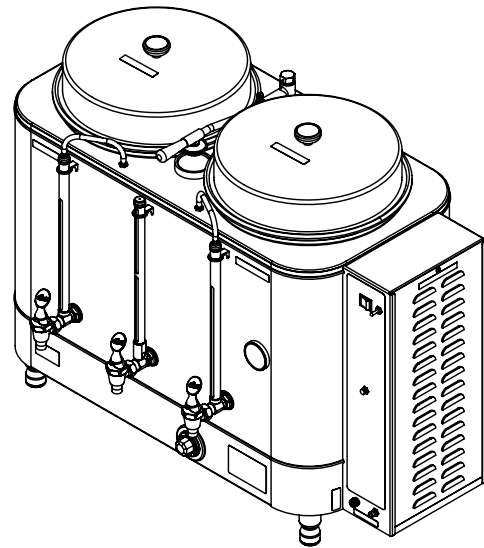
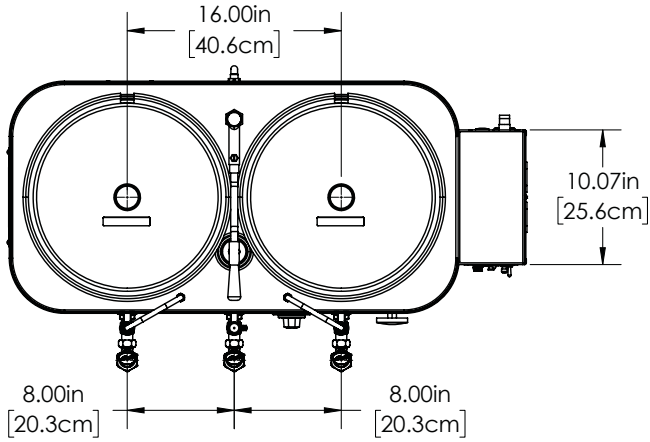
URN-300 Series



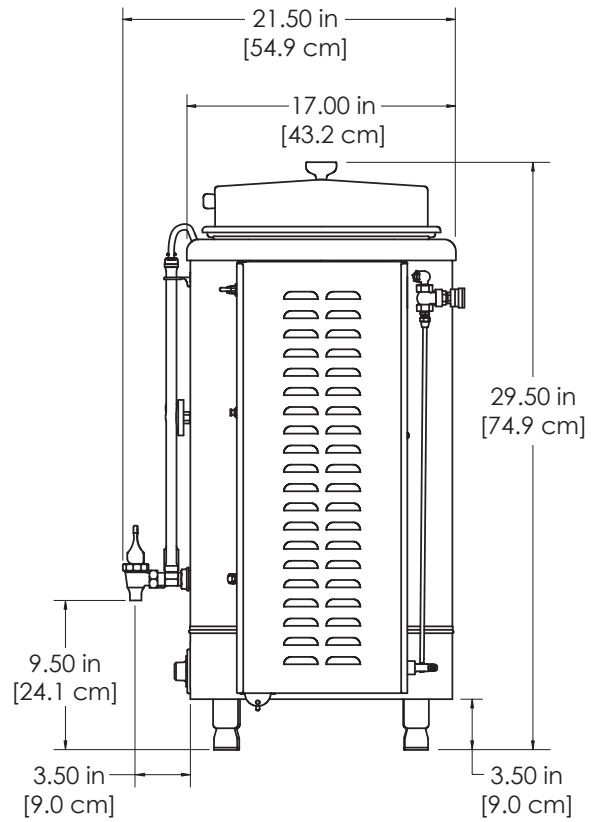
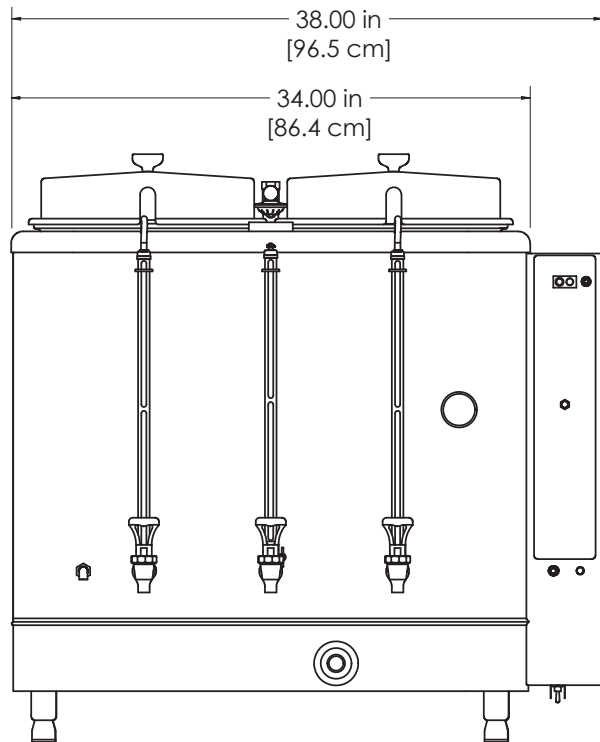
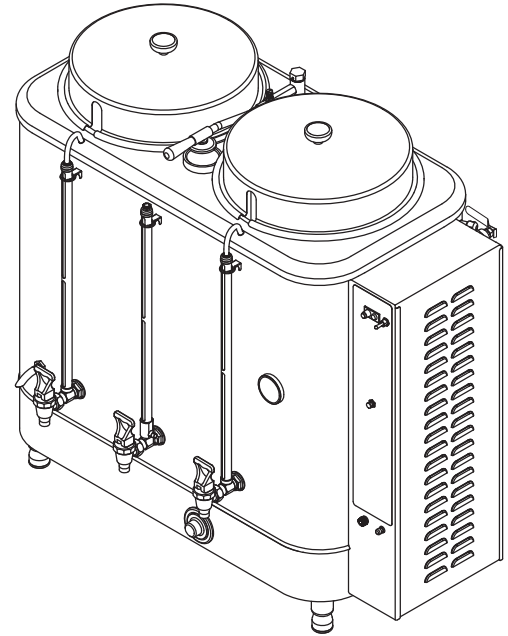
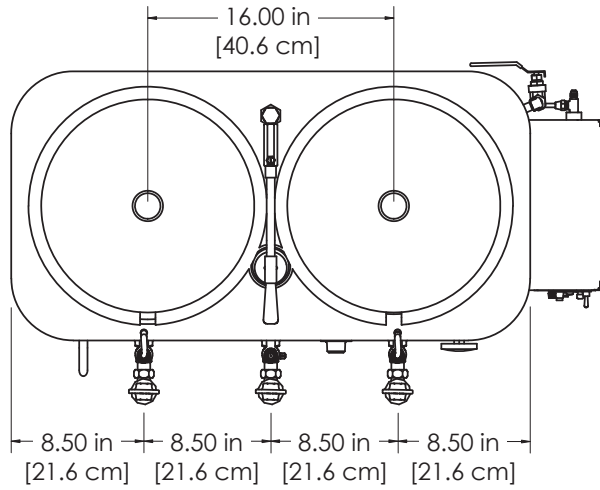
RU-600 Series



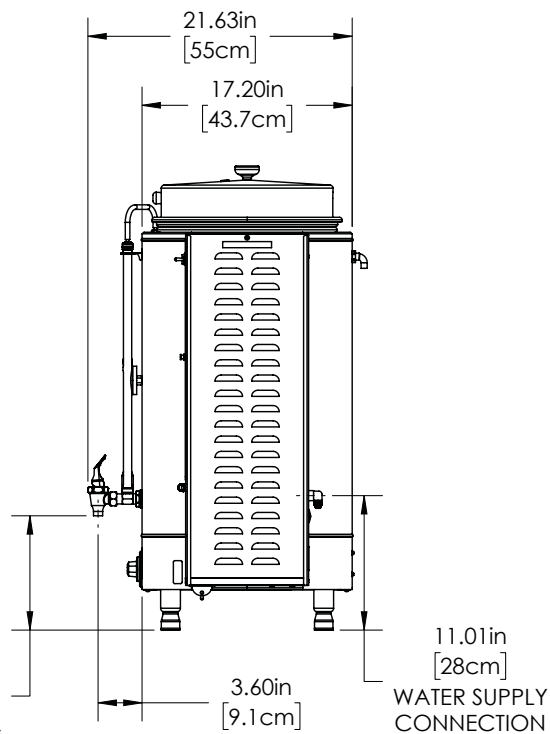
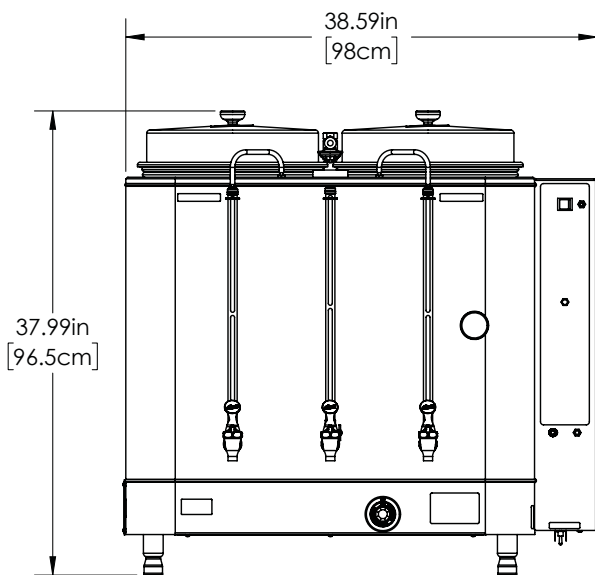
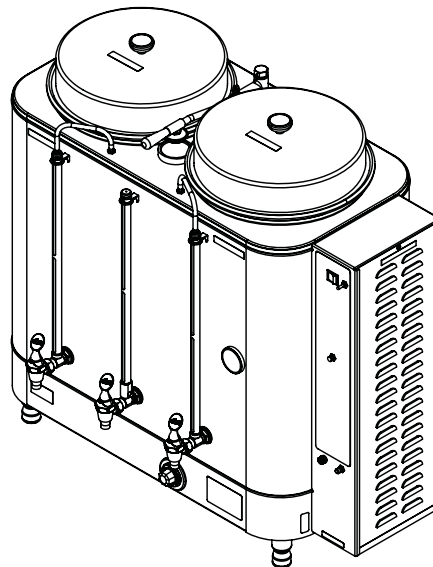
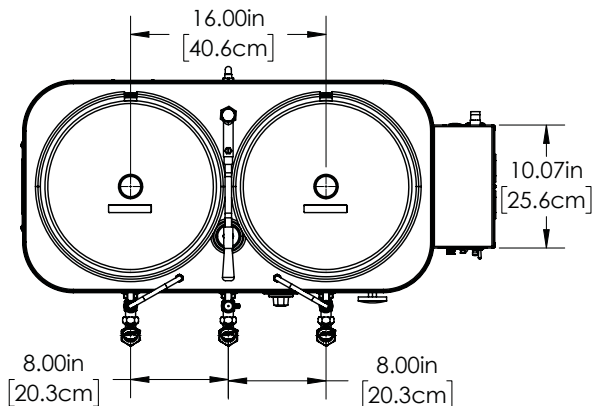
URN-600 Series



RU-1000 Series

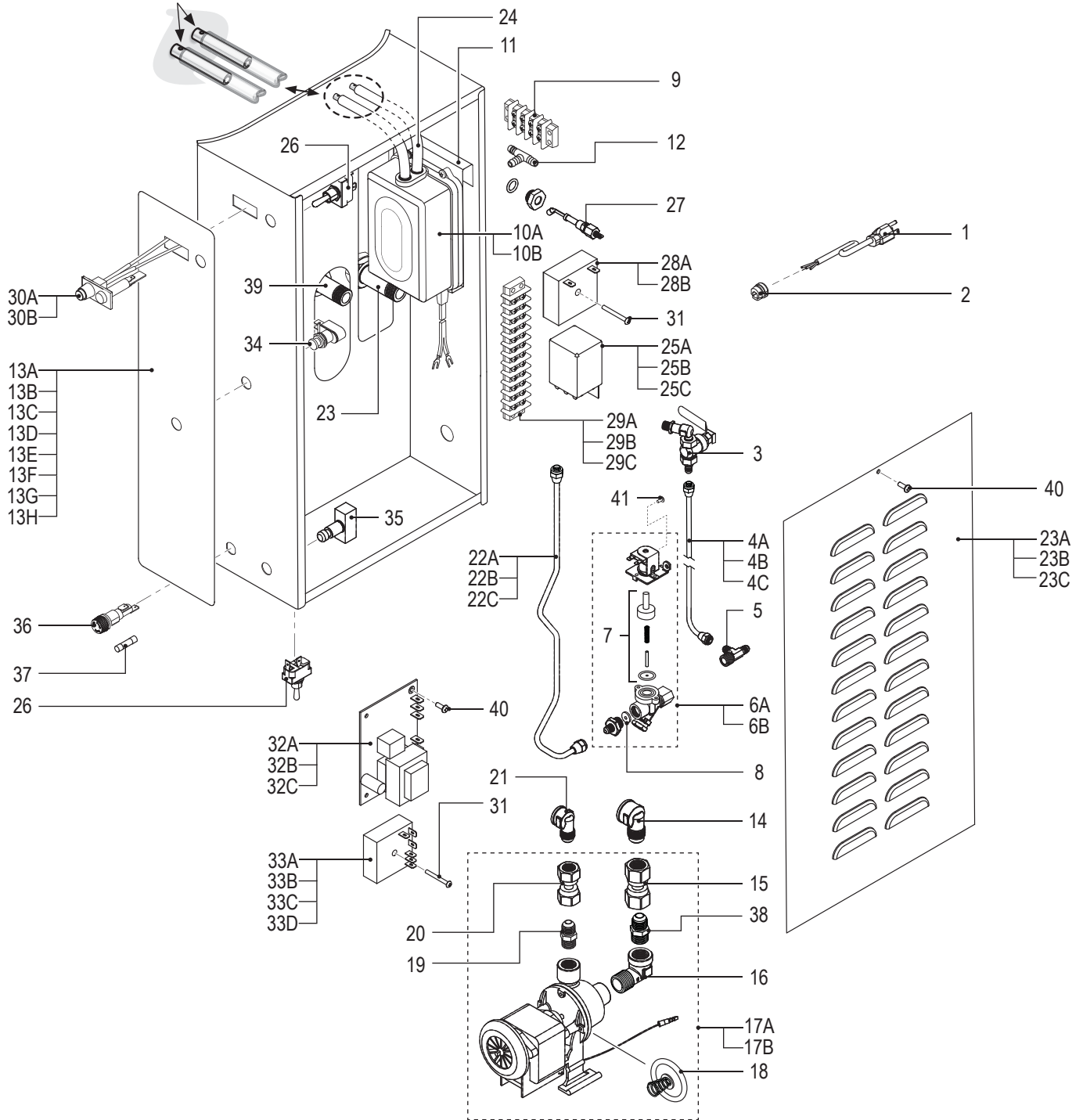


URN-1000 Series



RU/URN Series - Control Box - Exploded View

Older models: when reconnecting the silicone tubing to the copper tubes, make sure you do not cover the small holes on the copper tubes.



## RU/URN Series - Control Box - Parts List

ITEM #	PART #	DESCRIPTION	USED ON
1	WC-1200	CORD, 14/3 SJTO 6' BLK W/PLUG	DOMESTIC 3 PHASE UNITS
2	<a href="#">WC-1408</a>	GRIP, CORD 7/8" OD	DOMESTIC 3 PHASE UNITS
3	WC-806	VALVE, 1/4" BRASS BALL ASSY EMERGENCY REFILL RU'S	ALL RU UNITS
4A	WC-53104	TUBE ASSY, 1/4x14.50 ER W/NUTS RU-150/300	RU-150, RU-300
4B	<a href="#">WC-53105</a>	TUBE ASSY, 1/4x17.00 ER W/NUTS RU-225/600	RU-225, RU-600
4C	WC-53109	TUBE ASSY, 1/4" ER W/NUTS RU-1000	RU-1000
5A	WC-2705	TEE, 1/4 X 1/4 FLARE X 3/8 NPT PLATED	ALL RU UNITS
5B	WC-2402P	ELBOW, 3/8 FLARE x 3/8 NPT PLATED	URN-300, URN-600, URN-1000
6A*	WC-801	VALVE, INLET BRASS .50 GPM 120V 10W	DOMESTIC RU UNITS
6B	WC-858	VALVE, INLET BRASS .50 GPM 220V 10W	EXPORT RU UNITS
6C	WC-12019	VALVE, INLET 4GPM 120V	DOMESTIC URN-300, URN-600, URN-1000
7*	WC-3700	KIT, INLET VALV REPAIR USE ON WC-801/801R/885/890/858	ALL RU UNITS
8	<a href="#">WC-813</a>	FLOW WASHER, .5GPM .5" S45	ALL RU UNITS
9	<a href="#">WC-301</a>	TERMINAL STRIP, 4-S	OLDER RU UNITS <sup>1</sup>
10A	WC-37166	KIT, AIR PUMP	DOMESTIC RU UNITS
10B	WC-1009	PUMP, AGITATION 220V	EXPORT RU UNITS
10C	WC-1002	PUMP, AGITATION 120V W/TERMS	DOMESTIC URN-300, URN-600, URN-1000
11	<a href="#">WC-5843</a>	BRACKET, AERATOR PUMP RU	ALL RU UNITS
12	<a href="#">WC-3600</a>	TEE, CONNECTOR 3/16 POLYPROPYLENE	RU-150, RU-225
13A	<a href="#">WC-3900</a>	LABEL, INSTRUCTION PANEL RU-150	RU-150 <sup>1</sup>
13B	WC-3901	LABEL, INSTRUCTION PANEL RU225	RU-225 <sup>1</sup>
13C	<a href="#">WC-3902</a>	LABEL, INSTRUCT'S PANEL CURTIS RU-300	RU-300 <sup>1</sup>
13D	<a href="#">WC-3903</a>	LABEL, INSTRUCT'S PANEL CURTIS RU-600	RU-600 <sup>1</sup>
13E	<a href="#">WC-3904</a>	LABEL, INSTRUCT'S PANEL CURTIS RU1000	RU-1000 <sup>1</sup>
13F	WC-38570	LABEL, INSTRUCTION PANEL RU-150/RU-300	RU-150 <sup>2</sup> , RU-300 <sup>2</sup>
13G	WC-38571	LABEL, INSTRUCTION PANEL RU225/RU-600	RU-225 <sup>2</sup> , RU-600 <sup>2</sup>
13H	WC-38574	LABEL, INSTRUCTION PANEL RU1000	RU-1000 <sup>2</sup>
14	<a href="#">WC-2405</a>	ELBOW, 1/2 FLARE x 1/2 NPT	ALL RU UNITS
15	<a href="#">WC-2609</a>	SWIVEL, 1/2" TUBE X 1/2 NPT	ALL RU UNITS
16	WC-2504	ELBOW, 1/2 NPT X 1/2 NPT	ALL RU UNITS
17A*	WC-1037	PUMP, WATER W/FITTINGS 120VAC	DOMESTIC RU UNITS
17B	<a href="#">WC-1039</a>	PUMP, WATER W/FITTING 220/240 VAC	EXPORT RU UNITS
17C	WC-1040-101	PUMP, WATER DIRECT DRIVE 120V/60HZ	DOMESTIC URN-300, URN-600, URN-1000
18*	WC-3702	KIT, WATER PUMP SEAL RU'S USE ON <a href="#">WC-1000</a>	ALL RU UNITS
19	WC-2605	CONNECTOR, 3/8 FLARE X 3/8 NPT	ALL RU UNITS
20	<a href="#">WC-2608</a>	SWIVEL, 3/8 TUBE x 3/8 NPT	ALL RU UNITS
21	<a href="#">WC-2403</a>	ELBOW, 3/8 FLARE x 3/8 NPT PLATED GEN USE	ALL RU UNITS
23A	<a href="#">WC-5808</a>	DOOR, CONTROL BOX LOUVER, RU-225/600	RU-225, RU-600
23B	<a href="#">WC-5807</a>	DOOR, LOUVER ACB RU150/300	RU-150, RU-300
23C	<a href="#">WC-5809</a>	DOOR, CONTROL BOX LOUVER	RU-1000
23D	WC-87481	DOOR, CONTROL BOX	URN-300
23E	WC-87483	DOOR, CONTROL BOX	URN-600
23F	WC-87485	DOOR, CONTROL BOX	URN-1000
22A	WC-5322	TUBE ASSY, 1/4x20.00 WI W/NUTS	RU-225, RU-600
22B	WC-5321	TUBE ASSY, 1/4x17.00 WI W/NUTS	RU-150, RU-300

CONTINUED ON FOLLOWING PAGE

<sup>1</sup> UNITS BUILT BEFORE 1/29/13<sup>2</sup> UNITS BUILT 1/29/13 AND LATER<sup>3</sup> USE FOR POWER SWITCH, UNITS BUILT AFTER 1/29/13 ARE EQUIPPED WITH A SECOND TOGGLE SWITCH USED FOR BATCH SELECTION

\* RECOMMENDED PARTS TO STOCK

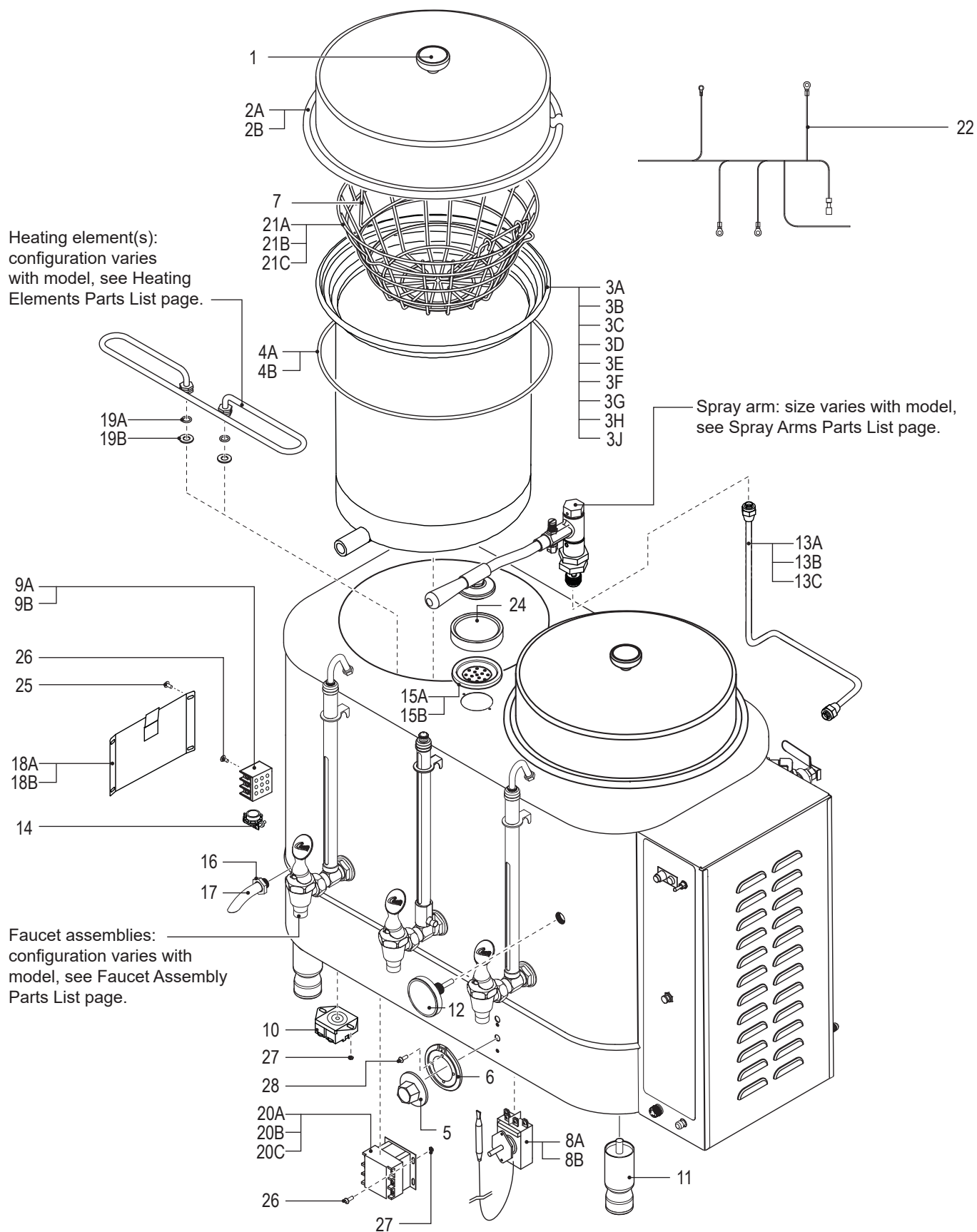
## RU/URN Series - Control Box - Parts List (continued)

ITEM #	PART #	DESCRIPTION	USED ON
22C	WC-5323	TUBE ASSY, 1/4x26.00 WI W/NUTS	RU-1000
23A	<a href="#">WC-2929P</a>	FITTING, 1/2 NIPPLE/NUT PLATED	ALL RU UNITS
23B	WC-3045	FITTING, STRAIGHT 3/8-18 NPSM X 3/8 BARB X2 SS	URN-300, URN-600, URN-1000
24A	WC-5307	TUBE, 3/16 ID x 3/32W SILICONE	ALL RU UNITS/ URN-300, URN-600, URN-1000
24B	WC-5310	TUBE, 5/16 ID x 1/8W SILICONE	URN-300, URN-600, URN-1000
25A	WC-402	RELAY, HOLDING 120V COIL 10A	OLDER RU UNITS EXCEPT RU-1000 <sup>1</sup>
25B	WC-403	RELAY HOLDING 120V 3 POLE 6.6A RES.@240V	OLDER RU-1000 UNITS <sup>1</sup>
25C	<a href="#">WC-417</a>	RELAY, HOLDING 220V 2P 10A RU	OLDER RU UNITS
26*	WC-102	SWITCH, TOGGLE NON-LIT SPST 15A 125/6A 250VAC RESISTIVE	ALL RU UNITS <sup>3</sup> , URN-300, URN-600, URN-1000
27A*	<a href="#">WC-5502-01</a>	KIT, PROBE, ASSY WATER LEVEL W/HEX FITTING, O-RING & NUT	ALL RU UNITS
27B	WC-5528	PROBE, WATER LEVEL S.S.	URN-300, URN-600, URN-1000
27C	WC-2638	BUSHING, CONICAL .200 ID X.945 OD X .936 LG	URN-300, URN-600, URN-1000
28A	<a href="#">WC-405R-101K-120</a>	KIT, AGITATION TIMER 120V RU-150,225,300,600,1000	DOMESTIC RU UNITS
28B	<a href="#">WC-405R-101K-220</a>	KIT, AGITATION TIMER 220V RU-150,225,300,600,1000	EXPORT RU UNITS
28C	<a href="#">WC-405R-101</a>	TIMER, AGITATION 90-260 VAC 30 SEC	URN-300, URN-600, URN-1000
29A*	<a href="#">WC-303</a>	TERMINAL STRIP 12-S	OLDER RU-150, RU-3000 UNITS
29B	<a href="#">WC-304</a>	TERMINAL STRIP, 14-S(RU1,6)	OLDER RU-225, RU-600 UNITS
29C	<a href="#">WC-302</a>	TERMINAL STRIP, 6-S(GM,CRA)	OLDER RU-1000 UNITS
30A	WC-3737	KIT, BREW SWITCH 120V RU'S	DOMESTIC RU UNITS
30B	WC-3738	KIT, BREW SWITCH 220V RU RPL	EXPORT RU UNITS
30C	WC-122	SWITCH, BREW (GREEN) 120V NEON SPST 15A 250V	DOMESTIC URN-300, URN-600, URN-1000
31	<a href="#">WC-4608</a>	SCREW, 8-32x1 1/4 PHIL RD HD 18-8	ALL RU UNITS
32A	WC-10030	CONTROL MODULE, 120/220V LIQUID LEVEL/BREW TIMER	NEWER RU UNITS <sup>5</sup> , URN-300, URN-600, URN-1000
32B*	WC-10030K-RU	KIT, CONTROL BOARD LIQUID LEVEL/BREW TIMER 120/240V RU	NEWER RU UNITS <sup>4</sup>
32C	<a href="#">WC-608-101K</a>	KIT, LIQUID LEVEL CONTROL BOARD RETROFIT	OLDER RU UNITS <sup>1</sup>
33A	WC-10030	CONTROL MODULE, 120/220V LIQUID LEVEL/BREW TIMER	NEWER RU UNITS <sup>5</sup> , URN-300, URN-600, URN-1000
33B*	WC-10030K-RU	KIT, CONTROL BOARD LIQUID LEVEL/BREW TIMER 120/240V RU	NEWER RU UNITS <sup>4</sup>
33C	<a href="#">WC-603-101K-RU</a>	KIT, RETROFIT TIMER, BREW SELECTOR 120V RU-300 W/ 1/2BB	OLDER DOMESTIC RU UNITS <sup>1</sup>
33D	<a href="#">WC-622-101K-RU</a>	KIT, RETROFIT BREW TIMER FULL & 1/3 BATCH 220V RU	OLD EXPORT UNITS AND RU-300 W/O HALF BATCH <sup>1</sup>
34	WC-101	SWITCH, ON/OFF NON-LIT SPST MOMENTARY 3/6A 250/120V	ALL RU UNITS, URN-300, URN-600, URN-1000
35	WC-100	SWITCH, RESET-STOP N.C.NON-LIT SP MOMENTARY 10/15A 250/120V	ALL RU UNITS, URN-300, URN-600, URN-1000
36	WC-1501	FUSE, HOLDER ASSY W/5A FUSE	ALL RU UNITS, URN-300, URN-600, URN-1000
37*	WC-1500	FUSE, 5 AMP	ALL RU UNITS, URN-300, URN-600, URN-1000
38	<a href="#">WC-2606</a>	CONNECTOR, 1/2 FLARE X 1/2 NPT	ALL RU UNITS
39A	<a href="#">WC-2928P</a>	FITTING, 3/8 NIPPLE/NUT PLATED	ALL RU UNITS
39B	WC-3045	FITTING, STRAIGHT 3/8-18 NPSM X 3/8 BARB X2 SS	URN-300, URN-600, URN-1000
40	WC-4403	SCREW, 6-32x3/8 PHIL ROUND HD	ALL RU UNITS, URN-600, URN-1000
41	WC-4616	SCREW, 1/4-20 x 1/2 PHILLIPS PAN HEAD STAINLESS STEEL	ALL RU UNITS, URN-600, URN-1000

<sup>1</sup> UNITS BUILT BEFORE 1/29/13<sup>2</sup> UNITS BUILT 1/29/13 AND LATER<sup>3</sup> USE FOR POWER SWITCH, UNITS BUILT AFTER 1/29/13 ARE EQUIPPED WITH A SECOND TOGGLE SWITCH USED FOR BATCH SELECTION<sup>4</sup> UNITS BUILT BETWEEN 1/29/13 AND 5/04/18<sup>5</sup> UNITS BUILT 5/04/18 AND LATER

\* RECOMMENDED PARTS TO STOCK

RU/URN Series - Main Chassis - Exploded View



## RU/URN Series - Main Chassis - Parts List

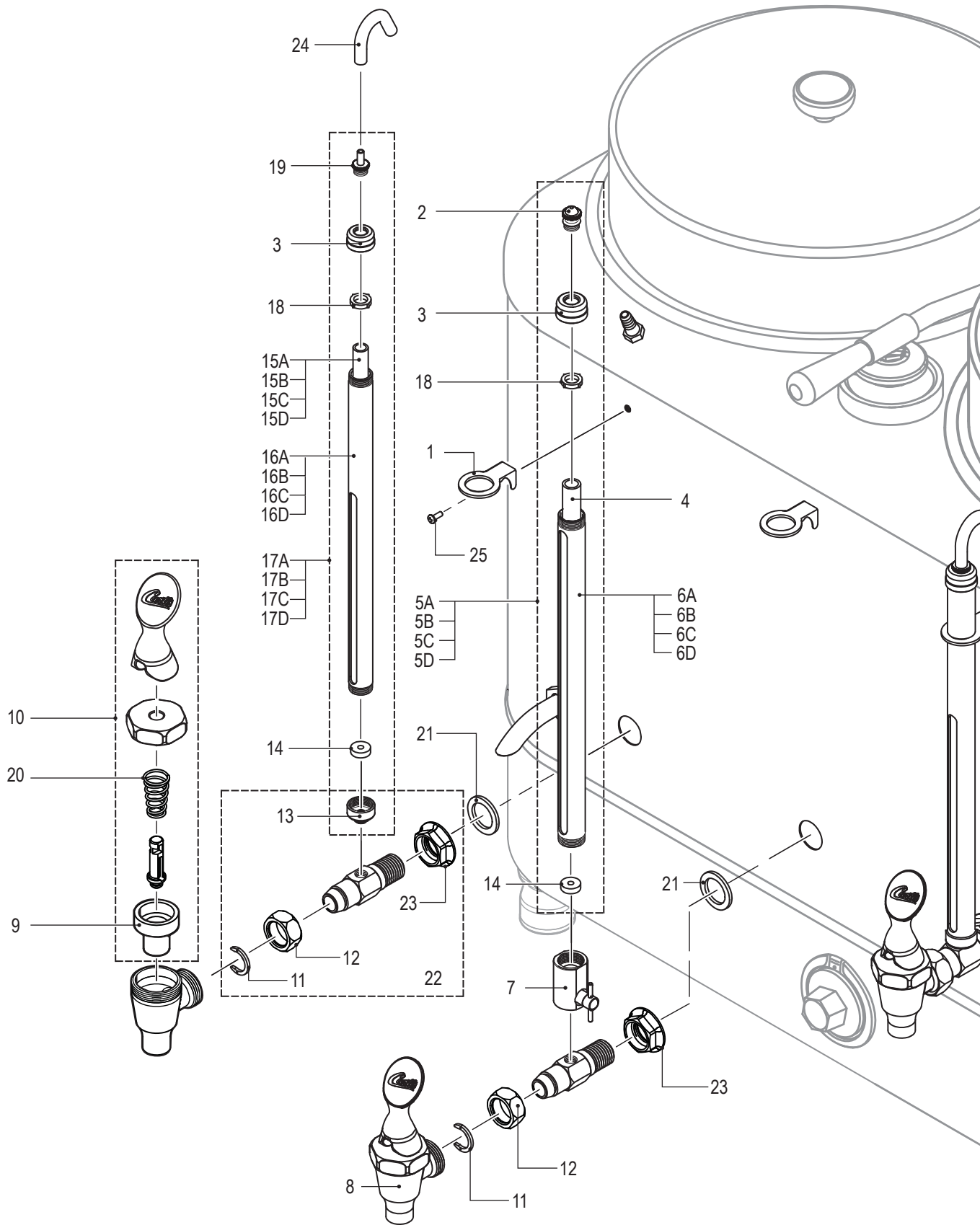
ITEM #	PART #	DESCRIPTION	USED ON
1	WC-3205	KNOB, LID 1/4-20 FEMALE THRD USE ON WC-5601/5602/5603	ALL RU UNITS, URN-600, URN-1000
2A	WC-5601	LID, LINER ASSY (SC)RU-150/300 (INCLUDES KNOB)	RU-150, RU-300, URN-600, URN-1000
2B	WC-5603	LID, LINER ASSY RU225/600/1000 (INCLUDES KNOB)	RU-225, RU-600, RU-1000, URN-600, URN-1000
3A	WC-5700	LINER, 3 GAL RU-150	RU-150
3B	WC-5701	LINER, 3 GAL D/S RU-150	RU-150DS
3C	WC-5706	LINER, 6 GAL RU-600	RU-225, RU-600, URN-600
3D	WC-5703	LINER, 6 GAL D/S RU-225	RU-225DS
3E	<a href="#">WC-5707</a>	LINER, 6 GAL D/S RU-600	RU-600DS
3F	WC-5704	LINER, 3 GAL RU-300	RU-300, URN-300
3G	<a href="#">WC-5705</a>	LINER, 3 GAL D/S RU-300	RU-300DS
3H	WC-5708	LINER, 10 GAL RU-1000	RU-1000, URN-1000
3J	<a href="#">WC-5709</a>	LINER, 10 GAL D/S RU-1000	RU-1000DS
4A	WC-4303	O-RING, LINER RU-150/300	RU-150, RU-300
4B	WC-43076	O-RING, LINER, RU'S, 6, 10 GA	RU-225, RU-600, RU-1000
4C	WC-43175	O-RING, LINER	URN-300
4D	WC-43176	O-RING, LINER	URN-600, URN-1000
5	WC-3217	KNOB, ELECTRIC THERMOSTAT RU	ALL RU UNITS, URN-300, URN-600, URN-1000
6	WC-3220	BEZEL, THERMOSTAT ELECTRIC URN'S	ALL RU UNITS, URN-300, URN-600, URN-1000
7	<a href="#">WC-3305</a>	FLAP, WIRE BASKET RU150/300 (2 REQUIRED)	RU-150, RU-300, URN-300, URN-600, URN-1000
8A	WC-37165	KIT, THERMOSTAT WC-500A/501A	ALL RU UNITS, URN-300, URN-600, URN-1000
8B	WC-502	THERMOSTAT, CAPILLARY LWC OFF DPST	OLDER 3 PHASE UNITS
9A	WC-300	POWER BLOCK 3-STA 175A 600V RU'S	ALL DOMESTIC AND EXPORT SINGLE PHASE UNITS
9B	<a href="#">WC-313</a>	POWER BLOCK, 4 STA 85A 600V	EXPORT 3 PHASE UNITS
10	WC-522	THERMOSTAT, HI LIMIT HEATER CONTROL DPST 277V 40A	ALL RU UNITS, URN-300, URN-600, URN-1000
11	<a href="#">WC-3528</a>	LEG, 4" ADJUSTABLE 3/8-16 THRD ITALIAN STYLE	ALL RU UNITS, URN-300, URN-600, URN-1000
12	WC-511	THERMOMETER, DIAL RU'S	ALL RU UNITS, URN-300, URN-600, URN-1000
13A	<a href="#">WC-5313</a>	TUBE, SPRAYARM ASSY W/NUTS RU-300	RU-150, RU-300, URN-300
13B	<a href="#">WC-5314</a>	TUBE, SPRAYARM ASSY W/NUTS RU-600	RU-225, RU-600, URN-600
13C	WC-5315	TUBE, SPRAYARM ASSY W/NUTS RU-1000	RU-1000, URN-1000
13D	WC-5310	TUBE, 5/16 ID x 1/8W SILICONE	URN-300, URN-600, URN-1000
14	<a href="#">WC-1412</a>	CORD GRIP, 3/4" FOR METAL CORD TO .81"OD	ALL RU UNITS, URN-300, URN-600, URN-1000
15A	WC-5800	RING, STEAM	SINGLE SERVICE RU, URN-300, URN-600, URN-1000
15B	<a href="#">WC-5458</a>	PLATE, RING STEAM D/SERVICE SHEAR SIZE 4.00	ALL DUAL SERVICE RU UNITS
16	WC-4205	NUT, 1/4 LOCK NPS BRASS	ALL RU UNITS, URN-300, URN-600, URN-1000
17	WC-2913	SPOUT OVERFLOW	ALL RU UNITS
18A	<a href="#">WC-5810</a>	COVER, W/A ELECTRIC BOX RU'S RU-600,1000	RU-150/-600/-225/-1000, URN-600, URN-1000
18B	WC-58067	COVER, W/A ELECTRIC BOX RU-300	RU-300, URN-300
19A	WC-43123	O'RING, .549 ID X .103CS SILICONE FOR HEATING ELEMENT	ALL RU UNITS, URN-300, URN-600, URN-1000
19B	WC-4305	WASHER 5/8" TEFLON	OLDER UNITS
20A	WC-431	CONTACTOR, 120V 60A 3P DP	ALL DOMESTIC RU'S, URN-300, URN-600, URN-1000
20B	WC-439	CONTACTOR, 220V 3POLE 63A RES	EXPORT SINGLE PHASE UNITS
20C	<a href="#">WC-443</a>	CONTACTOR, 3POLE 50A 208-240VAC COIL	EXPORT THREE PHASE UNITS
21A	WC-3302	BREW BASKET WIRE W/FLAPS RU-300	RU-150, RU-300, URN-300
21B	WC-3303	BREW BASKET, WIRE W/ FLAPS RU-600	RU-225, RU-600, URN-600
21C	WC-3304	BREW BASKET, WIRE W/ FLAPS RU-1000	RU-1000, URN-1000
22A	WC-13501	HARNESS ASSY, CONTROL CIRCUIT RU-300/600/1000	ALL RU UNITS
22B	WC-13501-101	HARNESS ASSY, CONTROL CIRCUIT URN-300/600/1000	URN-300, URN-600, URN-1000

CONTINUED ON FOLLOWING PAGE

## RU/URN Series - Main Chassis - Parts List (continued)

ITEM #	PART #	DESCRIPTION	USED ON
23A	WC-13361	HARNESS ASSY RU-150-12 FOR THERMOSTAT (NOT SHOWN)	RU-150-12, RU-150-62
23B	WC-13362	HARNESS ASSY RU-225-12 FOR THERMOSTAT (NOT SHOWN)	RU-225-12
23C	WC-13363	HARNESS ASSY RU-300-12 FOR THERMOSTAT (NOT SHOWN)	RU-300-12, RU-300-63, URN-300-12
23D	<a href="#">WC-13364</a>	HARNESS ASSY RU-600-12/RU1000-12 FOR THERMOSTAT (NOT SHOWN)	RU-600-12, RU-600-63, RU-1000-12, URN-600-12
23E	WC-13365	HARNESS ASSY RU-600-20/RU1000-20 FOR THERMOSTAT (NOT SHOWN)	RU-600-20, RU-1000-20, URN-600-20, URN-1000-20
23F	WC-13366	HARNESS ASSY RU-150-20/225-20 FOR THERMOSTAT (NOT SHOWN)	RU-150-20, RU-150-91, RU-225-20
23G	WC-13368	HARNESS ASSY RU-300-20 FOR THERMOSTAT (NOT SHOWN)	RU-300-20, RU-300-91, RU-600-91, RU-1000-91
24	WC-5634	CAP, URN STEAM RING	ALL RU UNITS, URN-300, URN-600, URN-1000
25	WC-4403	SCREW, 6-32x3/8 PHIL ROUND HD	ALL RU UNITS, URN-300, URN-600, URN-1000
26	WC-4503	SCREW, 8-32x1/2 PHILLIPS HEAD	ALL RU UNITS, URN-300, URN-600, URN-1000
27	<a href="#">WC-4201</a>	NUT, 8-32 HEX KEP ZINC	ALL RU UNITS, URN-300, URN-600, URN-1000
28	WC-4439	SCREW, 6-32x¼ PHIL PAN HD SS	ALL RU UNITS, URN-300, URN-600, URN-1000

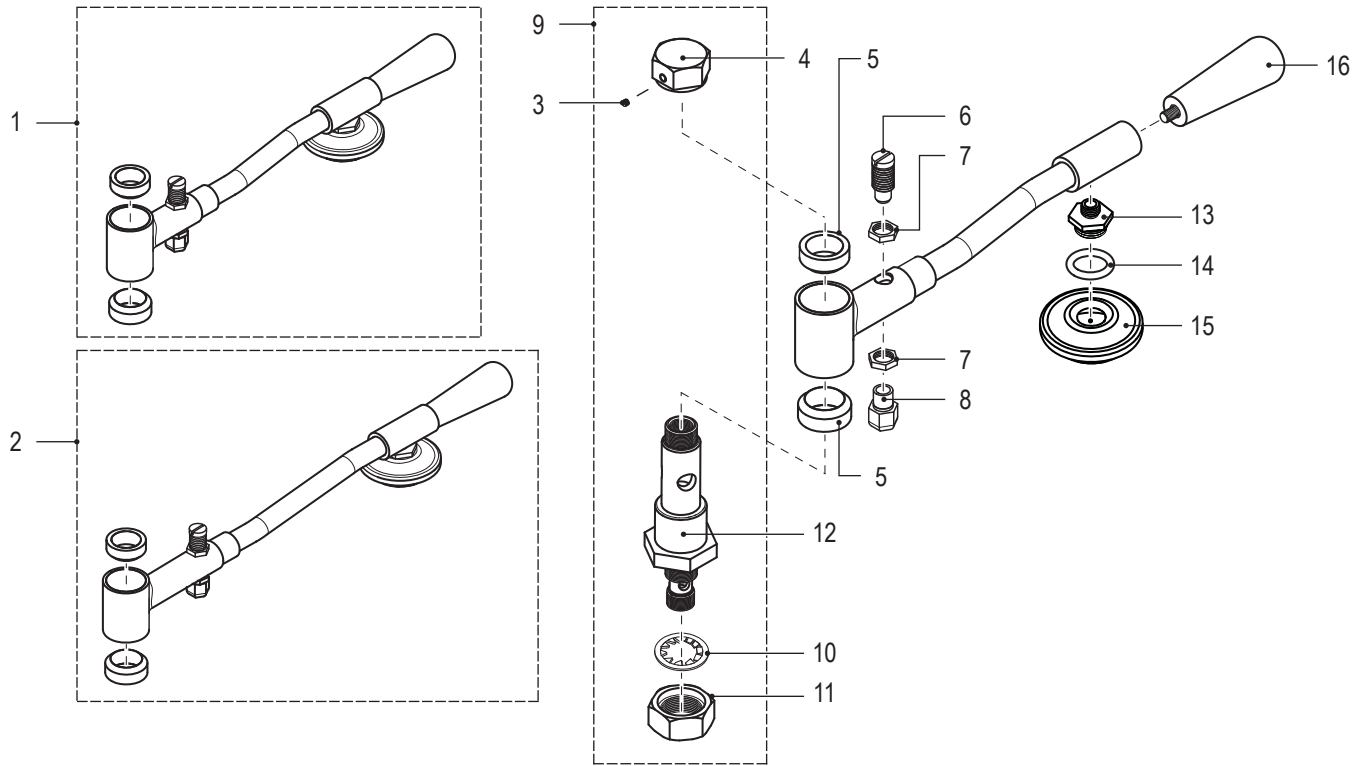
RU/URN Series - Faucet Assemblies - Exploded View



## RU/URN Series - Faucet Assemblies - Parts List

ITEM #	PART #	DESCRIPTION	USED ON
1	WC-2007	BRACKET, GAUGE GLASS <a href="#">GEM-3</a>	ALL RU UNITS, URN-300, URN-600, URN-1000
2	WC-2003	CAP, PLUG VENTED 44	ALL RU UNITS, URN-300, URN-600, URN-1000
3A	WC-2002K	KIT, SHIELD CAP W/CLEAN OUT	ALL RU UNITS, URN-300, URN-600, URN-1000
3B	<a href="#">WC-2001</a>	CAP, SHIELD W/VENT	URN-300, URN-600, URN-1000
4	WC-2030	GLASS, GAUGE 13"	RU-225, RU-600, URN-600
5A	WC-2108	GAUGE GLASS ASSEMBLY 13" USE ON RU-225	RU-225, RU-600, URN-600
5B	<a href="#">WC-2104</a>	GAUGE GLASS ASSEMBLY 10"	RU-150
5C	WC-2105	GAUGE GLASS, ASSY 11" USE ON RU-150/300	RU-150, RU-300, URN-300
5D	WC-2113	GAUGE GLASS, ASSY 19"	RU-1000, URN-1000
6A	WC-2017	SHIELD, GAUGE GLASS 13"	RU-225, RU-600, URN-600
6B	<a href="#">WC-2104</a>	SHIELD, GAUGE GLASS 10"	RU-150
6C	WC-2014	SHIELD, 11" GAUGE GLASS	RU-300, URN-300
6D	WC-2022	SHIELD, 19" GAUGE GLASS 1/8 NPT	RU-1000, URN-1000
7	WC-1900	VALVE, GAUGE SHIELD SHUT-OFF 1/8 NPT	ALL RU UNITS, URN-300, URN-600, URN-1000
8	WC-1800	FAUCET,"S" SERIES BLK LOCKING 1-1/32-14 UNS CURTIS	ALL RU UNITS, URN-300, URN-600, URN-1000
9	WC-1805	SEAT CUP, "S" FAUCET USE ON WC-1800/B/LB/D/DL/L/WC-1803	ALL RU UNITS, URN-300, URN-600, URN-1000
10	<a href="#">WC-3705</a>	KIT, FAUCET HANDLE S SERIES NONLOCK	ALL RU URNS, URN-300, URN-600, URN-1000
11	WC-1906	C' RING .917 X .760 X .090 TT-3 TC'S	ALL RU UNITS, URN-300, URN-600, URN-1000
12	WC-1903	NUT, UNION SHANK WB-10/WB-10-60/WB-30-12	ALL RU UNITS, URN-300, URN-600, URN-1000
13	WC-2004K	KIT, BASE GAUGE GLASS SHIELD	ALL RU UNITS, URN-300, URN-600, URN-1000
14	WC-2006	WASHER, .188 ID X .188 THK BOTTOM GAUGE GLASS GEN USE	ALL RU UNITS, URN-300, URN-600, URN-1000
15A	WC-2028	GLASS, GAUGE 5/8" X 11"	RU-150, RU-300, URN-300
15B	WC-2031	GLASS, GAUGE 14"	RU-225, RU-600, URN-600
15C	WC-2029	GLASS, GAUGE 5/8" X 12"	RU-300, URN-300
15D	WC-2037	GLASS, GAUGE 5/8" X 20"	RU-1000, URN-1000
16A	WC-2014	SHIELD, 11" GAUGE GLASS	RU-150, RU-300, URN-300
16B	WC-2016	SHIELD, GAUGE GLASS 3/4".X 12"	RU-300, URN-300
16C	<a href="#">WC-2019</a>	SHIELD, 14c" GAUGE GLASS	RU-600, URN-600
16D	WC-2023	SHIELD, 20" GAUGE GLASS	RU-1000, URN-1000
17A	WC-2105	GAUGE GLASS, ASSY 11" USE ON RU-150	RU-150
17B	WC-2109	GAUGE GLASS, ASSY 14"	RU-225, RU-600, URN-600
17C	WC-2107	GAUGE GLASS, ASSY 12" SHORT WIN	RU-300, URN-300
17D	WC-2114	GAUGE GLASS, ASSY 20"	RU-1000, URN-1000
18	WC-2005	WASHER, SHIELD CAP 1/8" <a href="#">GEM-3</a> /TC'S W/SG	ALL RU UNITS, URN-300, URN-600, URN-1000
19	WC-2000	FITTING, AGITATION PLATED RU'S	ALL RU UNITS, URN-300, URN-600, URN-1000
20	WC-3402	SPRING, RETURN "S"SERIES FAUCT	ALL RU UNITS, URN-300, URN-600, URN-1000
21	WC-1813	WASHER, 1-1/8" OD ETHYLENE PROPYLENE RUBBER	ALL RU UNITS, URN-300, URN-600, URN-1000
22	WC-1901AK	KIT,FAUCET SHANK W/SHIELD BASE	ALL RU UNITS, URN-300, URN-600, URN-1000
23	WC-1939	NUT, FLANGED TLS-2, GEM3, RU'S	ALL RU UNITS, URN-300, URN-600, URN-1000
24	WC-5307	TUBE, 3/16 ID x 3/32W SILICONE GEN USE	ALL RU UNITS, URN-300, URN-600, URN-1000
25	WC-4439	SCREW, 6-32x¼ PHIL PAN HD SS	ALL RU UNITS, URN-300, URN-600, URN-1000

RU/URN Series - Spray Arms - Exploded View



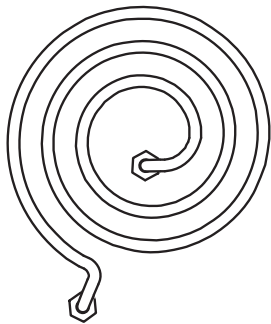
RU/URN Series Urns - Spray Arms - Parts List

ITEM #	PART #	DESCRIPTION	ITEM #	PART #	DESCRIPTION
1	WC-2908K	KIT, SPRAY ARM ASSY RU-150/300	10	WC-4310	WASHER, 7/8" INTERNAL TOOTH LOCK
2	WC-2909	SPRAY ARM ASSEMBLY, RU-225/600/1000	11	WC-4215P	NUT, 7/8" JAM PLATED
3	WC-4800	SCREW, 8-32 x 1/8" SET S.S.	12A	WC-3109K	KIT, CORE VALVE RU'S
4	WC-3103K	KIT, CAP CLEAN OUT, VALVE CORE RU'S	12B	WC-3109-102	VALVE, CORE PLATED URN'S
5	WC-4307	RING, PACKING TEFLON 2-REQ	13	WC-2904	SPRAY HEAD HOLDER PLATED
6	WC-2916	NEEDLE, BY PASS PLTD (SPRAY ARM)	14*	WC-4320	O'RING, 0.4871.D.x 0.693OD x 0.103CS
7	WC-4202P-P	NUT, 3/8" - 24 JAM, PLATED	15*	WC-2907-P	KIT, SPRAYHEAD ASSY RU'S
8	WC-2914	SPOUT, BY PASS PLTD (SPRAY ARM)	16	WC-3200**	HANDLE, SPRAY ARM BLACK PLASTIC RU/MWM
9	WC-3753	KIT, VALVE CORE REPLACEMENT O-RING STYLE			

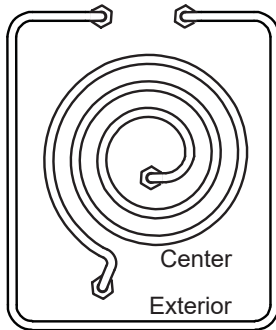
\* RECOMMENDED PARTS TO STOCK

\*\* USE ONLY WITH VALVE CORES THAT DO NOT HAVE TEFLON RETRACTORS.

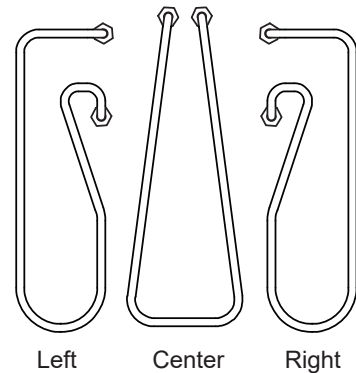
RU/URN Series - Heating Elements



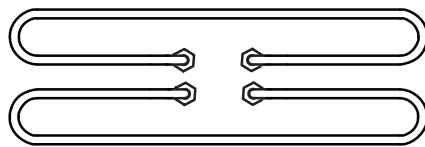
Element Configuration "A"



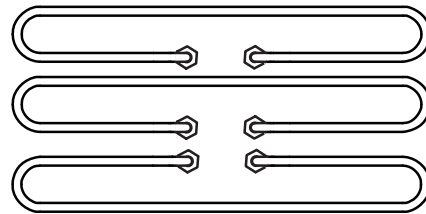
Element Configuration "B"



Element Configuration "C"



Element Configuration "D"

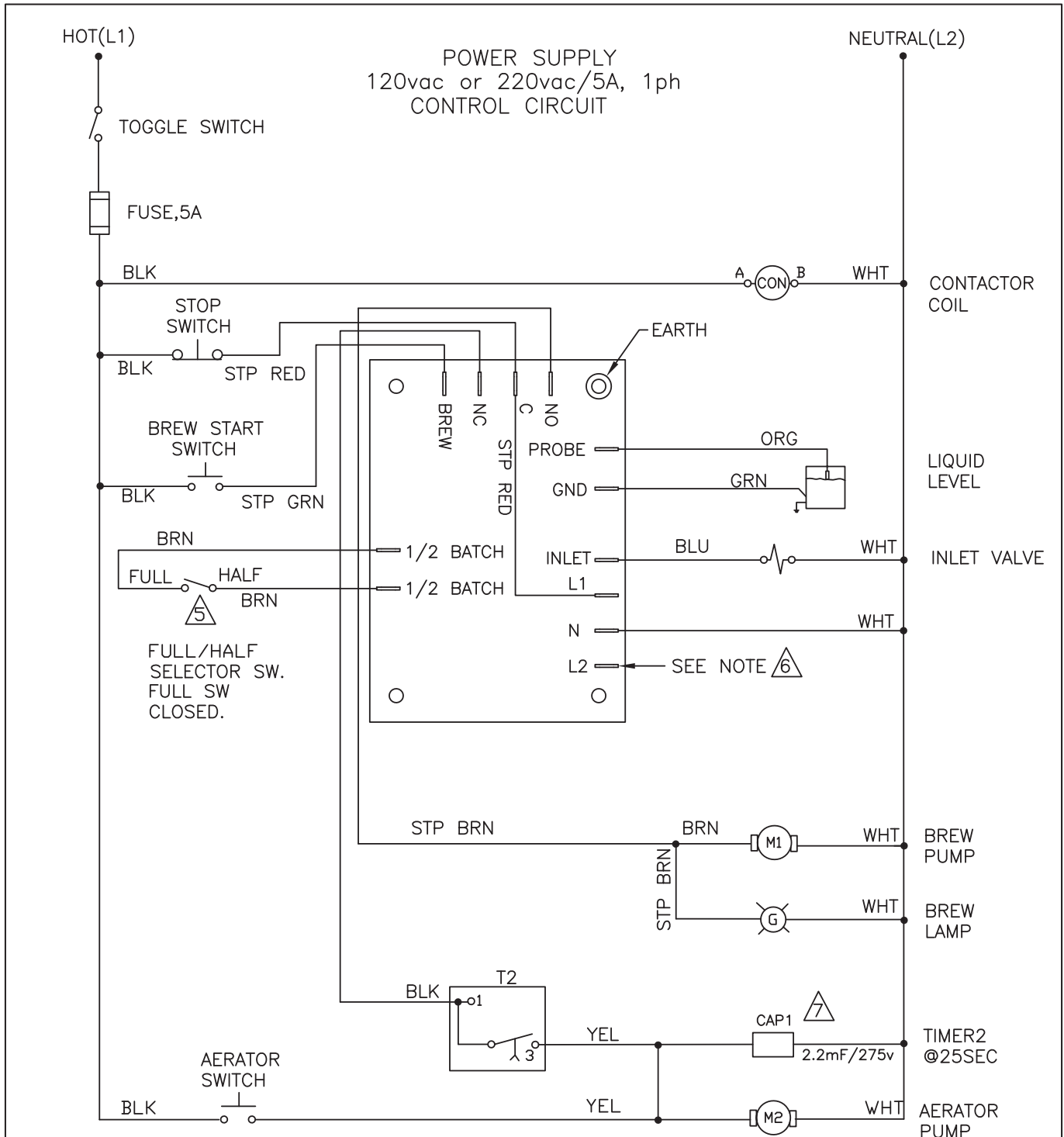


Element Configuration "E"

URN MODEL	ELECTRICAL SUPPLY	ELEMENT CONFIGURATION	ELEMENT LOCATION	ELEMENT PART #	ELEMENT DESCRIPTION
RU-150-12	208/220V-1 PHASE	A	-	WC-913-01	ELEMENT, HEATING 5KW 220V FOR MED SPIRAL
RU-150-20	208/220V-3 PHASE	C	LEFT	WC-907-01	ELEMENT, HEATING 1.75KW 220V FORMED LEFT
			CENTER	WC-907-02	ELEMENT, HEATING 1.75KW 220V FORMED CENTER
			RIGHT	WC-907-03	ELEMENT, HEATING 1.75KW 220V FORMED RIGHT
RU-225-12	208/220V-1 PHASE	B	CENTER	WC-911-02	ELEMENT, HEATING 3.5KW FORMED CENTER
			EXTERIOR	WC-911-01	ELEMENT, HEATING 3.5KW 208/ 220V W/JAM NUT FORMED EXTERIOR
RU-225-20	208/220V-3 PHASE	C	LEFT	WC-908-01	ELEMENT, HEATING 2.5KW 220V FORMED LEFT
			CENTER	WC-908-02	ELEMENT, HEATING 2.5KW 220V FORMED CENTER
			RIGHT	WC-908-03	ELEMENT, HEATING 2.5KW 220V FORMED RIGHT
RU-300-12	208/220V-1 PHASE	D	ALL	WC-910	ELEMENT, HEATING 3KW 220V RU's
RU-300-20	208/220V-3 PHASE	E	ALL	WC-908	ELEMENT, HEATING 2.5KW 220V
RU-300-63	208/220V-1 PHASE	D	ALL	WC-912	ELEMENT, HEATING 4KW 220V
RU-600-12	208/220V-1 PHASE	D	ALL	WC-913	ELEMENT, HEATING 5KW 220V
RU-600-20	208/220V-3 PHASE	E	ALL	WC-911	ELEMENT, HEATING 3.5KW 220V
RU-600-63	208/220V-1 PHASE	D	ALL	WC-913	ELEMENT, HEATING 5KW 220V
RU-1000-12	208/220V-1 PHASE	D	ALL	WC-913	ELEMENT, HEATING 5KW 220V
RU-1000-20	208/220V-3 PHASE	E	ALL	WC-911	ELEMENT, HEATING 3.5KW 220V
URN-300-20	208/220V-3 PHASE	E	ALL	WC-908-20 <sup>1</sup>	ELEMENT, HEATING 2.5KW 220V W/NUTS & O-RINGS, FORMED URN-300-20
URN-300-12	208/220V-1 PHASE	D	ALL	WC-910-10 <sup>1</sup>	ELEMENT, HEATING 3.0KW 220V W/NUTS & O-RINGS, FORMED URN-300-12
URN-600-20	208/220V-3 PHASE	E	ALL	WC-911-20 <sup>1</sup>	ELEMENT, HEATING 3.5KW 220V W/NUTS & O-RINGS, FORMED URN-600-20
URN-1000-20	208/220V-3 PHASE	E	ALL	WC-911-20 <sup>1</sup>	ELEMENT, HEATING 3.5KW 220V W/NUTS & O-RINGS, FORMED URN-1000-20
URN-600-12	208/220V-1 PHASE	D	ALL	WC-913-10 <sup>1</sup>	ELEMENT, HEATING 5.0KW 220V W/NUTS & O-RINGS, FORMED URN-600-12
URN-1000-12	208/220V-1 PHASE	D	ALL	WC-913-10 <sup>1</sup>	ELEMENT, HEATING 5.0KW 220V W/NUTS & O-RINGS, FORMED URN-1000-12

<sup>1</sup> UNITS BUILT 3/2023 AND LATER

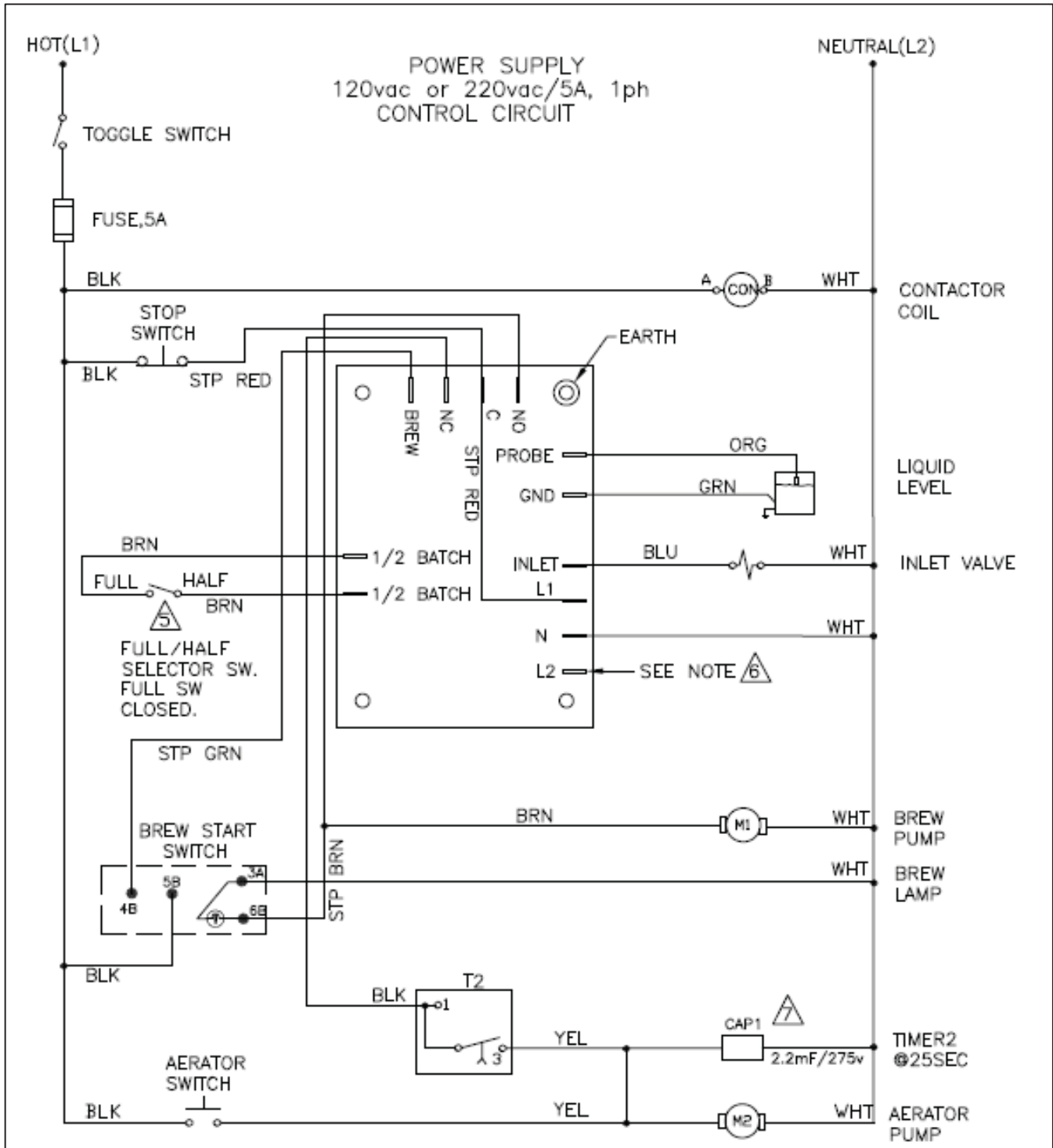
RU Series Control Circuit



- ⚠️ CAPICITOR ONLY USED ON 208/220V OR EXPORT UNITS.
  - ⚠️ WHEN USING 220VAC CONFIGURATION CONNECT WHITE WIRE FROM NEUTRAL TO L2.
  - ⚠️ FULL & 1/3 BATCH FOR RU1000. FULL AND HALF BATCH FOR RU150/225/300/600.
  - 4 ALL COMPONENTS IN CONTROL CIRCUIT WILL BE 120VAC OR 220VAC DEPEND ON POWER SUPPLY AND CIRCUIT CONFIGURATION.
  - 3 USE THIS DIAGRAM FOR OTHER MODELS WITH ADDED PREFIX AND/OR WITH SECOND DASH NUMBER ON THEIR PART NUMBERS PROVIDED THEY HAVE THE SAME ELECTRICAL SPECS AND/OR RATINGS.
  - 2 DO NOT CHANGE NOR SUBSTITUTE WIRE COLORS. ALL WIRES SHALL BE 18AWG.
  - 1 ALL WIRES SHALL BE UL APPROVED APPLIANCE
- NOTES: UNLESS OTHERWISE SPECIFIED

VOLTAGE: 120/240	TITLE: LADDER DIAGRAM CONTROL CIRCUIT, STD.	
WATTAGE: 800	PART NUMBER: LD-RUCNTRL-100	
AMPERAGE: 5A	REVISION: D	
HERTZ: 50/60		
WIRES: 2W + G		
PHASE: 1 PH		

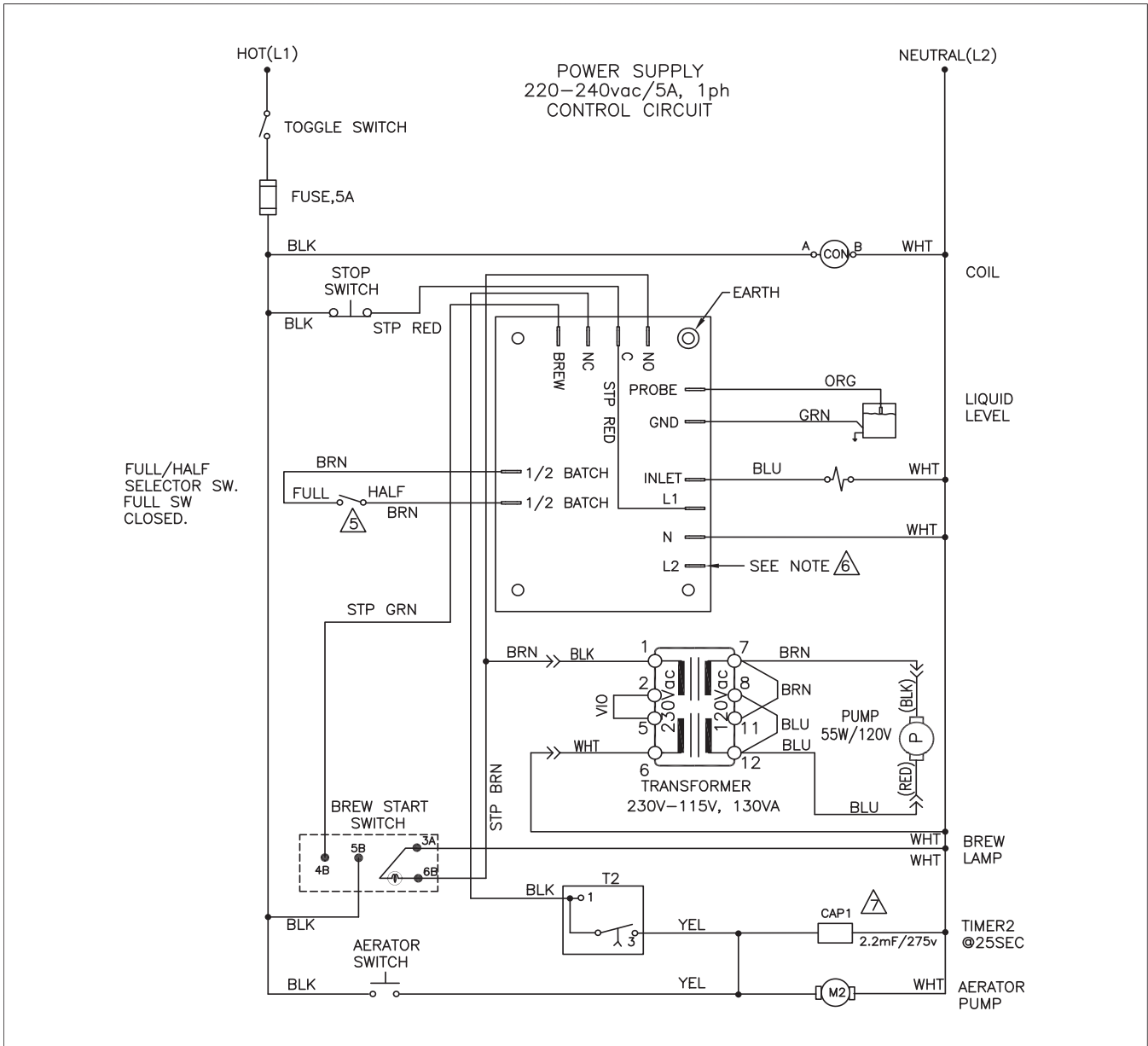
URN Series Control Circuit



- △ CAPICITOR ONLY USED ON 208/220V OR EXPORT UNITS.
  - △ WHEN USING 220VAC CONFIGURATION CONNECT WHITE WIRE FROM NEUTRAL TO L2.
  - △ FULL & 1/3 BATCH FOR RU1000. FULL AND HALF BATCH FOR RU150/225/300/600.
  - 4 ALL COMPONENTS IN CONTROL CIRCUIT WILL BE 120VAC OR 220VAC DEPEND ON POWER SUPPLY AND CIRCUIT CONFIGURATION.
  - 3 USE THIS DIAGRAM FOR OTHER MODELS WITH ADDED PREFIX AND/OR WITH SECOND DASH NUMBER ON THEIR PART NUMBERS PROVIDED THEY HAVE THE SAME ELECTRICAL SPECS AND/OR RATINGS.
  - 2 DO NOT CHANGE NOR SUBSTITUTE WIRE COLORS. ALL WIRES SHALL BE 18AWG.
  - 1 ALL WIRES SHALL BE UL APPROVED APPLIANCE
- NOTES: UNLESS OTHERWISE SPECIFIED

<table border="1" style="width: 100%; border-collapse: collapse;"> <tr><td>VOLTAGE:</td><td>120/240</td></tr> <tr><td>WATTAGE:</td><td>600</td></tr> <tr><td>AMPERAGE:</td><td>5A</td></tr> <tr><td>HERTZ:</td><td>50/60</td></tr> <tr><td>WIRES:</td><td>2W + G</td></tr> <tr><td>PHASE:</td><td>1 PH</td></tr> </table>	VOLTAGE:	120/240	WATTAGE:	600	AMPERAGE:	5A	HERTZ:	50/60	WIRES:	2W + G	PHASE:	1 PH	<table border="1" style="width: 100%; border-collapse: collapse;"> <tr> <td colspan="2" style="text-align: center;">TITLE: LADDER DIAGRAM CONTROL CIRCUIT, STD.</td> </tr> <tr> <td style="width: 70%;">PART NUMBER: LD-RUCNTRL-105</td> <td style="width: 30%;">REVISION: NC</td> </tr> </table>	TITLE: LADDER DIAGRAM CONTROL CIRCUIT, STD.		PART NUMBER: LD-RUCNTRL-105	REVISION: NC
VOLTAGE:	120/240																
WATTAGE:	600																
AMPERAGE:	5A																
HERTZ:	50/60																
WIRES:	2W + G																
PHASE:	1 PH																
TITLE: LADDER DIAGRAM CONTROL CIRCUIT, STD.																	
PART NUMBER: LD-RUCNTRL-105	REVISION: NC																

URN Series Control Circuit - Export

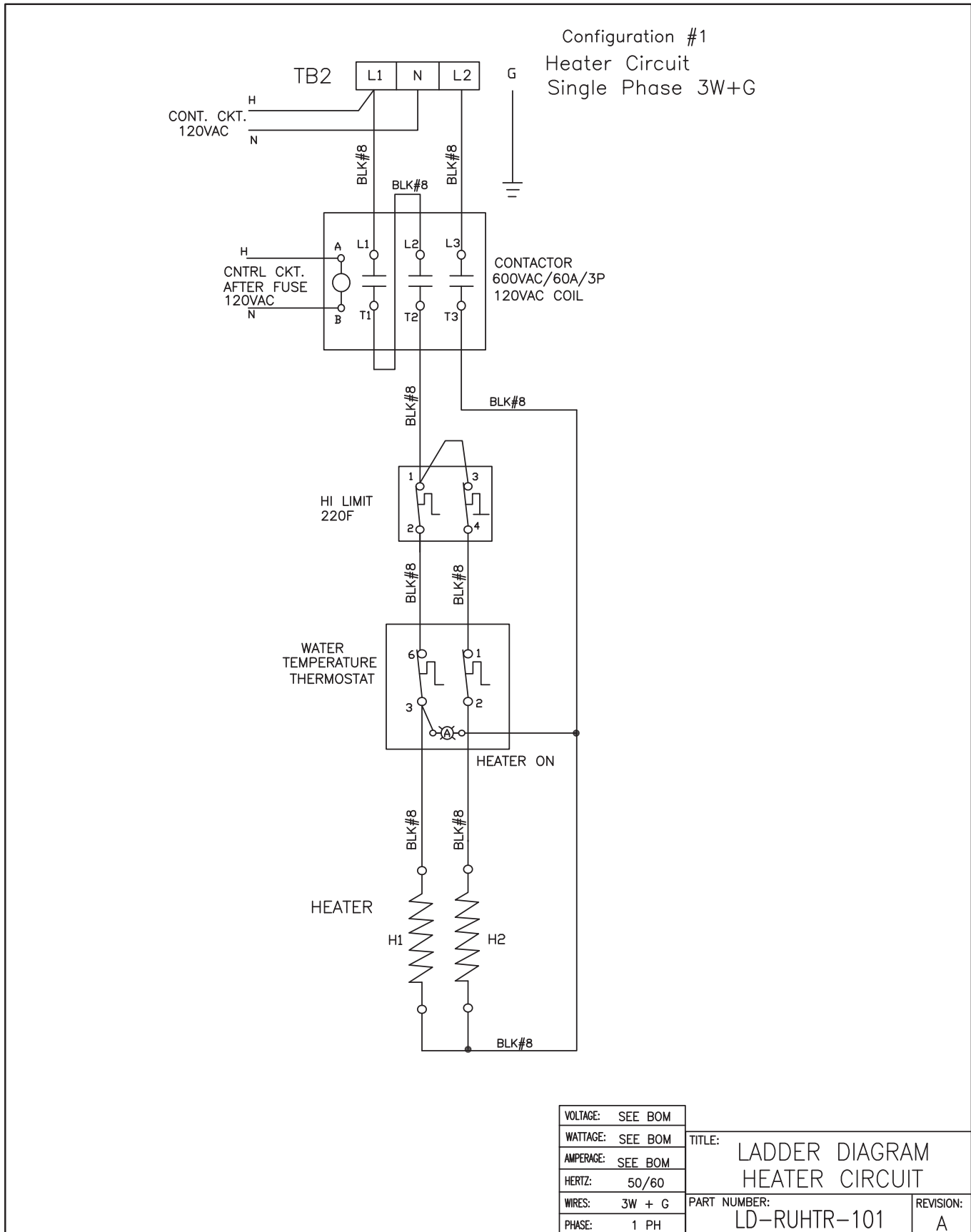


- 7 CAPACITOR ONLY USED ON 208/220V OR EXPORT UNITS.
  - 6 WHEN USING 220VAC CONFIGURATION CONNECT WHITE WIRE FROM NEUTRAL TO L2.
  - 5 FULL & 1/3 BATCH FOR RU1000. FULL AND HALF BATCH FOR RU150/225/300/600.
  - 4 ALL COMPONENTS IN CONTROL CIRCUIT WILL BE 120VAC OR 220VAC DEPEND ON POWER SUPPLY AND CIRCUIT CONFIGURATION.
  - 3 USE THIS DIAGRAM FOR OTHER MODELS WITH ADDED PREFIX AND/OR WITH SECOND DASH NUMBER ON THEIR PART NUMBERS PROVIDED THEY HAVE THE SAME ELECTRICAL SPECS AND/OR RATINGS.
  - 2 DO NOT CHANGE NOR SUBSTITUTE WIRE COLORS. ALL WIRES SHALL BE 18AWG.
  - 1 ALL WIRES SHALL BE UL APPROVED APPLIANCE
- NOTES: UNLESS OTHERWISE SPECIFIED

REVIEWED	UNLESS OTHERWISE SPECIFIED DIMENSIONS ARE IN INCHES. REMOVE ALL BURRS AND SHARP EDGES. TOLERANCES: XX ±.03 XXX ±.010 ANGLES ±1	VOLTAGE: 220-240	NEXT ASSY: FINAL	Wilbur Curtis Co., Inc. 6913 Acero St. Montebello, CA 90640 Phone-323-837-2300 Fax-323-837-2402 WWW.WILBURCURTIS.COM
		WATTAGE: 600	MODEL NUMBER: URN-300-33 URN-600-33	
APPROVED	This document contains information proprietary to Wilbur Curtis Co., Inc. It shall not be reproduced, used, or disclosed to anyone without the prior written permission of Wilbur Curtis Co., Inc.	AMPERAGE: 5A	DRAWN BY: -	DATE: 9/2022
		HERTZ: 50/60	CHK. BY:	DATE:
		WIRES: 2W+G	APPR. BY:	DATE:
		PHASE: 1PH	PART NUMBER: LD-RUCNTRL-106	
			DRAWING SIZE: A	
			SCALE: NTS	
			SHEET 1 OF 1	
			REVISION: NC	

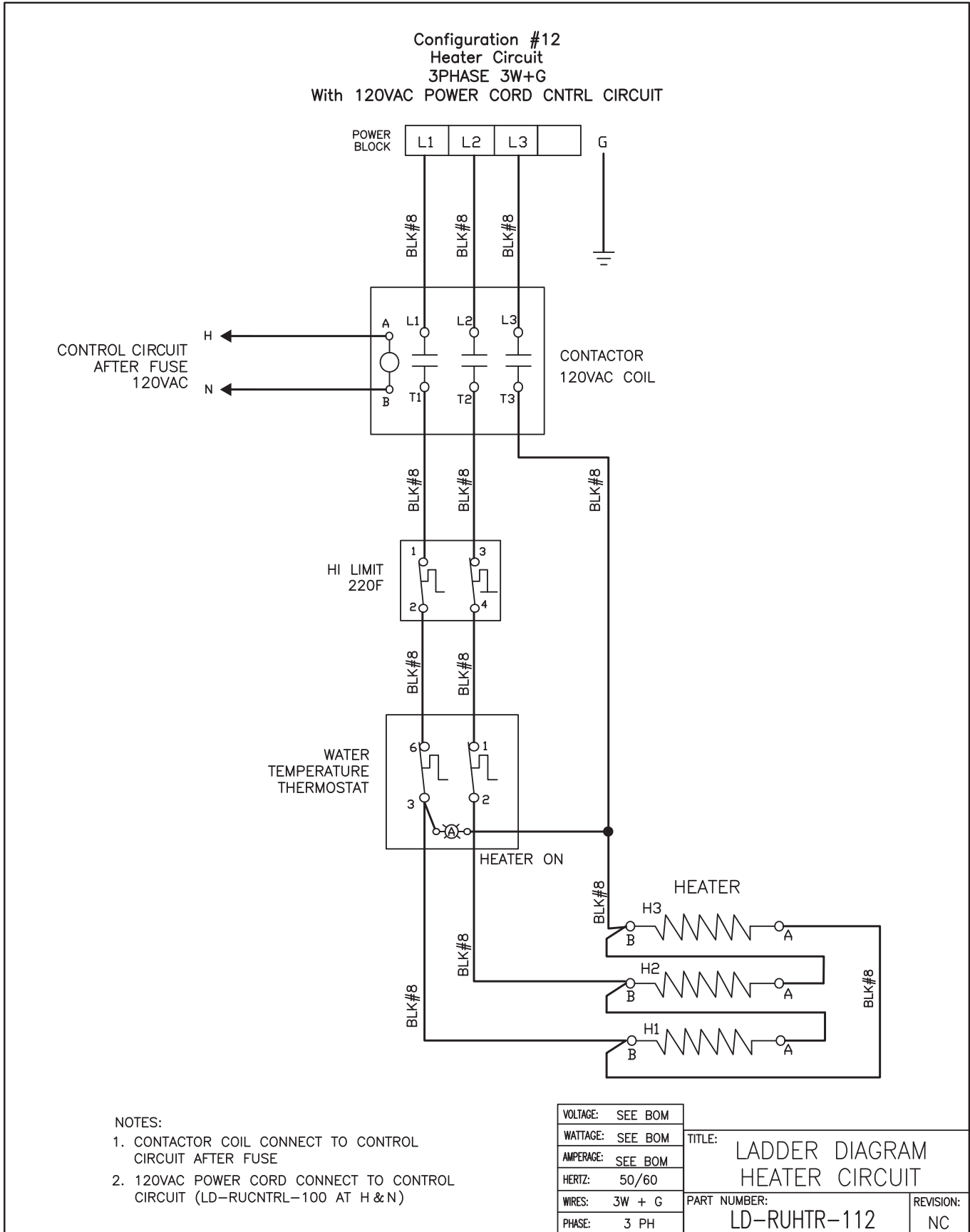


RU Series Heater Circuit, RU-225-12, RU-300-12, RU-600-12



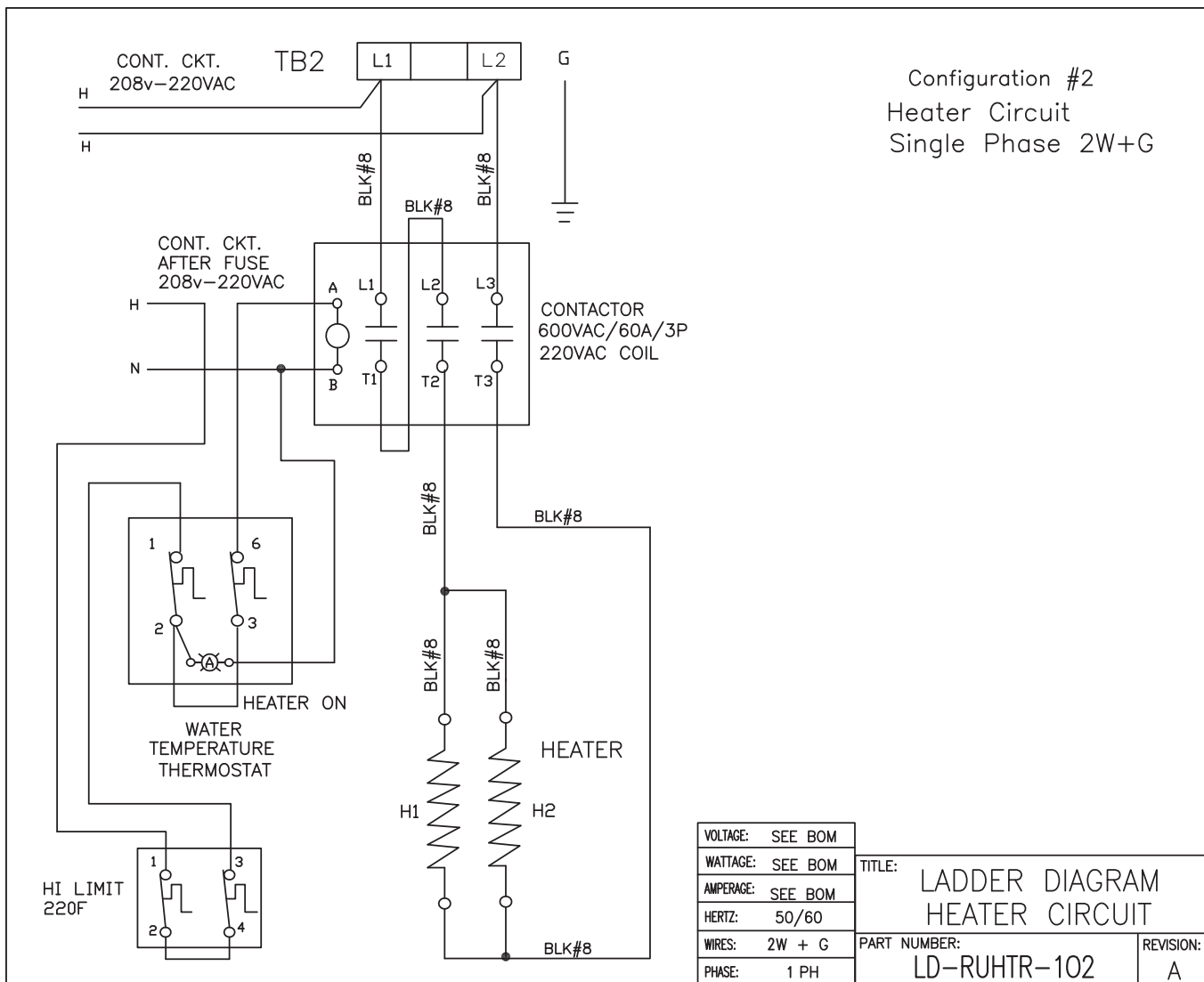


RU Series Heater Circuit, RU-150-20, RU-225-20, RU-300-20, RU-600-20, RU-1000-20

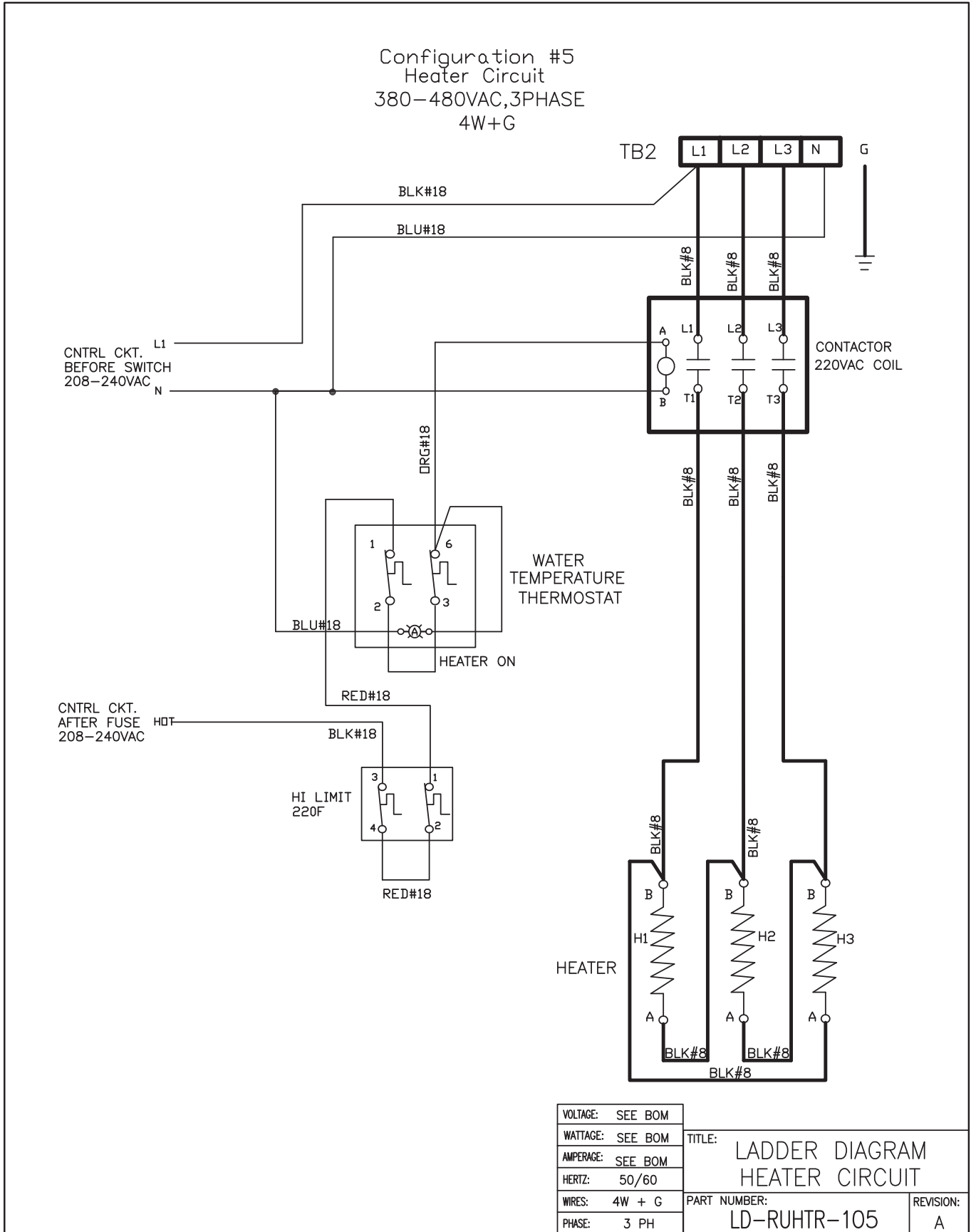




RU Series Heater Circuit, RU-300-63, RU-600-63



RU Series Heater Circuit, RU-150-91, RU-300-91, RU-600-91, RU-1000-91



**WARNING:**

**Electric Shock Hazard** - the following procedures are to be performed only by a qualified service technician. Turn off power when replacing components. Neither Wilbur Curtis Co., Inc. nor the seller can be held responsible for the interpretation of this information, or any liability in connection with its use.

**Scald and Burn Hazard** - keep body parts clear of hot surfaces during troubleshooting.

**Troubleshooting Guidelines**

- An urn that is not level may not function properly. Make sure the urn is properly leveled before proceeding.
- This troubleshooting guide identifies some, but not all, of the possible causes for common problems that can occur.
- Use this troubleshooting guide along with the appropriate *ELECTRICAL SCHEMATIC*.

**No Power - Nothing Works**

- 1 Make sure the circuit breaker for the circuit supplying power to the urn is not tripped and is turned on. On units with both a 120 Volt and 220 Volt power supply, make sure both circuits are turned on.
- 2 On urns with a power plug, make sure it is connected to the power receptacle.
- 3 Make sure that the main power toggle switch on the bottom of the control box is turned ON.
- 4 Remove the fuse on the front of the control box and make sure it is not blown.
- 5 Remove the electrical box cover and verify that all wires from the power cord are properly connected inside the unit. Check to make sure the wires are not burned/overheated. Check chassis ground.

**Urn Does Not Start to Brew When BREW BUTTON is Pressed**

If the urn starts to brew when the BREW BUTTON is pressed, but stops brewing when it is released, see *Brewing Stops When BREW BUTTON is released*.

- 1 First check the water level in the water jacket. If the water level is low, see *Water Jacket Does Not Fill*.
- 2 Press the BREW BUTTON and check for power across the terminals of the brew pump. If there is power to the pump, but water does not flow, replace the pump.
- 3 If the brew pump is not getting power, first check for faulty wiring and connections between the timer and the pump.
- 4 If the wiring is OK, check for power across terminals 2 and 3 and across terminals 3 and 9 on the timer.
- 5 If power is being supplied to the timer, check to make sure power is supplied to pin 5 of the timer when the BREW BUTTON is pressed. If power is being supplied to all the terminals checked in steps 4 and 5, but there is no power supplied to the pump when the BREW BUTTON is pressed, replace the timer. After replacing the timer, set the timer as instructed in the *Setting the Timer* section on the following page.

**Brewing Stops When BREW BUTTON is Released**

The brew light stays on only while the switch is pressed, but turns off when released and water comes out of the spray head only while the switch is kept pressed. Normally, the timer should reset itself to the N. O. position after every brewing cycle but if it fails to reset, brewing will stop when the button is released.

- 1 Turn off power to the urn.
- 2 Disconnect the wires to terminals 8 and 9 on the timer.
- 3 Using a multi-meter, check for continuity between terminals 8 and 9 on the timer. If there is continuity, the timer is faulty and must be replaced. After replacing the timer, set the timer as instructed in the *Setting the Brew Timer* section on the following page.

**Liner Not Filled To Normal Level During Brewing**

- 1 Before brewing, make sure that the water jacket is full. If water flow into the jacket is slow, see *Water Jacket Does Not Fill*.
- 2 Check the position of the batch switch.
- 3 Check for obstructions in the spray head and spray head water supply tubing that slow down the delivery rate of the water during brewing. Also check to make sure that the pump is working properly.
- 4 Run a brew cycle with the batch switch in one position, then a second time with the switch in the opposite position. If the brew time/volume does not change based on the position of the switch, check the batch selector switch and wiring harness. If both are OK, replace the timer.
- 5 If the batch switch is working, try changing the timer setting. See *Setting the Brew Timer*. If changing the timer setting does not lengthen the brew cycle sufficiently, replace the timer.

**Brew Light Does Not Come on During Brewing**

Press the brew button and check for power to the light. If power is being supplied, but the light does not come on, replace the BREW BUTTON assembly.

**Liner Overflows During Brewing**

- 1 Check to make sure the liner is empty before starting a brew cycle.
- 2 Try changing the timer setting. See *Setting the Brew Timer*. If changing the timer setting does not shorten the brew cycle sufficiently, replace the timer.

**Water Jacket Does Not Fill**

**IMPORTANT:** No water or low water in the water jacket can cause the water to overheat, resulting in the thermostat reset switch opening. If after correcting a jacket fill problem there is no power to the heating elements, push the reset switch button to reset.

---

- 1 Check to make sure the water supply is turned on. Check for a plugged water supply line or plugged inlet valve.
- 2 If there are no plugs in the water supply line, check for power across the inlet valve terminals. If power is being supplied, but there is no water flow, repair or replace the inlet valve.
- 3 If power is not being supplied to the inlet valve, check the wires between the liquid level control board and the inlet valve. Check for corroded connections.
- 4 If the wiring between the water level control board, and the inlet valve is OK, disconnect the orange wire from the control board. If the water tank starts to fill, either the wire or the probe is shorted to ground. If the water tank does not start to fill, replace the control board.
- 5 Check for water level error, if an error is present the LED on the control board will blink/flash the following pattern: 3 long - 1 short.

**Water Jacket Overfills**

- 1 Turn the toggle switch on the bottom of the control box ON and OFF. If water continues to flow when the switch is in both positions, replace the inlet valve.
- 2 If water stops flowing to the water jacket when the toggle switch is turned OFF and resumes when the switch is turned back ON, remove the orange wire from the water probe inside the control box. While power is ON, short the end of the orange wire to ground. If the water jacket stops filling, check for a corroded connections at both ends of the orange wire.
- 3 If water does not stop flowing when the orange wire is shorted to ground, check the ground wire to the water level control board and the continuity of the orange wire. If all connections are OK, replace the control board.

**Air Does Not Flow Through One (or Both) Tubes When AERATE Button is Pressed**

**i IMPORTANT:** On older units, when reconnecting the silicone tubing to the copper tubes inside the control box, make sure that you do not cover the small holes on the copper tubes. See the diagram on the following page.

- 1 Remove the aeration tubing from the copper tubes (or tee) inside the control box. Press the AERATE button. Air should blow through both tubes. If air blows through only one tube or the pump makes noise but air does not come out of either tube, replace the pump. If air comes out of both tubes, skip to step 3.
- 2 If the pump does not make noise when the AERATE button is pressed, check to make sure the pump is getting power. If the pump is getting power when the button is pressed, but does not operate, replace the pump.
- 3 If the pump is working normally, reconnect the tubing inside the control box. Press the AERATE button and check for leaks in the aeration system. See the diagram on the following page.

**Automatic Aeration Does Not Work, Manual (AERATE) Button Works OK**

Remove the black wire from terminal 1 on the aeration timer. Disconnect the black wire from the aerator switch. Plug the wire from the switch into terminal 1 of the timer. The air pump should immediately start pumping air into the liner. If the pump works, replace the agitation timer. If the pump does not work, check the wiring between the aeration timer and the pump.

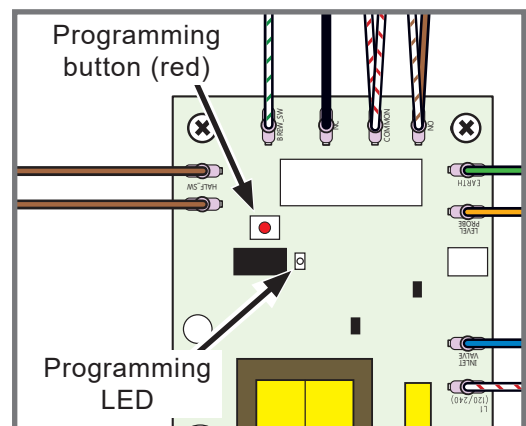
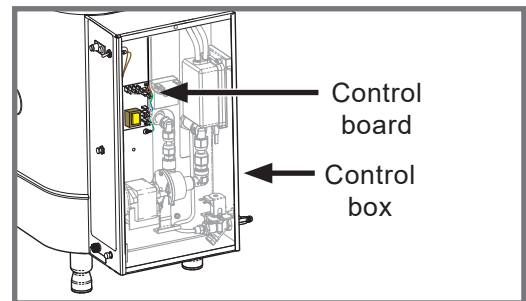
**Coffee Does Not Flow Back Into Gauge After Aeration**

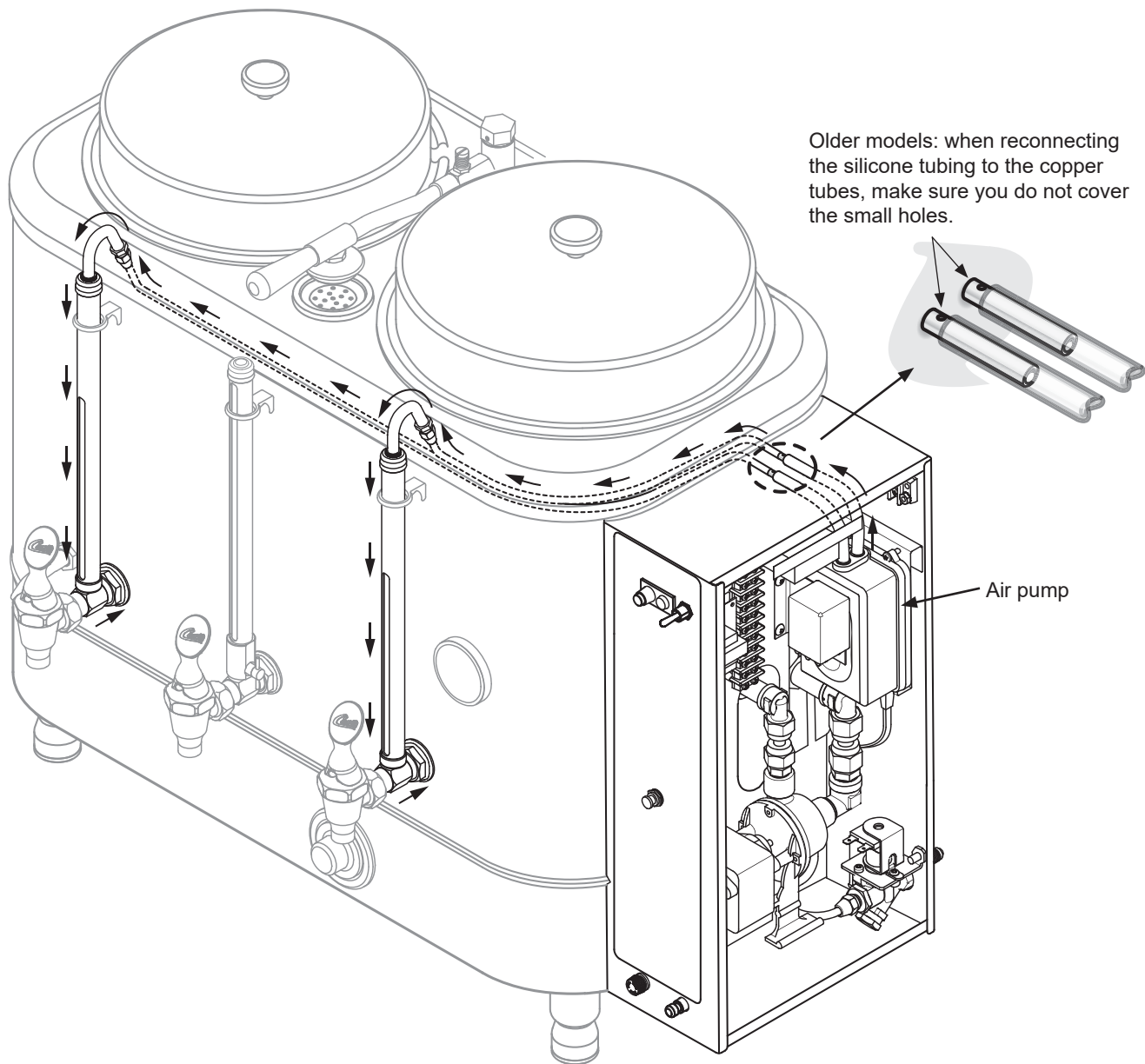
Older model urns are equipped with holes in the top of the copper tubes that feed air to the gauge assemblies. See the diagram on the following page for location. Make sure that the holes are not covered by the silicone tubing from the pump. If the holes are not exposed, coffee will not flow back into the gauge after aeration.

**Setting the Brew Timer (Brew Volume)**

**! WARNING:** During programming, keep hands clear of all bare wires/terminals. Touch only the control board. Keep all body parts clear of the liner/spray arm to avoid scalding.

- 1 Remove the side cover from the control box. Power must be connected and the water supply on. Turn the toggle switch on the bottom of the control box ON.
- 2 Wait for the water jacket to fill and heat.
- 3 Turn the batch selector switch to HALF BREW/ONE POUND.
- 4 Remove the lid and brew basket from the urn liner and swing the spray arm into place.
- 5 Make sure the liner is empty.
- 6 Push and hold the programming button until the programming LED flashes.
- 7 Press the BREW button on the front panel.
- 8 When the liner is half full, press the BREW button again. Half batch is now programmed.
- 9 Empty the liner.
- 10 Turn the batch selector switch to the FULL BREW or TWO POUNDS position and repeat steps 4 through 9 when the brew light comes back on, this time waiting for the liner to fill all the way during programming.





**Aeration System Airflow Diagram - RU-300 Shown**

**Water Does Not Heat At All**

If the water heats, but is not hot enough, see *Water Not Hot Enough*.

The following steps are performed with the control box toggle switch in the ON position.

- 1 Check for power across the terminals of the heating element(s). If power is being supplied, remove the wires and check for an open heating element (nominal resistance is 13 Ohms).
- 2 If there is no power to the element, trace the circuit back (using the *ELECTRICAL SCHEMATIC*) to the power source(s) to find out where power is lost.

**Water Heats More Slowly Than Usual**

- 1 Check for the proper voltage across the terminals of the heating element.
- 2 If the proper voltage is being supplied, disconnect the heating element and check for high resistance (nominal resistance should be 13 Ohms). Replace a heating element if the resistance is too high.

**Water Not Hot Enough**

- 1 Check for the correct temperature setting on the thermostat knob.
- 2 Make sure that the water has had sufficient time to heat. Heating time for cold water can be up to 60 minutes.
- 3 If the temperature setting is OK, check the heating elements for high resistance (nominal resistance should be 13 Ohms). Also make sure all elements are getting power.
- 4 If the elements are OK, contact the Curtis Technical Support department to determine if temperature adjustments are necessary.

**Water Too Hot (Boiling or Excessive Steaming)**

- 1 If operating the urn at higher elevations, contact the Curtis Technical Support department to determine if temperature adjustments are necessary.
- 2 Check for a thermostat that is stuck closed. Replace as necessary.

Wilbur Curtis Co., Inc. certifies that its products are free from defects in material and workmanship under normal use. The following limited warranties and conditions apply:

- 3 years, parts and labor, from original date of purchase on digital control boards
- 2 years, parts, from original date of purchase on all other electrical components, fittings and tubing
- 1 year, labor, from original date of purchase on all other electrical components, fittings and tubing

Additionally, Wilbur Curtis Co., Inc. warrants its grinding burrs for four (4) years from the date of purchase. Stainless steel components are warranted for two (2) years from the date of purchase against leaking or pitting. Replacement parts are warranted for ninety (90) days from the date of purchase or for the remainder of the limited warranty period of the equipment in which the component is installed.

All in-warranty service calls must have prior authorization. For authorization, call the Technical Support Department at 800-995-0417. Additional conditions may apply. Go to [www.wilburcurtis.com](http://www.wilburcurtis.com) to view the full product warranty information.

## CONDITIONS & EXCEPTIONS

The warranty covers original equipment at time of purchase only. Wilbur Curtis Co., Inc., assumes no responsibility for substitute replacement parts installed on Curtis equipment that have not been purchased from Wilbur Curtis Co., Inc. Wilbur Curtis Co., Inc. will not accept any responsibility if the following conditions are not met. The warranty does not cover:

- **Adjustments and cleaning:** *The resetting of safety thermostats and circuit breakers, programming and temperature adjustments are the responsibility of the equipment owner. The owner is responsible for proper cleaning and regular maintenance of this equipment.*
- **Replacement of items subject to normal use and wear:** *This shall include, but is not limited to, spray heads, faucets, light bulbs, shear disks, "O" rings, gaskets, silicone tubing, silicone elbows, canister assemblies, whipper chambers and plates, mixing bowls, agitation assemblies and whipper propellers.*

The warranty is void under the following circumstances:

- **Improper operation of equipment:** *The equipment must be used for its designed and intended purpose and function.*
- **Improper installation of equipment:** *This equipment must be installed by a professional technician and must comply with all local electrical, mechanical and plumbing codes.*
- **Improper voltage:** *Equipment must be installed at the voltage stated on the serial plate supplied with this equipment.*
- **Improper water supply:** *This includes, but is not limited to, excessive or low water pressure and inadequate or fluctuating water flow rate.*
- **Damaged in transit:** *Equipment damaged in transit is the responsibility of the freight company and a claim should be made with the carrier.*
- **Abuse or neglect (including failure to periodically clean or remove lime accumulations):** *The manufacturer is not responsible for variation in equipment operation due to excessive lime or local water conditions. The equipment must be maintained according to the manufacturer's recommendations.*
- **Unauthorized repair or modification:** *This equipment must be serviced only by qualified service technicians, using factory specified parts to factory specifications.*
- **Modified/Missing Serial Tag:** *The serial number label (tag) must not be defaced or removed.*

**Repairs and/or Replacements** are subject to Curtis' decision that the workmanship or parts were faulty and the defects showed up under normal use. All labor shall be performed during regular working hours. Overtime charges are the responsibility of the owner. Charges incurred by delays, waiting time, or operating restrictions that hinder the service technician's ability to perform service is the responsibility of the owner of the equipment. This includes institutional and correctional facilities. Wilbur Curtis Co., Inc. will allow up to 100 miles, round trip, per in-warranty service call.

**Return Merchandise Authorization (RMA):** All claims under this warranty must be submitted to the Wilbur Curtis Technical Support Department prior to performing any repair work or return of this equipment to the factory. **All returned equipment must be properly re-packaged in the original carton and received by Curtis within 45 days following the issuance of a RMA.** No units will be accepted if they are damaged in transit due to improper packaging. **NO UNITS OR PARTS WILL BE ACCEPTED WITHOUT A RETURN MERCHANDISE AUTHORIZATION (RMA). THE RMA NUMBER MUST BE MARKED ON THE CARTON OR SHIPPING LABEL. All warranty claims must be submitted within 60 days of service. Invoices will not be processed or accepted without a RMA number. Any defective parts must be returned in order for warranty invoices to be processed and approved.** All in-warranty service calls must be performed by an authorized service agent. Call the Wilbur Curtis Technical Support Department to find an agent near you.