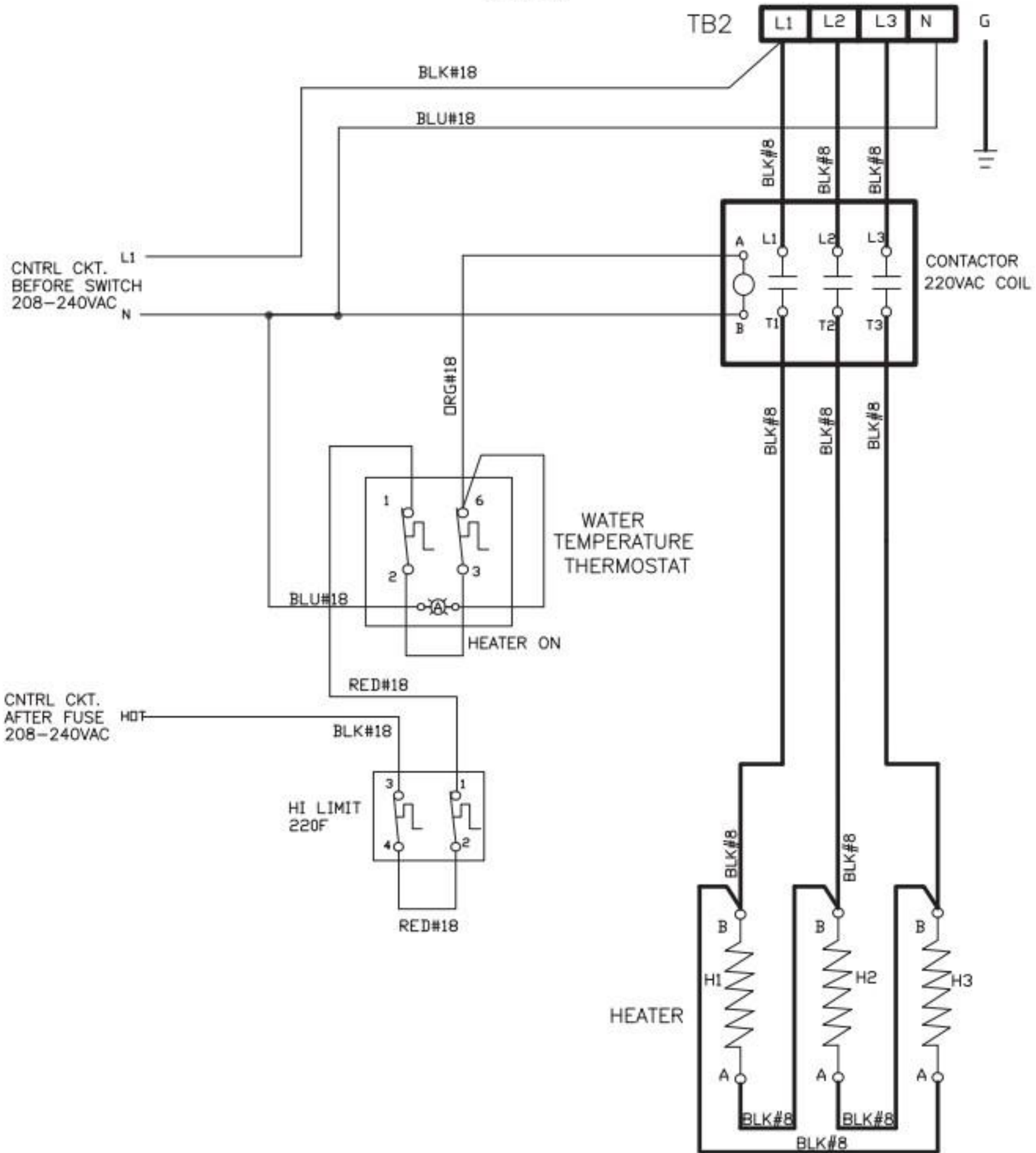
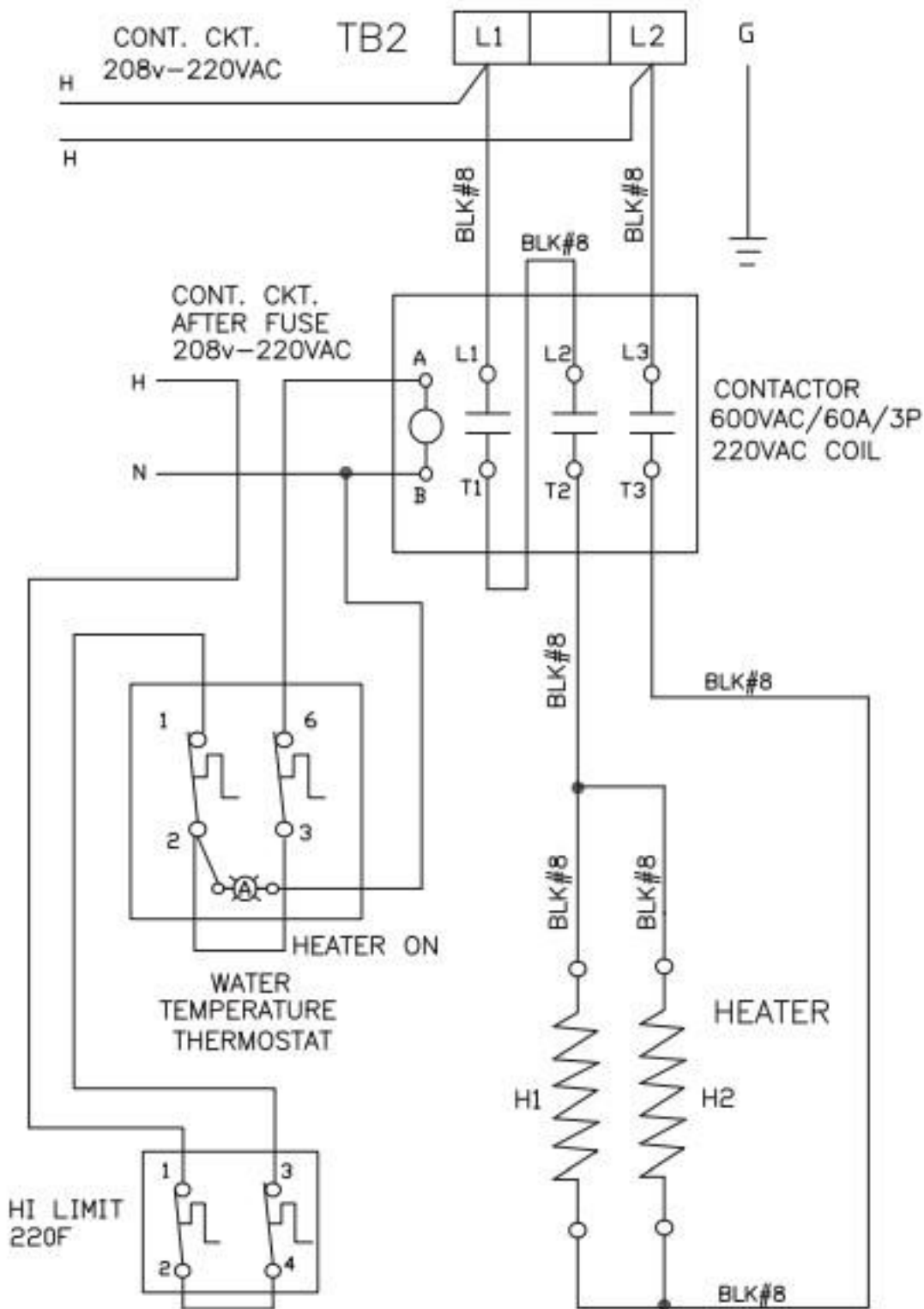
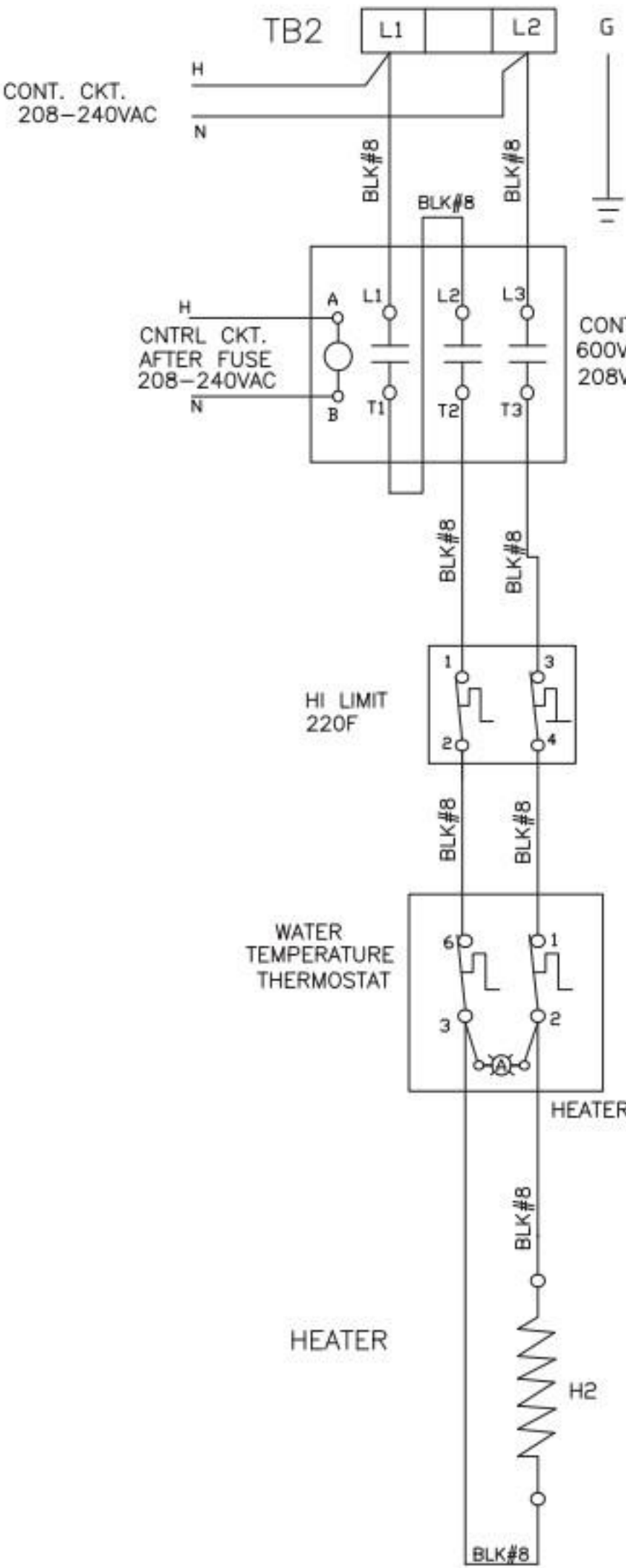


Configuration #5
Heater Circuit
380-480VAC, 3PHASE
4W+G





Configuration #11
 Heater Circuit
 Single Phase 2W+G

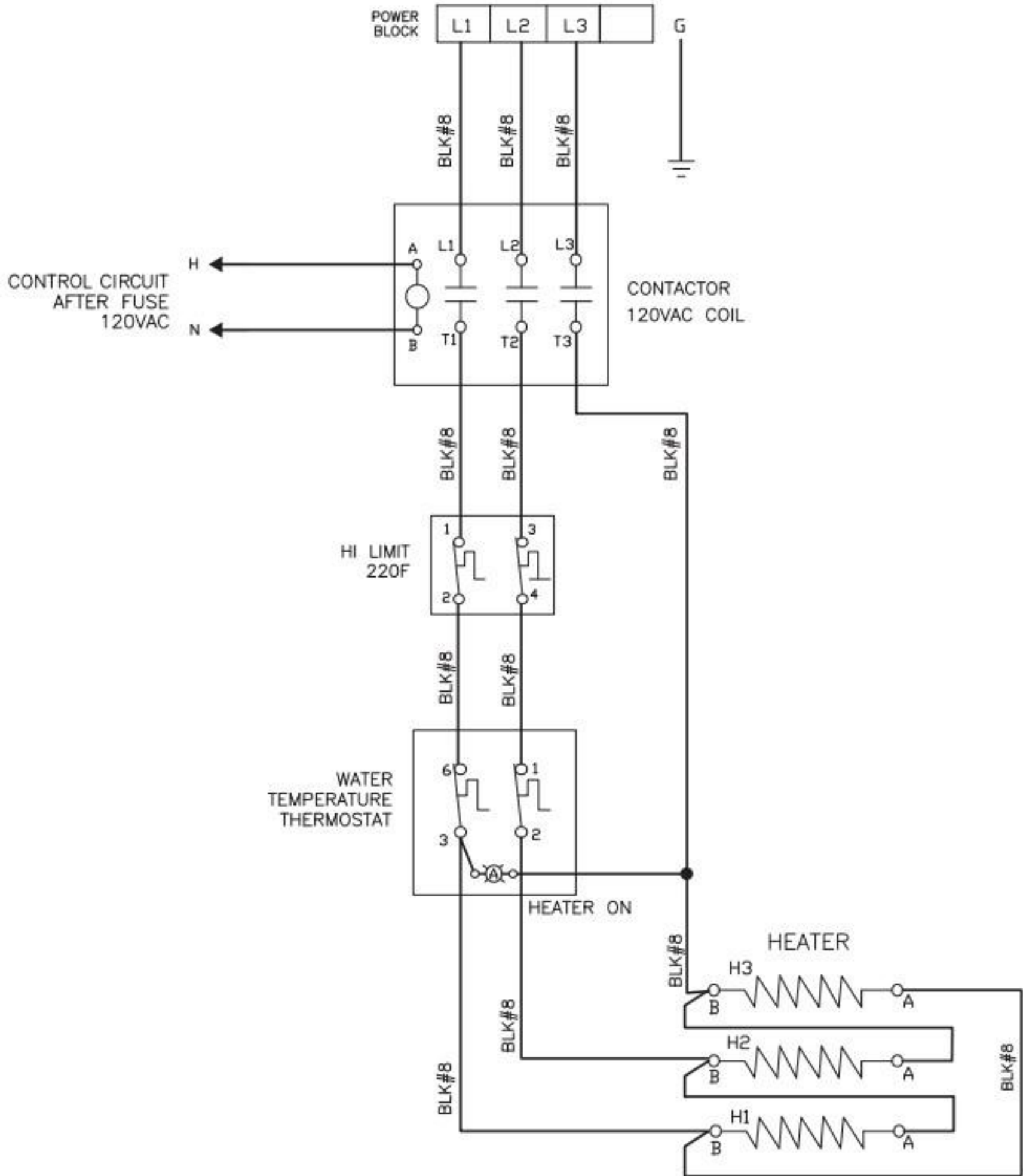


VOLTAGE: SEE BOM

WATTAGE: SEE BOM

TITLE: LADD

Configuration #12
 Heater Circuit
 3PHASE 3W+G
 With 120VAC POWER CORD CNTRL CIRCUIT



Configuration #1
Heater Circuit
Single Phase 3W+G

