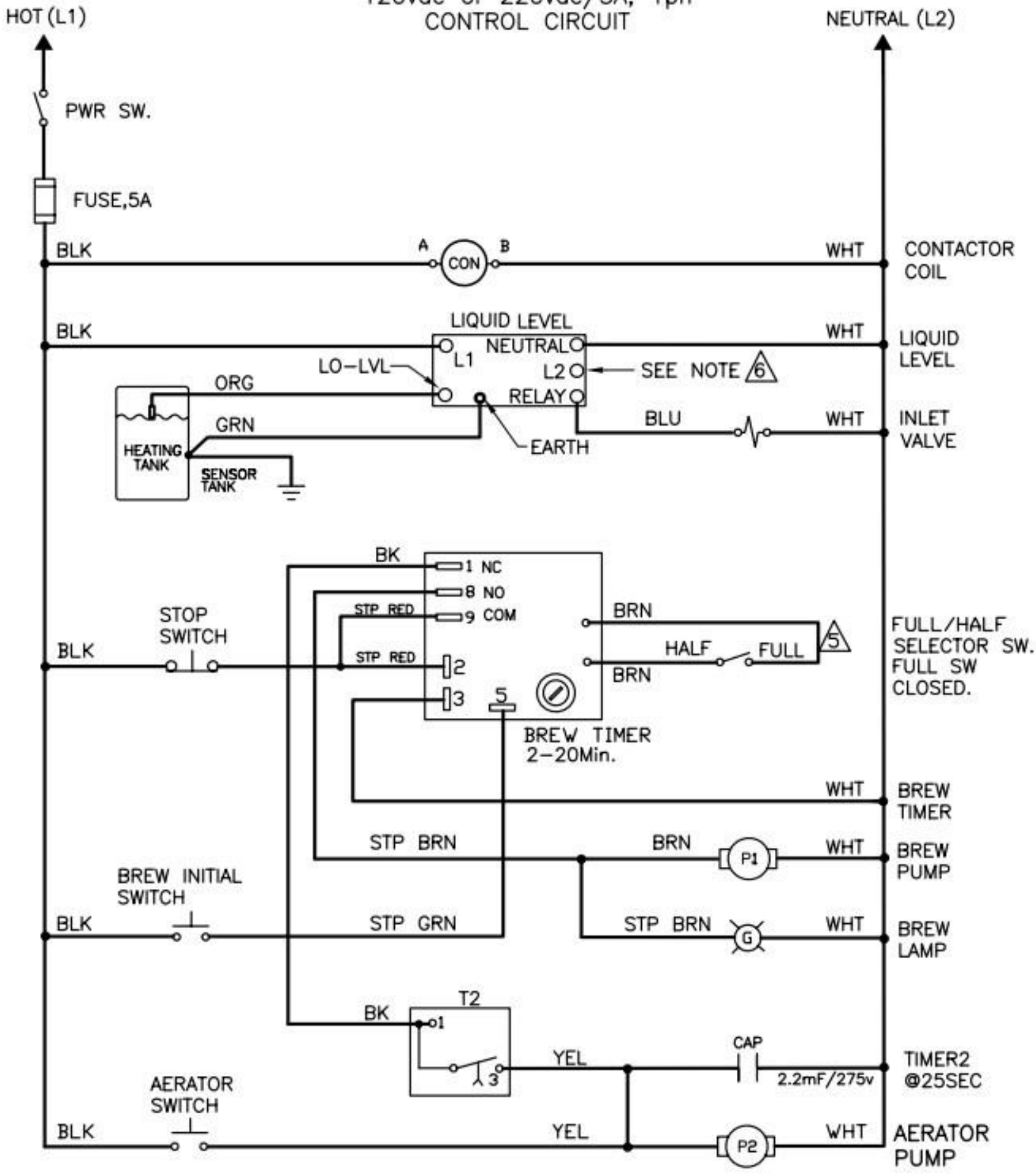


Pwr Supply
120vac or 220vac/5A, 1ph
CONTROL CIRCUIT



Configuration #12
 Heater Circuit
 3PHASE 3W+G
 With 120VAC POWER CORD CNTRL CIRCUIT

