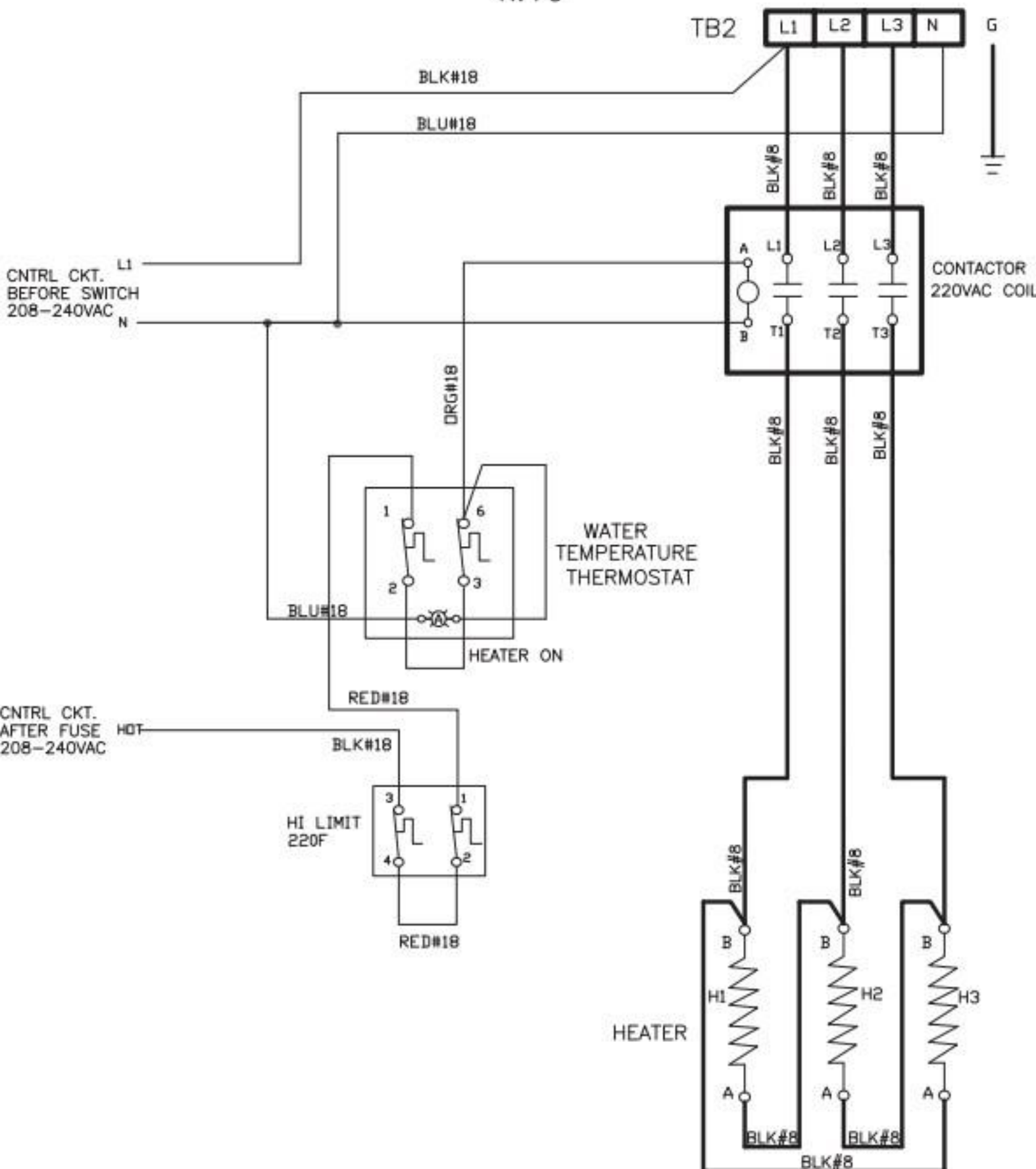
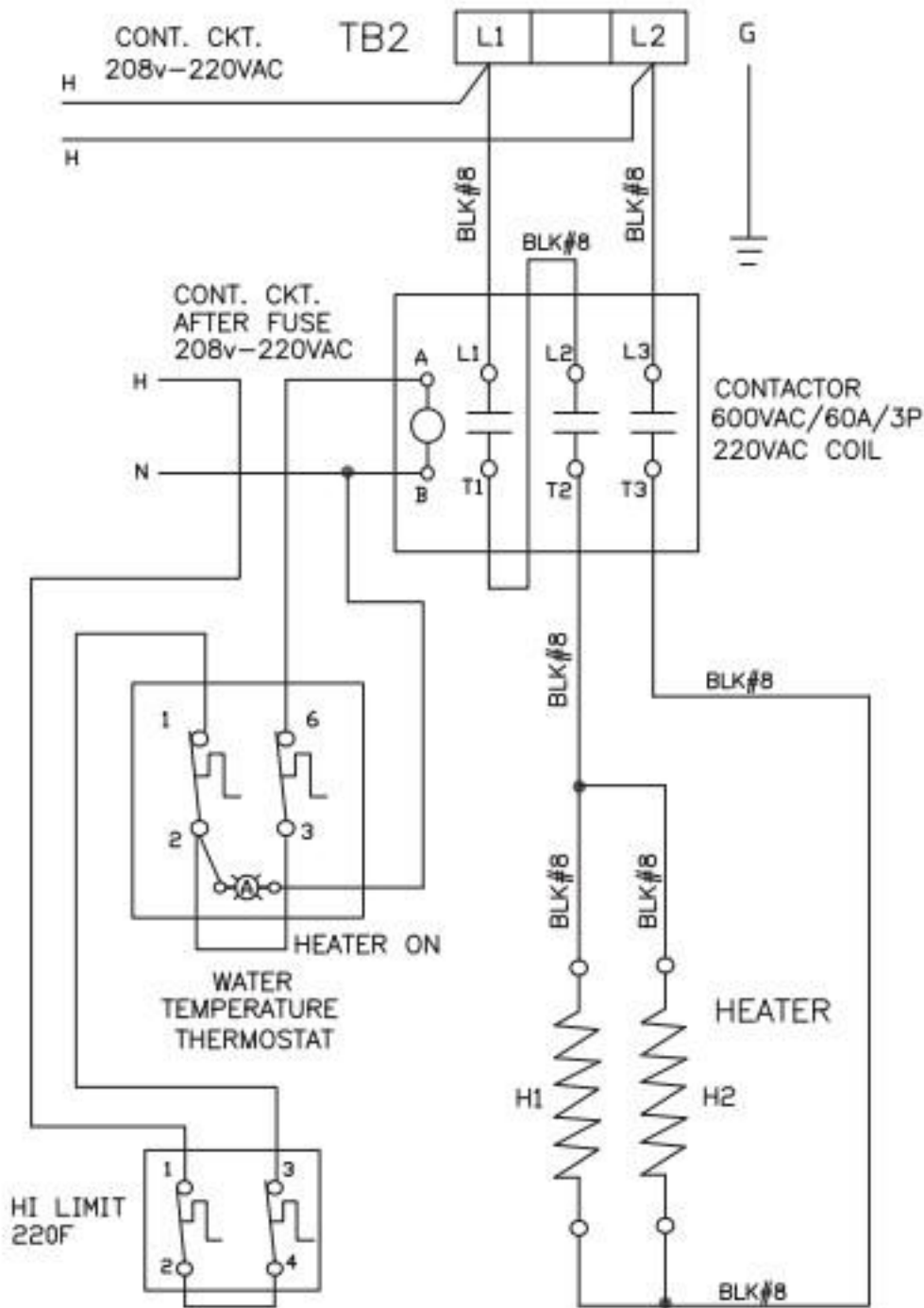
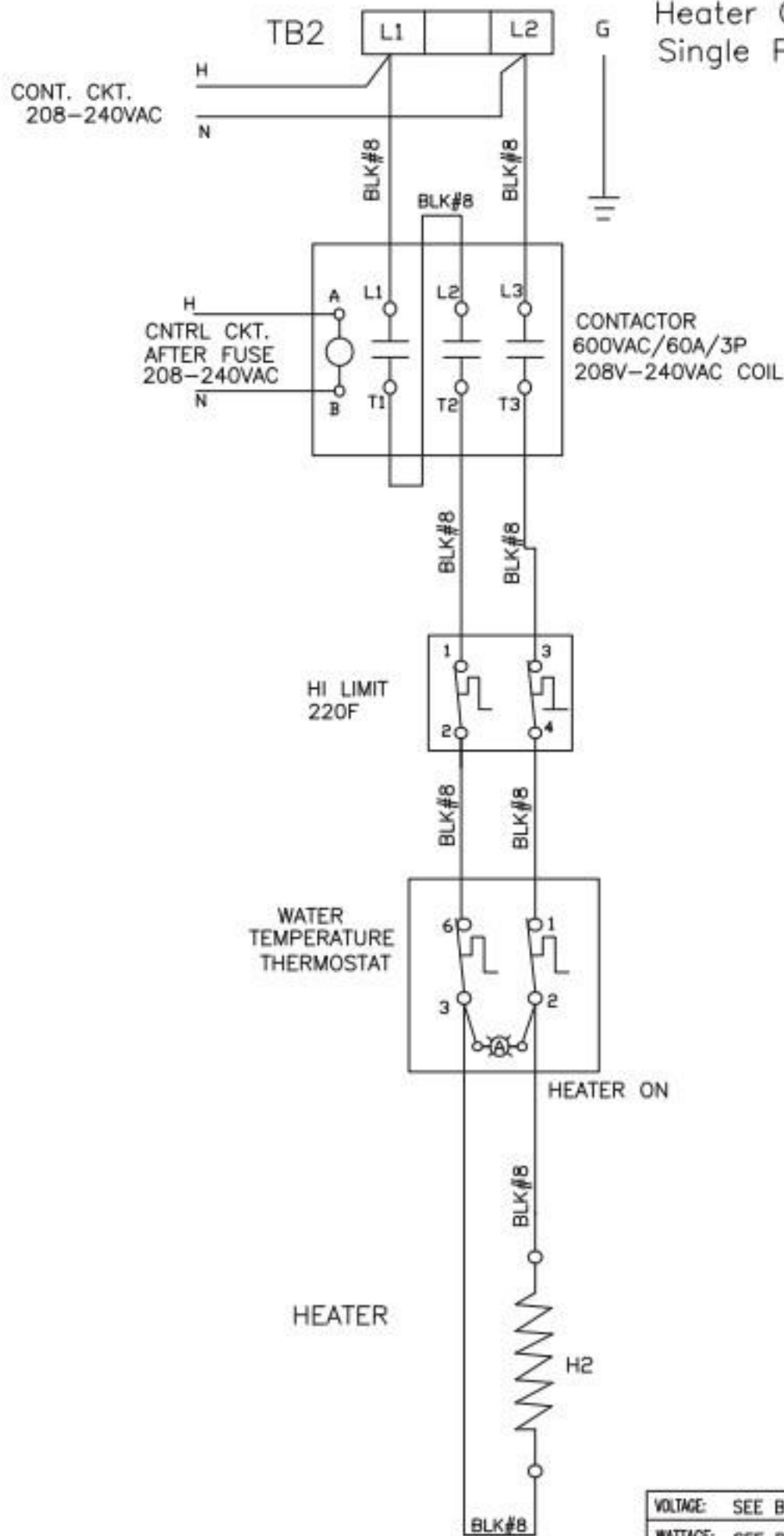


Configuration #5  
 Heater Circuit  
 380-480VAC, 3PHASE  
 4W+G





Configuration #11  
 Heater Circuit  
 Single Phase 2W+G

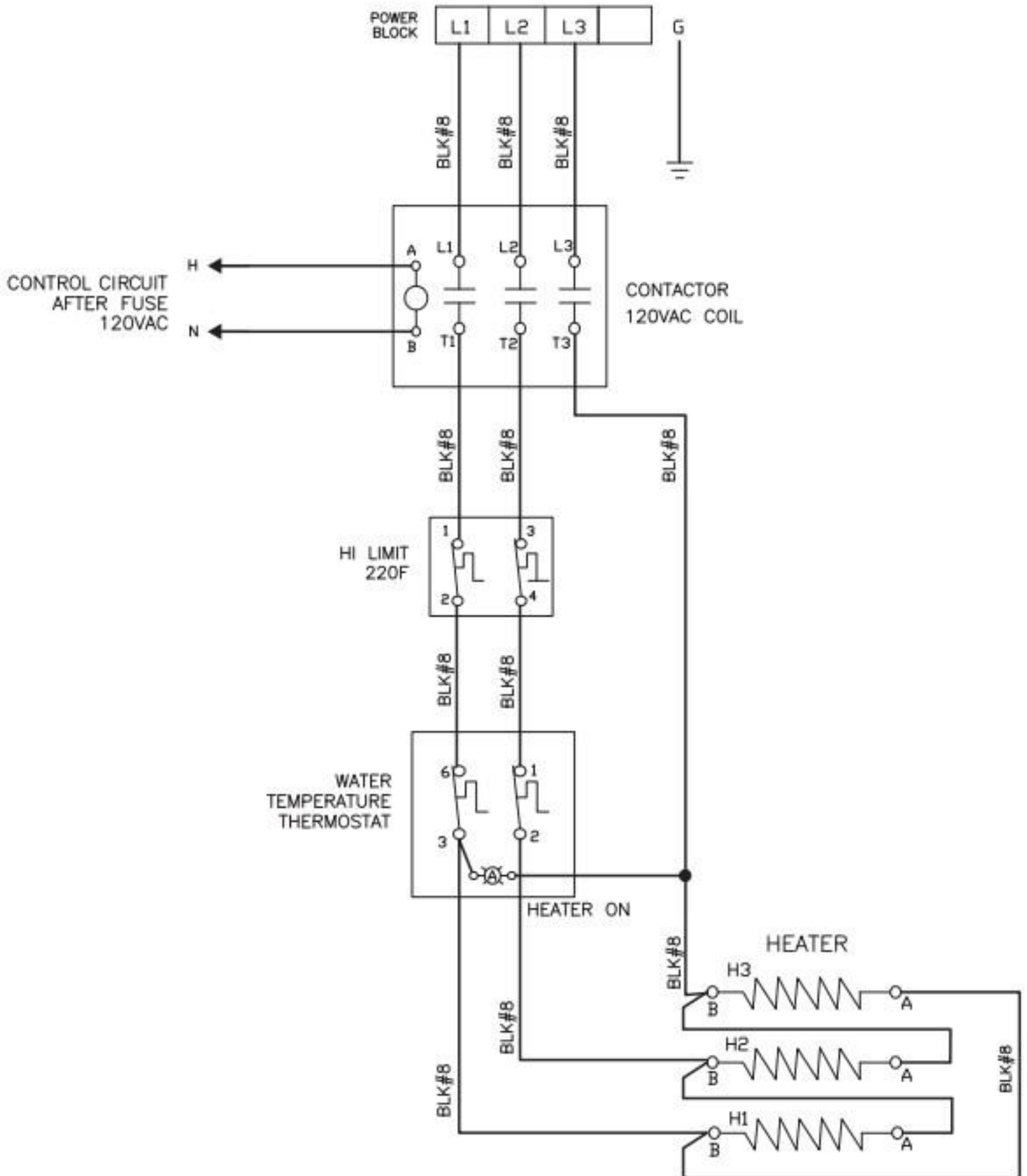


VOLTAGE: SEE BOM

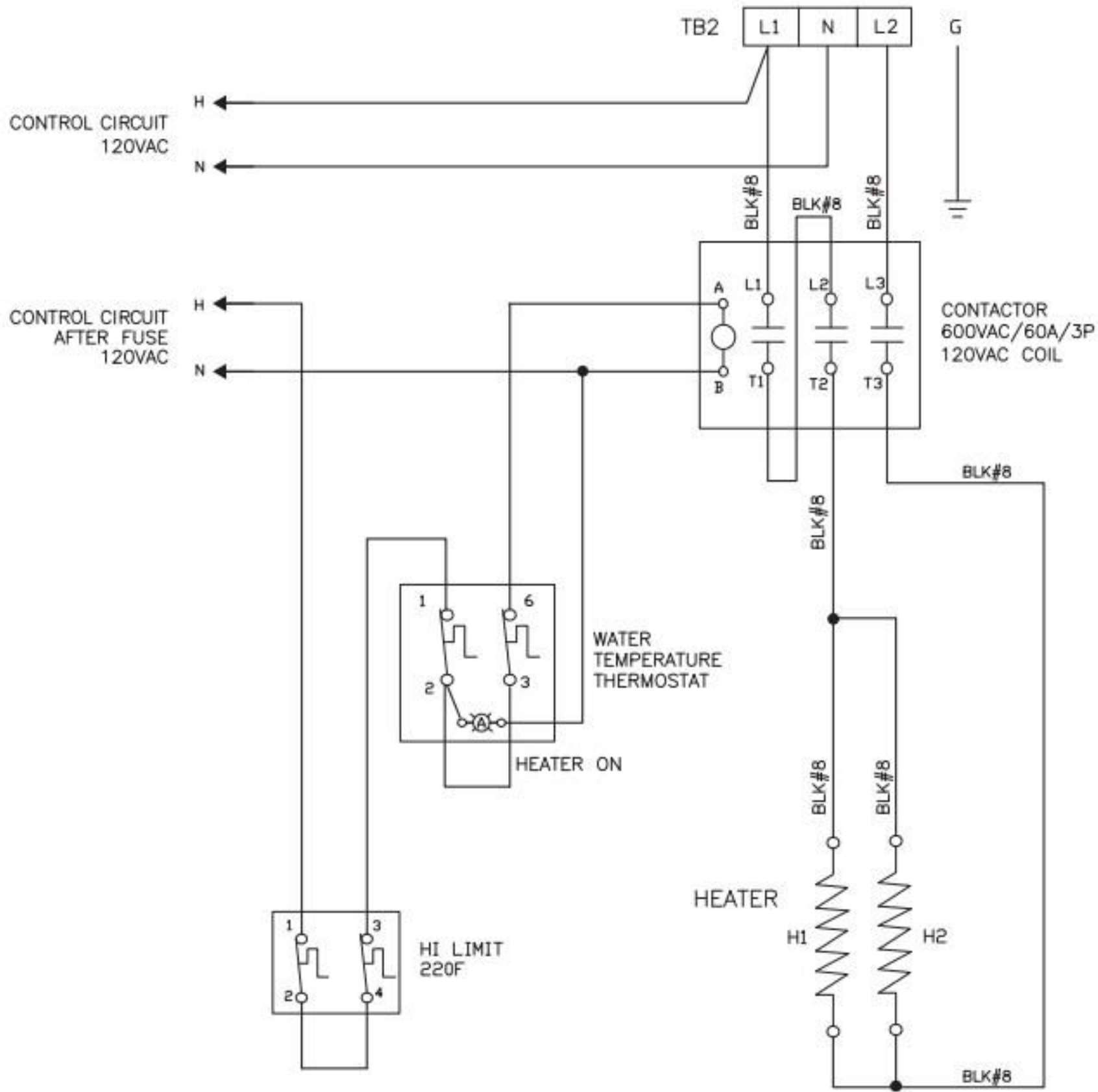
WATTAGE: SEE BOM

TITLE: A.P.S.

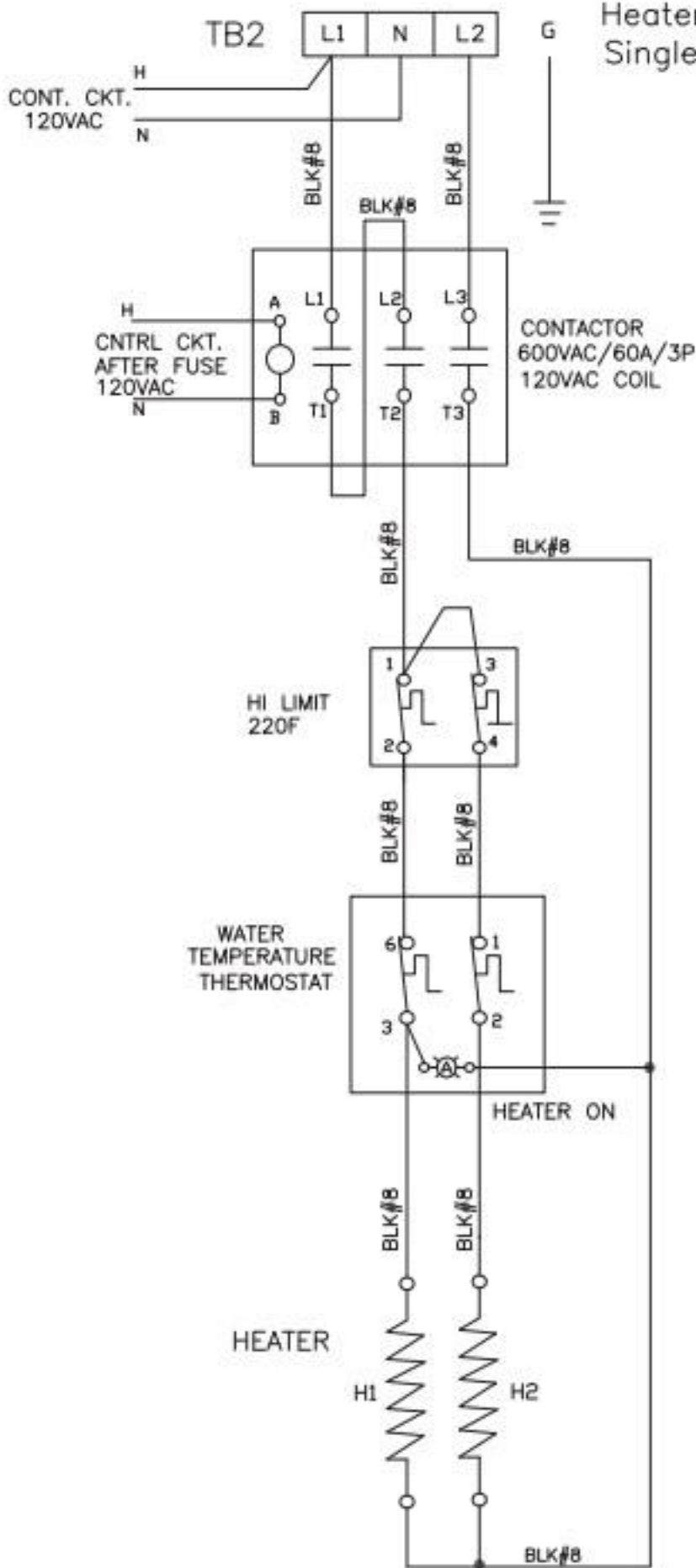
Configuration #12  
Heater Circuit  
3PHASE 3W+G  
With 120VAC POWER CORD CNTRL CIRCUIT



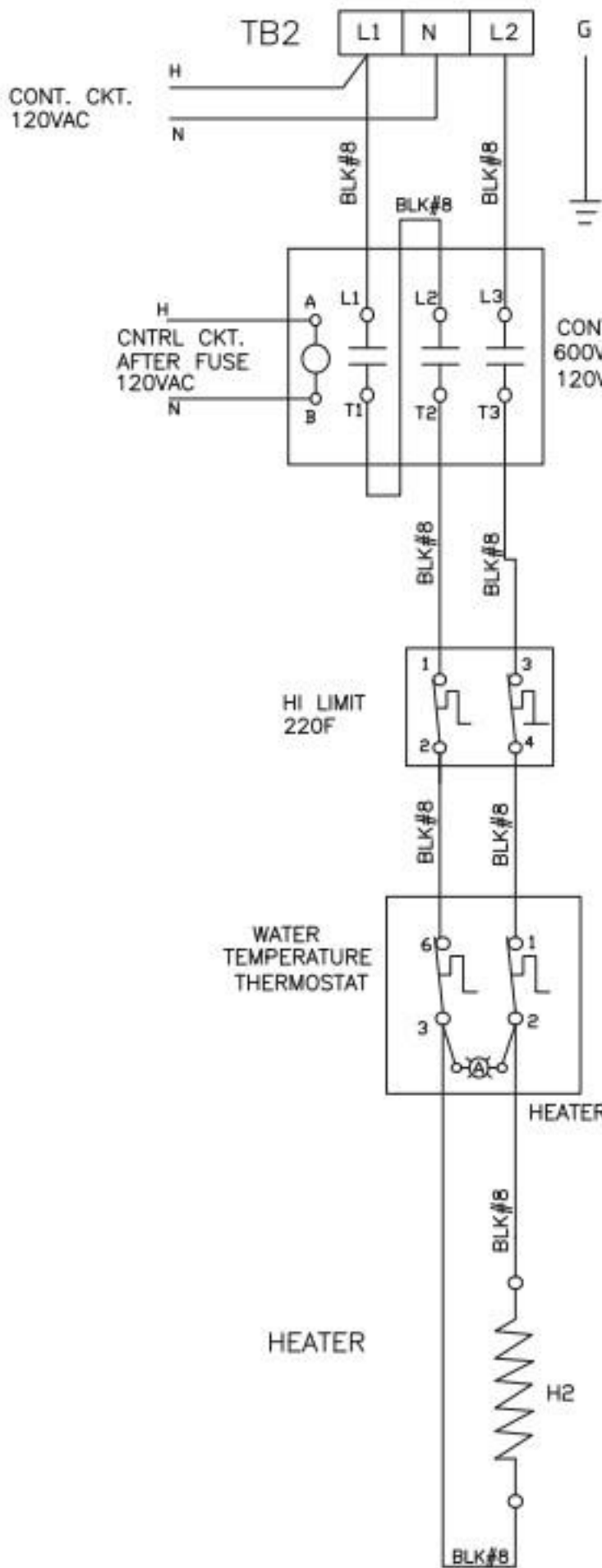
Configuration #3  
Heater Circuit  
Single Phase 3W+G



Configuration #1  
Heater Circuit  
Single Phase 3W+G



Configuration #10  
 Heater Circuit  
 Single Phase 3W+G



VOLTAGE:	SEE BOM
WATTAGE:	SEE BOM

TITLE: LADD

