



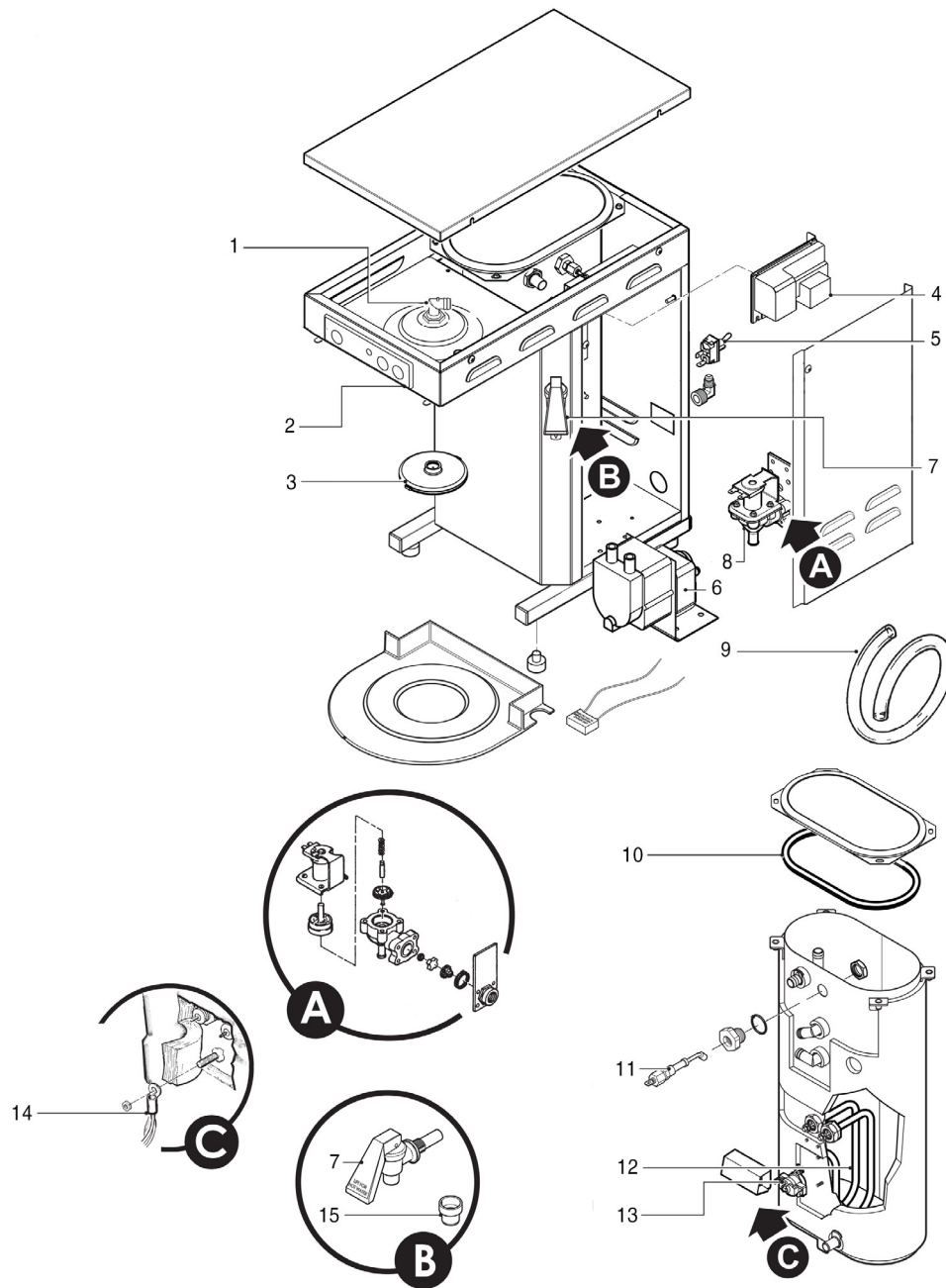
G3 LOW PROFILE AIRPOT BREWER

TROUBLESHOOTING GUIDE



TLP

BREWER PARTS IDENTIFICATION



PART #	DESCRIPTION	PART #	DESCRIPTION
1. WC-2962-101K	KIT, FITTING SPRAYHEAD KYNAR	9. WC-5310	TUBE, 5/16 ID x 1/8W SILICONE
2. WC-717	CONTROL BOARD, SMART CARD SWITCH PANEL	10. WC-43062	GASKET, TANK
3. WC-29030	SPRAYHEAD ASSY, ADVANCED FLOW ORANGE	11. WC-5502-01	KIT, PROBE, ASSY WATER LEVEL W/HEX FITTING, O-RING & NUT
4. WC-715	CONTROL MODULE, TLP 120V 16PIN	12. WC-917-04	ELEMENT, HEATING 1.45KW 120V W/JAM NUTS & SILICONE WASHER
5. WC-102	SWITCH, TOGGLE SPST 25A 250VAC RESISTIVE	13. WC-523	THERMOSTAT, MANUAL RESET 120/220 VAC 25A 220 DEG F MAX
6. WC-1040	PUMP, WATER CENTRIFUGAL 120V 60 Hz	14. WC-1438-101	SENSOR, HEATING TANK
7. WC-1809	FAUCET, PS/HPS SERIES HOT WATER 1/2-20 UNF AP/ALP	15. WC-1806	SEAT CUP, SILICONE
8. WC-826L	VALVE INLET 1GPM 120V 10W		

PARTS IMAGES

1



WC-2962-101K
KIT, FITTING SPRAYHEAD KYNAR

2



WC-717
CONTROL BOARD

3



WC-29030
SPRAYHEAD ASSY, ORANGE

4



WC-715
CONTROL MODULE

5



WC-102
TOGGLE SWITCH

6



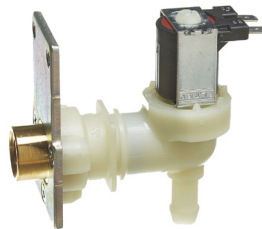
WC-1040
WATER PUMP

7



WC-1809
FAUCET, HOT WATER

8



WC-826L
VALVE INLET

9



WC-5310
SILICONE TUBE

10



WC-43062
GASKET, TANK

11



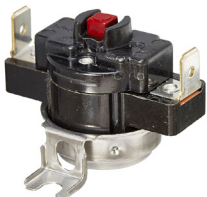
WC-5502-01
KIT, PROBE, O-RING & NUT

12



WC-917-04
ELEMENT, HEATING

13



WC-523
THERMOSTAT, MANUAL

14



WC-1438-101
SENSOR, HEATING TANK

15



WC-1806
SEAT CUP, SILICONE

TROUBLESHOOTING INSTRUCTIONS

POWER ISSUES

The unit will not turn on:

STEP 1. Verify that the panel breaker is turned on.

STEP 2. Verify voltage at the receptacle reads: (L1-N = 120v, N-G = 0v).

STEP 3. Verify that the power cord is properly connected to the receptacle.

STEP 4. Verify that the toggle switch is in the ON position.

STEP 5. Verify the voltage at the reset thermostat, it should read 120v between each terminal + neutral.

STEP 6. Verify the voltage at the toggle switch, it should read: 120v between each terminal + neutral.

STEP 7. Verify that there is 120v between pins #15 & #16 on the Molex connector at UPM.

STEP 8. If all steps were taken and unit doesn't turn on, verify 5 VDC between pins #1 & #2 on 4 pin connector on SPS module:

Yes: Replace SPS module.

No: Replace UPM.

HEATING ISSUES

Not heating:

STEP 1. Verify 120 volts across the manual reset thermostat.

Yes: Proceed to STEP 2.

No: Reset or replace the manual reset thermostat.

STEP 2. Verify 120 volts across the toggle switch.

Yes: Proceed to STEP 3.

No: Replace the toggle switch.

STEP 3. Verify 120 volts across the Heating Element.

Yes: Replace the heating element.

No: Replace the UPM.

Overheating/Steaming:

“Ready to Brew” OFF

STEP 1. Verify that the resistance on the temperature sensor is less than 10k ohm with a hot tank (200+ degrees).

Yes: Bypass the sensor using a jumper with a 5k ohm resistor.

No: Verify correct mounting and that the walls of the tank are free of mineral deposits. If the unit stops heating, replace the temperature sensor.

No: Replace the UPM.

“Ready to Brew” ON

Check for continuity between C & N O on UPM (Heating Relay). If continuity is present, replace UPM.

TANK FILLING ISSUES

Not filling:

“Ready to Brew” light flashes 3+1 (Water Level Error Code)

STEP 1. Verify the flow rate to be a minimum of 1 GPM from outlet of the water filter. If not, ensure that the inlet side of the water filter is receiving a minimum of 1 GPM.

Yes: Replace the water filter. If not, consult a plumber.

No: Remove the orange wire from the probe.

STEP 2. Does the tank start filling?

Yes: Replace the water level probe.

No: Verify 120 volts across the inlet valve coil.

STEP 3. Was 120 volts verified?

Yes: Replace inlet valve.

No: Replace UPM.

Overfilling:

Turn OFF toggle switch.

STEP 1. Does the tank continue to fill?

Yes: Replace water inlet valve.

No: Ground the probe wire to the chassis.

STEP 2. Does the tank continue to fill?

Yes: Replace the UPM

No: Replace the water level probe.

BREWING ISSUES

Ready to Brew is Flashing But...

No response when Brew Button is pressed. Replace the SPS Module.

No water flow from the sprayhead:

STEP 1. Does water flow from the hot water faucet?

Yes: Verify 120 volts at the pump.

If voltage is present at the pump, replace the pump.

No: If 120 volts is not present at the pump, confirm continuity of wiring between Molex connector and pump.

If OK, replace the UPM.

No: If water does not flow from the hot water faucet, replace the water level probe.

Short Pots:

STEP 1. Verify that the hot water tank is filling correctly. (See Tank Filling Issues)

BEFORE REPLACING ANY PARTS, VERIFY THE FOLLOWING:

Ensure correct alignment of the sprayhead fitting and that the tubing is routed properly to allow for maximum water flow.

Overflowing:

STEP1. Ensure that the sprayhead (Orange AFS ONLY) has not been removed. Replace as needed.

STEP 2. Ensure that the Hot Water Tank is not overflowing (See Tank Filling Issues)

STEP 3. Ensure Cold Brew Lock is set to 5°F.



Wilbur Curtis Co., Inc.

6913 Acco Street, Montebello CA 90640
Customer Service: 800.421.6150 | 323.837.2300
csrassistance@wilburcurtis.com
Tech Support: 800.995.0417
www.wilburcurtis.com