



WELLS MANUFACTURING  
265 Hobson Street, Smithville, Tennessee 37166  
telephone: 800-264-7827  
[www.wells-mfg.com](http://www.wells-mfg.com)

121



Model WG2424G

## OWNERS MANUAL

## COUNTERTOP GAS GRIDDLES

**MODELS**  
**WG2424G**  
**WG2436G**  
**WG3036G**  
**WG3048G**

**Includes**  
**INSTALLATION, USE & CARE**  
**EXPLODED VIEW & PARTS LIST**  
**WIRING DIAGRAM**

### FOR YOUR SAFETY

**Do not store gasoline or other flammable liquids in the vicinity of this or any other appliance.**

### WARNING:

**Improper installation, adjustment, alteration, service or maintenance can cause property damage, injury or death. Read the installation, operating and maintenance instructions thoroughly before installing or servicing this equipment.**

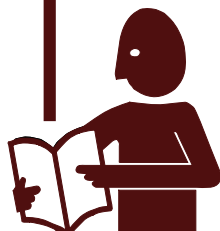
### IMPORTANT:

The purchaser of this equipment must post in a prominent location instructions to be followed in the event the user smells gas. This information shall be obtained by consulting the local gas supplier.

### IMPORTANT: DO NOT DISCARD THIS MANUAL

This manual is considered to be part of the appliance and is to be given to the OWNER or MANAGER of the restaurant, or to the person responsible for TRAINING OPERATORS of this appliance. Additional manuals are available from your WELLS DEALER.

**THIS MANUAL MUST BE READ AND UNDERSTOOD BY ALL PERSONS USING OR INSTALLING THIS APPLIANCE.** Contact your WELLS DEALER if you have any questions concerning installation, operation or maintenance of this equipment.



## LIMITED WARRANTY STATEMENT

### LIMITED EQUIPMENT WARRANTY

Wells Manufacturing warrants to the original purchaser of new Wells products to be free from defects in material or workmanship, under normal and proper use and maintenance service as specified by Wells and upon proper installation and start-up in accordance with the instructions supplied with each Wells unit. Wells' obligation under this warranty is limited to a period of one [1] year beginning from the date of original installation. The warranty period begins upon the earlier of the date of original installation or up to six [6] months after the original shipment, from the factory, of the covered product. Defects that occur as a result of normal use, within the time period and limitations defined in this warranty, will at Wells' discretion have the parts replaced or repaired by Wells or a Wells-authorized service agency.

### THIS WARRANTY IS SUBJECT TO ALL LISTED CONDITIONS

Repairs performed under this warranty are to be performed by a Wells authorized service agency. Wells will not be responsible for charges incurred or service performed by non-authorized repair agencies. In all cases, the nearest Wells-authorized service agency must be used. Wells will be responsible for normal labor charges incurred in the repair or replacement of a warrantied product within 50 miles (80.5 km) of an authorized service agency. Time and expense charges for anything beyond that distance will be the responsibility of the owner. All labor will need to be performed during regular service hours. Any overtime premium will be charged to the owner. For all shipments outside the U.S.A. and Canada, please see the International Warranty for specific details. It is the responsibility of the owner to inspect and report any shipping damage claims, hidden or otherwise, promptly following delivery. No mileage or travel charges will be honored on any equipment that is deemed portable. In general, equipment with a cord and plug weighing less than 50 lb. (22.7 kg) is considered portable and should be taken or shipped to the closest authorized service agency, transportation prepaid.

### CONTACT

Should you require any assistance regarding the operation or maintenance of any Wells Manufacturing; phone or email our service department. In all correspondence provide the model number and serial number of the unit needing service; include the voltage or gas type.

Normal Business Hours: 8:00 a.m. to 4:30 p.m. Central  
 Telephone: 800-264-7827 Tech Service Option 2  
 Email: [TechService@partstown.com](mailto:TechService@partstown.com)  
[www.Wells-Mfg.com](http://www.Wells-Mfg.com)

PRODUCTS	PARTS	LABOR
Universal Ventless Hoods (WVU)	1 year	1 year
Canopy Ventless Hoods (WVC)	1 year	1 year
*Universal ventless hoods and/or canopy ventless hoods purchased with approved Star Holdings electric equipment.		
**Star Holdings approved electric equipment purchased and installed a under ventless hood.	2 years	2 years
*** Universal ventless hood and Star Holdings electric equipment must be on the same po and listed on the ventless start-up document for the 2-year warranty to apply.		
"Cook'n Hold equipment (HW-106D)	2 years	2 years
Cast iron gates, burners and burner shields	1 year	
Original Wells parts sold to repair Wells equipment	90 days	

### WARRANTY EXCLUSIONS

#### THE FOLLOWING WILL NOT BE COVERED UNDER WARRANTY.

Wells' sole obligation under this warranty is limited to either repair or replacement parts, subject to the additional limitations detailed below. This warranty neither assumes nor authorizes any person to assume obligations other than those expressly covered by this warranty.

- Any product which has not been used, maintained, or installed in accordance with the directions published in the appropriate installation sheet and/or owner's manual, including incorrect gas or electrical connection. Wells is not liable for any unit which has been mishandled, abused, misapplied, subjected to harsh chemicals, modified by unauthorized personnel, damaged by flood, fire, or other acts of nature [or God], or which have an altered or missing serial number.
- Installation, labor, and job checkouts, calibration of heat controls, air and gas burner/bypass/pilot adjustments, gas or electrical system checks, voltage and phase conversions, cleaning of equipment, or seasoning of griddle surface.
- Replacement of fuses or resetting of circuit breakers, safety controls, or reset buttons.
- Replacement of broken or damaged glass components, quartz heating elements, and light bulbs.
- Labor charges for all removable and consumable parts in gas charbroilers and hotplates, including but not limited to burners, grates, and radiants.
- Any labor charges incurred by delays, waiting time, or operating restrictions that hinder a service technician's ability to perform service.
- Replacement of parts that fail or are damaged due to normal wear or labor for replacement of parts that can be replaced during a daily cleaning routine, such as but not limited to silicone belts, PTFE non-stick sheets, control labels, knobs, bulbs, fuses, quartz heating elements, baskets, racks, and grease drawers.
- Any economic loss of business or profits.
- Non-OEM parts. Use of non-OEM parts without Wells' approval will void the warranty.
- Units exceeding one [1] year from original installation date.

### ADDITIONAL WARRANTIES

- Specific/chain-specific equipment may have additional and/or extended warranties.

The foregoing warranty is in lieu of any and all other warranties expressed or implied and constitutes the entire warranty.

## TABLE OF CONTENTS

WARRANTY	xi
SPECIFICATIONS	1
FEATURES & OPERATING CONTROLS	2
PRECAUTIONS & GENERAL INFORMATION	3
INSTALLATION	4
INITIAL ADJUSTMENT	8
OPERATION	10
CLEANING INSTRUCTIONS	
Standard and Grooved Griddles	12
Chrome-Plated griddles	13
TROUBLESHOOTING SUGGESTIONS	14
WIRING DIAGRAM	15
EXPLODED VIEW & PARTS LIST	16
PARTS & SERVICE	27
CUSTOMER SERVICE DATA	27

## INTRODUCTION

Thank You for purchasing this Wells Manufacturing appliance.

Proper installation, professional operation and consistent maintenance of this appliance will ensure that it gives you the very best performance and a long, economical service life.

This manual contains the information needed to properly install this appliance, and to use and care for the appliance in a manner which will ensure its optimum performance.

## SPECIFICATIONS

MODEL	COOKING SURFACE	FUEL	MAINIFOLD PRESSURE	BTU/HR /BURNER	BTU/HR TOTAL
WG2424G	23 7/8" x 20 1/2" 2 BURNER	Natural Gas	5.0" W.C.	25,000 BTU/hr	50,000 BTU/hr
		Propane	10.0" W.C.		
WG2436G	35 7/8" x 20 1/2" 3 BURNER	Natural Gas	5.0" W.C.	25,000 BTU/hr	75,000 BTU/hr
		Propane	10.0" W.C.		
WG3036G	35 7/8" x 24" 3 BURNER	Natural Gas	5.0" W.C.	25,000 BTU/hr	75,000 BTU/hr
		Propane	10.0" W.C.		
WG3046G	47 3/4" x 24" 4 BURNER	Natural Gas	5.0" W.C.	25,000 BTU/hr	100,000 BTU/hr
		Propane	10.0" W.C.		

## FEATURES & OPERATING CONTROLS

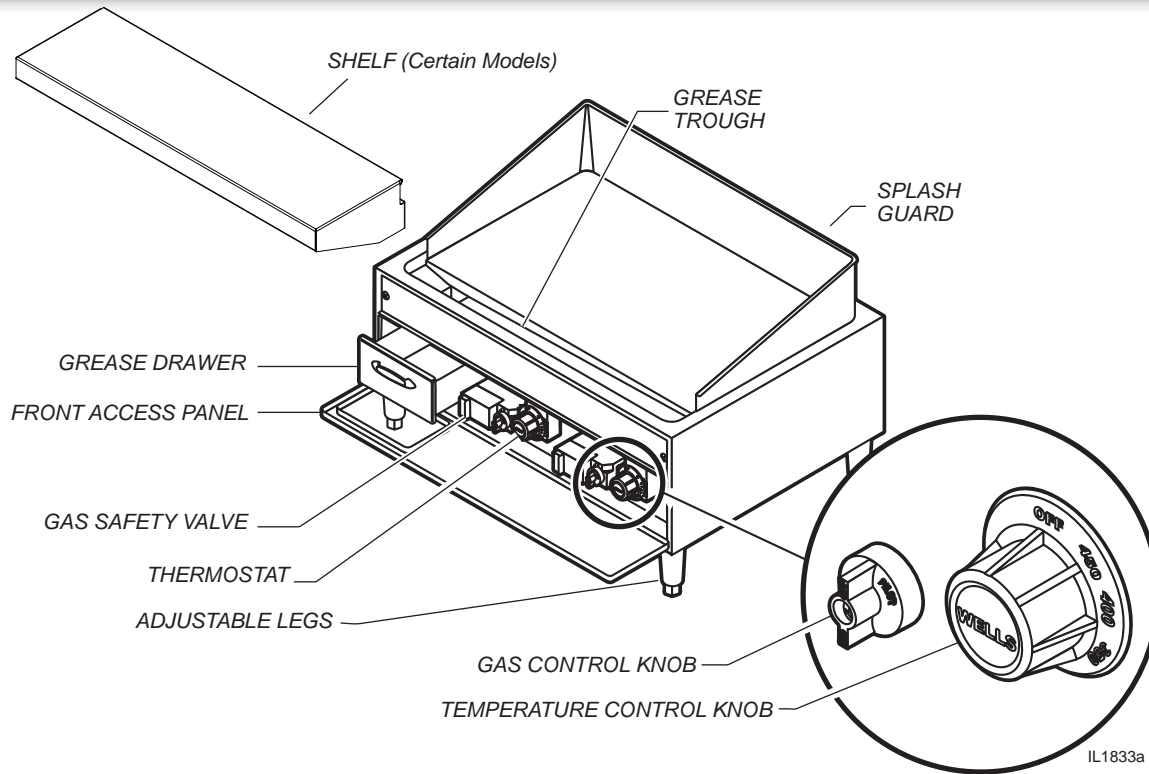


Fig. 1 Countertop Gas Griddle - Features & Operating Controls

FRONT ACCESS PANEL	Allows access to gas control valve and themerature control thermostat.
THERMOSTAT TEMP. CONTROL KNOB	Energizes gas valve and allows burners to light based on temp. control knob setting and temperature sensed at griddle surface
	Each section of the griddle is individually controllable.
	Dial position is an indication of the temperature setting. The actual temperature at the griddle surface will vary, depending upon the initial type and temperature of the product, and other variables.
GAS SAFETY VALVE GAS CONTROL VALVE	Provides ignition pilot flame. Allows fuel to burners only when pilot flame is established.
GREASE TROUGH	Extra-wide trough with radiused corners for easier cleaning. Trough slopes toward a large waste hole that empties into the removable grease drawer.
GREASE DRAWER	Large-capacity drawer is removable through the front for easy cleaning.
REMOVABLE SPLASH GUARD	Stainless steel aplash guard simplifies griddle maintenance and helps to keep grease from splattering onto adjacent walls and equipment
NAMEPLATE (located on rear of unit)	Lists manufacturer's information, model and serial number. Also lists fuel requirement specifications.

## PRECAUTIONS AND GENERAL INFORMATION

ENGLISH

This appliance is intended for use in commercial establishments only.

This appliance is intended to prepare food for human consumption. No other use is recommended or authorized by the manufacturer or its agents.

This griddle must be installed by a technician qualified and certified or licensed to install gas-fired equipment. A licensed technician must perform the initial startup and adjustment of this appliance.

Operators of this appliance must be familiar with the appliance use, limitations and associated restrictions. Operating instructions must be read and understood by all persons using or installing this appliance.

Cleanliness of this appliance is essential to good sanitation. Read and follow all included cleaning instructions and schedules to ensure the safety of the food product.

**DO NOT** submerge griddle or burners in water. **DO NOT** splash or pour water into interior of griddle. Burners which have been allowed to become wet must be thoroughly dried before use.

Griddle must be operated with the supplied legs properly installed.

The technical content of this manual, including any parts breakdown illustrations and/or adjustment procedures, is intended for use by qualified technical personnel only.

Any procedure which requires the use of tools must be performed by a qualified technician.

This manual is considered to be a permanent part of the appliance.

This manual and all supplied instructions, diagrams, schematics, parts breakdown illustrations, notices and labels must remain with the appliance if it is sold or moved to another location.

This appliance is made in the USA. Unless otherwise noted, this appliance has American sizes on all hardware.



### **WARNING: FIRE HAZARD**

In the event a gas odor is detected, shut down the unit at the main gas shutoff and contact your local gas supplier from a neighboring location for service.



### **CAUTION: FALL HAZARD**

**DO NOT** stand or sit on the griddle.



### **CAUTION: FALL HAZARD**

**DO NOT** use the griddle as a stool or ladder.

## INSTALLATION

**NOTE:** DO NOT discard the carton or other packing materials until you have inspected the appliance for hidden damage and tested it for proper operation. Refer to *SHIPPING DAMAGE CLAIM PROCEDURE* on the inside front cover of this manual.



### DANGER: HEALTH HAZARD

This appliance must be properly ventilated. Failure to provide proper ventilation of exhaust gasses can result in severe injury and death.



### WARNING: FIRE HAZARD

Do not store flammable or combustible materials near this appliance. The open flame of this appliance can cause such materials to ignite.

### NOTICE:

Manufacturer's warranty on this griddle is in effect only when the appliance is installed and operated in accordance with these instructions and local codes and ordinances or, in the absence of local codes, the National Fuel Gas Code, ANSI Z223.1 (current edition). The manufacturer of the griddle assumes no liability for any damage resulting from failure to comply with this notice.

### UNPACKING & INSPECTION

Carefully remove the griddle from the carton. Remove all protective plastic film, packing materials and accessories from the griddle before connecting the griddle to fuel gas or otherwise performing any installation procedure.

Carefully read all instructions in this manual and the *Installation Instruction Sheet* packed with the griddle before starting any installation.

Read and understand all labels and diagrams attached to the griddle.

Carefully account for all components and accessories before discarding packing materials. Store all accessories in a convenient place for later use.

Thoroughly clean the appliance before use. See *Cleaning Instructions*, page 12.

### SETUP

Supplied legs must be properly installed. Once installed, the legs should NOT be removed.

The griddle must be leveled with a spirit level in its final operational position, prior to beginning the gas piping installation.

Setup the griddle only on a firm level surface. Non-combustible material (e.g. metal, terrazzo) is required.

Adequate clearances for air openings into the cabinet must be provided. Maintain at least 3" clearance from adjacent surfaces.

The griddle must be installed in an area with sufficient make-up air for proper combustion, and must be installed such that the flow of combustion and ventilation air will not be obstructed.

When used with an exhaust fan, special precautions must be observed to avoid interference with the operation of the griddle, such as drafts and air starvation.

The current edition of NFPA 96 (*Standard for the Installation of Equipment for the Removal of Smoke and Grease Laden Vapors from Commercial Cooking Equipment*) specifies ventilation requirements to ensure the removal of exhaust gasses and products of combustion. **IT IS THE RESPONSIBILITY OF THE INSTALLER TO ENSURE THAT THIS GAS GRIDDLE INSTALLATION CONFORMS TO ALL APPLICABLE CODES AND ORDINANCES.**

DO NOT store flammable or combustible materials on, in or near the griddle.

The area where the griddle is installed must be kept clear of combustibles and flammables. This includes mops, rags, grease, wrapping paper and electric cords.

**GAS APPLIANCE CODE COMPLIANCE**

The installation of gas piping from the outlet side of the gas meter or service regulator to the griddle must be performed by a technician qualified and certified or licensed to install gas-fired equipment.

A licensed and qualified technician must perform the initial startup and adjustment of this appliance.

The installation of this gas-fired appliance must conform to local codes, or in the absence of such codes, with the current edition of

National Fuel Gas Code ANSI Z223.1.

For use in the State of Massachusetts, this appliance must be installed in compliance with **Massachusetts Fuel Gas and Plumbing Code CMR 248**.

The installation of this gas-fired appliance must comply with applicable portions of NFPA 96 for ventilation.

The venting of this appliance must not be obstructed, nor may such venting interfere with the flow of combustion air required for proper operation of the gas burners.

Additionally:

1. The gas supply line used to connect the griddle to the gas supply system must be black iron pipe, or other material as approved by local ordinance for gas piping.
2. Gas supply piping must at least 3/4" NPT.
3. Use pipe sealant made specifically for gas piping on all pipe joints. Apply sealant sparingly to the male threads only. Sealant must be resistant to the action of LP gas. Teflon pipe thread tape is NOT recommended for gas installations.
4. Verify that all supply piping is clean and free of obstructions, dirt, chips and pipe sealant compound prior to installation.
5. All pipe joints must be checked for leaks before lighting. Leak checks should be performed with a soap and water solution. NEVER CHECK FOR LEAKS WITH AN OPEN FLAME.



**DANGER:  
FIRE AND  
EXPLOSION  
HAZARD**

NEVER use an open flame to check for gas leaks. Fire and explosion may result.

**IMPORTANT:**

All pipe joints must be checked for leaks before lighting. Leak checks should be performed with a soap and water solution.

**IMPORTANT:**

Information on the construction and installation of ventilating hoods may be obtained from the current edition of NFPA 96

*Standard for the Installation of Equipment for the Removal of Smoke and Grease Laden Vapors from Commercial Cooking Equipment.*

Copies of this standard are available from the Nation Fire Protection Assn.:

NFPA  
1 Batterymarch Park  
P.O. Box 9101  
Quincy, MA 02269-9101

## INSTALLATION



### DANGER: FIRE AND EXPLOSION HAZARD

NEVER use an open flame to check for gas leaks. Fire and explosion may result.

#### IMPORTANT:

All pipe joints must be checked for leaks before lighting. Leak checks should be performed with a soap and water solution.



### WARNING: FIRE HAZARD

This griddle is supplied with a gas pressure regulator. Failure to properly install the supplied regulator will result in an extremely hazardous condition.

Flow arrow stamped on body of regulator must point toward the griddle.

Regulator adjusting screw and vent hole must point UP.

#### IMPORTANT:

Verify fuel gas type. If the available fuel does not match the nameplate specification, exchange the griddle for the correct type. **DO NOT** attempt to modify a unit in the field to accept a different fuel.

#### IMPORTANT:

Avoid damage to the regulator: if the gas supply piping system is pressure tested at pressures exceeding 1/2 psig (3.45kPa), the griddle must be isolated or disconnected from the gas piping system for the duration of the test.

### INSTALLING THE GRIDDLE

Refer to the nameplate. Verify the fuel type and pressure, which must match the nameplate specifications. Connecting the griddle to the wrong fuel type and/or pressure will compromise the safety and/or performance of the appliance.

The griddle must be placed in its final operational position and leveled front-to-back and side-to-side, with a spirit level, prior to beginning the gas piping installation. Re-check the level of the unit at the conclusion of the gas piping installation.

Each gas griddle is supplied with a separate gas pressure regulator. The supplied regulator must be used, and must be installed on the manifold pipe protruding from the rear of the griddle. Ensure that the regulator is installed such that the flow arrow stamped on the body of the regulator points toward the griddle. Failure to properly install the supplied regulator will result in an extremely hazardous condition.

A moisture trap (drip leg) consisting of a tee, 4" nipple pointing down, and cap must be installed upstream of the gas pressure regulator.

A manual gas shut-off valve may be required by local codes and is, in any case, strongly recommended. The shut-off valve must be installed between the gas supply piping and the gas pressure regulator.

It is the responsibility of the gas piping installer to identify the code requirement for a shut-off valve.

Shut-off valves, moisture trap and all associated piping must be supplied by the gas piping installer.

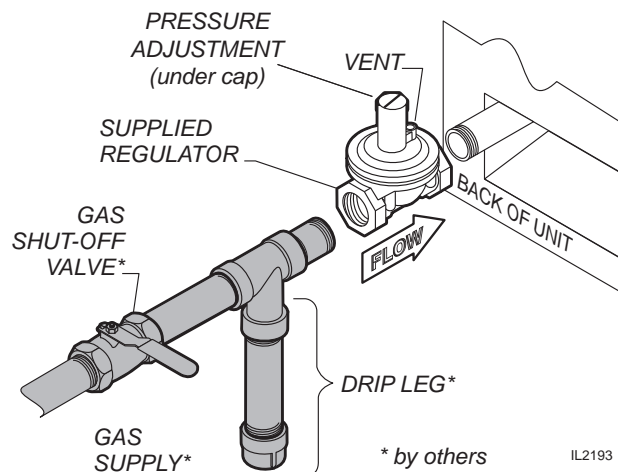


Fig. 2 Gas Supply Piping

**GAS PIPE PRESSURE TESTING**

The main piping system must be capable of supplying the griddle with sufficient volume/flow of fuel to satisfy the maximum operational input requirements.

Make sure the supply piping system has been pressure tested before the regulator and griddle are connected. If the system must be re-tested, be sure the regulator is isolated by a manual shut-off valve, in order to prevent damage to the regulator and gas griddle valves.

Piping and connections should be leak tested using a water/soap solution. **DO NOT USE FLAME TO CHECK FOR GAS LEAKS.**

Equipment gas pressure (the pressure downstream of the pressure regulator) may be tested by adapting a water column gauge to the plugged ports on the main gas manifold. The pressure regulator supplied with the Gas Griddle is factory set for a nominal gas pressure of 5" w.c.

Be sure to remove any adapters, and to re-plug and leak check the port before returning the griddle to service. Leak testing should be performed using a water/soap solution. **DO NOT USE FLAME TO CHECK FOR GAS LEAKS.**

**GAS SUPPLY FLOW VOLUME TESTING REQUIREMENTS**

While testing for adequate gas pressure, be sure all other gas appliances that utilize the same source piping are in operation with burners ON in order to ensure accurate operational conditions. If flow volume in the system piping is marginal, and should other appliances on that system not be consuming gas while testing for pressure, the test results may be inaccurate.

**IMPORTANT:**

**PRESSURE TESTING MUST BE PERFORMED BY A QUALIFIED TECHNICIAN ONLY.**

**NOTE:** The maximum inlet pressure from the supply piping must not exceed ½ p.s.i (14" W.C.) Pressure above this limit will damage the regulator and gas valves.

Port for measuring outlet gas pressure is located on the manifold. Remove the grease drawer to gain access. Remove the allen head plug sealing the test port, then connect the hose of a water column gauge.

Be sure to reinstall the allen head plug at the conclusion of testing.

## INITIAL ADJUSTMENT

### IMPORTANT:

**PRESSURE ADJUSTMENT MUST BE PERFORMED BY A QUALIFIED TECHNICIAN ONLY.**

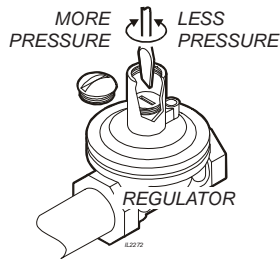


Fig. 3 Adjust gas pressure

### IMPORTANT:

**FLAME ADJUSTMENT MUST BE PERFORMED BY A QUALIFIED TECHNICIAN ONLY.**

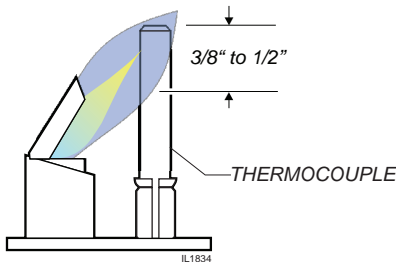


Fig. 4 Adjust pilot flame

### IMPORTANT:

**FLAME ADJUSTMENT MUST BE PERFORMED BY A QUALIFIED TECHNICIAN ONLY.**

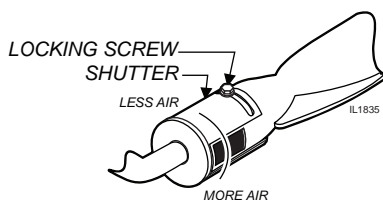


Fig. 5 Adjust burner flame

### PURGING AIR FROM GAS LINES

Air must be purged from the gas lines for the initial startup. Turn the knob on the safety valve to PILOT, press and hold until a flame can be established at the pilot burner. Repeat for each pilot.

Caution must be taken to ensure that no raw gas is present in the surrounding area when attempting to place the Griddle into operation.

### SET GAS PRESSURE:

Turn the gas shut-off valve OFF.

Remove the plug in the gas pressure measurement tap and attach a manometer. Turn the shut-off valve ON. Light the pilot light and turn both gas control valves to HI.

Remove the cap from the pressure regulator. Turn the adjusting screw clockwise to increase pressure; counter-clockwise to decrease pressure. Adjust the gas pressure regulator for:

5" water column (natural gas); or, 10" water column (propane).

When finished, replace cap on regulator, turn shut-off valve OFF, remove manometer and reinstall plug in tap. Turn shut-off valve back ON and relight the pilot light.

### PILOT FLAME ADJUSTMENT

The pilot flame may be adjusted at the safety valve by removing the pilot adjusting screw cover (notice the fiber washer) and turning the adjusting screw until the pilot flame covers  $\frac{3}{8}$ " to  $\frac{1}{2}$ " tall section of the thermocouple. This will ensure that the thermocouple will energize the pilot valve and maintain the pilot flame. Remember to replace the cover and fiber washer after adjustments are completed.

To check the calibration of the thermopile, turn the main burner control knob to OFF. Connect a millivolt meter to the TP and TP TH connections on the red terminal block on the safety valve. The thermocouple should generate 200mV (minimum) within 2 minutes of the pilot flame being lit. 250 mV will provide sufficient power to open both the pilot valve and main burner valve.

To conserve thermocouple life and reduce gas consumption, the reading should be no more than 500 mV.

### MAIN BURNER AIR/FUEL MIXTURE

Each main burner has an adjustment shutter at the inlet end of the burner. This collar is locked by a  $\frac{1}{4}$ " hex head screw. Loosen the screw and rotate the shutter to adjust the amount of combustion air mixed with the incoming gas as it enters the main burner. Adjust the fuel/air mixture to produce a steady, blue flame. Re-tighten the lock screw after the proper mixture has been set.

## PREPARING THE GRIDDLE SURFACE

### SEASONING STANDARD GRIDDLES

As manufactured, the steel surface of your Wells griddle has microscopic pores. It is important to fill these pores with oil in order to provide a hard, non-stick cooking surface.

- a. Preheat the griddle surface to 375°F (191°C).
- b. Spread a light film of cooking oil over the entire griddle surface
- c. Allow the oil film to cook in for approximately 2 minutes, or until it smokes.
- d. Wipe the griddle surface with a clean damp cloth until all oil is removed.
- e. For new griddles, repeat this procedure 2-3 times until the griddle has a slick, clean surface.

### CHROME PLATED GRIDDLES

Because the microscopic pores in the griddle surface are filled by the chrome plating, no seasoning of the griddle surface is required.

- a. Thoroughly clean the griddle surface using a soft clean cloth and a small amount of mild detergent.
- b. Rinse and dry thoroughly after cleaning.
- c. The griddle is now ready to use.

**IMPORTANT:** SCRATCHES WILL DAMAGE THE CHROME SURFACE!

DO NOT use anything on a Chrome griddle that could scratch the surface.

DO NOT clean chrome surface with griddle bricks, pumice stone or abrasive cleansers.

## OPERATION



### **WARNING: FIRE HAZARD**

#### **IF YOU SMELL GAS:**

- ❑ DO NOT try to light any appliance.
- ❑ DO NOT touch any electrical switch
- ❑ DO NOT use any telephone in your building.

In the event a gas odor is detected, shut down the unit at the main gas shutoff valve and contact your local gas supplier from a neighboring location.

Follow the instructions received from the gas supplier immediately and exactly.



### **WARNING: FIRE HAZARD**

NEVER attempt to force or repair a stuck control valve.

Contact your Authorized Wells Service Agency for repairs. Forced or improperly repaired valves pose the risk of fire and/or explosion

#### **NOTE:**

*LIGHTING INSTRUCTIONS* are posted on inside of front panel.

#### **GENERAL OPERATIONAL NOTES**

Carefully read the description of the griddle operation on the specification sheet.

**DO NOT** use this appliance if it has been submerged in water. Call a qualified technician to examine the appliance and to service or replace any component which has been submerged. Burners which have been allowed to become wet must be thoroughly dried before use.

For initial startup, and any time the gas supply has been shut-off, it may take several minutes to light the pilot as air in the piping and manifolds is purged.

The gas control knobs must be turned by hand only. Never use tools to turn the control knob. If the knob will not turn by hand, do NOT attempt to force or repair it. Contact your Authorized Wells

Service Agency for repairs. Forced or improperly repaired valves pose the risk of fire and/or explosion.

Make sure grease drawer is properly installed before attempting to operate.

#### **LIGHTING THE PILOT LIGHT**

Before lighting the pilot light, smell all around the appliance area for gas. Be sure to smell near floor level because some gas is heavier than air and will settle to the floor.

For initial startup, and any time the gas supply has been shut-off, it may take several minutes to light the pilot as air in the piping and manifolds is purged.

Each burner assembly has a pilot assembly which must be lit before the associated main burner can be operated. This operation requires a LONG match or fireplace lighter. Set all temperature control knobs and gas safety valve control knobs to the OFF position.

To light the pilot flame, turn the knob on the SAFETY VALVE (adjacent to each thermostat) to the PILOT position. Depress and hold the safety valve knob and light the pilot. The pilot is located behind the front baffle, and is visible through the small opening in the baffle.

After the pilot flame has been established, the match or lighter can be withdrawn. Continue to press in on the knob for approximately 30 seconds, then slowly release the knob. When the knob is fully released, the pilot should stay lit.

When the pilot flame is established, turn the safety valve knob counter clock-wise to the ON position.

**USING THE GRIDDLE**

Check the chart below for recommended cooking temperatures. Turn temperature control knob to the desired temperature.

**For standard griddles:**

- Keep the griddle surface clean and well oiled during use.
- Scrape cooking waste into the grease trough frequently during use.
- Occasionally brush or spray a light coat of cooking oil on the griddle surface in order to maintain the non-stick surface.

**For chrome plated griddles:**

- Scrape cooking waste into the grease trough after preparing each order.
- DO NOT bang or tap pots, pans, spatulas or other metal utensils on the griddle surface as this may damage the chrome plating.

**RECOMMENDED COOKING TIMES AND TEMPERATURES**

PRODUCT	TEMP °F	TIME
Sausage, link and patty	350°F	3 minutes
Bacon	350°F	2 - 3 minutes
Canadian Bacon	350°F	2 - 3 minutes
Ham Steaks	375°F	3 - 4 minutes
Broiled Ham	375°F	2 minutes
Beef Tenderloin	400°F	3 - 4 minutes
Minute Steaks	400°F	3 - 4 minutes
Club Steak, 1" thick	400°F	3 - 5 minutes
Hamburgers	350°F	3 - 4 minutes
Cheeseburgers	350°F	3 - 4 minutes
Melted Cheese Sandwich	375°F	3 - 4 minutes
Hot Dogs	325°F	2 - 3 minutes



**WARNING:  
FIRE AND  
EXPLOSION  
HAZARD**

If the pilot light should be extinguished, turn off the gas shut-off valve. Allow the appliance to vent for five minutes before attempting to re-light.



**CAUTION:  
HOT SURFACE**

Exposed surfaces can be hot to the touch and may cause burns.

**NOTE:**

Separate sections of griddle may be set to different temperatures. This will allow a variety of products to be prepared at the same time, and will allow prepared product to be held at serving temperature after cooking.

For best results, different temperatures should be set from coolest to hottest sequentially across the width of the griddle. (Heat will migrate over the entire griddle surface. Setting one section low, adjacent to a section set high, may overwork components in the "high" section as the thermostat tries to compensate for heat lost to the "low" section.)

**NOTE:**

The times and temperatures in this chart are suggestions only.

Your own experience with your own menu items will be your best guide to achieving the best food product.

## CLEANING INSTRUCTIONS - STANDARD AND GROOVED GRIDDLES



### CAUTION: BURN HAZARD

Griddle will be hot during portions of this cleaning procedure. Always heat-protective gloves and apron.

**IMPORTANT:** DO NOT spill or pour water into controls, control panel or wiring.

DO NOT allow main or pilot burners to get wet.

**DO NOT** submerge griddle in water. Damage to internal components will occur. Damage to internal components from water damage is **not** covered by warranty.

**IMPORTANT:** NEVER USE STEEL WOOL TO CLEAN THE GRIDDLE SURFACE!

DO NOT use detergent or oven cleaner to clean the griddle surface.

**IMPORTANT:** DO NOT use steel wool or abrasive cleansers for cleaning the griddle cabinet.

### PREPARATION

Set temperature control to 220°F. Allow griddle temperature to drop to 220°F before proceeding.

### FREQUENCY

Daily

### TOOLS

Griddle Brick or Pumice Stone, Fiber Brush  
Plastic Scouring Pad, Plastic Scraper  
Contoured Scraper (grooved griddle) Mild  
Detergent, Non-Abrasive Cleanser Clean  
Soft Cloth / Sponge

### CLEANING

Pour a small amount of water on the griddle surface and let it “sizzle”.

Clean the griddle surface:

- a. For standard griddles, use a pumice stone or griddle brick to scrape food waste. Clean the griddle surface down to bright metal. Wipe off any remaining powder residue.
- b. For grooved-surface griddles, use the supplied contoured scraper to scrape food waste. Clean the griddle surface down to bright metal.

Use a soft-bristled fiber brush in a circular motion to remove any remaining food particles.

Turn temperature control to OFF. Allow the griddle surface to cool, then wipe the surface with a clean cloth. Dry the griddle surface thoroughly.

**IMPORTANT:** SEASON THE COOKING SURFACE AFTER EACH CLEANING. Refer to page 6.

At least once each day, the grease trough must be thoroughly cleaned. Using a scraper, remove all grease and food waste from the grease trough by pushing it down the waste hole and into the grease drawer.

After scraping all cooking waste from grease trough into the grease drawer, take the grease drawer to kitchen cleaning area and properly dispose of all waste.

- a. Clean drawer with hot water and a mild detergent.
- b. Dry drawer thoroughly and reinstall in griddle.

Clean the splash guard in the sink with warm water and mild detergent, or in the dishwasher. Rinse thoroughly and reinstall.

Wipe down exterior of griddle cabinet with a clean cloth and non-abrasive cleanser. Rinse thoroughly with water and a clean cloth. Dry with a soft clean cloth

Procedure is complete.

## CLEANING INSTRUCTIONS - CHROME PLATED GRIDDLES

<b>PREPARATION</b>	Set temperature control to 220°F. Allow griddle temperature to drop to 220°F before proceeding.
<b>FREQUENCY</b>	Daily
<b>TOOLS</b>	4" Razor-Style Scraper, Soft Bristle Brush Mild Detergent, Non-Abrasive Cleanser Clean Soft Cloth / Sponge



### CAUTION: BURN HAZARD

Griddle will be hot during portions of this cleaning procedure. Always heat-protective gloves and apron.

### CLEANING

Pour a small amount of water on the griddle surface and let it "sizzle". Use a 4" razor-style scraper to clean the remaining food particles from the griddle surface

**IMPORTANT:** NEVER USE GRIDDLE BRICKS, PUMICE STONES OR STEEL WOOL TO CLEAN THE GRIDDLE SURFACE!

DO NOT use detergent or oven cleaner to clean griddle surface.

**IMPORTANT:** NEVER BANG OR TAP METAL IMPLEMENTS, SPATULAS, POTS, PANS, OR SCRAPERS ON THE GRIDDLE SURFACE!

Use a soft-bristled fiber brush in a circular motion to remove any remaining food particles.

Turn temperature control to OFF. Allow the griddle surface to cool, then wipe the surface with a clean cloth. Dry the griddle surface thoroughly.

At least once each day, the grease trough must be thoroughly cleaned. Using a scraper, remove all grease and food waste from the grease trough by pushing it down the waste hole and into the grease drawer.

After scraping all cooking waste from grease trough into the grease drawer, take the grease drawer to kitchen cleaning area and properly dispose of all waste.

- Clean drawer with hot water and a mild detergent.
- Dry drawer thoroughly and reinstall in griddle.

Clean the splash guard in the sink with warm water and mild detergent, or in the dishwasher. Rinse thoroughly and reinstall.

Wipe down exterior of griddle cabinet with a clean cloth and non-abrasive cleanser. Rinse thoroughly with water and a clean cloth. Dry with a soft clean cloth

Procedure is complete.

**IMPORTANT:** DO NOT spill or pour water into controls, control panel or wiring.

DO NOT allow main or pilot burners to get wet.

**IMPORTANT:** DO NOT spill or pour water into controls, control panel or wiring.

**DO NOT** submerge griddle in water. Damage to internal components will occur. Damage to internal components from water damage is **not** covered by warranty.

**IMPORTANT:** DO NOT use griddle bricks, steel wool or abrasive cleansers to clean chrome-plated cooking surface.

**IMPORTANT:** DO NOT use steel wool or abrasive cleansers for cleaning the griddle cabinet .

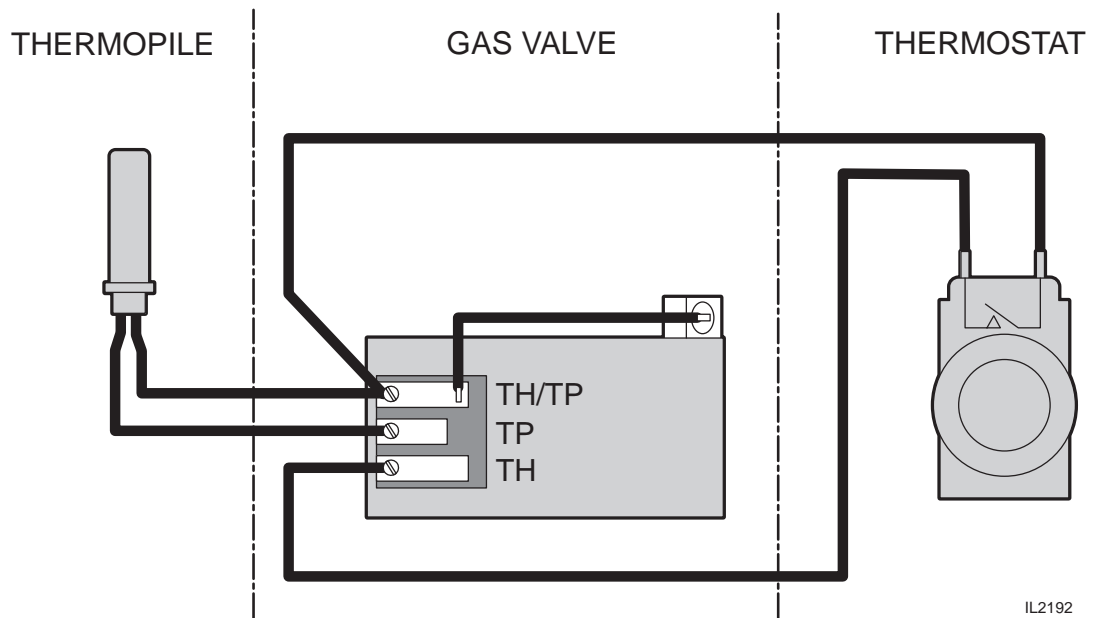
**IMPORTANT:**  
Never bang or tap metal implements, spatulas, pots, pans or scrapers on the griddle surface.

## TROUBLESHOOTING

DESCRIPTION	POSSIBLE PROBLEM	SUGGESTED REMEDY
Pilot will not light	Gas supply off	Check main / unit gas valves
	Air in lines	Turn gas valve on. Attempt to light pilot every 15 sec.
	Pilot valve not on or not depressed	Refer to page 10 for pilot lighting instructions
Burners won't light	Pilot light not lit	Turn off gas — allow unit to vent for 5 minutes. Turn gas back on and light pilot
	Control not on	Turn temperature control to desired temperature
Individual burner won't light	Water in burner	Remove burner and dry thoroughly
	Damaged temperature control, burner or other internal component	Contact Authorized Wells Service Agency for repairs
Burner not hot enough	Temperature control not set	Adjust for desired temperature
	Shutter or nozzle out of adjustment	Contact qualified technician for adjustment
	Damaged temperature control, element or other internal component	Contact Authorized Wells Service Agency for repairs
Griddle drips grease	Grease drawer full or not installed	Empty grease drawer. Install properly
	Damaged internal component	Contact Authorized Wells Service Agency for repairs

NOTE: There are no user serviceable components in the griddle. In all cases of damage or malfunction, contact your Authorized Wells Service Agency for repairs.

## WIRING DIAGRAM



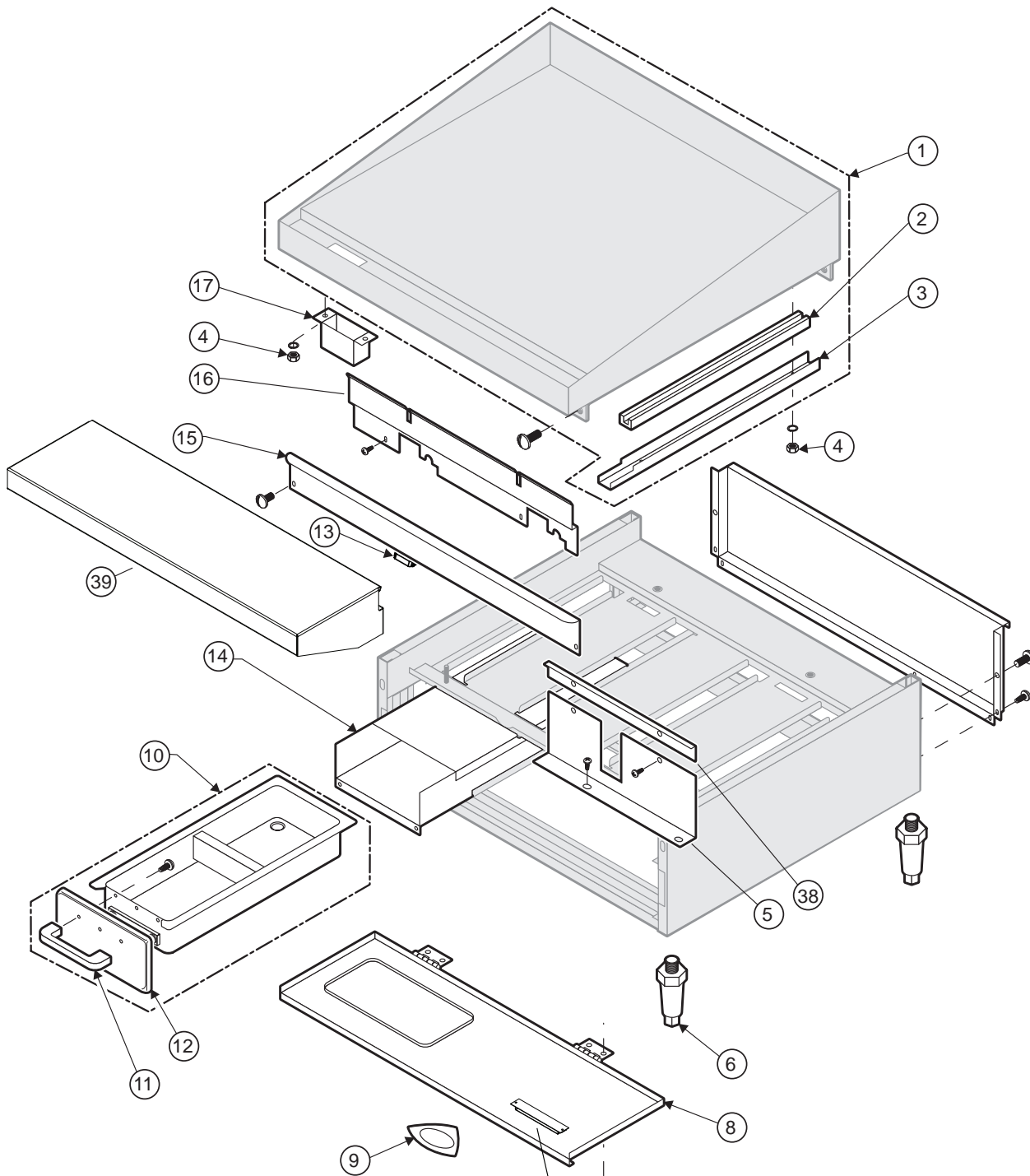
IL2192

**NOTE:**

Shown is the wiring diagram for a single burner section. Each burner section is wired identically.

# EXPLODED VIEW & PARTS LIST

## WG2424G CABINET COMPONENTS



Model: WG2424G  
 Countertop Gas Griddle: Cabinet Components

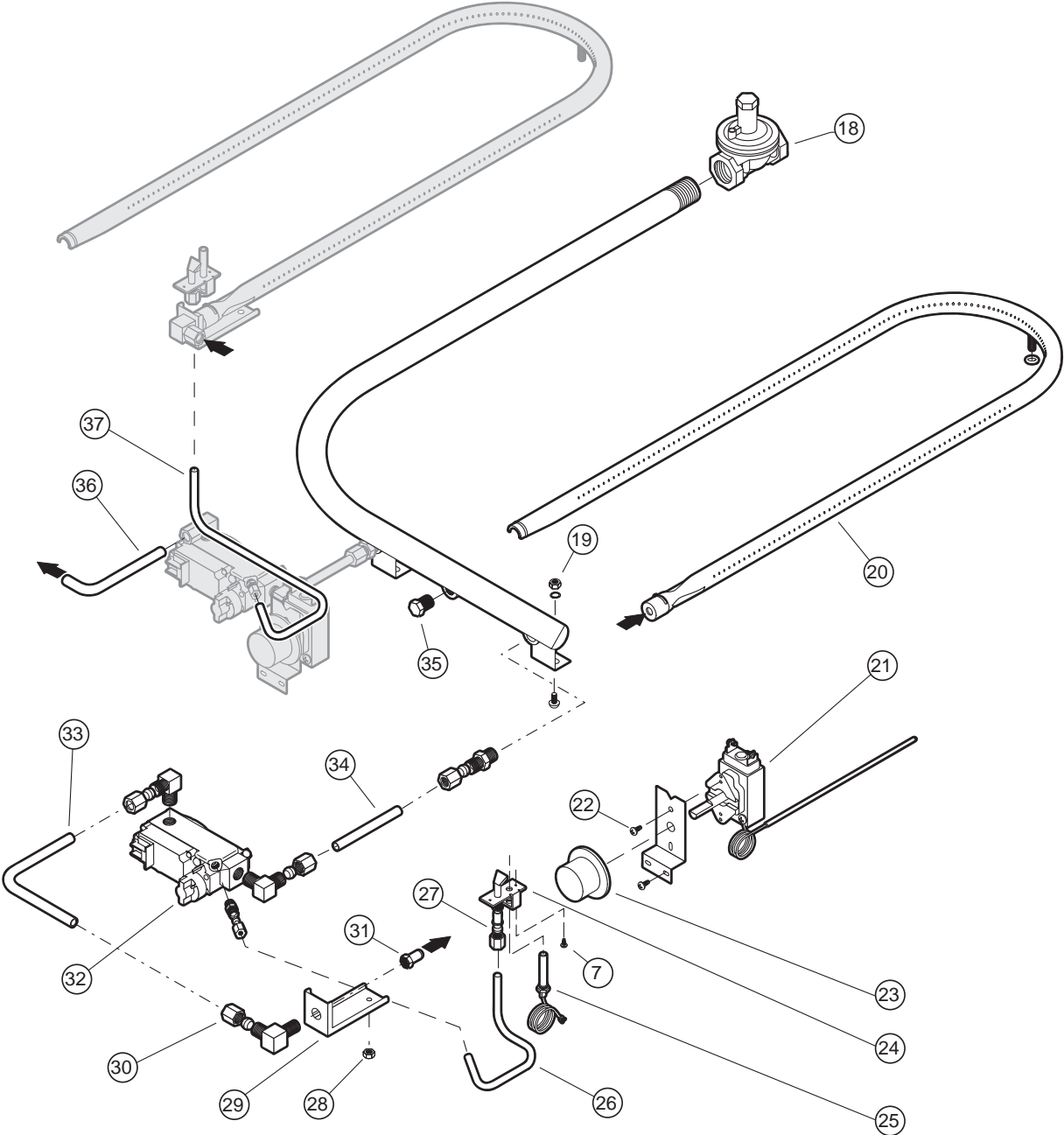
*Nameplate location  
 after 4/2014*

PL121

IL1836 REV G (01-23)

M121 p/n 2M-45324 Owners Manual Countertop Gas Griddles

WG2424G FUEL SYSTEM COMPONENTS



Model: WG2424G  
Countertop Gas Griddle: Fuel System Components

PL121

IL1837 Rev. D 4/13/12

M121 p/n 2M-45324 Owners Manual Countertop Gas Griddles

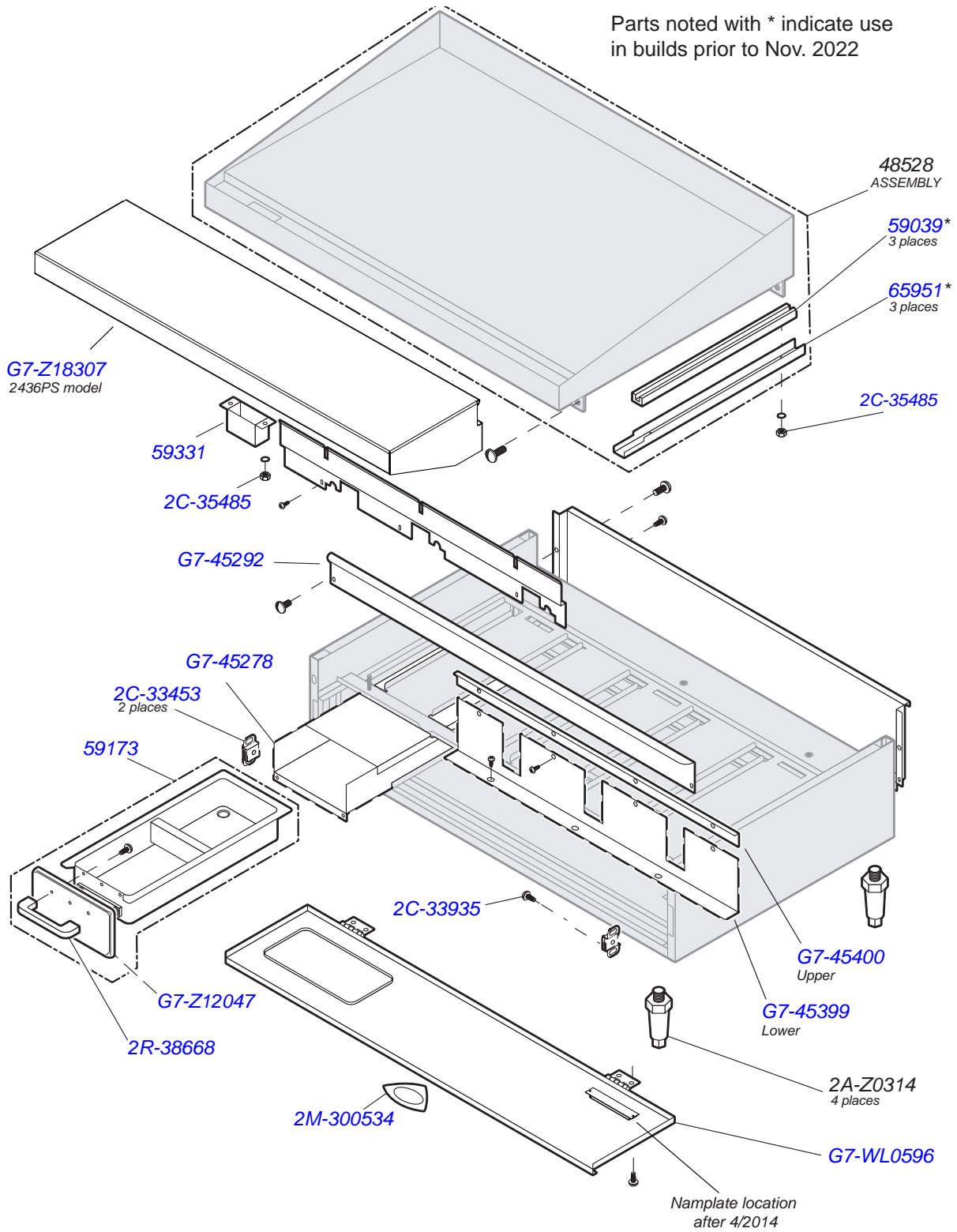
## PARTS LIST: WG2424

Model: WG2424 Gas Griddle				
Fig No.	Part Number	Quantity	Description	Application
1	48527A	1	TOP ASSY WG2424	
2*	<a href="#">2H-39039</a>	2	INSUL GAS THERMO BULB GAS	Models built before Nov. 2022
3*	<a href="#">G7-45951</a>	2	HOLDER THERMO BULB 24IN G	Models built before Nov. 2022
4	<a href="#">2C-35485</a>	2	NUT 1/4-20 HEX FINISHED S	
5	<a href="#">G7-45397</a>	1	DEFLECT HEAT LOW WG2424G	
6	2A-Z0314	4	FOOT, 4" DIE CAST	
7	<a href="#">2C-33922</a>	30	SCREW 6-32X1/4 PH PAN TAP	
8	<a href="#">G7-WL0596</a>	1	PANEL CONTROL WG2424	
9	<a href="#">2M-306719</a>	1	LOGO WELLS DIECAST SHIELD	
10	<a href="#">G7-302508</a>	1	DRAWER GREASE	WG2424GL
	<a href="#">WS-59173</a>		DRAWER ASSY GREASE	
11	<a href="#">2R-38668</a>	1	HANDLE DOOR	
12	<a href="#">G7-Z12047</a>	1	PANEL FRONT - GREASE DRW	
13	<a href="#">2C-33453</a>	1	CATCH DOOR MAGNETIC	
14	<a href="#">G7-302521</a>	1	INSERT GREASE DRAWER ASSY	
15	G7-WL1070	1	PANEL FRONT WG2424	
16	<a href="#">G7-45274</a>	1	DEFLECTOR HEAT FR WG2424	
17	<a href="#">G7-39331</a>	1	CHUTE ASSY GREASE GAS GRI	
18	<a href="#">2J-39284</a>	1	REGULATOR ADJ GAS LP	
	<a href="#">2J-39007</a>		REGULATOR ADJ GAS NAT	
	<a href="#">2J-306629</a>		RGLTR-GAS CONVRT 5/10 WC	LP or NAT
19	<a href="#">2C-40680</a>	2	NUT 10-32 HEX KEPS MS SS	
20	<a href="#">2F-45303</a>	2	BURNER WG2424 2436	
21	<a href="#">2T-48817</a>	2	THERMO RX WG GRIDDLES	
22	<a href="#">2C-31718</a>	2	SCREW 6-32X3/16 PH RD HD	
23	<a href="#">2R-45321</a>	2	KNOB CONTROL WG2424-3048	
24	<a href="#">2J-45308</a>	2	PILOT WG GRIDL	
25	<a href="#">2T-42195</a>	3	THERMOPILE FGS-40	
26	Pre 11/15/2019: 2A-45317 Post 11/15/2019: 2A-Z22807	1	TUBE PILOT-2	
27	<a href="#">2A-45352</a>	2	ORIFICE PILOT PROPANE WG'	
28	<a href="#">2C-31053</a>	2	NUT 8-32 KEPS MS NICKEL	
29	<a href="#">G7-45281</a>	2	SUPPORT ORIFICE ROHS	
30	<a href="#">2K-45357</a>	2	FTG ORIFICE WG2424-3048	
31	<a href="#">2J-Y7136</a>	2	ORIFICE-HOOD #53 (LP)	
	<a href="#">2A-45408</a>		ORIFICE-HOOD #42 (NAT)	
32	Pre 11/15/2019: <a href="#">WS-65307</a> Post 11/15/2019: <a href="#">WS-WL1000</a>	2	VALVE GAS WG SERIES GRIDDLE	
33	<a href="#">2A-45315</a>	1	TUBE BURNER-2	
34	<a href="#">2A-45313</a>	2	TUBE MANIFOLD	
35	<a href="#">2P-39245</a>	1	PLUG HEX HEAD 1/8 NPT BRA	
36	<a href="#">2A-45314</a>	1	TUBE BURNER-1	
37	Pre 11/15/2019: <a href="#">2A-45318</a> Post 11/15/2019: <a href="#">2A-Z22808</a>	1	TUBE PILOT-1	
38	<a href="#">G7-45398</a>	1	DEFLECTOR HEAT UPPER	
39	<a href="#">G7-Z18306</a>	1	SHELF PANEL, 24" GRIDDLE	2424PS

# EXPLODED VIEW & PARTS LIST

## WG2436G CABINET COMPONENTS

Parts noted with \* indicate use in builds prior to Nov. 2022

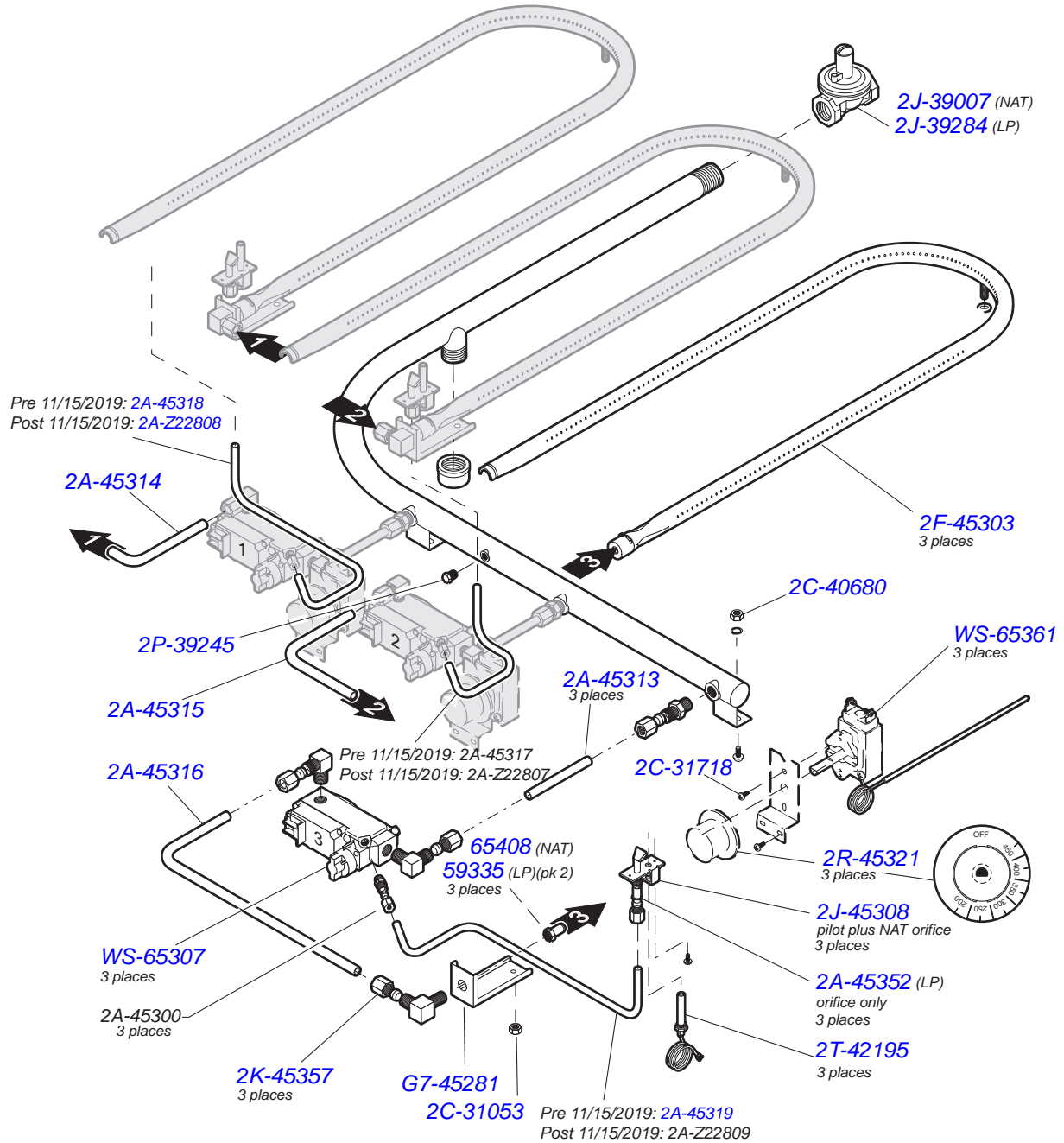


M121 p/n 2M-45324 Owners Manual Countertop Gas Griddles

IL1831 REV E (10-22)

# EXPLODED VIEW & PARTS LIST

## WG2436G FUEL SYSTEM COMPONENTS



Model: WG2436G  
Countertop Gas Griddle: Fuel System Components

PL121

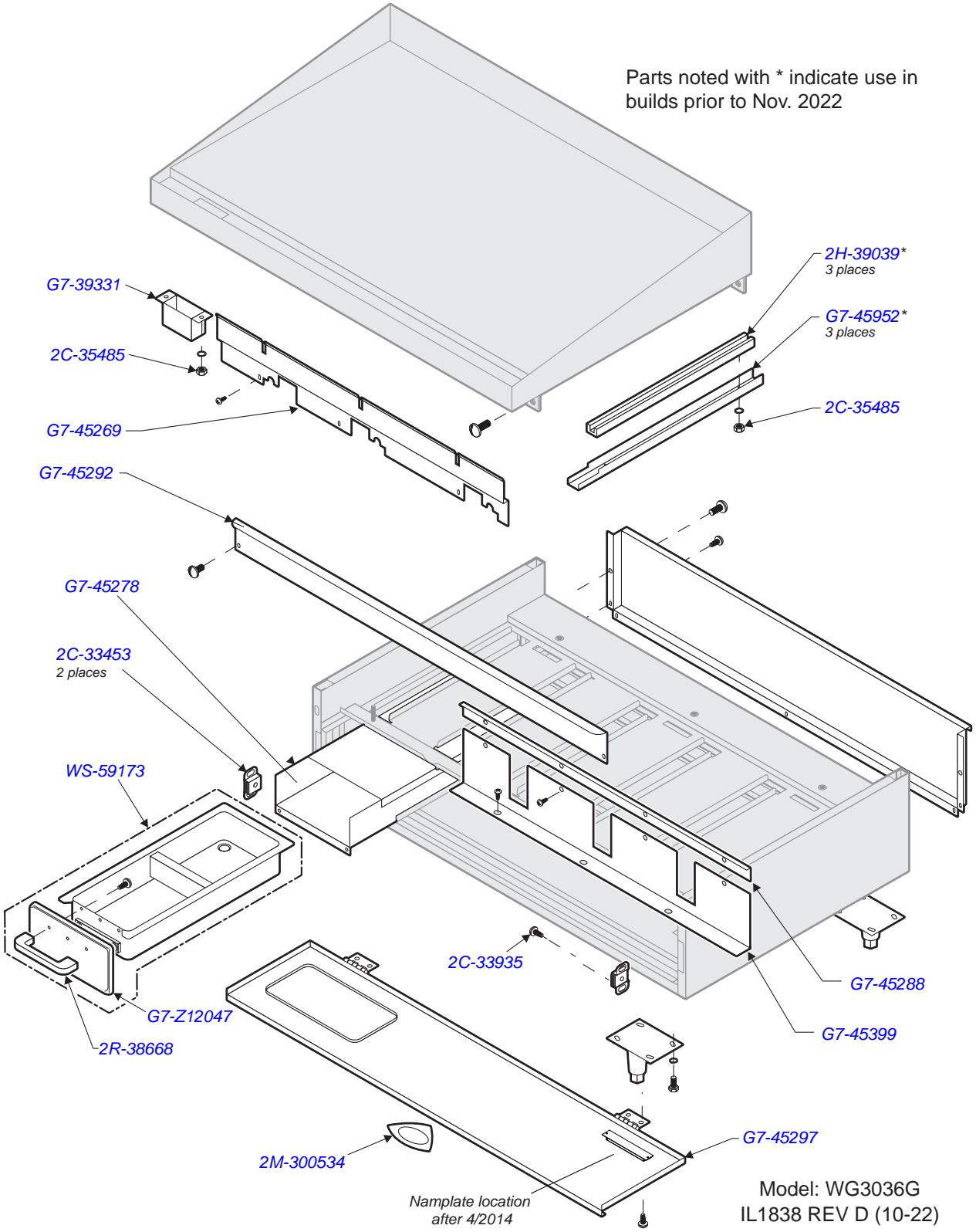
IL1832 Rev. D 9/20

M121 p/n 2M-45324 Owners Manual Countertop Gas Griddles

# EXPLODED VIEW & PARTS LIST

## WG3036G CABINET COMPONENTS

Parts noted with \* indicate use in builds prior to Nov. 2022

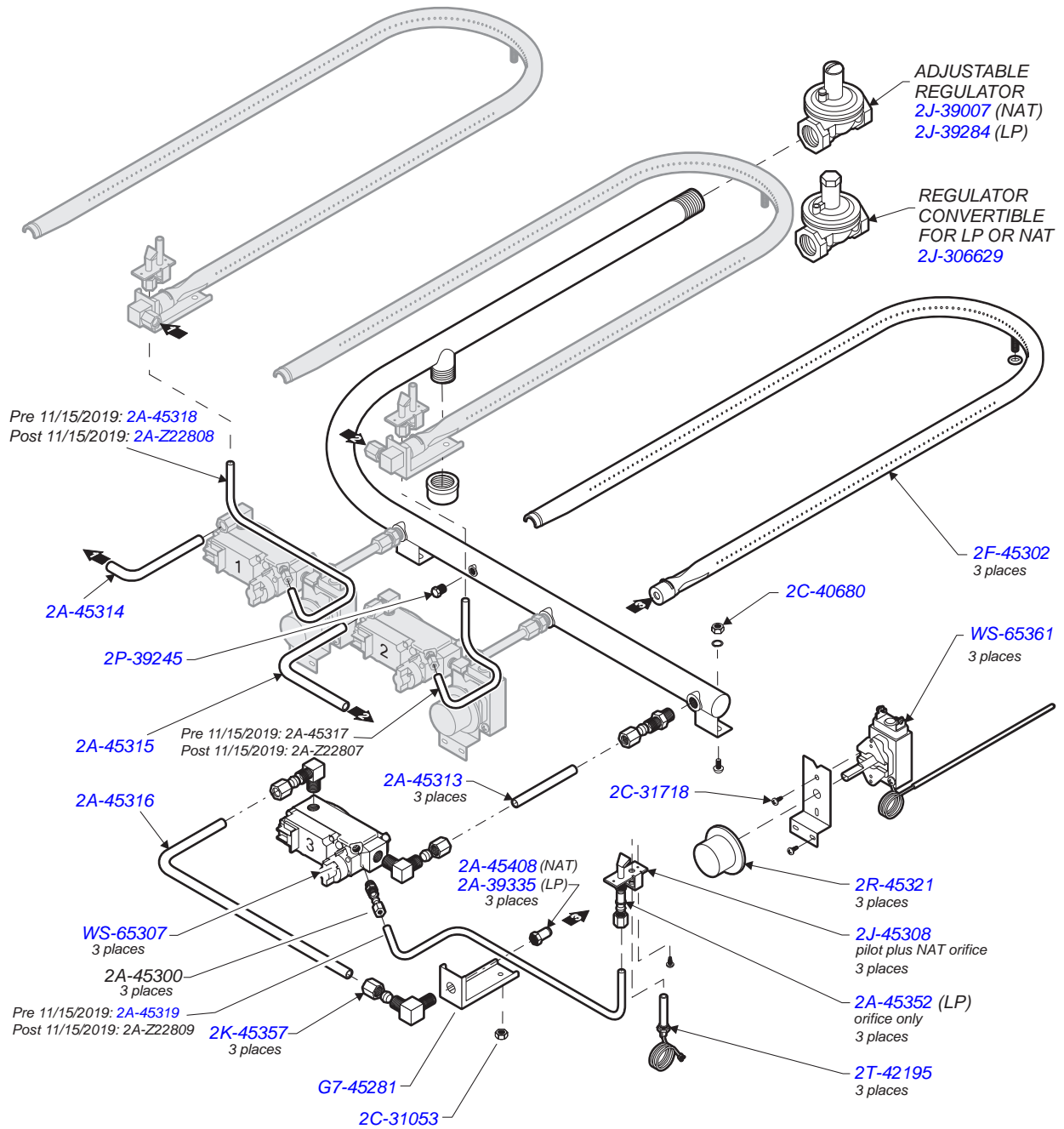


Model: WG3036G  
IL1838 REV D (10-22)

M121 p/n 2M-45324 Owners Manual Countertop Gas Griddles

# EXPLODED VIEW & PARTS LIST

## WG3036G FUEL SYSTEM COMPONENTS



Model: WG3036G  
Countertop Gas Griddle: Fuel System Components

PL121

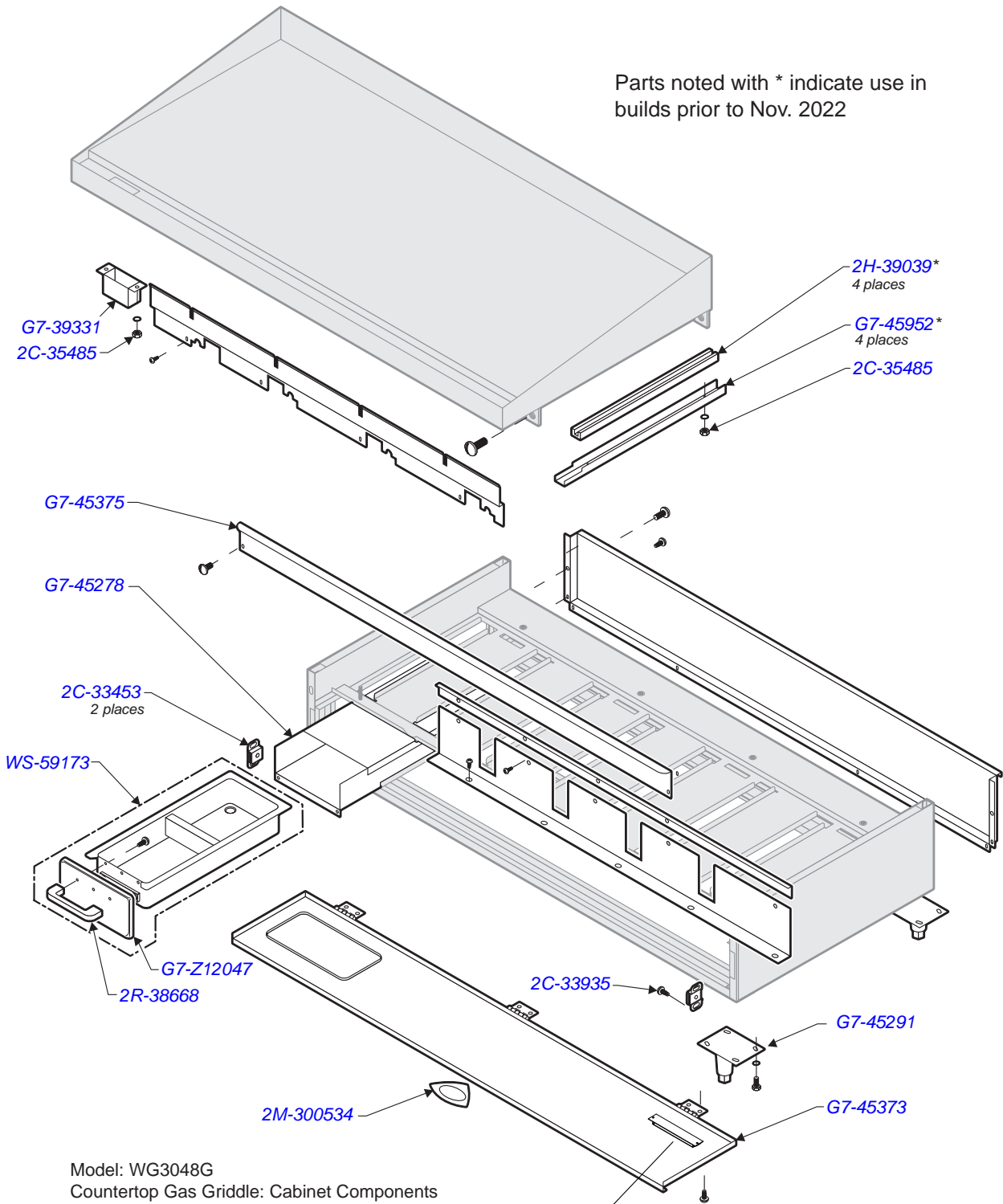
IL1839 Rev. D 9/20

M121 p/n 2M-45324 Owners Manual Countertop Gas Griddles

# EXPLODED VIEW & PARTS LIST

## WG3048G CABINET COMPONENTS

Parts noted with \* indicate use in builds prior to Nov. 2022



Model: WG3048G  
Countertop Gas Griddle: Cabinet Components

PL121

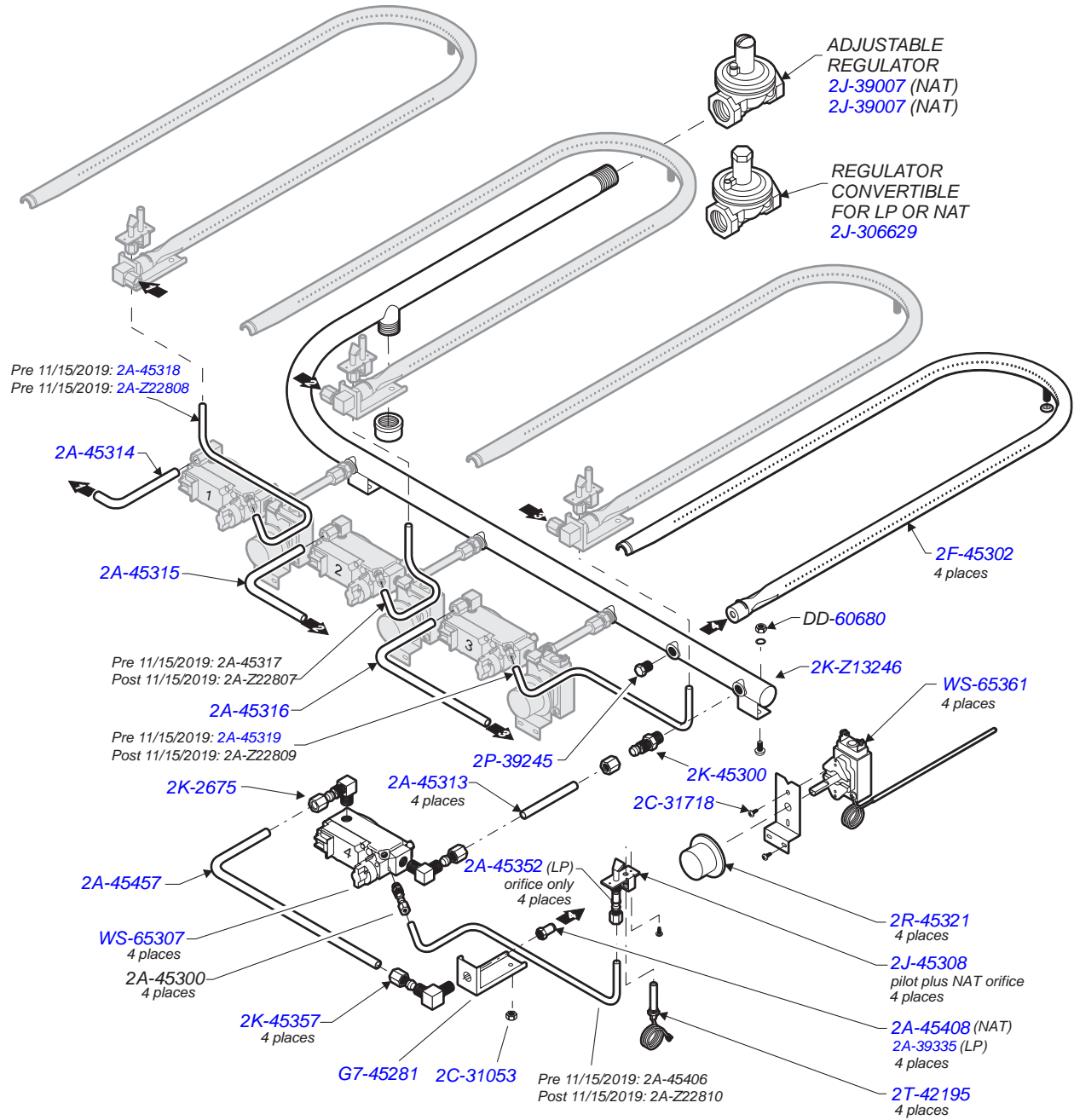
Namplate location  
after 4/2014

IL1840 REV D (10-22)

M121 p/n 2M-45324 Owners Manual Countertop Gas Griddles

# EXPLODED VIEW & PARTS LIST

## WG3048G FUEL SYSTEM COMPONENTS



Model: WG3048G  
Countertop Gas Griddle: Fuel System Components

PL121

IL1841 Rev. E 9/20



## PARTS & SERVICE

**DESCRIPTION**  
**SERVICE PART NO.**

LEGS, 4", METAL, SET OF 4	2A-Z0314
SCRAPER, GROOVED GRIDDLE	5G-20651
KIT, CONTROL PANEL ASSY	WS-WL1057

**IMPORTANT:** Use only factory authorized service parts and replacement filters.

For factory authorized service, or to order factory authorized replacement parts, contact your Wells authorized service agency, or call:

Wells Manufacturing  
265 Hobson St.,  
Smithville, TN 37166 USA

**Service Dept.**

phone: (800) 264-7827

Service Parts Department can supply you with the name and telephone number of the WELLS AUTHORIZED SERVICE AGENCY nearest you.

### CUSTOMER SERVICE DATA

please have this information available if calling for service

RESTAURANT \_\_\_\_\_ LOCATION \_\_\_\_\_

INSTALLATION DATE \_\_\_\_\_ TECHNICIAN \_\_\_\_\_

SERVICE COMPANY \_\_\_\_\_

ADDRESS \_\_\_\_\_ STATE \_\_\_\_\_ ZIP \_\_\_\_\_

TELEPHONE NUMBER (\_\_\_\_) \_\_\_\_ - \_\_\_\_\_

EQUIPMENT MODEL NO. \_\_\_\_\_ EQUIPMENT SERIAL NO. \_\_\_\_\_

FUEL: (check one)  Natural Gas  Liquid Gas / Propane



WELLS MANUFACTURING  
265 Hobson Street, Smithville, Tennessee 37166  
telephone: 800-264-7827  
[www.wells-mfg.com](http://www.wells-mfg.com)

121



Modèle WG2424G

## MANUEL DE L'UTILISATEUR

## PLAQUES DE COMPTOIR À GAZ

**MODÈLES  
WG2424G  
WG2436G  
WG3036G  
WG3048G**

**Contenu  
INSTALLATION, UTILISATION  
ET ENTRETIEN. VUE ÉCLATÉE  
ET PIÈCES SCHÉMA DE  
RACCORDEMENT**

### **POUR VOTRE SÉCURITÉ**

**Ne conservez pas d'essence ou tout autre liquide inflammable à proximité de ce dispositif ou de tout autre appareil.**

### **MISE EN GARDE:**

**Une installation, un réglage, une modification, un dépannage ou un entretien inadéquat peut entraîner des dommages matériels, corporels ou la mort. Lisez attentivement les directives d'installation, de fonctionnement et d'entretien avant d'installer ou de réparer cet appareil.**

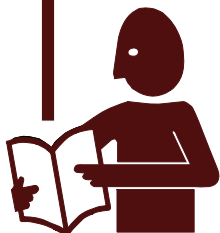
### **IMPORTANT:**

L'acheteur de cet appareil doit afficher, bien en vue, les directives à suivre advenant que l'utilisateur détecte une odeur de gaz. Cette information doit être obtenue auprès du fournisseur de gaz local.

### **IMPORTANT: NE JETEZ PAS CE MANUEL**

Ce manuel fait partie intégrante de l'appareil et doit être remis au PROPRIÉTAIRE ou au GÉRANT du restaurant, ou à la personne responsable de la FORMATION DES UTILISATEURS de cet appareil. Des manuels supplémentaires sont disponibles auprès de votre DÉTAILLANT WELLS.

**CE MANUEL DOIT ÊTRE LU ET COMPRIS PAR TOUTES LES PERSONNES UTILISANT OU INSTALLANT CET APPAREIL.** Contactez votre DÉTAILLANT WELLS si vous avez des questions concernant l'installation, le fonctionnement ou l'entretien de cet appareil.



## TABLE DES MATIÈRES

SPÉCIFICATIONS	1
CARACTÉRISTIQUES ET COMMANDES DE FONCTIONNEMENT	2
PRÉCAUTIONS ET RENSEIGNEMENTS GÉNÉRAUX	3
INFORMATION RELATIVE AUX ORGANISMES D'HOMOLOGATION	4
INSTALLATION	4
RÉGLAGE INITIAL	8
FONCTIONNEMENT	10
DIRECTIVES DE NETTOYAGE	
Plaques standards et rainurées	12
Plaques chromées	13
SUGGESTIONS DE DÉPANNAGE	14
SCHÉMA DE RACCORDEMENT	15
VUE EXPLOSÉE ET LISTE DES PIÈCES	16
PIÈCES ET DÉPANNAGE	27
COORDONNÉES DU SERVICE À LA CLIENTÈLE	27

## INTRODUCTION

Nous vous remercions d'avoir acheté cet appareil Wells Manufacturing.

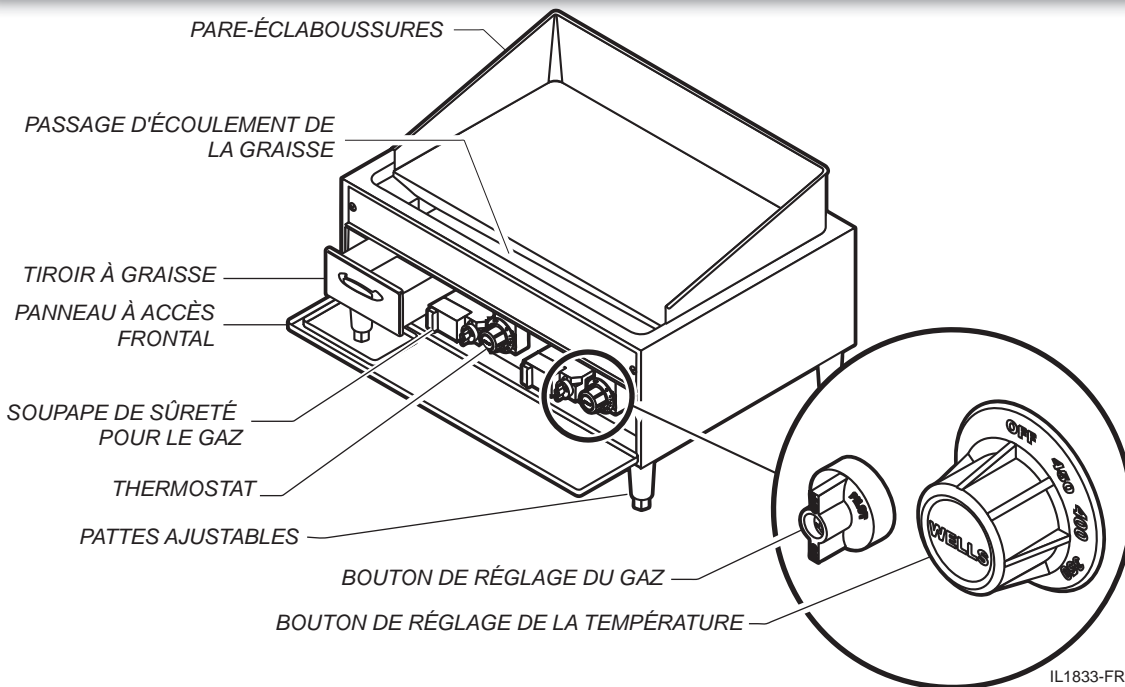
Une installation appropriée, un fonctionnement professionnel et un entretien régulier de cet appareil permettront à ce dernier de vous offrir un rendement optimal et une durée de vie prolongée et économique. Ce manuel contient les informations nécessaires pour installer adéquatement cet appareil, et pour l'utiliser et l'entretenir d'une façon qui assurera sa performance optimale.

## SPÉCIFICATIONS

MODÈLE	SURFACE DE CUISSON	COMBUSTIBLE	PRESSION DU DISTRIBUTEUR	BRÛLEUR BTU/H	TOTAL DE BTU/H
WG2424G	23 7/8 po x 20 1/2 po 2 BRÛLEURS	Gaz naturel	5,0 po C.E.	25 000 BTU/h	50 000 BTU/h
		Propane	10,0 po C.E.		
WG2436G	35 7/8 po x 20 1/2 po 3 BRÛLEURS	Gaz naturel	5,0 po C.E.	25 000 BTU/h	75 000 BTU/h
		Propane	10,0 po C.E.		
WG3036G	35 7/8 po x 24 po 3 BRÛLEURS	Gaz naturel	5,0 po C.E.	25 000 BTU/h	75 000 BTU/h
		Propane	10,0 po C.E.		
WG3046G	47 3/4 po x 24 po 4 BRÛLEURS	Gaz naturel	5,0 po C.E.	25 000 BTU/h	100 000 BTU/h
		Propane	10,0 po C.E.		

## CARACTÉRISTIQUES ET COMMANDES DE FONCTIONNEMENT

FRENCH



IL1833-FR

Fig. 1 Plaque de comptoir à gaz – Caractéristiques et commandes de fonctionnement

<b>PANNEAU À ACCÈS FRONTAL</b>	Donne accès au régulateur de gaz et au thermostat de contrôle de la température.
<b>THERMOSTAT / BOUTON DE RÉGLAGE DE LA TEMPÉRATURE</b>	Énergise le régulateur de gaz et permet l'allumage des brûleurs selon le réglage du bouton de réglage de la température et de la température ressentie à la surface de la plaque.
	Chaque section de la plaque est réglable séparément.
	La position du cadran est une indication du réglage de la température. La température actuelle à la surface de la plaque variera selon le type et la température initiale du produit, et autres variables.
<b>SOUPAPE DE SÛRETÉ POUR LE GAZ / RÉGULATEUR DE GAZ</b>	Procure la flamme à la veilleuse d'allumage. Permet le passage du combustible uniquement lorsque la flamme de la veilleuse est active.
<b>PASSAGE D'ÉCOULEMENT DE LA GRAISSE</b>	Passage ultra large avec coins arrondis pour un nettoyage aisé. Pentes profondes vers un grand orifice à déchet qui se déverse dans le tiroir à graisse amovible.
<b>TIROIR À GRAISSE</b>	Tiroir de grande capacité amovible par l'avant pour un nettoyage aisé.
<b>PARE-ÉCLABOUSSURES AMOVIBLE</b>	Pare-éclaboussures en acier inoxydable qui simplifie l'entretien de la plaque et qui aide à empêcher la graisse d'éclabousser les murs et les appareils adjacents.
<b>PLAQUE SIGNALÉTIQUE (située à l'arrière de l'appareil)</b>	Affiche les renseignements relatifs au fabricant, au modèle et au numéro de série. Indique aussi les exigences de spécification du combustible.

## PRÉCAUTIONS ET RENSEIGNEMENTS GÉNÉRAUX

Cet appareil est conçu pour la préparation d'aliments destinés à l'alimentation humaine.

Cet appareil est conçu pour la préparation d'aliments destinés à l'alimentation humaine. Aucune autre utilisation n'est recommandée ou autorisée par le fabricant ou ses agents.

Cette plaque doit être installée par un technicien compétent et certifié ou détenteur d'un permis pour l'installation d'équipement alimenté au gaz. Un technicien autorisé doit effectuer le démarrage et le réglage initiaux de cet appareil.

Les utilisateurs de cet appareil doivent connaître ses conditions d'utilisation, limites et restrictions connexes. Les directives de fonctionnement doivent être lues et comprises par toutes les personnes utilisant ou installant cet appareil.

La propreté de cet appareil est essentielle à un bon entretien sanitaire. Il faut lire et observer toutes les instructions et le calendrier de nettoyage pour assurer l'innocuité des aliments.

NE PAS plonger la plaque ou les brûleurs dans l'eau. NE PAS éclabousser ou verser de l'eau à l'intérieur de la plaque. Les brûleurs qui ont été en contact avec des liquides doivent être séchés en profondeur avant d'être utilisés.

La plaque doit être utilisée avec les pattes fournies installées adéquatement.

Le contenu technique de ce manuel, y compris les illustrations éclatées des pièces et/ou des procédures de réglage, est destiné à une utilisation par du personnel technique qualifié uniquement.

Toute procédure exigeant l'utilisation d'outils doit être effectuée par un technicien qualifié.

Ce manuel est considéré faire partie intégrante et permanente de cet appareil. Ce manuel et ses directives, diagrammes, schémas, illustrations éclatées de pièces, avis et étiquettes doivent demeurer avec l'appareil si ce dernier est vendu ou déplacé vers un autre emplacement.



### MISE EN GARDE: RISQUE D'INCENDIE

Advenant qu'une odeur de gaz soit détectée, il faut fermer l'appareil par la soupape d'arrêt principale du gaz et contacter le fournisseur de gaz local à partir d'un autre lieu environnant pour l'aviser de la situation.



### ATTENTION: RISQUE D'INCENDIE

NE PAS se tenir ou s'asseoir sur la plaque.



### ATTENTION: RISQUE DE CHUTE

NE PAS utiliser la plaque comme tabouret ou échelle.

## INFORMATION RELATIVE AUX ORGANISMES D'HOMOLOGATION

Cet appareil est fabriqué aux É.-U. À moins d'indication contraire, cet appareil présente des unités de mesure américaines sur tout l'équipement.

Cet appareil satisfait la norme 4 de la NSF s'il est entretenu et utilisé selon les directives contenues dans ce manuel.

Cet appareil satisfait les spécifications de la norme ANSI Z83.11 pour les appareils de service alimentaire alimentés au gaz.

Cet appareil est certifié CSA pour un fonctionnement au gaz.



NORME 4



## INSTALLATION

**REMARQUE:** NE PAS jeter la boîte ou tout autre emballage tant que l'appareil n'a pas été inspecté pour y détecter des dommages et mis à l'essai pour valider son fonctionnement. Se reporter à la PROCÉDURE DE RÉCLAMATION POUR DOMMAGE EN COURS D'EXPÉDITION présente à l'intérieur de la couverture de ce manuel.



### **DANGER: RISQUE POUR LA SANTÉ**

Cet appareil doit être adéquatement ventilé. La négligence de fournir une ventilation adéquate des gaz d'échappement peut entraîner des lésions graves et la mort.



### **MISE EN GARDE: RISQUE D'INCENDIE**

Ne pas entreposer de matières inflammables ou combustibles à proximité de cet appareil. La flamme nue de cet appareil peut enflammer de telles matières.

### **AVIS:**

La garantie du fabricant pour cette plaque est valide uniquement lorsque l'appareil est installé et utilisé conformément à ces directives et codes et règlements locaux ou, en l'absence de codes locaux, à la norme ANSI Z223.1 - National Fuel Gas Code (version actuelle). Le fabricant de la plaque n'assume aucune responsabilité pour tout dommage résultant d'un manque à se conformer à cet avis.

### **DÉBALLAGE ET INSPECTION**

Extraire avec précaution la plaque de la boîte. Enlever toutes les pellicules protectrices en plastique, les matériaux d'emballage et les accessoires de la plaque avant de la raccorder au gaz ou de procéder autrement à toute autre procédure d'installation.

Lire attentivement toutes les directives contenues dans ce manuel et le Feuillet des instructions d'installation accompagnant la plaque avant d'amorcer toute procédure d'installation.

Lire et comprendre toutes les étiquettes et tous les schémas joints à la plaque.

Faire le décompte précis de tous les composants et accessoires avant de jeter tout emballage. Entreposer tous les accessoires à un endroit commode pour une utilisation ultérieure.

Nettoyer rigoureusement l'appareil avant de l'utiliser. Se reporter aux Instructions de nettoyage à la page 12.

### **INSTALLATION**

Les pattes fournies doivent être installées convenablement. Une fois installées, les pattes NE doivent PAS être enlevées.

La plaque doit être nivelée à l'aide d'un niveau à bulle d'air jusqu'à sa position de fonctionnement finale, et ce, avant de procéder au raccordement des conduits de gaz.

Installer la plaque uniquement sur une surface plane et de niveau. Un matériau non combustible (p. ex. : métal, terrazzo) est requis.

Des dégagements adéquats pour les orifices d'air dans le cabinet doivent être prévus. Maintenir un espace d'au moins 3 po avec les surfaces adjacentes.

La plaque doit être installée dans une zone avec un air d'appoint suffisant pour une combustion adéquate, et de façon à ce que l'évacuation de la combustion et de l'air ventilé ne soit pas obstruée.

Lorsque l'appareil est utilisé avec un ventilateur aspirant, des précautions particulières doivent être observées pour éviter les interférences avec le fonctionnement de la plaque, comme les courants d'air et la privation d'air.

La version actuelle de la norme NFPA 96, intitulée Standard for the Installation of Equipment for the Removal of Smoke and Grease Laden Vapors from Commercial Cooking Equipment, précise les exigences de ventilation pour assurer l'évacuation des gaz d'échappement et des produits de la combustion.

**L'INSTALLATEUR A LA RESPONSABILITÉ DE S'ASSURER QUE L'INSTALLATION DE CETTE PLAQUE À GAZ SATISFAIT TOUS LES CODES ET RÈGLEMENTS EN VIGUEUR.**

**NE PAS** entreposer des matières inflammables ou combustibles sur, dans ou près de la plaque.

La zone où est installée la plaque doit être exempte de matières combustibles et inflammables. Cela comprend les lavettes, chiffons, graisses, papiers d'emballage et cordons électriques.

## CONFORMITÉ AU CODE DES APPAREILS ALIMENTÉS AU GAZ

L'installation du conduit de gaz du côté refoulement du compteur à gaz ou du régulateur de service jusqu'à la plaque doit être effectuée par un technicien compétent et certifié ou détenant un permis pour l'installation d'équipement alimenté au gaz.

Un technicien compétent et détenant un permis doit effectuer le démarrage et le réglage initiaux de cet appareil.

L'installation de cet appareil alimenté au gaz doit être conforme aux codes locaux ou, en l'absence de codes locaux, à la version en vigueur de la norme ANSI Z223.1.

Pour utilisation dans l'État du Massachusetts, cet appareil doit être installé conformément au **Code CMR 248 - Massachusetts Fuel Gas and Plumbing**.

L'installation de cet appareil alimenté au gaz doit satisfaire les portions applicables de la norme NFPA 96 en matière de ventilation.

Le dispositif de ventilation de cet appareil ne doit pas être obstrué, et ce même dispositif ne doit pas nuire à l'écoulement de l'air de combustion requis pour le fonctionnement approprié des brûleurs à gaz.

De plus :

1. Le conduit d'approvisionnement du gaz utilisé pour raccorder la plaque au système d'approvisionnement du gaz doit être fabriqué de fer noir ou d'un autre matériau approuvé par le règlement local pour conduits de gaz.
2. Le conduit d'approvisionnement en gaz doit présenter un pas de tuyauterie d'au moins  $\frac{3}{4}$  po.
3. Utiliser un scellant à conduit fabriqué précisément pour des conduits à gaz sur tous les raccords de conduit. Appliquer modérément le scellant uniquement sur le filetage extérieur. Le scellant doit pouvoir résister à l'action du pétrole liquéfié. Le ruban pour joints filetés en téflon n'EST PAS recommandé pour les installations au gaz.
4. Vérifier que tous les conduits d'approvisionnement sont propres et exempts d'obstruction, de poussière, d'éclat et de scellant à conduit avant de procéder à l'installation.
5. Tous les joints de conduits doivent être inspectés pour y déceler les fuites avant l'allumage. Les vérifications de fuite doivent être effectuées avec une solution d'eau et de savon. **NE JAMAIS PROCÉDER À LA VÉRIFICATION DE FUITES AVEC UNE FLAMME NUE.**



**DANGER:  
RISQUE  
D'INCENDIE  
ET  
D'EXPLOSION**

NE JAMAIS utiliser une flamme nue pour procéder à la vérification des fuites de gaz. Cela peut entraîner un incendie ou une explosion.

### IMPORTANT :

Tous les joints des conduits doivent être inspectés pour y déceler des fuites avant l'allumage. Les vérifications de fuite doivent être effectuées avec une solution d'eau et de savon.

### IMPORTANT :

L'information relative à la construction et à l'installation de hottes de ventilation doit être obtenue auprès de la norme NFPA 96 en vigueur intitulée Standard for the Installation of Equipment for the Removal of Smoke and Grease Laden Vapors from Commercial Cooking Equipment.

Des exemplaires de cette norme peuvent être acquis auprès de la

Nation Fire Protection Association :

NFPA  
1 Batterymarch Park  
P.O. Box 9101  
Quincy, MA 02269-9101

## INSTALLATION



### **DANGER:** **RISQUE** **D'INCENDIE ET** **D'EXPLOSION**

NE JAMAIS utiliser une flamme nue pour détecter les fuites de gaz. Cela peut entraîner un incendie ou une explosion.

#### **IMPORTANT:**

Tous les joints de conduits doivent être inspectés pour y déceler les fuites avant l'allumage. Les vérifications de fuite doivent être effectuées avec une solution d'eau et de savon.



### **MISE EN GARDE:** **RISQUE** **D'INCENDIE**

Cette plaque est dotée d'un régulateur de pression de gaz.

La négligence d'installer adéquatement le régulateur fourni entraînera une condition extrêmement dangereuse.

La flèche d'écoulement estampillée sur le corps du régulateur doit pointer en direction de la plaque.

La vis de réglage du régulateur et le trou d'aération doivent pointer vers le HAUT.

#### **IMPORTANT:**

Vérifier le type de gaz d'alimentation. Si le comburant ne correspond pas à la spécification de la plaque signalétique, remplacer la plaque pour une de type approprié. NE PAS tenter de modifier un appareil en vue de lui faire accepter un comburant différent.

#### **IMPORTANT:**

Vérifier le type de gaz d'alimentation. Si le comburant ne correspond pas à la spécification de la plaque signalétique, remplacer la plaque pour une de type approprié. NE PAS tenter de modifier un appareil en vue de lui faire accepter un comburant différent.

## INSTALLATION DE LA PLAQUE

Se reporter à la plaque signalétique. Vérifier le type de comburant et la pression, lesquels doivent correspondre aux spécifications de la plaque signalétique. Le raccordement de la plaque au mauvais type de comburant et/ou de pression compromettra la sécurité et/ou le rendement de l'appareil.

La plaque doit être installée dans sa position de fonctionnement final et nivelée d'avant à l'arrière et latéralement, à l'aide d'un niveau à bulle, avant d'amorcer l'installation des conduits de gaz. Revérifier le nivellement de l'appareil une fois achevée l'installation des conduits de gaz.

Chaque plaque alimentée au gaz est dotée d'un régulateur de pression du gaz séparé.

Le régulateur fourni doit être utilisé, et doit être installé sur le conduit du distributeur saillant à l'arrière de la plaque. S'assurer que le régulateur est installé de façon à ce que la flèche d'écoulement estampillée sur le corps du régulateur pointe vers la plaque. La négligence d'installer adéquatement le régulateur fourni entraînera une condition extrêmement dangereuse.

Un purgeur de condensant (collecteur de condensat), composé d'un raccord en T, d'un raccord fileté de 4 po et d'un capuchon, doit être installé en amont du régulateur de pression du gaz.

Une soupape d'arrêt manuel peut être requise par les codes locaux et est, de toute façon, fortement recommandée. La soupape d'arrêt doit être installée entre le conduit d'approvisionnement en gaz et le régulateur de pression du gaz.

La responsabilité incombe à l'installateur du conduit de gaz de déterminer les exigences du code relatives à une soupape d'arrêt.

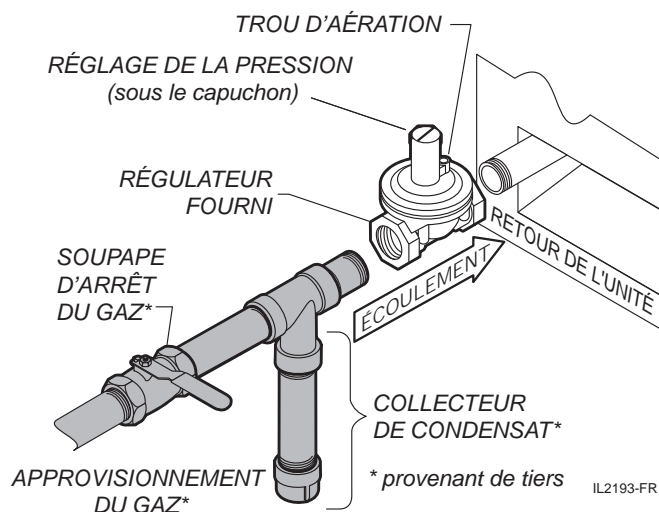


Fig. 2 Conduit d'approvisionnement du gaz

Les soupapes d'arrêt, les purgeurs de condensat et tous les conduits connexes doivent être fournis par l'installateur des conduits de gaz.

**MISE À L'ESSAI SOUS PRESSION DU CONDUIT À GAZ**

Le système de conduit principal doit être en mesure de fournir un volume/écoulement suffisant de comburant à la plaque afin de satisfaire les exigences d'apport opérationnel maximales.

S'assurer que le système de conduit d'approvisionnement a été mis à l'essai sous pression avant de procéder au raccordement du régulateur et de la plaque. Si le système doit être remis à l'essai, s'assurer que le régulateur est isolé par une soupape d'arrêt manuel afin de prévenir les dommages au régulateur et aux soupapes de la plaque à gaz.

Le conduit et les raccords doivent être inspectés pour déceler les fuites à l'aide d'une solution d'eau et de savon. **NE PAS** utiliser une flamme pour vérifier les fuites de gaz.

La pression du gaz de l'équipement (la pression en aval du régulateur de pression) peut être mise à l'essai en adaptant un manomètre de colonne d'eau aux orifices avec capuchon situés sur le distributeur principal d'alimentation en gaz. Le régulateur de pression fourni avec la plaque à gaz est réglé en usine pour une pression nominale du gaz de 5 po C.E.

S'assurer d'enlever tout adaptateur, de remettre le capuchon et de procéder à une détection de fuite de l'orifice avant de remettre la plaque en fonction. La vérification de fuite doit être effectuée avec une solution d'eau et de savon. **NE PAS** utiliser une flamme pour détecter les fuites de gaz.

**EXIGENCES DE MISE À L'ESSAI DU VOLUME D'ÉCOULEMENT DE L'APPROVISIONNEMENT EN GAZ**

Lors de la mise à l'essai de la pression adéquate du gaz, s'assurer que tous les autres appareils à gaz qui utilisent le même conduit source sont en fonction avec les brûleurs **ALLUMÉS**, afin d'assurer des conditions de fonctionnement précises.

Si le volume d'écoulement dans le conduit du système est marginal, et que les autres appareils de ce système ne consomment pas de gaz pendant la mise à l'essai de la pression, les résultats de l'essai peuvent s'avérer imprécis.

**IMPORTANT:**

**LA MISE À L'ESSAI DE LA PRESSION DOIT ÊTRE EFFECTUÉE PAR UN TECHNICIEN QUALIFIÉ UNIQUEMENT.**

**REMARQUE:** La pression d'entrée maximale provenant du conduit d'approvisionnement ne doit pas excéder ½ psi (14 po C.E.) Une pression supérieure à cette limite causera des dommages au régulateur et aux soupapes de gaz.

L'orifice pour mesurer la pression de sortie du gaz est situé sur le manifold. Enlever le tiroir à graisse pour y accéder.

Enlever le capuchon à tête à six pans creux qui scelle l'orifice d'essai, raccorder ensuite le boyau d'un distributeur de colonne d'eau.

S'assurer de réinstaller le capuchon à tête à six pans creux à la fin de la mise à l'essai.

## RÉGLAGE INITIAL

### IMPORTANT:

**LE RÉGLAGE DE LA PRESSION DOIT ÊTRE EFFECTUÉ PAR UN TECHNICIEN QUALIFIÉ UNIQUEMENT.**

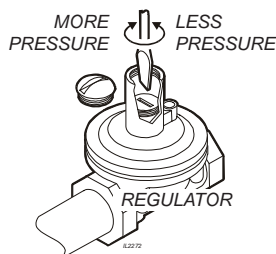


Fig. 3 Réglage de la pression du gaz

### IMPORTANT:

**LE RÉGLAGE DE LA FLAMME DOIT ÊTRE EFFECTUÉ PAR UN TECHNICIEN QUALIFIÉ UNIQUEMENT.**

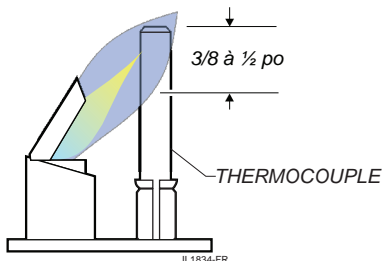


Fig. 4 Réglage de la flamme de la veilleuse

### IMPORTANT:

**LE RÉGLAGE DE LA FLAMME DOIT ÊTRE EFFECTUÉ PAR UN TECHNICIEN QUALIFIÉ UNIQUEMENT.**

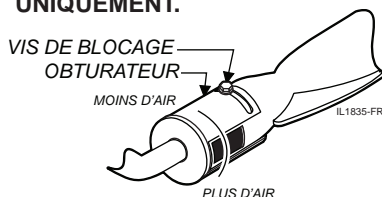


Fig. 5 Réglage de la flamme du brûleur

### PURGE DE L'AIR DES CONDUITS DE GAZ

L'air doit être purgé des conduits de gaz pour le démarrage initial. Mettre le bouton situé sur la soupape de sûreté à la position PILOT, l'enfoncer et le maintenir ainsi jusqu'à ce qu'une flamme puisse être obtenue au brûleur de la veilleuse. Répéter pour chaque veilleuse.

Une attention particulière doit être prise pour s'assurer qu'aucun gaz brut n'est présent dans l'environnement immédiat lors de la tentative de mise en fonction de la plaque.

### RÉGLAGE DE LA PRESSION DU GAZ :

Mettre la soupape d'arrêt du gaz à la position OFF.

Enlever l'obturateur du robinet de mesure de la pression du gaz et y fixer un manomètre. Mettre la soupape d'arrêt à la position ON. Allumer la veilleuse et tourner les deux soupapes de régulation du gaz à la position HI.

Enlever le capuchon du régulateur de pression. Tourner la vis de réglage dans le sens des aiguilles d'une montre pour augmenter la pression; et dans le sens inverse des aiguilles d'une montre pour réduire la pression. Régler le régulateur de pression du gaz à:

- 5 po de colonne d'eau (gaz naturel); ou,
- 10 po de colonne d'eau (propane).

Une fois terminé, replacer le capuchon sur le régulateur, mettre la soupape d'arrêt à la position OFF, enlever le manomètre et réinstaller l'obturateur dans le robinet. Remettre la soupape d'arrêt à la position ON et rallumer la veilleuse.

### RÉGLAGE DE LA FLAMME DE LA VEILLEUSE

La flamme de la veilleuse peut être ajustée au niveau de la soupape de sûreté en enlevant le couvercle de la vis de réglage de la veilleuse (remarquer la rondelle en fibre) et en tournant la vis de réglage jusqu'à ce que la flamme de la veilleuse couvre une section verticale de 3/8 po à 1/2 po du thermocouple. Cela assurera que le thermocouple alimentera la soupape de la veilleuse et maintiendra la flamme de la veilleuse active. Ne pas oublier de replacer le couvercle et la rondelle en fibre une fois les réglages terminés.

Pour vérifier la calibration de la thermopile, mettre le bouton de régulation du brûleur principal à la position OFF. Raccorder un millivoltmètre aux raccordements TP et TP et TH situés sur la plaque à bornes rouge de la soupape de sûreté. Le thermocouple devrait générer 200 mV (minimum) dans les 2 minutes suivant l'allumage de la flamme de la veilleuse. Une énergie de 250 mV procurera suffisamment de puissance pour ouvrir autant la soupape de la veilleuse que la soupape du brûleur principal.

Pour prolonger la durée de vie du thermocouple et réduire la consommation de gaz, la lecture ne devrait pas être supérieure à 500 mV.

### MÉLANGE AIR/COMBURANT DU BRÛLEUR PRINCIPAL

Chaque brûleur principal est doté d'un obturateur de réglage à l'extrémité de l'entrée du brûleur. Ce collet est retenu par une vis à tête hexagonale de 1/4 po. Dévisser la vis et faire pivoter l'obturateur pour régler la quantité d'air de combustion mélangée avec le gaz entrant lorsqu'il atteint le brûleur principal. Ajuster le mélange carburant/air afin de produire une flamme bleue et stable. Revisser la vis de blocage une fois le mélange bien établi.

## PRÉPARATION DE LA SURFACE DE LA PLAQUE

### HUILAGE DES PLAQUES STANDARDS

Tel que fabriquée, la surface en acier de votre plaque Wells est dotée de pores microscopiques. Il est important de remplir ces pores avec de l'huile afin d'offrir une surface de cuisson antiadhésive rigide.

- A. Préchauffer la surface de la plaque à 375 °F (191 °C).
- B. Pulvériser une légère pellicule d'huile de cuisson sur toute la surface de la plaque.
- C. Laisser chauffer la pellicule d'huile pendant environ 2 minutes, ou jusqu'à l'échappement de fumées.
- D. Essuyer la surface de la plaque avec un linge humide propre jusqu'à l'élimination de toute l'huile.
- E. Pour les nouvelles plaques, répéter cette procédure 2 à 3 fois jusqu'à l'apparition d'une surface lisse et propre sur la plaque.

### PLAQUES CHROMÉES

Puisque les pores microscopiques présents sur la surface de la plaque sont remplis par le chrome, aucun huilage de la surface de la plaque n'est nécessaire.

- A. Nettoyer rigoureusement la surface de la plaque avec un linge doux et propre et une petite quantité de détergent doux.
- B. Rincer et sécher totalement après le nettoyage.
- C. La plaque est maintenant prête pour utilisation.

**IMPORTANT: LES ÉGRATIGNURES ENDOMMAGERONT LA SURFACE CHROMÉE!**

**N'UTILISER AUCUN** élément sur une plaque chromée qui pourrait égratigner la surface.

**NE PAS** nettoyer une surface chromée avec des briques à plaque, des pierres poncees ou des détergents.

## FONCTIONNEMENT



### MISE EN GARDE: RISQUE D'INCENDIE

#### SI VOUS DÉTECTEZ UNE ODEUR DE GAZ:

- ❑ NE PAS tenter d'allumer aucun appareil.
- ❑ NE PAS toucher aucun commutateur électrique.
- ❑ NE PAS utiliser aucun téléphone dans le même édifice.

Si une odeur de gaz est détectée, fermer l'appareil à la soupape d'arrêt du gaz principal et contacter le fournisseur de gaz local d'un endroit environnant autre.

Observer immédiatement et précisément les directives émises par le fournisseur de gaz.



### MISE EN GARDE: RISQUE D'INCENDIE

NE JAMAIS tenter de forcer ou de réparer une soupape de régulation. Contacter le centre de dépannage autorisé de Wells pour toute réparation. Les soupapes forcées ou réparées inadéquatement présentent un risque d'incendie et/ou d'explosion.

#### REMARQUE:

*LES INSTRUCTIONS  
D'ALLUMAGE SONT  
AFFICHÉES À L'INTÉRIEUR  
DU PANNEAU FRONTAL.*

#### REMARQUES GÉNÉRALES SUR LE FONCTIONNEMENT

Lire attentivement la description du fonctionnement de la plaque présente sur le feuillet des spécifications.

NE PAS utiliser cet appareil s'il a été immergé dans l'eau.

Contactez un technicien qualifié pour examiner l'appareil et pour réparer ou remplacer tout composant ayant été immergé. Les brûleurs ayant été en contact avec du liquide doivent être totalement séchés avant d'être utilisés.

Pour le démarrage initial, et chaque fois que le gaz a été coupé, plusieurs minutes peuvent être requises pour allumer la veilleuse puisque l'air dans les conduits et distributeurs doit d'abord être purgé.

Le bouton de réglage du gaz doit être tourné de façon manuelle uniquement. Ne jamais utiliser des outils pour tourner le bouton de réglage. Si le bouton ne tourne pas manuellement, NE PAS tenter de le forcer ou de le réparer. Contacter le centre de dépannage autorisé de Wells pour toute réparation. Les soupapes forcées ou réparées de façon inadéquate peuvent présenter un risque d'incendie et/ou d'explosion.

S'assurer que le tiroir à graisse est installé correctement avant de tenter de faire fonctionner l'appareil.

#### ALLUMAGE DE LA VEILLEUSE

Avant d'allumer la veilleuse, sentir partout autour de l'appareil pour détecter une odeur de gaz potentielle. S'assurer de sentir près du niveau du sol puisque certains gaz sont plus lourds que l'air et demeureront au ras du sol.

Pour le démarrage initial, et chaque fois que le gaz a été coupé, plusieurs minutes peuvent être requises pour allumer la veilleuse puisque l'air dans les conduits et distributeurs doit d'abord être purgé.

Chaque brûleur est doté d'une veilleuse qui doit être allumée avant que le brûleur principal connexe puisse être mis en fonction. Cette procédure requiert l'utilisation d'une allumette LONGUE ou d'un briquet à foyer. Régler tous les boutons de réglage de la température et des soupapes de sûreté du gaz à la position OFF.

Pour allumer la veilleuse, tourner le bouton situé sur la soupape de sûreté (adjacent à chaque thermostat) à la position PILOT. Enfoncer et maintenir le bouton de la soupape de sûreté et allumer la veilleuse. La veilleuse est située derrière le déflecteur frontal et est visible par la petite ouverture prévue dans le déflecteur.

Une fois la veilleuse allumée, retirer l'allumette ou le briquet. Continuer à enfoncer le bouton pendant environ 30 secondes avant de le relâcher graduellement. Lorsque le bouton est totalement relâché, la veilleuse devrait demeurer allumée.

Une fois la veilleuse allumée, tourner le bouton de la soupape de sûreté dans le sens inverse des aiguilles d'une montre jusqu'à la position ON.

**UTILISATION DE LA PLAQUE**

Consulter le tableau ci-dessous pour les températures de cuisson recommandées. Tourner le bouton de réglage de la température jusqu'à la température désirée.

Pour les surfaces standards:

- Maintenir la surface de la plaque propre et bien huilée pendant l'utilisation.
- Racler fréquemment les déchets de cuisson dans le passage d'écoulement de la graisse pendant l'utilisation.
- Brosser occasionnellement ou pulvériser une fine couche d'huile de cuisson sur la surface de la plaque afin de maintenir la propriété antiadhésive de la surface.

Pour les surfaces chromées :

- Racler les déchets de cuisson dans le passage d'écoulement de la graisse après la préparation de chaque commande.
- NE PAS cogner ou heurter la surface de la plaque avec des casseroles, chaudrons, spatules ou d'autres ustensiles en métal puisque cela peut endommager l'enduit chromé.

**DURÉES ET TEMPÉRATURES DE CUISSON RECOMMANDÉES**

PRODUIT	TEMPÉRATURE °F / °C	DURÉE
Chapelet ou galette de saucisses	350 ° / 177 °	3 minutes
Bacon	350 ° / 177 °	2 à 3 minutes
Bacon canadien	350 ° / 177 °	2 à 3 minutes
Tranche de jambon	375 ° / 190 °	3 à 4 minutes
Jambon grillé	375 ° / 190 °	2 minutes
Filet de bœuf	400 ° / 204 °	3 à 4 minutes
Bifteck minute	400 ° / 204 °	3 à 4 minutes
Côte d'ailoyau, 1 po d'épaisseur	400 ° / 204 °	3 à 5 minutes
Hamburger	350 ° / 177 °	3 à 4 minutes
Cheeseburger	350 ° / 177 °	3 à 4 minutes
Sandwich au fromage fondu	375 ° / 190 °	3 à 4 minutes
Hot dog	365 ° / 163 °	2 à 3 minutes

**MISE EN GARDE: RISQUE D'INCENDIE ET D'EXPLOSION**

Si la veilleuse s'éteint, fermer la soupape d'arrêt du gaz. Laisser l'appareil reposer pendant cinq minutes avant de tenter de la rallumer.

**ATTENTION : SURFACE CHAUDE**

Les surfaces exposées peuvent être chaudes au toucher et causer des brûlures.

**REMARQUE :**

Les sections séparées de la plaque peuvent être réglées à des températures différentes. Cela permet de préparer divers produits simultanément, et de conserver les produits préparés à une température de consommation après la cuisson.

Pour de meilleurs résultats, les diverses températures devraient être réglées du plus froid au plus chaud de façon séquentielle sur la largeur de la plaque. (La chaleur migrera sur toute la surface de la plaque). Régler une section à basse température adjacente à une section réglée à température élevée peut surchauffer les éléments de la section à température élevée puisque le thermostat tente de compenser la chaleur perdue dans la section à basse température.)

**REMARQUE :**

Les durées et températures de cuisson offertes dans ce tableau ne sont que des suggestions.

Votre propre expérience avec les articles de votre propre menu sera votre meilleure guide pour réaliser les meilleurs aliments.

## DIRECTIVES DE NETTOYAGE – PLAQUES STANDARDS ET RAINURÉES



### ATTENTION: RISQUE DE BRÛLURES

La plaque sera chaude pendant les portions de cette procédure de nettoyage.

Toujours porter des gants et un tablier de protection contre la chaleur.

**IMPORTANT: NE PAS** déverser ou verser d'eau dans les boutons, le panneau de réglage ou le câblage.

**NE PAS** permettre aux brûleurs principaux ou aux veilleuses d'entrer en contact avec du liquide.

**NE PAS** immerger la plaque dans l'eau. Cela causera des dommages aux composants internes.

Les dommages aux composants internes causés par un contact avec de l'eau ne sont pas couverts par la garantie.

**IMPORTANT : NE JAMAIS UTILISER DE LA LAINE D'ACIER POUR NETTOYER LA SURFACE DE LA PLAQUE!**

**NE PAS** utiliser un détergent ou un produit à nettoyer les fours pour laver la surface de la plaque.

**IMPORTANT: NE PAS** utiliser de la laine d'acier ou des nettoyants abrasifs pour nettoyer le boîtier de la plaque.

### PRÉPARATION

Régler la température à 220 °F (104 °C). Laisser la température de la plaque atteindre 220°F (104 °C) avant de procéder.

### FRÉQUENCE

Tous les jours

### OUTILS

Brique à plaque ou pierre ponce, brosse en fibres, tampon à récurer en plastique, racloir en plastique, racloir profilé (plaque rainurée), détergent doux, nettoyant non abrasif, linge ou éponge douce et propre.

### NETTOYAGE

Verser une petite quantité d'eau sur la surface de la grille et la laisser « grésiller ».

Laver la surface de la plaque :

- Pour les plaques standards, utiliser une pierre ponce ou une brique à plaque pour racler les déchets alimentaires. Nettoyer la surface de la plaque jusqu'à l'obtention d'un métal brillant. Essuyer tout résidu de poudre restant.
- Pour les plaques rainurées, utiliser le racloir profilé fourni pour racler les déchets alimentaires. Nettoyer la surface de la plaque jusqu'à l'obtention d'un métal brillant.

Utiliser une brosse à fibres douces dans un mouvement circulaire pour éliminer toute particule d'aliment restante.

Tourner le bouton de réglage de la température à la position OFF. Laisser refroidir la surface de la plaque et l'essuyer ensuite avec un linge propre. Sécher totalement la surface de la plaque.

**IMPORTANT :** Huiler la surface de cuisson après chaque nettoyage. Se reporter à la page 6.

Au moins une fois par jour, le passage d'écoulement de la graisse doit être nettoyé.

À l'aide d'un racloir, retirer toute la graisse et tous les déchets alimentaires du passage d'écoulement de la graisse en les poussant dans le trou à déchets, jusque dans le tiroir à graisse.

Après avoir raclé tous les déchets alimentaires du passage d'écoulement vers le tiroir à graisse, transporter ce dernier vers la zone de nettoyage de la cuisine et jeter tous les déchets de façon appropriée.

- Nettoyer le tiroir avec de l'eau chaude et un détergent doux.
- Sécher à fond le tiroir et le réinstaller dans la plaque.

Nettoyer le pare-éclaboussures dans l'évier avec de l'eau chaude et un détergent doux, ou dans le lave-vaisselle. Rincer à fond et le réinstaller.

Essuyer l'extérieur du boîtier de la plaque avec un linge propre et un nettoyant non abrasif. Rincer à fond avec de l'eau et un linge propre.

Sécher avec un linge propre et doux.

La procédure est terminée.

## DIRECTIVES DE NETTOYAGE – PLAQUES CHROMÉES

<b>PRÉPARATION</b>	Régler la température à 220 °F (104 °C). Laisser la température de la plaque atteindre 220 °F (104 °C) avant de procéder.
<b>FRÉQUENCE</b>	Tous les jours
<b>OUTILS</b>	Racloir de style rasoir de 4 po, brosse en fibres douces, détergent doux, nettoyant non abrasif, linge ou éponge doux et propre.


**ATTENTION :  
RISQUE DE  
BRÛLURES**

La plaque sera chaude pendant les portions de cette procédure de nettoyage. Toujours porter des gants et un tablier de protection contre la chaleur.

**NETTOYAGE**

Verser une petite quantité d'eau sur la surface de la grille et la laisser « grésiller ».

Utiliser un racloir de style rasoir de 4 po pour nettoyer les particules d'aliments restant sur la surface de la plaque.

**IMPORTANT: NE JAMAIS UTILISER UNE BRIQUE À PLAQUE, UNE PIERRE PONCE OU UNE LAINE D'ACIER POUR NETTOYER LA SURFACE DE LA PLAQUE!**

NE PAS utiliser de détergent ou produit à nettoyer les fours pour laver la surface de la plaque.

**IMPORTANT: NE JAMAIS cogner ou heurter la surface de la plaque avec des ustensiles, des spatules, des casseroles, des chaudrons ou des racloirs en métal.**

Utiliser une brosse à fibres douces dans un mouvement circulaire pour éliminer toute particule d'aliment restante.

Tourner le bouton de réglage de la température à la position OFF. Laisser refroidir la surface de la plaque et l'essuyer ensuite avec un linge propre. Sécher totalement la surface de la plaque.

Au moins une fois par jour, le passage d'écoulement de la graisse doit être nettoyé.

À l'aide d'un racloir, retirer toute la graisse et tous les déchets alimentaires du passage d'écoulement de la graisse en les poussant dans le trou à déchets, jusque dans le tiroir à graisse.

Après avoir raclé tous les déchets alimentaires du passage d'écoulement vers le tiroir à graisse, transporter ce dernier vers la zone de nettoyage de la cuisine et jeter tous les déchets de façon appropriée.

- Nettoyer le tiroir avec de l'eau chaude et un détergent doux.
- Sécher à fond le tiroir et le réinstaller dans la plaque.

Nettoyer le pare-éclaboussures dans l'évier avec de l'eau chaude et un détergent doux, ou dans le lave-vaisselle. Rincer à fond et le réinstaller.

Essuyer l'extérieur du boîtier de la plaque avec un linge propre et un nettoyant non abrasif. Rincer à fond avec de l'eau et un linge propre.

Sécher avec un linge propre et doux.

La procédure est terminée.

**IMPORTANT: NE PAS déverser ou verser d'eau dans les boutons, le panneau de réglage ou le câblage. NE PAS permettre aux brûleurs principaux ou aux veilleuses d'entrer en contact avec du liquide.**

**IMPORTANT: NE PAS déverser ou verser d'eau dans les boutons, le panneau de réglage ou le câblage.**

**NE PAS immerger la plaque dans l'eau. Cela causera des dommages aux composants internes.**

Les dommages aux composants internes causés par un contact avec de l'eau **ne sont pas** couverts par la garantie.

**IMPORTANT: NE PAS utiliser des briques à plaque, des laines d'acier ou des détergents abrasifs pour nettoyer la surface de cuisson chromée.**

**IMPORTANT: NE PAS utiliser des laines d'acier ou des détergents abrasifs pour nettoyer le boîtier de la plaque.**

**IMPORTANT: NE JAMAIS cogner ou heurter la surface de la plaque avec des ustensiles, des spatules, des casseroles, des chaudrons ou des racloirs en métal.**

## SUGGESTIONS DE DÉPANNAGE

DESCRIPTION	PROBLÈME POTENTIEL	RÉPARATION SUGGÉRÉE
La veilleuse ne s'allume pas	Alimentation du gaz fermée	Vérifier les soupapes de gaz principales et de l'appareil.
	Air dans les conduits	Ouvrir la soupape de gaz. Tenter d'allumer la veilleuse toutes les 15 secondes.
	Soupape de veilleuse non à la position ON ou non enfoncée	Se référer à la page 10 pour les directives d'allumage de la veilleuse.
Les brûleurs ne s'allument pas	Veilleuse de pilote non allumée	Fermer le gaz — laisser l'appareil refroidir pendant 5 minutes. Rouvrir le gaz et allumer la veilleuse.
	Réglage non à la position ON	Tourner le bouton de réglage de la température à la température désirée.
Un brûleur individuel ne s'allume pas	Eau dans le brûleur	Retirer le brûleur et sécher à fond.
	Dompage au bouton de réglage de la température, au brûleur ou à un autre composant interne	Contactez un centre de dépannage autorisé de Wells pour procéder aux réparations.
Le brûleur n'est pas suffisamment chaud	Bouton de réglage de la température non réglé	Régler à la température désirée.
	Mauvais réglage de l'obturateur ou de la buse	Contactez un technicien qualifié pour procéder au dépannage.
	Dompage au bouton de réglage de la température, à l'élément ou à un autre composant interne	Contactez un centre de dépannage autorisé de Wells pour procéder aux réparations.
De la graisse s'écoule de la plaque	Tiroir à graisse plein ou non installé	Vider le tiroir à graisse ou l'installer adéquatement.
	Dompage à un composant interne	Contactez un centre de dépannage autorisé de Wells pour procéder aux réparations.

**REMARQUE :** Il n'y a aucun composant réparable par l'utilisateur dans la plaque. Pour tout type de dompage ou de mauvais fonctionnement, contactez un centre de dépannage autorisé de Wells pour effectuer toute réparation.



Wells proudly supports CFESA  
Commercial Food Equipment Service Association

**SERVICE TRAINING - QUALITY SERVICE**



**CUSTOMER SATISFACTION**



WELLS MANUFACTURING  
265 Hobson Street, Smithville, Tennessee 37166  
telephone: 800-264-7827  
[www.wells-mfg.com](http://www.wells-mfg.com)