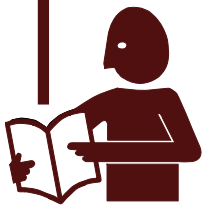




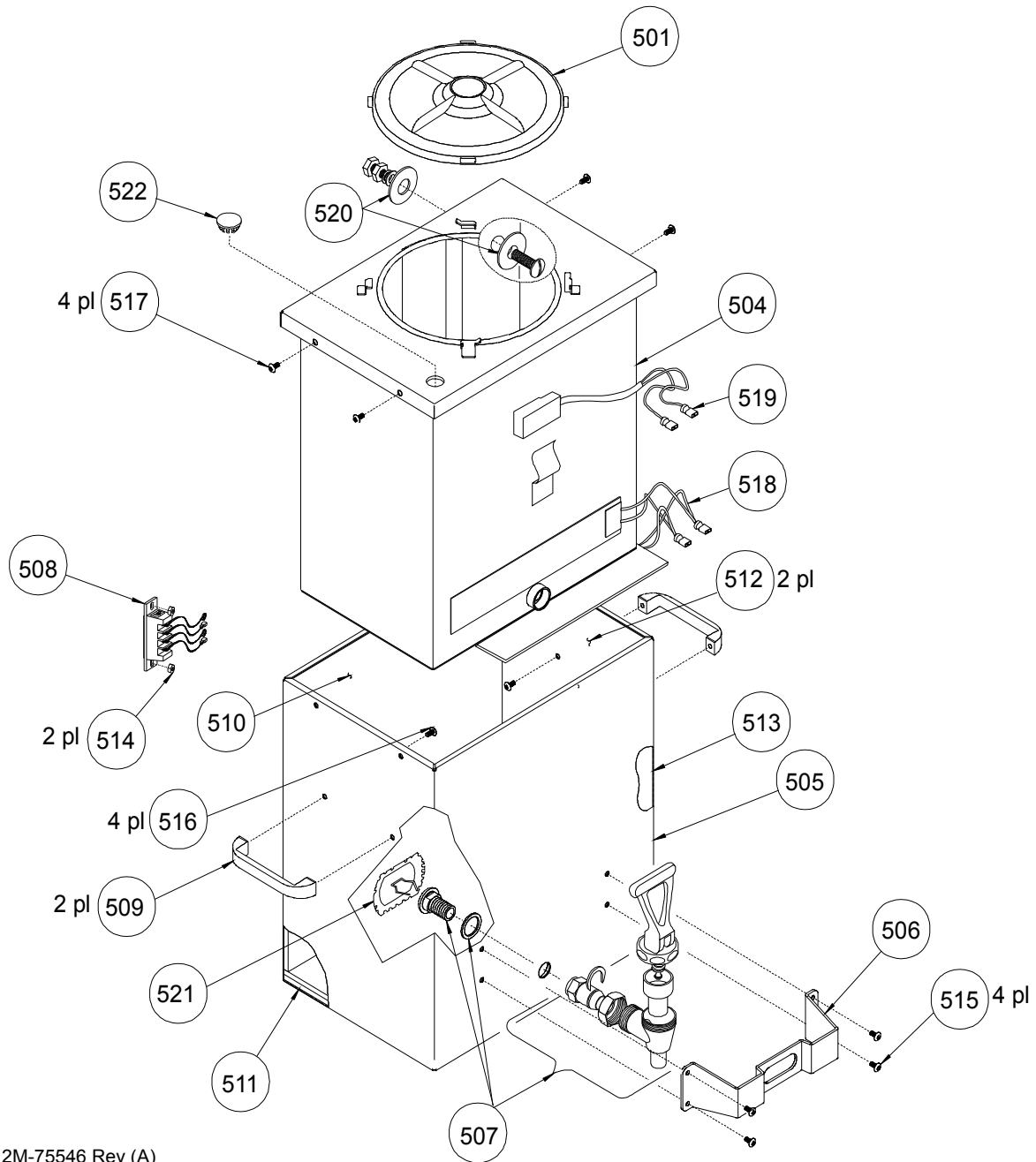
WELLS BLOOMFIELD, LLC
10 Sunnen Dr., St. Louis, MO 63143
telephone: 800-807-9054
fax: 314-781-2714
www.wells-mfg.com

000.706

DT-5
5-GALLON TANK
for use with
WATER-MAX™ WM-TR



EXPLODED VIEW - TANK



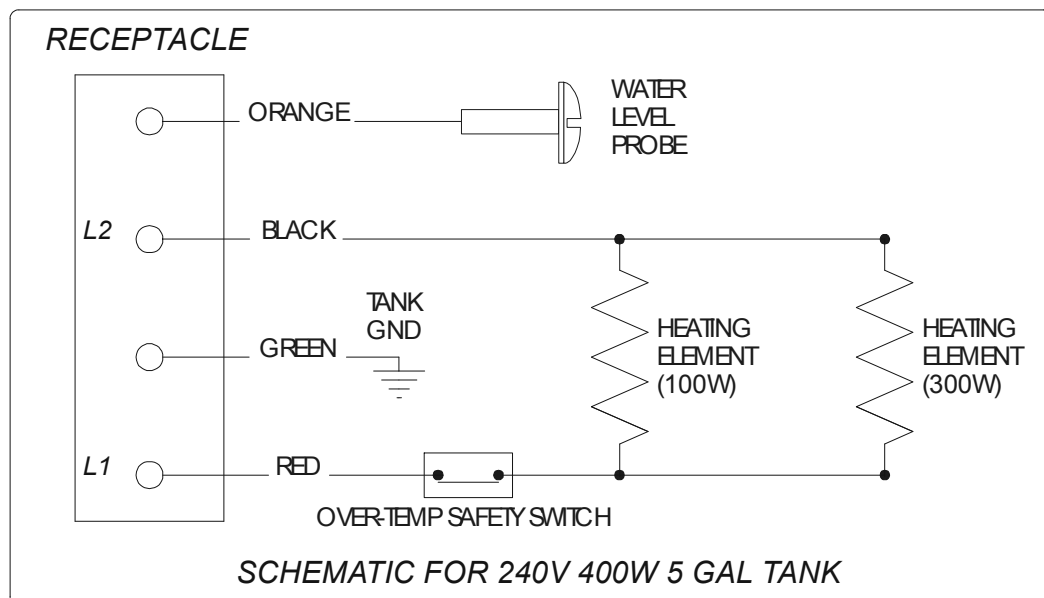
2M-75546 Rev (A)

PARTS LIST - TANK

WATER-MAX™ 5 - GALLON WATER TANK

Fig No	Part No	Description	Qty
501	2L-73863	TANK LID ASSY, SRL-DP	1
504	TANK RESEVOIR ASSY (NOT AVAILABLE SEPARATLEY)		
505		WRAPPER ASSY	1
506	2R-74313	HANDLE FAUCET GUARD	1
507	2U-74686	FAUCET SHANK ASSY RED	1
508	2E-74583	RECEPTACLE WIRED ASSY	1
509	2R-38668	HANDLE	2
510		INSULATION, REAR	1
511	WS-503346	INSULATION, BOTTOM	2
512		INSULATION, SIDE	2
513		INSULATION, FRONT	1
514		NUT, KEP 8-32, SS	2
515		SCREW, 8-32 X /38 BLACK OXIDE	4
516		SCREW, THD CUTTING, SS 10-24 X 1/2	4
517		SCREW, PHL SS 8-32 X 5/16	4
518	DD-74607	HTR ASSEMBLY 5 GAL TANK	1
519	DD-74905	ASSY THERMOSTAT PEPI	1
520	WS-503713	PROBE ASSY, SS AUTOFIL WRMR	1
521	L2-75265	SCREEN ASSY DT5	1
522	DD-75544	PLUG BUTTON 13/16 DIA	1
523	DD-75310	NUT 1/2 NPT POLYSULPHONE	1

WIRING DIAGRAM - TANK





Wells Bloomfield proudly supports CFESA
Commercial Food Equipment Service Association

SERVICE TRAINING - QUALITY SERVICE



CUSTOMER SATISFACTION



WELLS BLOOMFIELD, LLC
10 Sunnen Dr., St. Louis, MO 63143
telephone: 800-807-9054
fax: 314-781-2714
www.wells-mfg.com