



Convection Oven

Owner's Manual



Models

M42004

This manual includes material related to installation, use, cleaning, and care. All available parts list[s], wiring diagrams, or specifications pertaining to the unit covered by this manual are also included.

This manual must be read and understood by all persons using or installing this appliance. Contact your Wells dealer if you have any questions concerning installation, use, or maintenance of this equipment. This manual is for the exclusive use of licensees and employees of McDonald's Corporation as well as employees of Wells Manufacturing.

DO NOT DISCARD THIS MANUAL.



LIMITED EQUIPMENT WARRANTY

Wells Manufacturing warranties new M42004 ovens to be free from defects in material and/or workmanship for a period of three [3] years from the date of original installation, except as noted below. Defects that occur as a result of any normal use or function, within the time period and limitations defined in this warranty, will at Wells' discretion have the parts replaced or repaired by Wells or a Wells-authorized service agency.

THIS WARRANTY IS SUBJECT TO ALL LISTED CONDITIONS.

Repairs performed under this warranty are to be performed by a Wells-authorized service agency. Wells will not be responsible for charges incurred or service performed by non-authorized repair agencies. In all cases, the nearest Wells-authorized service agency must be used.

Wells will be responsible for normal labor charges incurred in the repair or replacement of a warranted product within 50 miles (80.5 km) of an authorized service agency. Time and expense charges for anything beyond that distance will be the responsibility of the owner. All labor will need to be performed during regular service hours. Any overtime premium will be charged to the owner. For all shipments outside the U.S.A. and Canada, please see the International Warranty for specific details.

It is the responsibility of the owner to inspect and report any shipping damage claims, hidden or otherwise, promptly following delivery.

No mileage or travel charges will be honored on any equipment that is deemed portable. In general, equipment with a cord and plug weighing less than 50 lb. (22.7 kg) is considered portable and should be taken or shipped to the closest authorized service agency, transportation prepaid.

CONTACT

Should you require any assistance regarding the operation or maintenance of any Wells equipment; write, phone, fax or email our service department. In all correspondence mention the model number and the serial number of your unit, as well as the voltage or type of gas you are using.

Business hours are 8:00 a.m. to 4:30 p.m. Central Standard Time

Telephone 314.678.6314

Fax 314.781.2714

Email customerservice@star-mfg.com

www.wells-mfg.com

WARRANTY EXCLUSIONS

THE FOLLOWING WILL NOT BE COVERED UNDER WARRANTY.

- Any product which has not been installed, cleaned, maintained, or used in accordance with the directions published in the appropriate installation sheet and/or owner's manual as well as national and local codes, including incorrect gas or electrical connection. Wells is not liable for any unit which has been mishandled, abused, misapplied, subjected to chlorides, harsh chemicals, or caustic cleaners, damaged from exposure to hard water, modified by unauthorized personnel, damaged by flood, fire, or other acts of nature [or God], or which have an altered or missing serial number.
- Installation, labor, and job checkouts, calibration of heat controls, air and gas burner/bypass/pilot adjustments, gas or electrical system checks, voltage and phase conversions, cleaning of equipment, or seasoning of griddle surface.
- Replacement of fuses or resetting of circuit breakers, safety controls, or reset buttons.
- Replacement of broken or damaged glass components, quartz heating elements, and light bulbs.
- Labor charges for all removable parts in gas charbroilers and hotplates, including but not limited to burners, grates, and radiants.
- Any labor charges incurred by delays, waiting time, or operating restrictions that hinder a service technician's ability to perform service.
- Replacement of items subject to normal wear or items that can easily be replaced during a daily cleaning routine, such as but not limited to knobs, bulbs, fuses, quartz heating elements, baskets, racks, and grease drawers.
- Components that should be replaced when damaged or worn, but have been field-repaired instead [eg. field-welded fry pots].
- Any loss of business or profits.

ADDITIONAL WARRANTIES

Specialty/chain specific versions may also have additional and/or extended warranties.

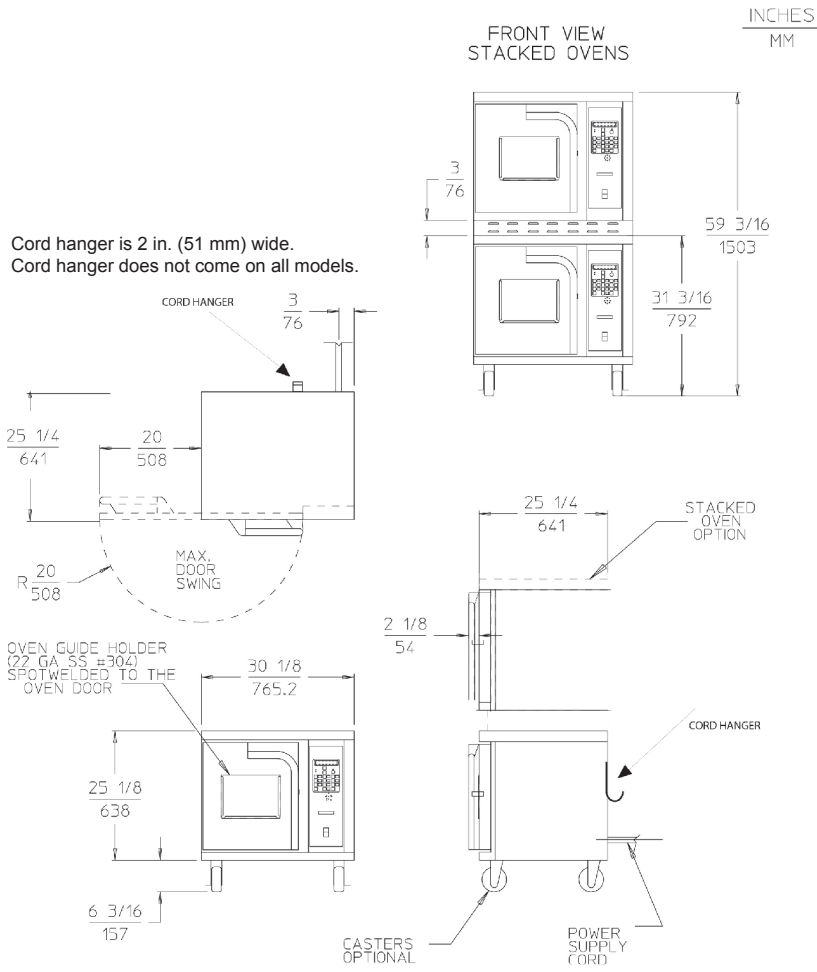
PRODUCTS	PARTS	LABOR
universal ventless hoods	2 years	1 year
canopy hoods	2 years	1 year
"Cook'n Hold" equipment [HW10, HWSMP, LLSC7, LLSC7WA, LLSC11, and LLSC11WA]	2 years	1 year
cast iron grates, burners, and burner shields	1 year	
original Wells parts sold to repair Wells equipment	90 days	
Service First	1 year	

The foregoing warranty is in lieu of any and all other warranties expressed or implied and constitutes the entire warranty.

TABLE OF CONTENTS

Warranty	i
Specifications	iii
General Information	1
Safety Information	2
Installation Information	3
Oven Component Overview	4-5
Cleaning	6-7
Temperature Calibration	8
Troubleshooting	9
Daily Operation	10-11
U.S.A. Market Menu Items	12-14
Canada Market Menu Items	15
208 V and 240 V Single Phase Wiring Diagram	18
208 V and 240 V Three Phase (Delta) Wiring Diagram	19
230 V Three (Wye) Phase Wiring Diagram	20
Hinge Adjustment	21
Exploded Views	22-23
Parts List	24-26
Optional Equipment Setup	27

SPECIFICATIONS



Model Number	W x D x H (height without casters)	Voltage & Phase	Watts	Amps Single Phase	HP	PLUG	Weight (Shipping)
M42004	30-1/8" x 27-1/4" x 25-1/8" 765mm x 692mm x 639mm	208V 1Ø 240V 1Ø	7500 8400	38 37	1/4	varies by model version	253lbs 115kg
Model Number	W x D x H (height without casters)	Voltage & Phase	Watts	Amps Per Line L1 L2 L3	HP	PLUG	Weight (Shipping)
M42004	30-1/8" x 27-1/4" x 25-1/8" 765mm x 692mm x 639mm	208V 3Ø 240V 3Ø 380/415 3Ø	7500 8400 8400	21 21 21 21 21 21 12 12 12	1/4 1/4	varies by model version NONE	253lbs 115kg



E6070 Standard 4

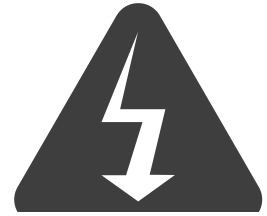
1 Applies to 208/240 V North American models only.

2 Applies to 380/415 V models only.

3 Complies to NSF 4 only if installed and maintained as instructed by this manual.

SAFETY SYMBOLS

These symbols are intended to alert the user to the presence of important operating and maintenance instructions in the manual accompanying the appliance.



THOROUGHLY INSPECT YOUR UNIT ON ARRIVAL

This unit has been tested for proper operation before leaving our plant to ensure delivery of your unit in perfect condition. However, there are instances in which the unit may be damaged in transit. In the event you discover any type of damage to your product upon receipt, you must immediately contact the transportation company who delivered the item to you and initiate your claim with that company. If this procedure is not followed, it may affect the warranty status of the unit. If damage or loss is not apparent until after equipment is unpacked, a request for inspection of concealed damage must be made with carrier within 15 days. Please record the model number, serial number, voltage, and purchase date in the area below at the time of receipt. Do not discard packaging until unit has been inspected for hidden damage and tested for proper operation.

Model Number	_____	Restaurant [Number/Location]	_____
Serial Number	_____	Service Company	_____
Voltage	_____	Technician	_____
Purchase Date	_____	Installation Date	_____

MAINTENANCE AND REPAIRS

Contact your local authorized service agent for service or required maintenance. Please have the information in the above fields ready when you call to ensure a faster service.

Using any part other than genuine Wells factory supplied parts relieves the manufacturer of all liability. Due to periodic changes in designs, methods, procedures, policies, and regulations, the specifications contained in this document are subject to change without notice. Wells reserves the right to change product specifications and design without notice. In regards to previously purchased equipment, such revisions do not entitle the buyer to corresponding changes, improvements, additions or replacements. While Wells Manufacturing exercises good faith efforts to provide information that is accurate, we are not responsible for errors or omissions in information provided or conclusions reached as a result of using the specifications. By using the information provided, the user assumes all risks in connection with such use.

PLEASE REFER TO THE WARRANTY PAGE FOR SPECIFIC WARRANTY INFORMATION.

AUTHORIZED SERVICE AGENT LISTING

Reference the listing provided with the unit or for an updated listing go to the website or call customer service to find an agent.

Business hours: 8:00 a.m. to 4:30 p.m. Central Standard Time

Telephone: 314-678-6314

Fax: 314-781-2714

Email: customerservice@star-mfg.com

Website: www.wells-mfg.com



GENERAL SAFETY INFORMATION

This equipment is designed and sold for commercial use only, and is intended for use by personnel trained and experienced in its operation in order to prepare food for human consumption. This is not sold for consumer use in and around the home nor for use directly by the general public in food service locations.

Before using your new equipment, read and understand all the instructions and labels associated with the unit prior to putting it into operation. Make sure all people associated with its use understand the units operation and safety before they use the unit. If there is visible damage to any component, including the control, the unit should not be used until after the damage has been repaired. Only authorized, qualified technicians should perform repairs on this unit.

Proper cleaning and maintenance of this unit is essential to good sanitation. Read and follow all included cleaning instructions and schedules, as well as any provided by your company, to ensure the safety of the food product and the longevity of the oven.

Use caution, the exposed surfaces of this unit can be hot to the touch and direct contact with skin may cause burns. Allow the oven to cool until it is 150° F (66° C) or less before performing any cleaning procedure.

Do not immerse the unit in water or let the unit stand in water. Do not hose down the unit or use any type of pressure or steam cleaner which would allow excess moisture to come in contact with the oven's electrical components.



GENERAL INSTALLATION INFORMATION

Installation and start up should be performed by an authorized, qualified personnel only and must meet the requirements listed in this manual as well as any national and local codes. The oven will have to be mounted over a non-combustible surface such as concrete, ceramic tile, terrazzo, or metal. The installer is responsible for making certain all codes and other requirements are met.

Carefully remove the oven from its carton, making certain to remove all plastic film as well as any flammable components which have been placed in the oven cavity for shipping purposes. The unit is shipped with three [3] oven racks, two [2] rack supports, and one [1] fan baffle. Make certain these components as well as any optional parts [eg. casters, prep top kit, stacking kit, or vent duct] are present when unpacking the unit. Also make sure to place any components that are packed with the unit in a location where they will not be misplaced or discarded. Depending on the specific version of the unit, it will be shipped with an attached cord or ready to hardwire. In any case, the oven must be connected to an electrical connection adequate for its voltage and amp draw and in accordance with the unit's wiring diagram. If the unit does not properly power on and improper electrical supply is suspected, contact a qualified electrician prior to using the unit. Should you require assistance, contact your local authorized service agent for any service or required maintenance.



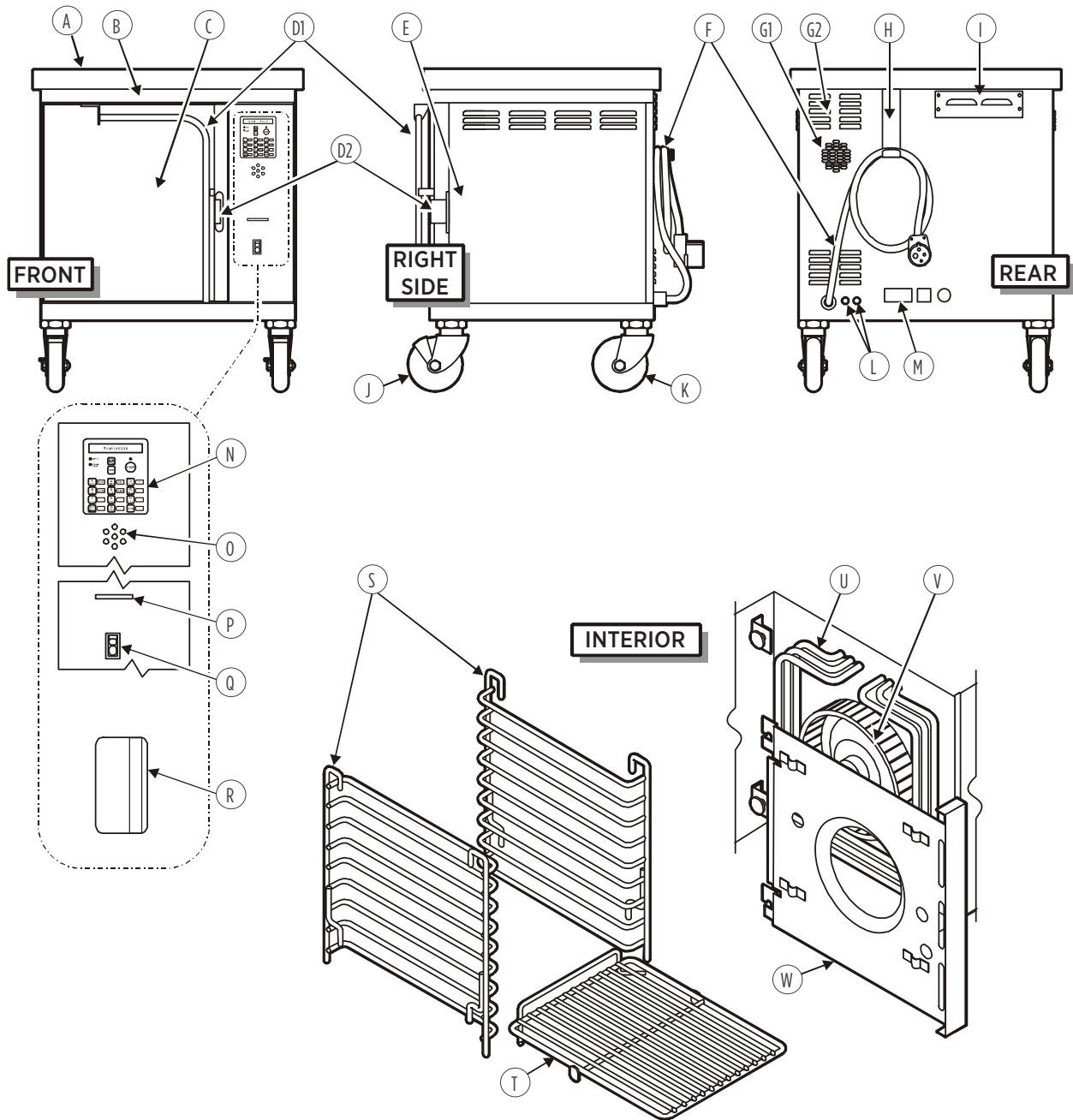
ELECTRICAL CONNECTION

Units that come with a factory attached cord simply need to be connected to a matching receptacle rated for the proper amperage and phase. For units intended to be wired in the field, only a qualified electrician should work on connecting this oven. They should be familiar with electrical installations and all applicable electrical codes. The external wiring should be in conduit or an approved type of flexible cable suitable for operation based on the power requirements of the unit and any local or national codes. The strain relief supplied with the unit is intended for a metal conduit connection. For other types of cords, an alternate strain relief will need to be used. Ensure 3-phase delta units and 3-phase wye units are hooked up properly based on the particular unit's specific wiring requirements, as shown in that unit's wiring diagram. Improper grounding may result in personal injury or fatality. The supply circuit should be properly fused and equipped with a means of disconnecting, as required by local and federal electrical codes. Unless otherwise required, an approved all-pole power disconnect switch, with at least 0.125 in. (3 mm) contact gap is recommended and should be installed in the fixed wiring in an accessible location with close proximity to the appliance. Before any electrical connection is made to this unit, check that the power supply is adequate for the voltage, amperage, and other requirements stated on the nameplate. Make certain to disconnect the unit from the power source before performing any maintenance or service, including installing or removing any parts.



VENTILATION

In order to cook proteins with this oven, a ventilation kit must be used and connected properly based on all local and national requirements.



REF	COMPONENT	ADDITIONAL DETAILS
A	optional prep top	optional add-on accessory that allows the top of the oven to be used as a work surface
B	oven top	covers top insulation [this panel should not be used as a work surface]
C	oven door	front oven cavity access
D1	door handle	insulated handle to allow the door to be safely opened or closed
D2	door striker and latch	holds door securely closed
E	side panel	allows access to interior components during service [excess moisture should be kept away from any opening in the body]
F	power cord	on applicable models only
G1	cooling fan inlet	component cooling fan inlet [excess moisture should be kept away from any opening in the body]
G2	cooling louvers	louvers in side and rear panels allow air to move through the body of the oven to cool components [excess moisture should be kept away from any opening in the body]
H	cord hanger	on applicable models only
I	cavity vent	vent out of oven cavity [vent kit and proper ventilation must be used when cooking proteins]
J	optional front casters	optional add-on accessory locking casters
K	optional rear casters	optional add-on accessory non-locking casters
L	fuses	protection for circuits that run from contactor/relay to power on/off switch
M	nameplate	shows data on model number, voltage, amperage, phase, certification[s], and serial number
N	control board	programmed control board with label and integrated display and speaker
O	speaker grille	front panel location that the speaker sound travels through
P	card reader	allows menu card to be used to reprogram product settings
Q	power on/off switch	used to power the unit on or off
R	menu card	stores product settings to easily and quickly reprogram control to accommodate changes to menu items
S	rack support	supports and locates product racks
T	product rack	supports product trays
U	heating element	energized to provide cooking heat
V	fan	circulates heated air for even temperature distribution
W	fan baffle	covers fan for safety and to direct air around oven cavity

CLEANING



DO NOT USE COARSE SPONGES/PADS WHICH WILL SCRATCH THE FINISH.



DO NOT USE CAUSTIC CLEANERS, DEGREASERS, FLAMMABLE CLEANERS, OR ANY OTHER CLEANER WHICH CAN DAMAGE UNIT'S SURFACE.



DO NOT IMMERSE THE UNIT IN WATER OR LET THE UNIT STAND IN WATER.



ALLOW THE OVEN TO COOL UNTIL IT IS 150° F (66° C) OR LESS BEFORE YOU PERFORM ANY CLEANING PROCEDURE.



DO NOT ALLOW ANY CLEANER OR LIQUID TO COLLECT ON THE TOP OF THE UNIT OR TO ENTER THE OVEN THROUGH THE VENTS ON THE SIDE OR REAR.



DO NOT HOSE DOWN THE UNIT OR USE ANY TYPE OF PRESSURE OR STEAM CLEANER WHICH WOULD ALLOW EXCESS MOISTURE TO COME IN CONTACT WITH THE OVEN'S ELECTRICAL COMPONENTS.

Preventive maintenance consists of the following recommended cleaning procedures. To keep your unit in its best operating condition, these steps should be performed on a regular basis as required. The cooking area must be kept clean for the unit to function properly.

DAILY CLEANING

RECOMMENDED SUPPLIES

soft cloths

clean water

PROCEDURE

- i. Use caution, as the oven will still be hot at this point. With the oven powered on, open the door.
- ii. Press the "UTILITY" key. The display will now read "FAST COOL MODE" at this point.
- iii. Press the "START" key. The display will now read "COOL DOWN" and the fan will start. Use caution at this point as the fan will be on. At no point should you attempt to reach into the oven while the fan is running.
- iv. When the oven has cooled down, flip the power switch to the "OFF" position. At this point, unplug the unit or turn off the main power supply to the unit, depending on how the unit is connected, in order to prevent accidentally powering the unit on during cleaning.
- v. Wipe the interior of the oven and door thoroughly with a clean, soft cloth dampened with clean water.
- vi. Next, wipe the interior of the oven and door thoroughly with a clean, soft, dry cloth.
- vii. Wipe the exterior, including the control panel, with a clean, soft, dry cloth. Do not use a damp cloth on the control or on any exterior panel that will allow moisture to enter the oven body or come into contact with any electrical components.

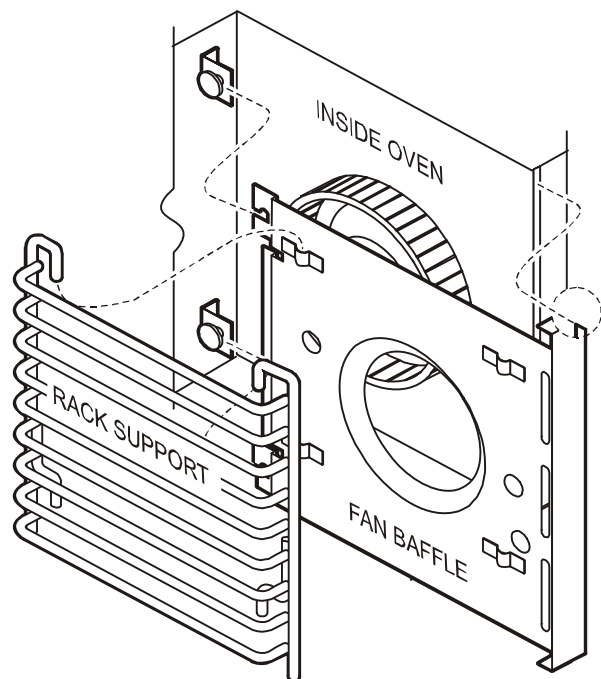
MONTHLY CLEANING

RECOMMENDED SUPPLIES

soft cloths
clean water
sanitizer
mild detergent
non-scuff scouring pad
non-solvent all purpose cleaner

PROCEDURE

- i. Use caution, as the oven will still be hot at this point. With the oven powered on, open the door.
- ii. Press the “UTILITY” key. The display will now read “FAST COOL MODE” at this point.
- iii. Press the “START” key. The display will now read “COOL DOWN” and the fan will start. Use caution at this point as the fan will be on. At no point should you attempt to reach into the oven while the fan is running.
- iv. When the oven has cooled down, flip the power switch to the “OFF” position. At this point, unplug the unit or turn off the main power supply to the unit, depending on how the unit is connected, in order to prevent accidentally powering the unit on during cleaning.
- v. Carefully remove the racks, rack supports, and fan baffle from the oven, noting how each component was removed.
- vi. Using a damp cloth, carefully wipe down the fan wheel. Use caution as the fan blades are sharp. Use a soft sponge to remove all loose particles.
- vii. Use a non-scuff scouring pad and a non-solvent all purpose cleaner to clean the oven cavity.
- viii. Next, wipe the whole interior of the oven thoroughly with a clean, soft cloth dampened with clean water.
- ix. Wipe the interior of the oven and door thoroughly with a clean, soft cloth and sanitizer.
- x. Clean the oven racks and rack supports in a sink or dishwasher using mild detergent.
- xi. Wipe the fan baffle thoroughly with a clean, soft cloth dampened with clean water.
- xii. Wipe the fan baffle thoroughly with a clean, soft cloth and sanitizer.
- xiii. Carefully reinstall the fan baffle making sure not to damage the fan baffle or fan blades. Make certain the baffle is correctly aligned with tabs on the left and fully seated in the slot in the rear, right of the oven cavity.
- xiv. Reapply power to the unit and power the unit on briefly to ensure the fan works properly and does not



TEMPERATURE CALIBRATION



THIS PROCEDURE SHOULD BE PERFORMED MONTHLY BY AUTHORIZED PERSONNEL ONLY.



USE CAUTION, AS THE OVEN WILL BE HOT DURING OPERATION AND MAY CAUSE SEVERE BURNS IF NOT CAREFUL.



PRESSING “CANCEL” AT ANY POINT DURING THIS CALIBRATION PROCEDURE WILL BACK OUT OF THE CURRENT SCREEN AND WILL NOT SAVE OR IMPLEMENT ANY CHANGES MADE SINCE THE LAST SAVE/UPDATE.

RECOMMENDED SUPPLIES

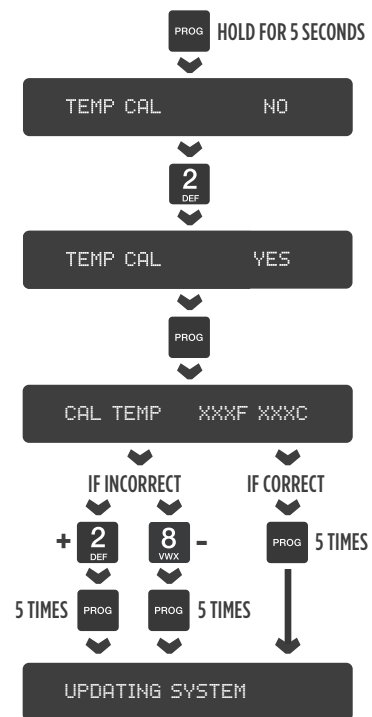
calibrated digital thermometer with oven probe

SETUP

- i. Verify the unit is plugged in [where applicable] and that the unit has power.
- ii. With the unit cool and off, open the door and securely clamp the probe to the center of the middle rack.
- iii. Run the wires from the probe between the door gasket segments on the right and close the door. Plug the wire lead into the thermometer.
- iv. Turn the power switch on and wait 30 minutes for the unit to heat up and the temperature to stabilize. Do not activate any bake cycle or cooking timer during, simply leave the oven on its default setting.

CALIBRATION

- i. Enter programming mode by holding the “PROG” button for 5 seconds.
- ii. The screen will now read “TEMP CAL”. Use the “2” button to change the “NO” on the screen to “YES”.
- iii. Press the “PROG” button again and the “CAL TEMP” screen will display, showing the current temperature of the oven in Fahrenheit and Celsius.
- iv. Check the temperature shown on the display versus the one indicated on the thermometer connected to the oven probe. Temperature will need to be within 3° F (1° C) to be correctly calibrated. If it is correct, continue to step “vi” below.
- v. If the calibration is not correct, press the “2” button to raise the temperature and the “8” button to lower it until it matches the thermometer reading. Once it matches, continue to the next step.
- vi. Press the “PROG” button 5 times until the screen reads “UPDATING SYSTEM” at which point the calibration is complete.
- vii. Press the “CANCEL” button to exit programming mode and return to normal operation.



TROUBLESHOOTING



THIS UNIT IS NOT USER SERVICEABLE. NO PERSONNEL OTHER THAN AN AUTHORIZED TECHNICIAN SHOULD ATTEMPT TO MAKE REPAIRS OR SERVICE THIS UNIT.

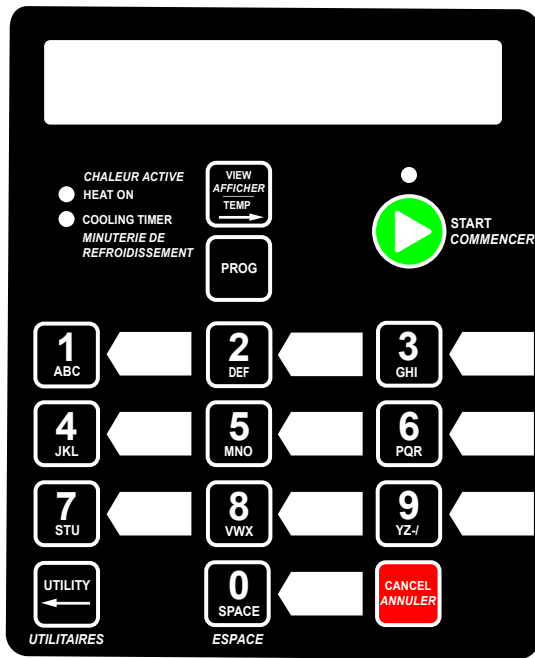


REMOVAL OF ANY BODY PANEL OR FUSE PRESENTS THE POSSIBILITY OF ELECTROCUTION AND SHOULD NOT BE PERFORMED WHILE THE UNIT IS CONNECTED TO ITS POWER SOURCE. THE UNIT SHOULD BE UNPLUGGED OR DISCONNECTED BEFORE ANY SERVICE IS ATTEMPTED.



IN THE CASE OF ANY PERCEIVED OR SUSPECTED DAMAGE TO ELECTRICAL WIRING OR CONNECTION, ALWAYS CONTACT AN AUTHORIZED TECHNICIAN/ELECTRICIAN IMMEDIATELY.

SYMPTOM	POSSIBLE CAUSE	POSSIBLE SOLUTIONS / TROUBLESHOOTING STEPS
no power to unit	circuit breaker off or tripped	reset circuit breaker if tripped or off
	power cord unplugged or damaged	carefully plug in the cord if unplugged [on applicable models] or use caution and visually inspect the wiring
	fuse blown or loose	check fuses on the rear of the unit and correct problem by securing or replacing fuse[s] if necessary
oven will not heat	power to the unit is off	turn the power on and check for normal operation
	oven door is not closed/sealed	close oven door and if not sealed attempt to adjust door and latch to secure and seal door properly
	high limit has been tripped due to excessive temperature	allow the oven to cool so the high limit can reset, then check for normal operation
	malfunctioning control unit	contact authorized service agent to diagnose and make repairs
	malfunctioning heating element	contact authorized service agent to diagnose and make repairs
blower fan will not run	oven door not closed	close oven door and check for normal operation
	damage to internal components	contact authorized service agent to diagnose and make repairs
door pops open during cook cycle or is leaking air thorough seal	latch is out of adjustment	tighten door latch screws and check door adjustment
	door is out of adjustment	adjust door and check to make sure latch screws are tight
product not baking properly	incorrect temperature calibration	perform calibration procedure
	incorrect product programming	correct product programming based on applicable product menu chart
ERROR CODES		
error code <HTR ERROR> displayed at start-up	a fault has been detected in one of the heating elements	contact authorized service agent to diagnose and make repairs
error code <MTR ERROR> displayed at start-up	a fault has been detected in the fan motor	contact authorized service agent to diagnose and make repairs



DAILY OPERATION

THIS PROCEDURE SHOULD BE PERFORMED MONTHLY BY AUTHORIZED PERSONNEL ONLY.

USE CAUTION, SOME SURFACES ARE EXTREMELY HOT DURING OPERATION AND CARE SHOULD BE TAKEN WHILE USING THIS UNIT. ONLY TOUCH THE DOOR BY THE HANDLE DURING OPERATION AND ALWAYS USE AN APPROPRIATE PROTECTIVE MITT WHEN PLACING ITEMS INTO, OR REMOVING ITEMS FROM, THE OVEN.

DO NOT REACH INTO THE OVEN CAVITY WHEN THE UNIT IS RUNNING AS THE FAN BLADES ARE VERY SHARP.

MAKE CERTAIN TO READ ALL INSTRUCTIONS AND WARNINGS CONTAINED WITHIN THIS MANUAL IN FULL, PRIOR TO USE.

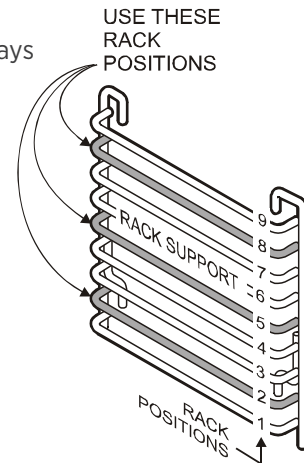
DAILY SETUP

- i. With the power supply connected, turn the power switch to the on position. The control panel will beep twice and the display will flash the Wells name.
- ii. By default, the “1” button will be selected when starting up the oven, meaning the oven will target the temperature and run the fan at the speed associated with the first bake stage of that product. In this case, “FULL BISCUIT” is the product set to the “1” button, which mean the temperature will be set at 375° F (190° C).
- iii. The display will read “TOO COOL” until the temperature reaches the set point, 375° F (190° C) in the case of this product. The “HEAT ON” light will be illuminated continuously until the oven reaches its set point, and will also illuminate intermittently as the oven maintains temperature. The actual temperature and set point can be viewed by holding the “VIEW/TEMP” button for 5 seconds.
- iv. The display will show that the product is “READY” once the oven reaches the set point.

COOK CYCLE

- i. Once the oven has come up to operating temperature, slide trays onto the appropriate rack supports. The oven is set to accommodate up to three [3] trays and to operate properly, the product trays must be set in specific locations.

NUMBER OF PRODUCT TRAYS	RACK POSITIONS TO USE
1	5
2	2 and 8
3	2, 5, and 8



- ii. Close the door once the trays are correctly loaded and immediately press the appropriate product button once. If there is only one partial tray [eg. 1/2 or 1/4 tray], quickly press the appropriate product button a second time.
- iii. The display will now show the product and cook time [eg. "BISCUITS 3:00"]. Press the "START" button at this point to begin cooking and start the timer. If the system sits on a product selection without pressing the "START" button for 5 seconds, the oven will return to the "READY" status.
- iv. If it is necessary to interrupt the cook cycle, it can be done temporarily by opening the door, which will pause the cook timer. The timer will resume the countdown once the door has been closed. Be aware, leaving the door open for any significant amount of time will lower the oven temperature and may negatively affect the quality of the cooked product. To completely cancel the cook cycle and return to the "READY" status, simply hold the "CANCEL" button for 5 seconds.
- v. At the end of the cook cycle, a continuous tone will sound and a "REMOVE" message will appear on the display. Opening the door will stop the tone. Always use an appropriate oven mitt when removing product from the oven. Product should be removed as soon as safely possible after the cook cycle has finished to avoid overcooking, unless otherwise instructed. Do not leave the oven door open after removing product tray[s].
- vi. Products with an enabled cooling timer should remain on trays until the cooling timer has finished counting down. Otherwise be careful of hot trays and product and follow instructions provided by McDonald's pertaining to handling product.

CORE MARKET [U.S.A.]

BUTTON #	PRODUCT "DISPLAYED NAME"	MCDONALD'S PRODUCT FACTORY DEFAULT SETTINGS								SCALE FACTORS		
		ENABLED	CANCEL	NUMBER OF STAGES	COOK TIME	COOK TEMP	M4200-4 FAN SPEED	COOLING TIMER	COOLING TIME	FACTOR	VALUE	TIME
BUTTON 1	FULL BISCUIT	ENABLED	CANCEL	NUMBER OF STAGES	COOK TIME	COOK TEMP	M4200-4 FAN SPEED	COOLING TIMER	COOLING TIME	FACTOR	VALUE	TIME
	BASE TIME 5 MINUTES	YES	A/M MANUAL	1	05:00	375 F / 190 C	HIGH	NO	10:00	1	00000	120S
										2	00000	120S
										3	00000	120S
										4	00000	120S
										5	00000	120S
BUTTON 2	COOKIES	ENABLED	CANCEL	NUMBER OF STAGES	COOK TIME	COOK TEMP	FAN SPEED	COOLING TIMER	COOLING TIME	FACTOR	VALUE	TIME
	BASE TIME 2 MINUTES	YES	A/M MANUAL	1	02:00	375 F / 190 C	HIGH	NO	10:00	1	00000	060S
										2	00000	060S
										3	00000	060S
										4	00000	060S
										5	00000	060S
BUTTON 3	FULL PIES	ENABLED	CANCEL	NUMBER OF STAGES	COOK TIME	COOK TEMP	FAN SPEED	COOLING TIMER	COOLING TIME	FACTOR	VALUE	TIME
	BASE TIME 12 MINUTES	YES	A/M MANUAL	1	12:00	375 F / 190 C	HIGH	NO	10:00	1	00000	120S
										2	00000	120S
										3	00000	120S
										4	00000	120S
										5	00000	120S
BUTTON 4	PARTIALBISCUIT	ENABLED	CANCEL	NUMBER OF STAGES	COOK TIME	COOK TEMP	FAN SPEED	COOLING TIMER	COOLING TIME	FACTOR	VALUE	TIME
	BASE TIME 3:30 MINUTES	YES	A/M MANUAL	1	03:30	375 F / 190 C	HIGH	NO	10:00	1	00000	120S
										2	00000	120S
										3	00000	120S
										4	00000	120S
										5	00000	120S
BUTTON 5	McGRIDDLES	ENABLED	CANCEL	NUMBER OF STAGES	COOK TIME	COOK TEMP	FAN SPEED	COOLING TIMER	COOLING TIME	FACTOR	VALUE	TIME
	BASE TIME 7 MINUTES	YES	A/M MANUAL	1	07:00	375 F / 190 C	HIGH	NO	10:00	1	00000	120S
										2	00000	120S
										3	00000	120S
										4	00000	120S
										5	00000	120S
BUTTON 6	PARTIAL PIES	ENABLED	CANCEL	NUMBER OF STAGES	COOK TIME	COOK TEMP	FAN SPEED	COOLING TIMER	COOLING TIME	FACTOR	VALUE	TIME
	BASE TIME 10 MINUTES	YES	A/M MANUAL	1	10:00	375 F / 190 C	HIGH	NO	10:00	1	00000	120S
										2	00000	120S
										3	00000	120S
										4	00000	120S
										5	00000	120S
BUTTON 7	LTO	ENABLED	CANCEL	NUMBER OF STAGES	COOK TIME	COOK TEMP	FAN SPEED	COOLING TIMER	COOLING TIME	FACTOR	VALUE	TIME
	BASE TIME 0 MINUTES	NO	A/M MANUAL	1	00:00	375 F / 190 C	HIGH	NO	10:00	1	00000	120S
										2	00000	120S
										3	00000	120S
										4	00000	120S
										5	00000	120S
BUTTON 8	LTO	ENABLED	CANCEL	NUMBER OF STAGES	COOK TIME	COOK TEMP	FAN SPEED	COOLING TIMER	COOLING TIME	FACTOR	VALUE	TIME
	BASE TIME 0 MINUTES	NO	A/M MANUAL	1	00:00	375 F / 190 C	HIGH	NO	10:00	1	00000	120S
										2	00000	120S
										3	00000	120S
										4	00000	120S
										5	00000	120S
BUTTON 9	LTO	ENABLED	CANCEL	NUMBER OF STAGES	COOK TIME	COOK TEMP	FAN SPEED	COOLING TIMER	COOLING TIME	FACTOR	VALUE	TIME
	BASE TIME 0 MINUTES	NO	A/M MANUAL	1	00:00	375 F / 190 C	HIGH	NO	10:00	1	00000	120S
										2	00000	120S
										3	00000	120S
										4	00000	120S
										5	00000	120S
BUTTON 0	LTO	ENABLED	CANCEL	NUMBER OF STAGES	COOK TIME	COOK TEMP	FAN SPEED	COOLING TIMER	COOLING TIME	FACTOR	VALUE	TIME
	BASE TIME 0 MINUTES	NO	A/M MANUAL	1	00:00	375 F / 190 C	HIGH	NO	10:00	1	00000	120S
										2	00000	120S
										3	00000	120S
										4	00000	120S
										5	00000	120S

SCRATCH BISCUIT MARKET [U.S.A.]

BUTTON #	PRODUCT "DISPLAYED NAME"	McDONALD'S PRODUCT FACTORY DEFAULT SETTINGS								SCALE FACTORS		
		ENABLED	CANCEL	NUMBER OF STAGES	COOK TIME	COOK TEMP	M4200-4 FAN SPEED	COOLING TIMER	COOLING TIME	FACTOR	VALUE	TIME
BUTTON 1	FULL BISCUITS	ENABLED	CANCEL	NUMBER OF STAGES	COOK TIME	COOK TEMP	M4200-4 FAN SPEED	COOLING TIMER	COOLING TIME	FACTOR	VALUE	TIME
	BASE TIME 11:30 MINUTES	YES	A/M MANUAL	1	11:30	375 F / 190 C	HIGH	NO	10:00	1	00050	060S
										2	00030	120S
										3	00000	120S
										4	00000	120S
										5	00000	120S
BUTTON 2	COOKIES	ENABLED	CANCEL	NUMBER OF STAGES	COOK TIME	COOK TEMP	FAN SPEED	COOLING TIMER	COOLING TIME	FACTOR	VALUE	TIME
	BASE TIME 2 MINUTES	YES	A/M MANUAL	1	02:00	375 F / 190 C	HIGH	NO	10:00	1	00000	060S
										2	00000	060S
										3	00000	060S
										4	00000	060S
										5	00000	060S
BUTTON 3	FULL PIES	ENABLED	CANCEL	NUMBER OF STAGES	COOK TIME	COOK TEMP	FAN SPEED	COOLING TIMER	COOLING TIME	FACTOR	VALUE	TIME
	BASE TIME 12 MINUTES	YES	A/M MANUAL	1	12:00	375 F / 190 C	HIGH	NO	10:00	1	00000	120S
										2	00000	120S
										3	00000	120S
										4	00000	120S
										5	00000	120S
BUTTON 4	PARTIALBISCU	ENABLED	CANCEL	NUMBER OF STAGES	COOK TIME	COOK TEMP	FAN SPEED	COOLING TIMER	COOLING TIME	FACTOR	VALUE	TIME
	BASE TIME 9:30 MINUTES	YES	A/M MANUAL	1	09:30	375 F / 190 C	HIGH	NO	10:00	1	00000	120S
										2	00000	120S
										3	00000	120S
										4	00000	120S
										5	00000	120S
BUTTON 5	McGRIDDLES	ENABLED	CANCEL	NUMBER OF STAGES	COOK TIME	COOK TEMP	FAN SPEED	COOLING TIMER	COOLING TIME	FACTOR	VALUE	TIME
	BASE TIME 7 MINUTES	YES	A/M MANUAL	1	07:00	375 F / 190 C	HIGH	NO	10:00	1	00000	120S
										2	00000	120S
										3	00000	120S
										4	00000	120S
										5	00000	120S
BUTTON 6	PARTIAL PIES	ENABLED	CANCEL	NUMBER OF STAGES	COOK TIME	COOK TEMP	FAN SPEED	COOLING TIMER	COOLING TIME	FACTOR	VALUE	TIME
	BASE TIME 10 MINUTES	YES	A/M MANUAL	1	10:00	375 F / 190 C	HIGH	NO	10:00	1	00000	120S
										2	00000	120S
										3	00000	120S
										4	00000	120S
										5	00000	120S

LTO [U.S.A.]

BUTTON #	PRODUCT "DISPLAYED NAME"	McDONALD'S PRODUCT FACTORY DEFAULT SETTINGS								SCALE FACTORS		
		ENABLED	CANCEL	BAKE STAGES	COOK TIME	COOK TEMP	FAN SPEED	COOLING TIMER	COOLING TIME	FACTOR	VALUE	TIME
LTO MARKET CHOICE	MOZZ STICKS	ENABLED	CANCEL	BAKE STAGES	COOK TIME	COOK TEMP	FAN SPEED	COOLING TIMER	COOLING TIME	1	00000	120S
	BASE TIME 5 MINUTES	YES	A/M MANUAL	1	05:00	375 F / 190 C	HIGH	NO	10:00	2	00000	120S
										3	00000	120S
										4	00000	120S
										5	00000	120S
LTO MARKET CHOICE	COFFEE CAKES	ENABLED	CANCEL	BAKE STAGES	COOK TIME	COOK TEMP	FAN SPEED	COOLING TIMER	COOLING TIME	1	00000	120S
	BASE TIME 12 MINUTES	YES	A/M MANUAL	1	08:00	375 F / 190 C	HIGH	NO	10:00	2	00000	120S
										3	00000	120S
										4	00000	120S
										5	00000	120S

MUFFINS [U.S.A.]

Your oven must have been purchased after January 2015 or have been upgraded with upgrade kit number SF-MSB-KIT to have the capability for muffin baking.

BUTTON #	PRODUCT "DISPLAYED NAME"	McDONALD'S PRODUCT FACTORY DEFAULT SETTINGS								SCALE FACTORS		
		ENABLED	CANCEL	BAKE STAGES	COOK TIME	COOK TEMP	FAN SPEED	COOLING TIMER	COOLING TIME	FACTOR	VALUE	TIME
LTO MARKET CHOICE	MUFFINS	ENABLED	CANCEL	BAKE STAGES	COOK TIME	COOK TEMP	FAN SPEED	COOLING TIMER	COOLING TIME	1	00000	120S
	BASE TIME 47 MINUTES	YES	A/M MANUAL	3	00:30	380 F / 193 C	LOW	NO	10:00	2	00000	120S
					20:00	305F / 152 C	LOW/HTR			3	00000	120S
										4	00000	120S
					26:30	320F / 160 C	LOW			5	00000	120S

NOTES

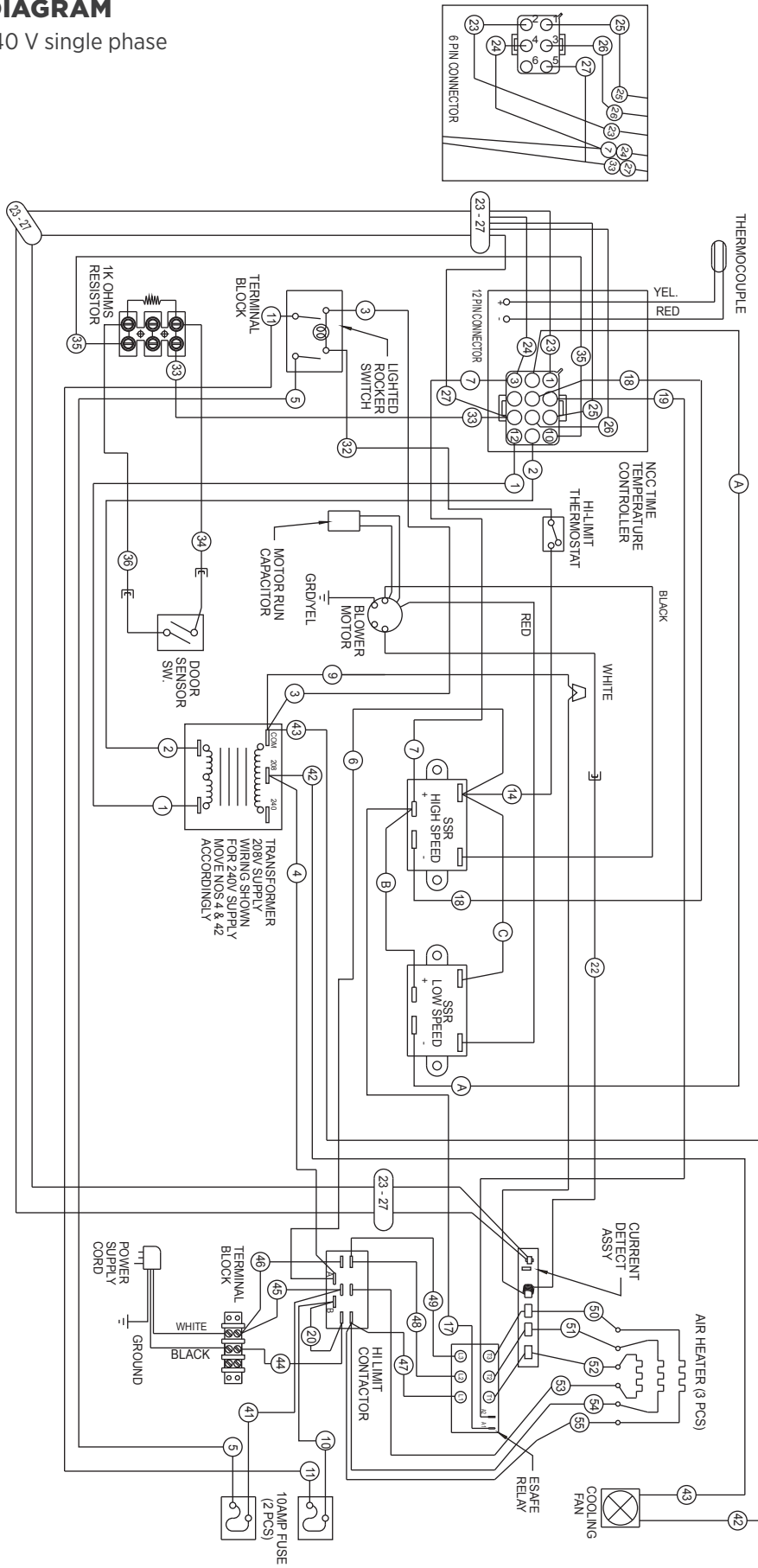
CORE MARKET [CANADA]

BUTTON # BOUTON #	PRODUCT "DISPLAYED NAME" PRODUIT "NOM AFFICHÉ"	MCDONALD'S PRODUCT FACTORY DEFAULT SETTINGS MCDONALD'S PRODUIT PARAMÈTRE D'USINE								SCALE FACTORS ÉLÉMENTS DE GAMME		
		ENABLED	CANCEL	NUMBER OF STAGES	COOK TIME	COOK TEMP	FAN SPEED	COOLING TIMER	COOLING TIME	SFACTOR	VALUE	TIME
BUTTON 1 BOUTON 1	FULL BISCUIT	ENABLED	CANCEL	NUMBER OF STAGES	COOK TIME	COOK TEMP	FAN SPEED	COOLING TIMER	COOLING TIME	SFACTOR	VALUE	TIME
	BASE TIME 5:00 MINUTES	YES	A/M MANUAL	1	5:00	375 F / 190 C	HIGH	NO	10:00	1	0	120
										2	0	120
										3	0	120
										4	0	120
										5	0	120
BUTTON 2 BOUTON 2	NEW BAGEL	ENABLED	CANCEL	NUMBER OF STAGES	COOK TIME	COOK TEMP	FAN SPEED	COOLING TIMER	COOLING TIME	SFACTOR	VALUE	TIME
	BASE TIME 4:30 MINUTES	YES	A/M MANUAL	1	4:30	400 F / 204 C	LOW	NO	10:00	1	0	60
										2	0	60
										3	0	60
										4	0	60
										5	0	60
BUTTON 3 BOUTON 3	PIES	ENABLED	CANCEL	NUMBER OF STAGES	COOK TIME	COOK TEMP	FAN SPEED	COOLING TIMER	COOLING TIME	SFACTOR	VALUE	TIME
	BASE TIME 13:00 MINUTES	YES	A/M MANUAL	1 2 3	0:05 7:55 5:00	375 F / 190 C 400 F / 204 C 350 F / 177 C	HIGH HIGH LOW	NO	10:00	1	0	120
										2	0	120
										3	0	120
										4	0	120
										5	0	120
BUTTON 4 BOUTON 4	COOKIES	ENABLED	CANCEL	NUMBER OF STAGES	COOK TIME	COOK TEMP	FAN SPEED	COOLING TIMER	COOLING TIME	SFACTOR	VALUE	TIME
	BASE TIME 2:00 MINUTES	YES	A/M MANUAL	1	2:00	375 F / 190 C	HIGH	NO	10:00	1	0	120
										2	0	120
										3	0	120
										4	0	120
										5	0	120
BUTTON 5 BOUTON 5	MCGRIDDLERS	ENABLED	CANCEL	NUMBER OF STAGES	COOK TIME	COOK TEMP	FAN SPEED	COOLING TIMER	COOLING TIME	SFACTOR	VALUE	TIME
	BASE TIME 6:00 MINUTES	YES	A/M MANUAL	1	6:00	375 F / 190 C	HIGH	NO	10:00	1	0	120
										2	0	120
										3	0	120
										4	0	120
										5	0	120
BUTTON 6 BOUTON 6	MUFFINS	ENABLED	CANCEL	NUMBER OF STAGES	COOK TIME	COOK TEMP	FAN SPEED	COOLING TIMER	COOLING TIME	SFACTOR	VALUE	TIME
	BASE TIME 48:00 MINUTES	YES	A/M MANUAL	1 2 3	0:30 22:00 25:30	380 F / 193 C 305 F / 152 C 320 F / 160 C	LOW LOW LOW	NO	10:00	1	0	120
										2	0	120
										3	0	120
										4	0	120
										5	0	120
BUTTON 7 BOUTON 7	PASTRIES	ENABLED	CANCEL	NUMBER OF STAGES	COOK TIME	COOK TEMP	FAN SPEED	COOLING TIMER	COOLING TIME	SFACTOR	VALUE	TIME
	BASE TIME 19:55 MINUTES	YES	A/M MANUAL	1 2 3	0:10 6:30 13:15	375 F / 190 C 250 F / 121 C 350 F / 177 C	LOW LOW LOW	NO	10:00	1	0	120
										2	0	120
										3	0	120
										4	0	120
										5	0	120
BUTTON 8 BOUTON 8	CURRENTBAGEL	ENABLED	CANCEL	NUMBER OF STAGES	COOK TIME	COOK TEMP	FAN SPEED	COOLING TIMER	COOLING TIME	SFACTOR	VALUE	TIME
	BASE TIME 5:00 MINUTES	YES	A/M MANUAL	1 2	0:20 4:40	375 F / 190 C 350 F / 177 C	LOW LOW	NO	10:00	1	0	120
										2	0	120
										3	0	120
										4	0	120
										5	0	120
BUTTON 9 BOUTON 9	LTO	ENABLED	CANCEL	NUMBER OF STAGES	COOK TIME	COOK TEMP	FAN SPEED	COOLING TIMER	COOLING TIME	SFACTOR	VALUE	TIME
	BASE TIME 0:00 MINUTES	NO	A/M MANUAL	1	0:00	375 F / 190 C	HIGH	NO	10:00	1	0	120
										2	0	120
										3	0	120
										4	0	120
										5	0	120
BUTTON 0 BOUTON 0	LTO	ENABLED	CANCEL	NUMBER OF STAGES	COOK TIME	COOK TEMP	FAN SPEED	COOLING TIMER	COOLING TIME	SFACTOR	VALUE	TIME
	BASE TIME 0:00 MINUTES	NO	A/M MANUAL	1	0:00	375 F / 190 C	HIGH	NO	10:00	1	0	120
										2	0	120
										3	0	120
										4	0	120
										5	0	120

NOTES

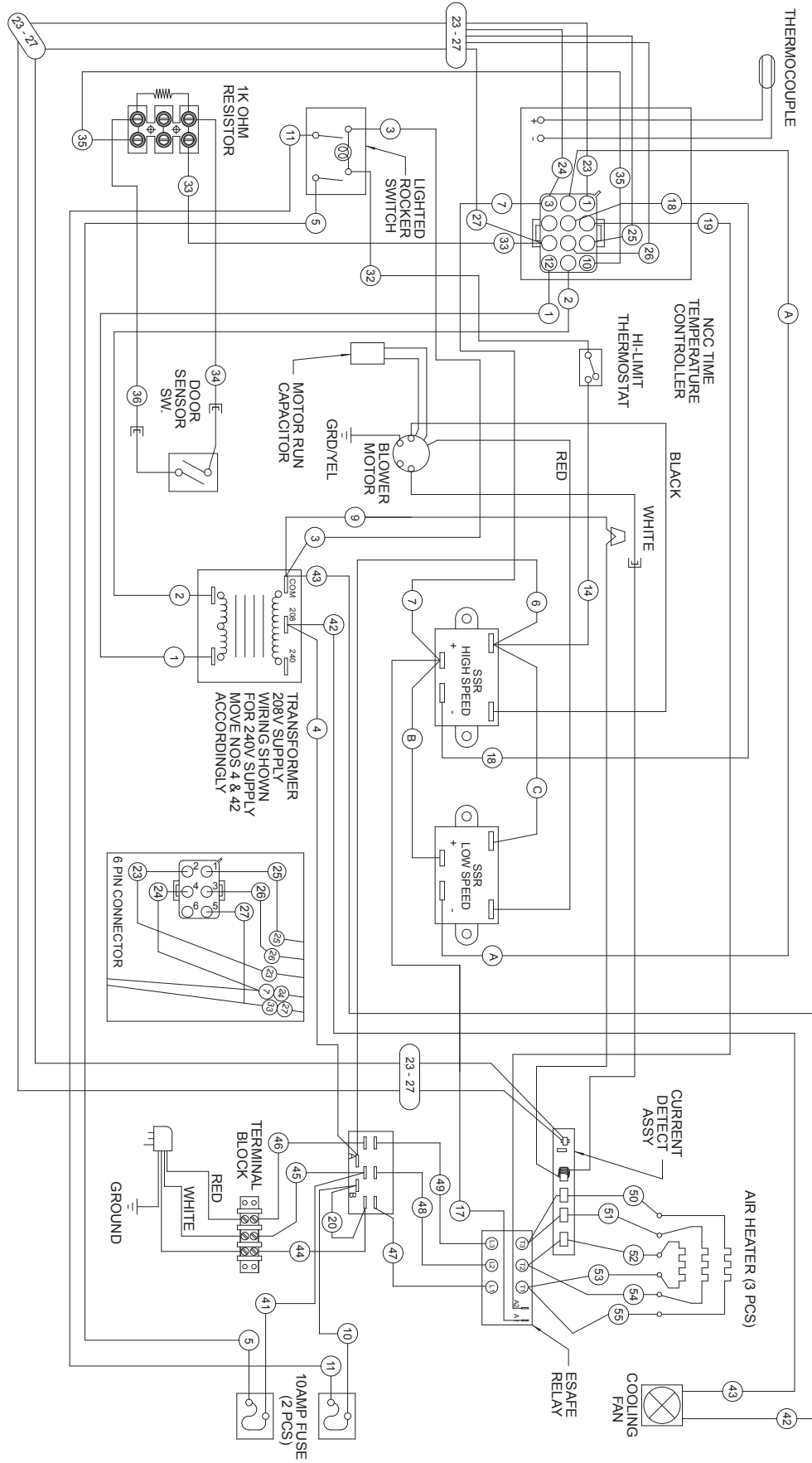
WIRING DIAGRAM

208 V and 240 V single phase



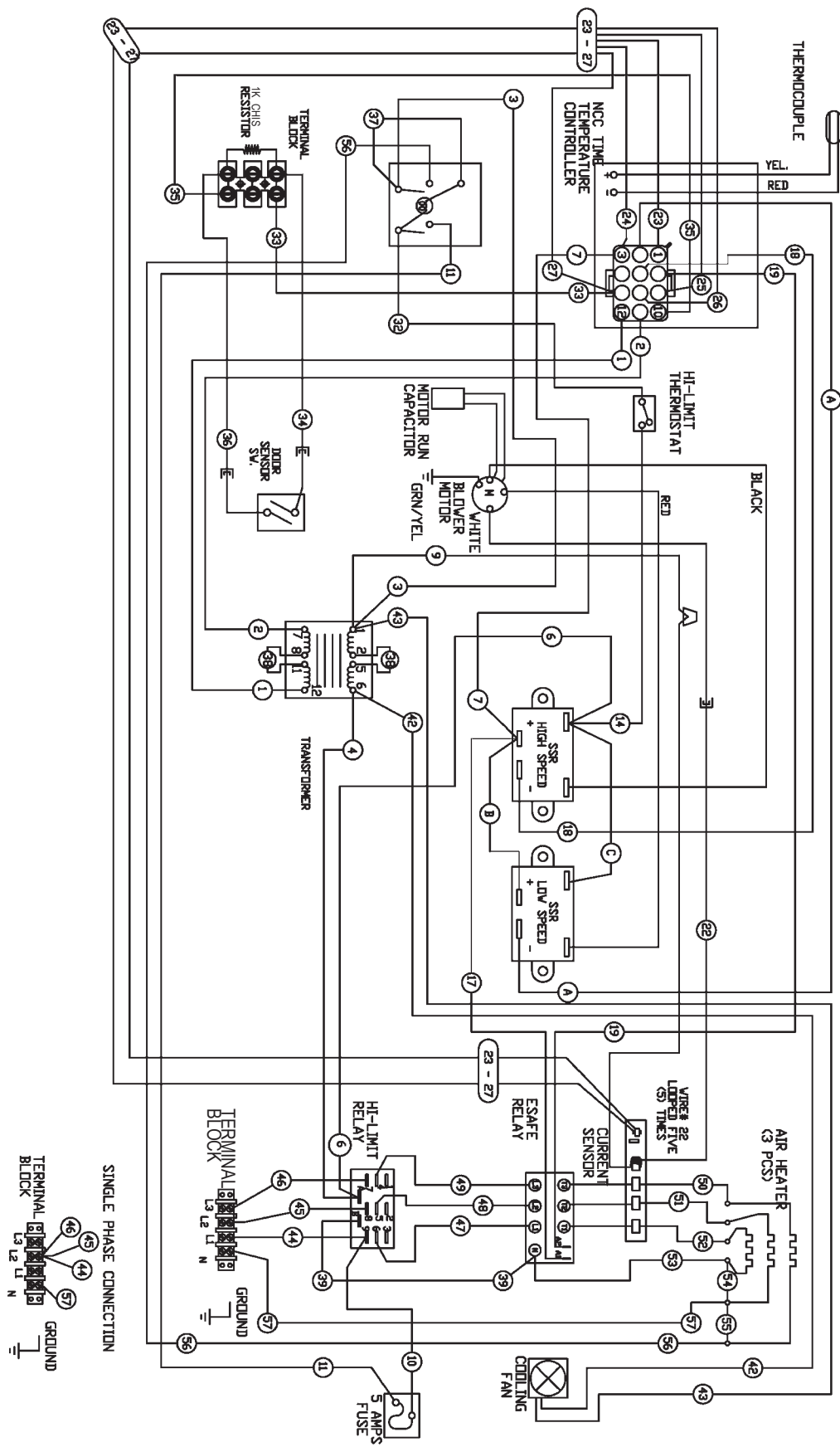
WIRING DIAGRAM

208 V and 240 V three phase [delta]



WIRING DIAGRAM

230 V three phase [wye]



HINGE ADJUSTMENT

ALLOW THE UNIT TO COOL COMPLETELY BEFORE PERFORMING ADJUSTMENT PROCEDURE.

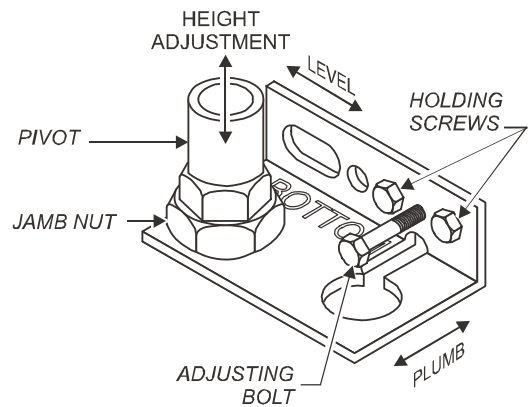
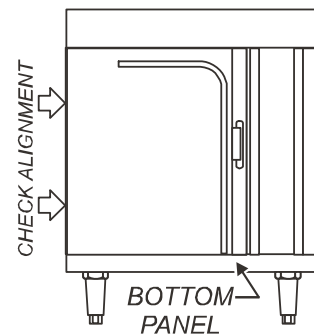
TOOLS REQUIRED

- i. Phillips screwdriver
- ii. 7/16 in. nut driver
- iii. 7/8 in. open end wrench
- iv. 1-1/8 in. open end wrench
- v. tape measure or other measuring device [optional]

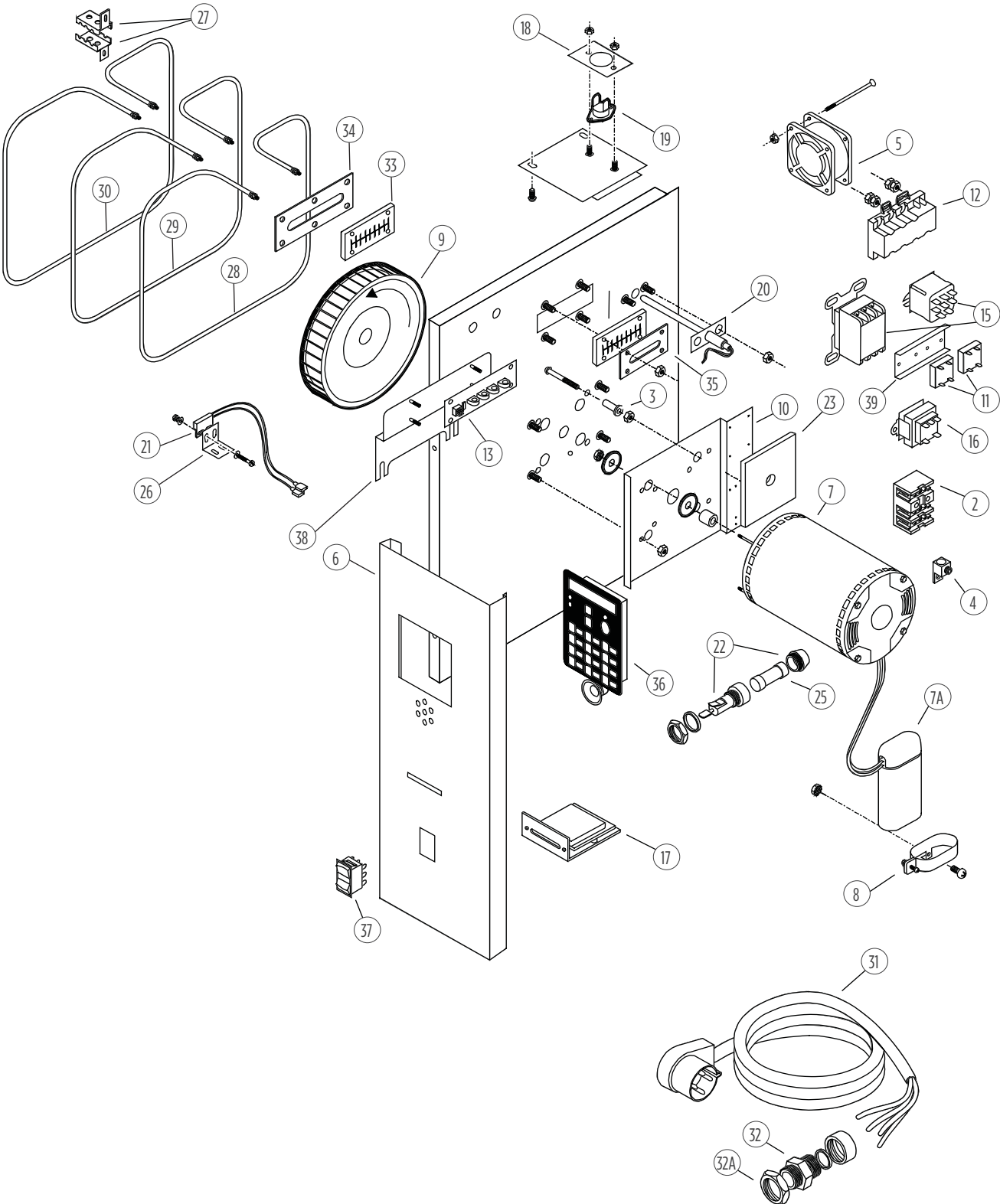
ADJUSTMENT PROCEDURE

This procedure should only be performed by qualified personnel only. The door can be adjusted on the lower left in order to affect its level, plumb, and height relative to the frame.

- i. Begin by checking the door to determine what adjustments need to be made.
- ii. Remove the lower, front trim.
- iii. If the gaps between the top and the bottom of the door relative to the frame are not approximately equal, the height will need to be adjusted. Begin by loosening jamb nut, then turn the shaft clockwise to lower the door and counterclockwise to raise the door. Adjust until the door is level, then tighten the jamb nut when finished.
- iv. Looking at the left side of the oven, if the gap between the door and the frame is not equal at the top and bottom of the door, the plumb of the door will need to be adjusted. Begin adjusting the door by loosening the holding screws on either side of the adjusting bolt. Next, turn the adjusting bolt to clockwise to increase the gap or counterclockwise to decrease the gap at bottom of the door. Once the bottom gap is equal to the top, tighten the holding screws back in place.
- v. If the gap between the top of door and the frame is not even from side to side, the level of the door will require adjustment. In order to adjust, loosen the holding screws, then raise or lower right [latch] side of door until it is level. Tighten the holding screws once the door is level.
- vi. Once all adjustments are made, replace the front, lower trim.



EXPLODED VIEW



PARTS LIST

REF NO	PART NUMBER	MODEL	DESCRIPTION	QTY	PAGE NO
1	F6-304607	All	cavity assembly (not serviceable)	1	23
2	2E-75309	All 208 V and 240 V	3-pole terminal block	1	22
	2E-40310	230 V [3 Φ wye]	4-pole terminal block		
3	2A-45199	All	blower motor spacer	4	22
4	2C-307288	All 208 V and 240 V	solderless ground lug	4	22
		230 V [3 Φ wye]		1	
5	2U-44687	All	cooling fan	1	22
6	F6-215736	All	control mounting panel	1	22, 23
7	2U-213533	All	motor with capacitor [serviced as kit WS-63932]	1	22
7A	WS-63932	All	capacitor [service kit]	1	22
8	2V-300933	All	capacitor bracket	2	22
9	2U-43797	All	blower wheel	1	22
10	F6-307326	All	motor mount bracket	1	22, 23
11	2E-304615	All	solid state relay	2	22
12	2E-306967	All 208 V and 240 V	e-safe relay	1	22
	2E-306967A	230 V [3 Φ wye]			
13	2E-306976	All	current detector	1	22
14	2K-31040	All	0.875 in. heyco bushing	2	23
15	2E-214960	All 208 V and 240 V [1 Φ]	contactor	1	22
	2E-307328	240 V [3 Φ delta] and 230 V [3 Φ wye]	relay	1	22
16	2E-25741	All 208 V and 240 V	transformer	1	22
	2E-303286	230 V [3 Φ wye]			
17	2E-306977	All	card reader	1	22
18	F6-45668	All 208 V and 240 V	hold-down bracket for high-limit thermostat	1	22, 23
19	2T-45180	All 208 V and 240 V	high-limit thermostat	1	22
20	2J-304580	All	probe thermocouple	1	22
21	F6-45239	All	proximity switch	1	22
22	2E-34769	All 208 V and 240 V	fuseholder	2	22
	2E-73795W	230 V [3 Φ wye]		1	
23	2H-305520	All	motor insulation	1	22, 23
24	F6-304609	All	frame assembly [not serviceable]	1	23
25	2E-34768	All 208 V and 240 V	10 A fuse	2	22
	2E-73794W	230 V [3 Φ wye]	5 A fuse	1	
26	F6-43787	All	proximity switch bracket	1	22, 23
27	F6-43829	All	element bracket	6	22
28	2N-43872UL	All 208 V	inner heating element [4 in. (102 mm) gap]	1	22
	2N-43783UL	All 230 V and 240 V			
29	2N-43866UL	All 208 V	center heating element [2.5 in. (64 mm) gap]	1	22
	2N-43800UL	All 230 V and 240 V			
30	2N-43873UL	All 208 V	outer heating element [1 in. (25 mm) gap]	1	22
	2N-43949UL	All 230 V and 240 V			

REF NO	PART NUMBER	MODEL	DESCRIPTION	QTY	PAGE NO
31	F6-WL0306	M42004-2081A M42004-2401A	cordset assembly	1	22
	F6-WL0734	M42004-2081B M42004-2401B			
	F6-WL0736	M42004-2081C M42004-2401C			
	F6-WL0733	M42004-2083A M42004-2403A			
	F6-WL0735	M42004-2083B M42004-2403B			
	2E-45177	M42004-2083C M42004-2403C			
32	2K-48754	All 208 V and 240 V	strain relief bushing	1	22
	2K-300102	230 V [3 Φ wye]			
32A	2C-45504	All 208 V and 240 V	strain relief nut only	1	22
33	2I-43834	All	element gasket	2	22
34	F6-43836	All	element gasket inner cover	1	22
35	F6-43837	All	element gasket outer cover	1	22
36	2J-Z21861	U.S.A. menu models	control board	1	22
	2J-Z22527	Canada menu models			
37	2E-305295	All 208 V and 240 V	on/off power switch	1	22
	2E-306824	230 V [3 Φ wye]			
38	F6-304717	All	current detector bracket	1	22
39	F6-Z20016	All	solid state relay mounting bracket	1	22
40	2M-306719	All	Wells badge	1	23
41	2C-31038	All	tinnerman clip	3	23
42	F6-45015	All	cavity support bracket	2	23
43	F6-43876	All	affle support assembly	2	23
44	F6-304608	All	temperature sensor mount	1	23
45	F6-46519	All	door cover gasket	4	23
46	F6-43889	All	rack support clip	8	23
47	2R-305612	All	handle assembly	1	23
48	F6-304652	All	complete door assembly	1	23
49	F6-46313	All	door side gasket	2	23
50	F6-46314	All	door upper/lower gasket	2	23
51	F6-43788	All	oven top panel	1	23
52	F6-43827	All 1 Φ M42004-2083C M42004-2403C	cord hanger	1	23
53	F6-49626	All	side panel	2	23
54	2A-43900	All	door hinge sleeve	1	23
55	F6-45647	All	proximity switch guard	1	23
56	2C-305616	All	latch striker	1	23

REF NO	PART NUMBER	MODEL	DESCRIPTION	QTY	PAGE NO
57	2C-305615	All	latch assembly	1	23
58	2K-305619	All	upper door hinge bushing	1	23
59	2A-305610	All	door hinge pin	2	23
60	F6-43896	All	bottom door hinge assembly	1	23
61	F6-305510	All	rear panel	1	23
62	F6-305511	All	vent coupler assembly	1	23
63	F6-43804	All	lower, front trim	1	23
64	F6-43899	All	door pivot plate	1	23
65	2C-44363	All	3/4-10 jam nut	1	23
66	F6-305523	All	biscuit plate adapter	1	23
67	F6-44504	All	oven baffle	1	23
68	2B-50200-34	All	product rack	3	23
69	2B-43785	All	rack support	2	23
70	2C-35492	All	#8-32 x 0.5 in. screw	2	23
OPTIONAL ACCESSORIES [AVAILABLE AT ADDITIONAL COST]					
REF NO	PART NUMBER	APPLICABLE MODEL[S]	DESCRIPTION	QTY REQUIRED PER OVEN [OR STACKED PAIR OF OVENS]	
A	WS-22829	All	6 in. (152 mm) leg set [contains 2 legs]	2	
B	WS-21330	All	full caster set [contains B1 and B2]	1	
B1	WS-21373		locking caster [2 quantity for front of unit]	1	
B2	WS-21372		swivel caster [2 quantity for rear of unit]	1	
C	WS-21445	All	prep top kit [includes hardware]	1	
D	WS-505504	All	vent kit [for use with proteins, for single oven]	1	
NOT PICTURED					
E	DD-22882	All	stacking kit	1	

OPTIONAL EQUIPMENT SETUP



ALLOW THE UNIT TO COOL COMPLETELY BEFORE PERFORMING ANY SERVICE OR MAINTENANCE.



MAKE CERTAIN THE OVEN IS PROPERLY SUPPORTED DURING ANY INSTALLATION WHICH REQUIRES THE OVEN TO BE RAISED OFF ITS BASE OR TO SIT ON ITS SIDE SO THE BASE MAY BE EASILY ACCESSED.



SERVICE/INSTALLATION PROCEDURES SHOULD BE PERFORMED BY AUTHORIZED TECHNICIANS ONLY.



THE OVEN SHOULD BE DISCONNECTED FROM POWER BEFORE ANY SERVICE PROCEDURE.

CASTER KIT [WS-21330]

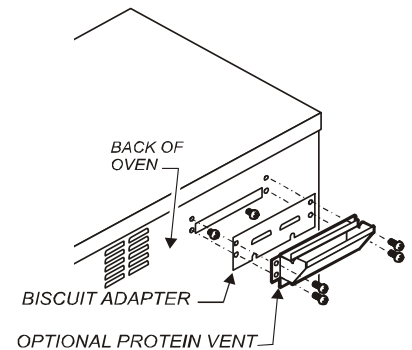
- i. Reposition the oven so that the bottom can be easily and safely accessed.
- ii. Install the casters into the oven. The locking casters have to go in the front two [2] positions.
The non-locking casters go in the back two [2] positions.
- iii. Set the unit upright, on the casters, and move the unit to its desired destination.
- iv. Check that the unit is level from side to side as well as front to back and make adjustments to the casters as necessary.

LEG KIT [WS-22829]

- i. Reposition the oven so that the bottom can be easily and safely accessed.
- ii. Adjust the legs to be approximately the same height and install the legs into the oven.
- iii. Set the unit upright, on the legs, and move the unit to its desired destination.
- iv. Check that the unit is level from side to side as well as front to back and make adjustments to the legs as necessary.

VENT KIT [WS-505504]

- i. Remove the two [2] screws holding the top of the vent plate on the rear, left of the oven.
- ii. Loosen, but do not remove, the lower two [2] screws and remove the vent plate.
- iii. Slide the lower flange of the vent kit adapter over the two [2] loosened screws.
- iv. Place the two [2] top screws back in place and tighten all four [4] screws.
- v. Attach the vent adapter to an appropriate ventilation system based on all codes and regulations pertaining to the installation location.



PREP TOP KIT [WS-21445]

- i. Attach the four [4] mounting brackets to the prep top with the four [4] supplied mounting screws. Snug the screws, but do not fully tighten.
- ii. Remove the four [4] screws that attach the oven top panel.
- iii. Carefully place the prep top over the top of the oven and place the four [4] screws that were removed from the oven top panel through the bracket holes, then thread them into their original positions.
- iv. Making certain the prep top is level, tighten all eight [8] screws.

