



WELLS MANUFACTURING
 10 Sunnen Dr., St. Louis, MO 63143
 telephone: 314-678-6314
 fax: 314-781-2714
 www.wellsbloomfield.com

OWNERS MANUAL

HALF-SIZE CONVECTION OVEN

MODELS

OC1

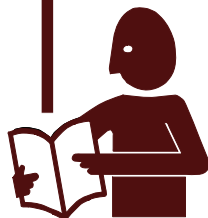


OC1

Includes
INSTALLATION
USE & CARE
EXPLODED VIEW
PARTS LIST
WIRING DIAGRAM

IMPORTANT: DO NOT DISCARD THIS MANUAL

This manual is considered to be part of the appliance and is to be given to the OWNER or MANAGER of the restaurant, or to the person responsible for TRAINING OPERATORS of this appliance. Additional manuals are available from your WELLS DEALER.



THIS MANUAL MUST BE READ AND UNDERSTOOD BY ALL PERSONS USING OR INSTALLING THIS APPLIANCE. Contact your WELLS DEALER if you have any questions concerning installation, operation or maintenance of this equipment.

LIMITED WARRANTY STATEMENT

Unless otherwise specified, all commercial cooking equipment manufactured by Wells Manufacturing is warranted against defects in materials and workmanship for a period of one year from the date of original installation or 18 months from the date of shipment from our factory, whichever comes first, and is for the benefit of the original purchaser only.

THIS WARRANTY IS THE COMPLETE AND ONLY WARRANTY, EXPRESSED OR IMPLIED IN LAW OR IN FACT, INCLUDING BUT NOT LIMITED TO, WARRANTIES OF MERCHANTABILITY OR FITNESS FOR ANY PARTICULAR PURPOSE, AND/OR FOR DIRECT, INDIRECT OR CONSEQUENTIAL DAMAGES IN CONNECTION WITH WELLS BLOOMFIELD PRODUCTS. This warranty is void if it is determined that, upon inspection by an authorized service agency, the equipment has been modified, misused, misapplied, improperly installed, or damaged in transit or by fire, flood or act of God. It also does not apply if the serial nameplate has been removed, or if service is performed by unauthorized personnel. The prices charged

by Wells Manufacturing for its products are based upon the limitations in this warranty. Seller's obligation under this warranty is limited to the repair of defects without charge by a Wells Manufacturing factory authorized service agency or one of its sub-service agencies. This service will be provided on customer's premises for non-portable models. Portable models (a device with a cord and plug) must be taken or shipped to the closest authorized service agency, transportation charges prepaid, for service. In addition to restrictions contained in this warranty, specific limitations are shown in the Service Policy and Procedure Guide. Wells Manufacturing authorized service agencies are located in principal cities. This warranty is valid in the United States and Canada and void elsewhere. Please consult your classified telephone directory, your foodservice equipment dealer or contact:

Wells Manufacturing
10 Sunnen Dr., St. Louis MO 63143 USA
phone (314) 678-6314 or fax (314) 781-2714

for information and other details concerning warranty.

SERVICE POLICY AND PROCEDURE GUIDE and ADDITIONAL WARRANTY EXCLUSIONS

1. Resetting of safety thermostats, circuit breakers, over load protectors, and/or fuse replacements are not covered by this warranty unless warranted conditions are the cause.
2. All problems due to operation at voltages or phase other than specified on equipment nameplates are not covered by this warranty. Conversion to correct voltage and/or phase must be the customer's responsibility.
3. All problems due to electrical connections not made in accordance with electrical code requirements and wiring diagrams supplied with the equipment are not covered by this warranty.
4. Replacement of items subject to normal wear, to include such items as knobs, light bulbs; and, normal maintenance functions including adjustments of thermostats, adjustment of micro switches and replacement of fuses and indicating lights are not covered by warranty.
5. Damage to electrical cords and/or plug due to exposure to excessive heat are not covered by this warranty.
6. Full use, care, and maintenance instructions supplied with each machine. Noted maintenance and preventative maintenance items, such as servicing and cleaning schedules, are customer responsibility. Those miscellaneous adjustments noted are customer responsibility. Proper attention to preventative maintenance and scheduled maintenance procedures will prolong the life of the appliance.
7. Travel mileage is limited to sixty (60) miles from an Authorized Service Agency or one of its sub-service agencies.
8. All labor shall be performed during regular working hours. Overtime premium will be charged to the buyer.
9. All genuine Wells replacement parts are warranted for ninety (90) days from date of purchase on non-warranty equipment. This parts warranty is limited only to replacement of the defective part(s). Any use of non-genuine Wells parts completely voids any warranty.
10. Installation, labor, and job check-outs are not considered warranty and are thus not covered by this warranty.
11. Charges incurred by delays, waiting time or operating restrictions that hinder the service technician's ability to perform service are not covered by warranty. This includes institutional and correctional facilities.

SHIPPING DAMAGE CLAIM PROCEDURE

NOTE: For your protection, please note that equipment in this shipment was carefully inspected and packaged by skilled personnel before leaving the factory. Upon acceptance of this shipment, the transportation company assumes full responsibility for its safe delivery.

IF SHIPMENT ARRIVES DAMAGED:

1. **VISIBLE LOSS OR DAMAGE:** Be certain that any visible loss or damage is noted on the freight bill or express receipt, and that the note of loss or damage is signed by the delivery person.
2. **FILE CLAIM FOR DAMAGE IMMEDIATELY:** Regardless of the extent of the damage.
3. **CONCEALED LOSS OR DAMAGE:** if damage is unnoticed until the merchandise is unpacked, notify the transportation company or carrier immediately, and file "CONCEALED DAMAGE" claim with them. This should be done within fifteen (15) days from the date the delivery was made to you. Be sure to retain the container for inspection.

Wells Manufacturing cannot assume liability for damage or loss incurred in transit. We will, however, at your request, supply you with the necessary documents to support your claim.

TABLE OF CONTENTS

WARRANTY	xi
SPECIFICATIONS	1
FEATURES & OPERATING CONTROLS	2
PRECAUTIONS & GENERAL INFORMATION	4
INSTALLATION	5
AGENCY APPROVAL INFORMATION	5
OPERATION	8
COOKING SUGGESTIONS	10
CLEANING INSTRUCTIONS	11
TROUBLESHOOTING SUGGESTIONS	13
PREVENTATIVE MAINTENANCE	14
EXPLODED VIEW & PARTS LIST	16
WIRING DIAGRAM	21
PARTS & SERVICE	25
CUSTOMER SERVICE DATA	25

INTRODUCTION

Thank You for purchasing this Wells Manufacturing appliance.

Proper installation, professional operation and consistent maintenance of this appliance will ensure that it gives you the very best performance and a long, economical service life.

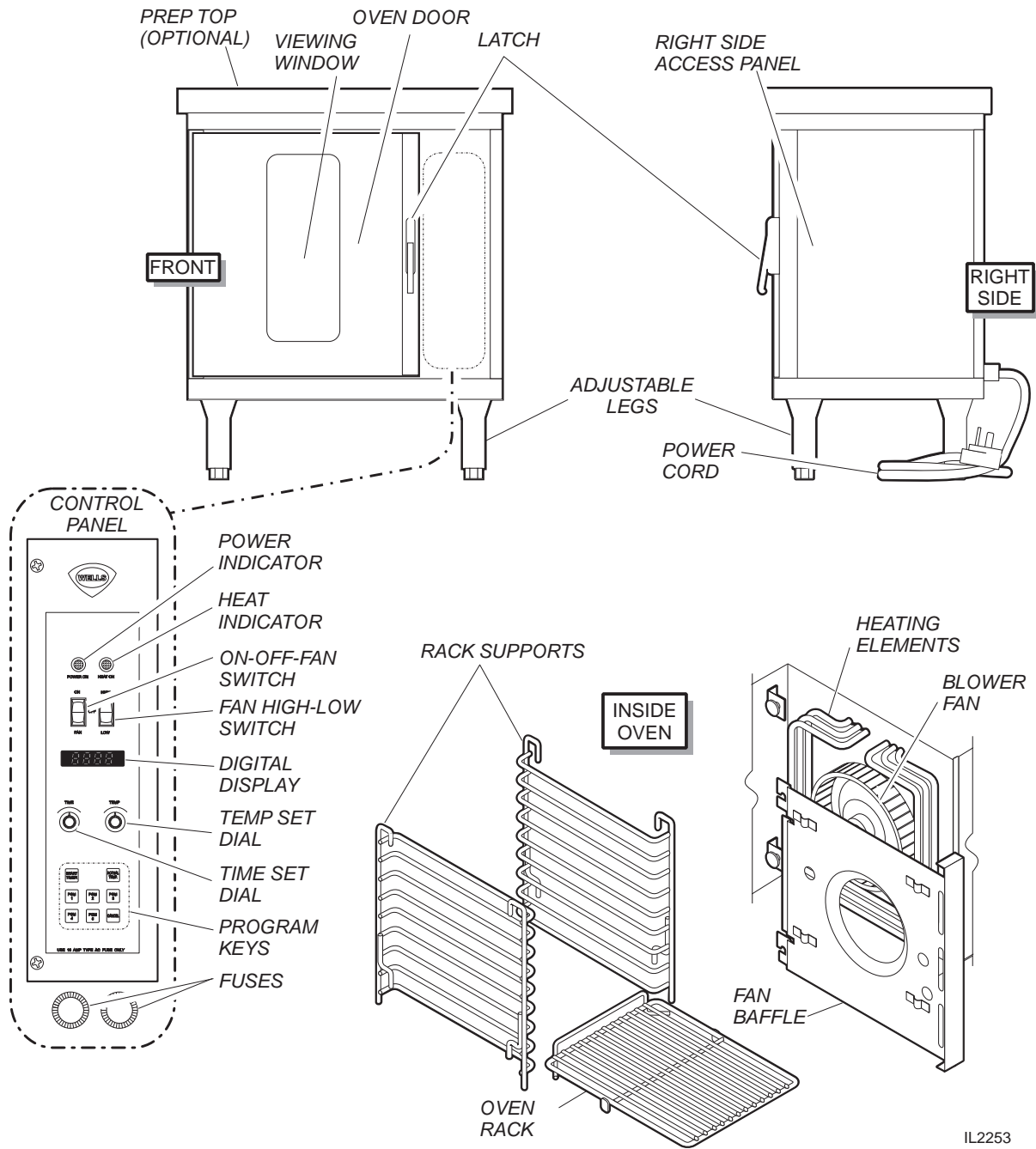
This manual contains the information needed to properly install this appliance, and to use and care for the appliance in a manner which will ensure its optimum performance.

SPECIFICATIONS

SPECIFICATIONS									
MODEL	VOLTS	WATTS			AMPS PER LEG 3 ϕ			AMPS 1 ϕ	POWER SUPPLY CORD
		OVEN	HOTPLATES	TOTAL	L1	L2	L3		
OC1	208 1 ϕ	5000	NONE	5000				24	NEMA 6-30P
	240 1 ϕ	5600	NONE	5600				24	

DIMENSIONS					
HEIGHT	WIDTH	DEPTH	DOOR SWING	REQUIRED CLEARANCES	
30-1/4" (768mm) plus 6" (152mm) legs or casters	30-1/4" (768mm)	26-1/4" (641mm) plus 1-13/16" (46mm) handle	21" (635mm) radius	Bottom	6" (152mm)
				Front	21" (533mm)
				Top	n/a
				Back	3" (76mm)
				Sides	3" (76mm)

FEATURES & OPERATING CONTROLS



IL2253

Fig. 1 Features & Operating Controls

FEATURES & OPERATING CONTROLS (continued)

FEATURES & OPERATING CONTROLS

OVEN POWER SWITCH (ON-OFF-FAN):

1. ON position (with door closed). POWER ON indicator will glow, blower fan will come on and unit will start to heat.
NOTE: In the ON position, if the door is opened, blower fan is turned off and heating elements are de-energized.
2. FAN position. Blower fan will run (regardless of door position). Heating elements are not energized.
SUGGESTION: For faster cool-down, prop door open and place power switch in FAN position.
3. OFF position shuts off power and blower fan.

OVEN FAN SPEED SWITCH (HIGH-LOW):

1. HIGH for normal operation.
2. LOW for foods sensitive to air currents.
3. OFF position shuts off blower fan

TIME ADJUSTMENT KNOB:

Used to program menu times (See *PROGRAM COOK MODE*, page 9.)

TEMP ADJUSTMENT KNOB

Used to program menu temperatures (See *PROGRAM COOK MODE*, page 9.)

DIGITAL DISPLAY

1. Displays set temperature or set time.
2. Displays temperature inside oven when ACTUAL TEMP key is pressed.
3. Displays set time and temperature of individual menu items when the associated PGM key is pressed
4. Displays time and temperature settings in programming mode.

START TIMER KEY

Begins a cook cycle.

PROGRAM KEYS

Five different pre-set time/temperature combinations for preparing different menu items.

CANCEL KEY

1. Press at any time to cancel a cook cycle.
2. Press at the end of a cook cycle to silence the audible alarm.

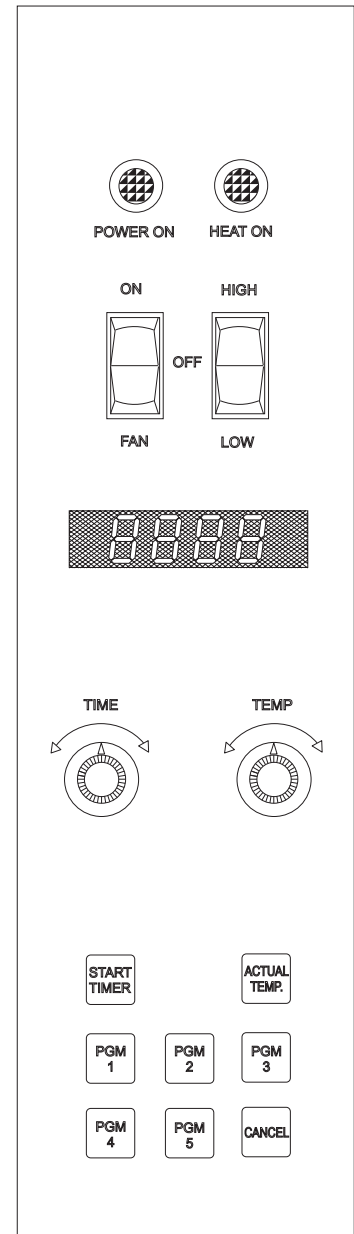
OVEN RACKS:

1. Five oven racks are provided with the oven.
2. Racks may be inserted into any available slot in the rack supports.
3. Always cook on a rack for proper convection air circulation.
4. Racks are designed to hold half-size (13" x 18") bun pans.



CAUTION: HOT SURFACE

Exposed surfaces can be hot to the touch and may cause burns.



IL2254

Fig. 2 Control Panel

PRECAUTIONS AND GENERAL INFORMATION



WARNING: ELECTRIC SHOCK HAZARD

All servicing requiring access to non-insulated electrical components must be performed by a factory authorized technician.

DO NOT open any access panel which requires the use of tools. Failure to follow this warning can result in severe electrical shock.



CAUTION: RISK OF DAMAGE

DO NOT connect or energize this appliance until all installation instructions are read and followed. Damage to the appliance will result if these instructions are not followed.



CAUTION: HOT SURFACE

Exposed surfaces can be hot to the touch and may cause burns.

This appliance is intended for use in commercial establishments only. This appliance is intended to prepare food for human consumption. No other use is recommended or authorized by the manufacturer or its agents.

Operators of this appliance must be familiar with the appliance use, limitations and associated restrictions. Operating instructions must be read and understood by all persons using or installing this appliance.

Cleanliness of this appliance is essential to good sanitation. Read and follow all included cleaning instructions and schedules to ensure the safety of the food product.

Disconnect this appliance from electrical power before performing any maintenance or servicing.

DO NOT submerge this appliance in water. This appliance is not jet stream approved. Do not direct water jet or steam jet at this appliance, or at any control panel or wiring. Do not splash or pour water on, in or over any controls, control panel or wiring. Do not wash floor around this appliance with water or steam jet.

Exposed surfaces of this appliance can be hot to the touch and may cause burns.

Do not operate this appliance if the control panel is damaged. Do not operate this appliance if the keypad section of the control panel is torn or broken. Call your Authorized Wells Service Agent for service.

The technical content of this manual, including any wiring diagrams, schematics, parts breakdown illustrations and/or adjustment procedures, is intended for use by qualified technical personnel.

Any procedure which requires the use of tools must be performed by a qualified technician.

This manual is considered to be a permanent part of the appliance. This manual and all supplied instructions, diagrams, schematics, parts breakdown illustrations, notices and labels must remain with the appliance if it is sold or moved to another location.

This appliance is made in the USA. Unless otherwise noted, this appliance has American sizes on all hardware.

AGENCY LISTING INFORMATION



STD 4



E6070

This appliance conforms to NSF Standard 4 for sanitation only if installed in accordance with the supplied *Installation Instructions* and maintained according to the instructions in this manual.

This appliance is  Listed under UL File E6070.

INSTALLATION

UNPACKING & INSPECTION

Carefully remove the appliance from the carton. Remove all protective plastic film, packing materials and accessories from the appliance before connecting electrical power or otherwise performing any installation procedure.

Carefully read all instructions in this manual including the Installation Section before starting any installation.

Read and understand all labels and diagrams attached to the appliance.

Carefully account for all components and accessories before discarding packing materials. Store all accessories in a convenient place for later use.

COMPONENTS

5 ea.	OVEN RACKS
2 ea.	RACK SUPPORTS
1 ea.	FAN BAFFLE
1 ea.	VENT DUCT ASSEMBLY

ACCESSORIES

1 ea.	LITERATURE PACKAGE
-------	--------------------

OPTIONAL ACCESSORIES

DD-22882	Stacking and Venting Kit
----------	--------------------------

SERVICE TECHNICIAN INSTALLATION NOTES

1. Installation and start up should be performed by an authorized installation company. Installer must record installation particulars on the CUSTOMER SERVICE DATA form at the end of this manual.
2. Verify that this equipment installation is in compliance with the specifications listed in this manual and with local code requirements.

NOTE: DO NOT discard the carton or other packing materials until you have inspected the appliance for hidden damage and tested it for proper operation. Refer to *SHIPPING DAMAGE CLAIM PROCEDURE* on the inside front cover of this manual.



**WARNING:
RISK OF
INJURY**

Installation procedures must be performed by a qualified technician with full knowledge of all applicable electrical and plumbing codes. Failure can result in personal injury and property damage.

IMPORTANT:

It is the **RESPONSIBILITY OF THE INSTALLER** to check with the **AUTHORITY HAVING JURISDICTION**, in order to verify compliance with local codes and ordinances for **THIS SPECIFIC EQUIPMENT INSTALLATION**.

INSTALLATION (continued)



WARNING: **ELECTRIC** **SHOCK HAZARD**

All servicing requiring access to non-insulated electrical components must be performed by a factory authorized technician.

DO NOT open any access panel which requires the use of tools. Failure to follow this warning can result in severe electrical shock.

NOTE: Oven is shipped with biscuit baking adapter plate attached to rear panel.

If oven is used exclusively for bread products (bread, pies, etc.), **DO NOT** remove adapter.

If oven is used for proteins, remove adapter and install external vent. Protein requires additional venting to decrease release of cooking vapors when opening the door.

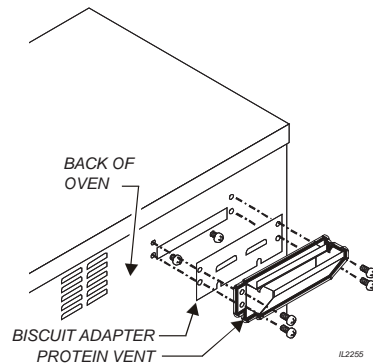


Fig. 3 Vent Duct Installation

EQUIPMENT SET-UP

1. IF CONVECTION OVEN IS TO BE USED FOR PROTEINS, INSTALL EXTERNAL DUCT

- Remove two screws at each end of adapter plate on back of oven.
- Loosen two screws at bottom of adapter plate. Remove adapter plate.
- Slide bottom flange of vent duct over the two loosened screws.
- Install four and tighten screws at ends of vent duct, then tighten bottom screws.

2. CURB or COUNTER MOUNTING

- Setup the appliance only on a firm, level, non-combustible surface. Verify local codes for requirements. Concrete, tile, terrazzo or metal surfaces are recommended. Metal over combustible material may not meet code for non-combustible surfaces.
- Appliance is approved for installation with zero clearance at bottom.
- Recommend at least 3" clearance on sides and back to allow adequate air flow.

3. INSTALLING LEGS

- Install adjustable legs, one on each corner of the appliance, in the holes provided.
- Set up the appliance only on a firm, level, non-combustible surface. Verify local codes for requirements. Concrete, tile, terrazzo or metal surfaces are recommended. Metal over combustible material may not meet code for non-combustible surfaces.
- LEVELING:** Verify that the appliance sits firmly on ALL FOUR LEGS. With a spirit level, check that the appliance is level front-to-back and side-to-side.

4. INSTALLING OPTIONAL CASTERS

- Install casters, one on each corner of the appliance, in the holes provided. Locking casters must be installed on the FRONT of the appliance.
- Set up the appliance only on a firm, level, non-combustible surface. Verify local codes for requirements. Concrete, tile, terrazzo or metal surfaces are recommended. Metal over combustible material may not meet code for non-combustible surfaces.
- LEVELING:** Verify that the appliance sits firmly on all four casters when in its normal operational position. With a spirit level, check that the appliance is level front-to-back and side-to-side.

INSTALLATION (continued)



DANGER: ELECTRICAL SHOCK HAZARD

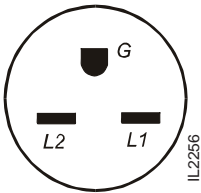
ELECTRICAL CONNECTIONS MUST BE MADE BY A LICENSED ELECTRICIAN

Electrical shock will cause death or serious injury.

ELECTRICAL INSTALLATION

Refer to the nameplate on the front of the appliance.

- Verify the ELECTRICAL SERVICE POWER.
- Voltage and phase must match the nameplate specifications, and available electrical service amperage must meet or exceed the specifications listed on page 1.



NEMA 6-30R

Fig. 4 Receptacle Configuration (not to scale)

208V and 240V OC-1 ovens are equipped with a NEMA 6-30P plug, which must be plugged into a matching NEMA 6-30R receptacle.

The ground lug of the receptacle must be connected to a suitable building ground.

IMPORTANT: Some jurisdictions require an electrical disconnect in close proximity to the appliance. It is the responsibility of the installer to meet this requirement.

PREPARATION

Prior to your first use of this appliance, clean the entire appliance by wiping all surfaces with a soft clean cloth moistened with warm clean water and mild detergent. Rinse by wiping with clean water. Wipe dry with a soft clean cloth.



CAUTION: RISK OF DAMAGE

DO NOT connect or energize this appliance until all installation instructions are read and followed. Damage to the appliance will result if these instructions are not followed.



CAUTION: ELECTRICAL SHOCK HAZARD

The ground prong of the power cord is part of a system designed to protect you from electric shock in the event of internal damage to the NEVER CUT OFF THE GROUND PRONG (large round prong). NEVER TWIST A PRONG TO FIT AN EXISTING RECEPTACLE. Contact a licensed electrician to install an electrical receptacle appropriate to the voltage and amperage requirements of the appliance.

The ground lug of 480V appliances must be connected to a suitable building ground.

IMPORTANT:

Damage due to being connected to the wrong voltage or phase is NOT covered by warranty.

OPERATION



CAUTION: HOT SURFACE

Exposed surfaces can be hot to the touch and may cause burns.

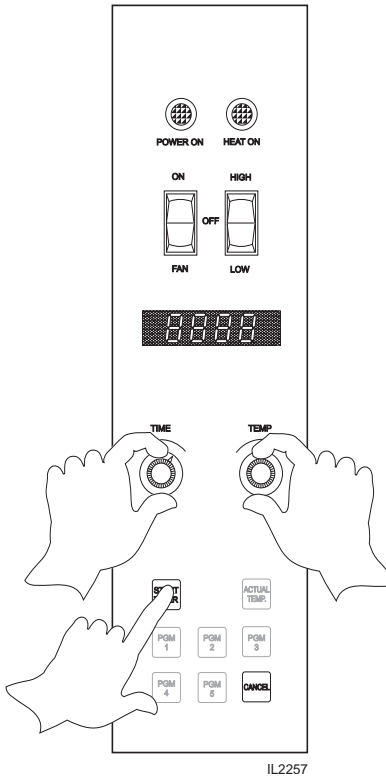


Fig. 6 Manual Cook Mode

MANUAL COOK MODE

On ovens equipped with optional casters, be sure casters are locked before turning power switch ON.

Configure oven racks as appropriate. Close the oven door.

Press oven power switch to ON. POWER ON indicator will glow.

Press fan switch to HIGH or LOW as required.

Rotate TEMP knob to the desired cooking temperature:

1. Range is 100°F to 500°F.
2. Turn clockwise to increase temperature, or counter-clockwise to decrease set temperature in 5°F intervals.
3. Digital display will show the set temperature, and will flash until the set temperature is reached.
4. Elements are energized as soon as the set temperature exceeds the actual temperature. HEAT ON indicator will glow.

SUGGESTION: The oven may be turned OFF without placing the power switch in the OFF position by rotating the TEMP knob counter-clockwise until the display shows zero degrees.

Rotate the TIME knob to the desired cooking time:

1. Range is 5 seconds (00:05) to 12 hours (12:00).
2. Turn clockwise to increase time, or counter-clockwise to decrease time in 5 second intervals.
3. Time display digits and colon will flash until timer is started.

When the HEAT ON indicator goes out, oven is up to temperature. Load product and close door.

Press START TIMER key.

1. Time display digits will stop flashing;
2. Time display colon will continue flashing for the duration of the timed cycle.
3. At the end of the timed cycle, an audible alarm will sound. Press CANCEL key to silence the audible alarm.

OPERATION (continued)

PROGRAM COOK MODE

Five programmable (PGM) keys are provided to allow presetting times and temperatures for commonly cooked menu items:

1. Press and hold the appropriate PGM key and turn the TEMP knob to the desired set temperature.
2. Continue to press and hold the appropriate PGM key and turn the TIME knob to the desired cook time.
3. When the PGM key is released, the current temperature and time settings are stored in memory.
4. The program for any PGM key may be displayed by momentarily pressing that PGM key.

On ovens equipped with optional casters, be sure casters are locked before turning power switch ON.

Configure oven racks as appropriate. Close the oven door.

Press power switch to ON. POWER ON indicator will glow.

Press fan switch to HIGH or LOW as required.

Preheat the oven in the manual cook mode.

Start a cook cycle by pressing the appropriate PGM key and START TIMER key:

1. Program keys and TEMP and TIME knobs are disabled during the cooking cycle to prevent accidental re-programming.
2. The actual oven temperature may be recalled by pressing the ACTUAL TEMP key.
3. At the end of the timed cycle, an audible alarm will sound. Press CANCEL key to silence the audible alarm.

TEMPERATURE OFFSET MODE

A user preference offset mode is provided should the displayed temperature seem too hot or cold. This mode is used to adjust the oven controlling temperature by plus or minus 35°F, in 5°F increments. This adjustment affects the entire cooking range:

1. Rotate the TIME knob to set the time digits to 00:00
2. Rotate the TEMP knob to adjust the set temperature between 400°F and 500°F.
3. Press and hold the START TIMER key for 5 seconds.
4. Turn either rotary knob until the desired offset is displayed.
5. Press the ACTUAL TEMP key to exit, and to store the offset in memory.



CAUTION: HOT SURFACE

Exposed surfaces can be hot to the touch and may cause burns.

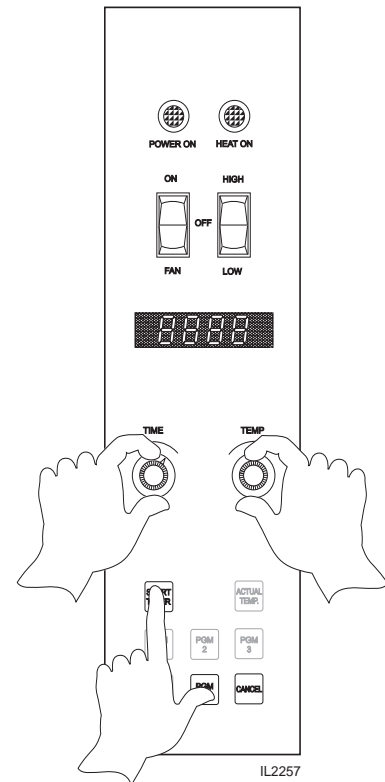


Fig. 7 Program Cook Mode

SUGGESTED TIMES & TEMPERATURES FOR BAKING AND ROASTING

SUGGESTED TIMES & TEMPERATURES FOR BAKING AND ROASTING				
PRODUCT	TEMP		TIME (MINUTES)	NO. OF RACKS
	°F	°C		
BREAD PRODUCTS				
Hamburger Rolls	300	149	15	5
Bread— 1 pound loaves	325	163	34	3 (12 loaves)
Rolls	300	149	16	5 (60 rolls)
Baking Soda Biscuits	400	204	7	3
Pizza	450	232	7	3
PASTRIES				
Sheet Cake (2-1/2 lbs per pan)	300	149	17	5
Frozen Fruit Pies (46 oz.)	350	177	50	5 (10 pies)
Frozen Fruit Pies (26 oz— 8" dia.)	350	177	40	5 (15 pies)
Sugar Cookies	300	149	15	5
Danish Rolls	350	177	12	5
Fruit Cakes	275	135	75	3
Cake— 1 pound	300	149	19	5 (10 cakes)
FISH				
Fish Sticks	350	177	15	5
Lobster Tails	450	232	9	5
Halibut Steaks (Frozen 5 oz.)	350	177	20	5
Baked Shrimp (Stuffed)	400	204	7	5
FOWL				
Turkey, Rolled (18 lb. Rolls)	310	154	225 (3-3/4 hrs)	1
Chicken (2-1/2 lb. Quartered)	350	177	30-35	5
Chicken (Breasts)	350	177	30	5
OTHER				
Melted Cheese Sandwich	400	204	8	5
Idaho Potatoes (120)	450	232	40	5
Beef Pot Pies	400	204	30-35	5
Macaroni & Cheese	350	177	30	5
Turkey Pot Pies	400	204	30-35	5
TV Dinners	450	232	25	5

NOTE: These cooking times and temperatures are suggestions only. Your own experience with your equipment and menu items will be your best guide.

NOTE: HIGH fan speed provides the fastest cooking times. Use LOW fan speed for menu items that are sensitive to air currents (e.g. meringues and soufflés).

CLEANING INSTRUCTIONS

PREPARATION	Allow oven to cool to 150°F or less
FREQUENCY	Daily
TOOLS	Fiber Brush, Plastic Scouring Pad, Plastic Scraper Mild Detergent, Conventional Oven Cleaner, Non-Abrasive Cleanser Clean Soft Cloth / Sponge Solution: 4 parts vinegar to 10 parts warm water

CLEANING

1. Turn POWER SWITCH to FAN. With the door held open, allow the oven to cool. When the oven interior has cooled to 150°F or less, turn the POWER SWITCH to OFF.
 2. Remove racks and rack supports. Remove fan baffle.
 3. Brush the fan wheel and wipe it with a moist cloth. Sponge out all loose particles.
 4. Scrub entire interior of convection oven with a plastic scouring pad and non-abrasive cleanser.
 5. For baked-on food spills, sparingly use a conventional oven cleaner. Close the oven door, place the ON/OFF/FAN switch in the OFF position. Let stand for 10 minutes.
Carefully wipe all cleaner and food residue from all interior surfaces. Wipe the area with vinegar solution to neutralize the oven cleaner.
 6. Wipe down the entire interior using a clean cloth or sponge moistened with hot water and a mild detergent. Rinse by wiping with a cloth or sponge moistened with clean water.
- IMPORTANT:** Always wipe or rub in the direction of the polish lines or grain of the metal.
7. Clean oven racks and rack supports in a sink or dishwasher.
 8. Reinstall the fan baffle, paying particular attention that the lip on the right side of the fan baffle is fully seated in the slot in the edge of the oven cavity. Reinstall rack supports and racks.
 9. Turn power switch to FAN . Verify that fan runs smoothly and does not contact fan baffle. Turn power switch to OFF. Reposition fan baffle if necessary.
 10. Replace rack supports and oven racks. Leave the door open overnight.
 12. Wipe down exterior of the oven using a soft cloth moistened with clean water and a mild detergent. A plastic scouring pad may be used to removed baked-on food debris. Rinse by wiping with a cloth or sponge moistened with clean water.

IMPORTANT: Always wipe or rub in the direction of the polish lines or grain of the metal.

Procedure is complete



**CAUTION:
ELECTRIC SHOCK
HAZARD**

Disconnect appliance from electric power before cleaning.



**CAUTION:
BURN HAZARD**

Allow appliance to cool completely before cleaning.

Do not attempt to clean the oven until it has cooled to 150°F or less. It can burn you. Hand protection is required.



**CAUTION:
CUT HAZARD**

FAN BLADES ARE SHARP. Use due care when cleaning and/or wiping.

IMPORTANT:

Take care to avoid damage to fan blades when reinstalling fan baffle.

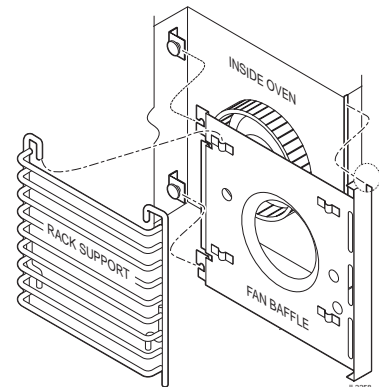


Fig. 8 Baffle & Rack Support

IMPORTANT: DO NOT spill or pour water into controls, control panel or wiring.

Damage to internal components from water damage is not covered by warranty.

TROUBLESHOOTING SUGGESTIONS



CAUTION: ELECTRICAL SHOCK HAZARD

Removal of any cabinet panel will result in exposed electrical circuits. Any procedure requiring the removal of any cabinet panel must be performed by a qualified technician only.



CAUTION: ELECTRICAL SHOCK HAZARD

Fuse replacement may expose dangerous voltages. Fuse replacement must be performed by a qualified technician.

TROUBLESHOOTING		
SYMPTOM	POSSIBLE CAUSE	SUGGESTED REMEDY
No power to appliance	Circuit breaker off or tripped	Reset circuit breaker
	Power cord unplugged or damaged	Check power cord. Plug in or repair as required
	Fuse blown or loose	Check power fuses. If blown, correct problem and replace fuses
Oven will not heat	Power switch turned to OFF or FAN	Turn power switch ON
	Temperature control not set	Set to desired temperature
	Oven door not closed	Be sure door is closed and latched
	Hi-limit control tripped on excessive oven temperature	Allow oven to cool, Hi-limit will reset
	Damaged controller	Contact Authorized Wells Service Agency for repairs
Blower fan will not run	Fan switch OFF	Turn fan switch to HIGH or LOW
	Damage to internal components	Contact Authorized Wells Service Agency for repairs
Door pops open during cook cycle	Latch out of adjustment	Adjust latch

NOTE: There are no user serviceable components in the appliance. In all cases of damage or component malfunction, contact your Authorized Wells Service Agency for repairs.

PREVENTATIVE MAINTENANCE



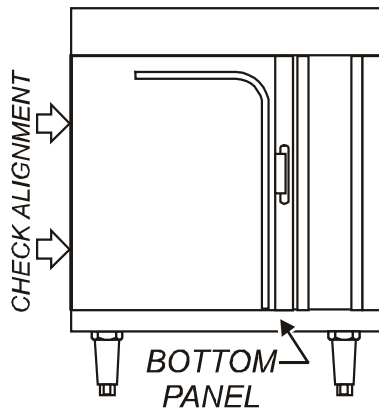
CAUTION: BURN HAZARD

Allow appliance to cool completely before adjusting.

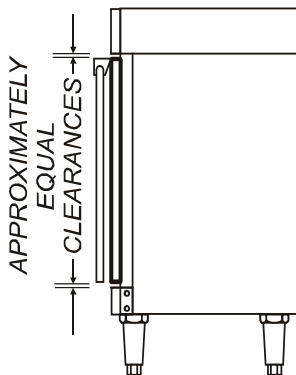
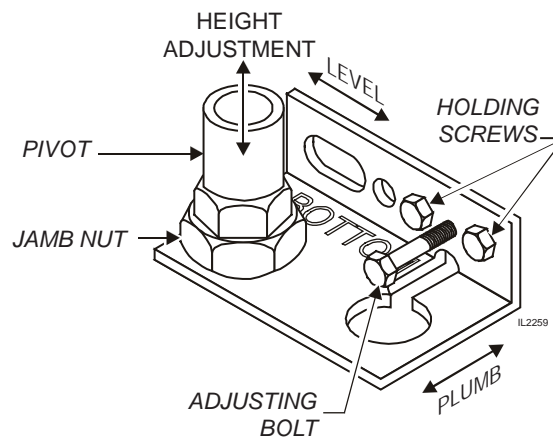
HINGE ADJUSTMENT

PRECAUTIONS:	None
FREQUENCY:	Monthly, at a Minimum; or, As Needed
TOOLS:	Phillips (+) Screwdriver 7/16" Nut Driver 7/8" and 1-1/8" Wrenches

THE FOLLOWING PROCEDURE IS TO BE PERFORMED BY QUALIFIED PERSONNEL ONLY



1. Remove bottom panel to access pivot.



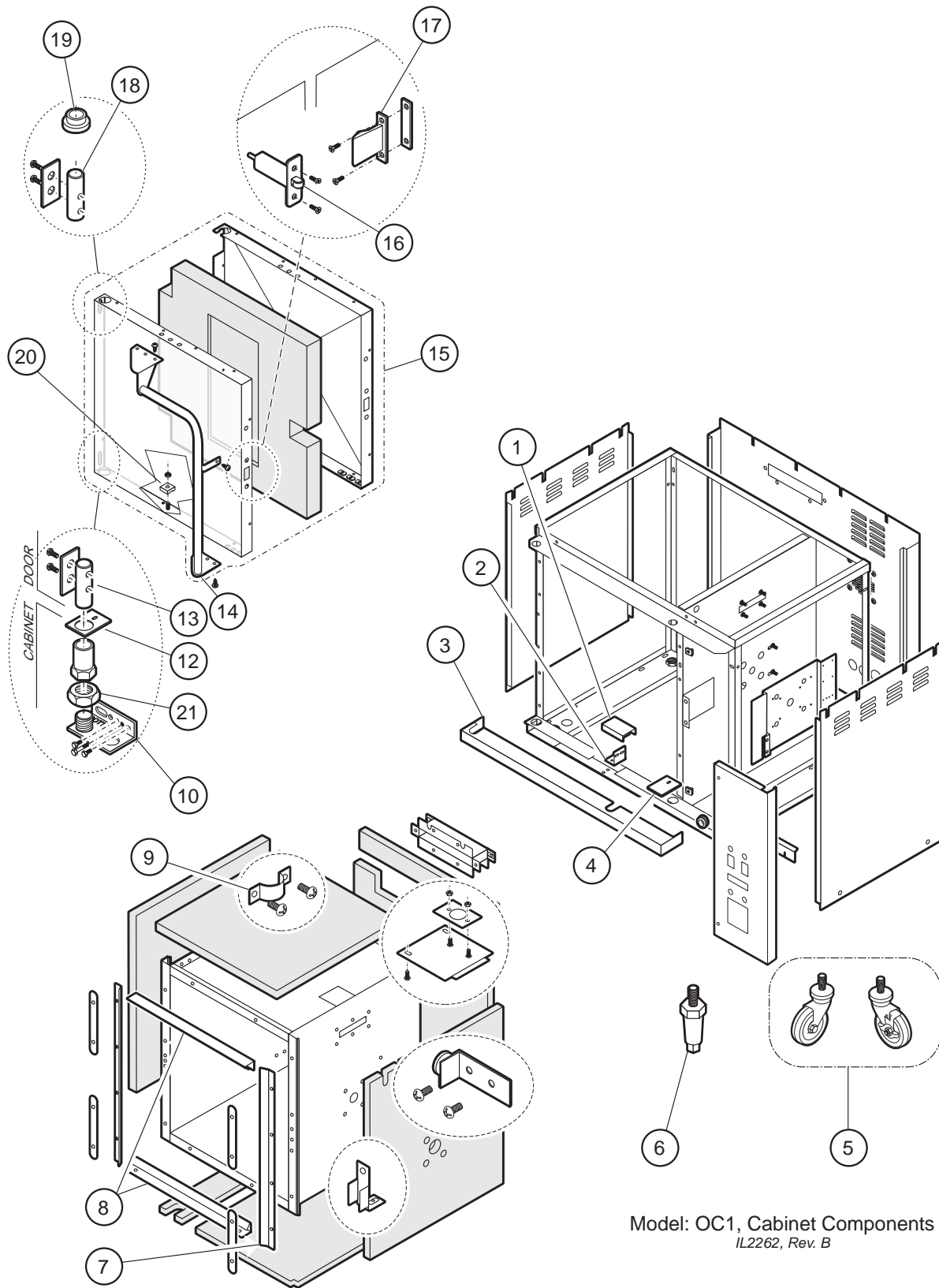
2. Gap between top of door and frame, and between bottom of door and frame must be approximately equal
Adjust height of door by loosening jamb nut, then turning pivot on its screw mounting. Clockwise lowers the door height. Re-tighten jamb nut.
3. Gap between left side of door and frame must be the same from top to bottom
Adjust door for plumb by loosening holding screws. Turn adjusting bolt to increase or decrease gap at bottom. Clockwise increases gap. Re-tighten holding screws.
4. Gap between top of door and frame must be the same from side to side
Adjust door for level by loosening holding screws, then raising or lowering latch-end of door until it is level. Re-tighten holding screws.
5. Reinstall bottom panel.

Hinge Adjustment

Procedure is complete

EXPLODED VIEW & PARTS LIST

OC1 CABINET COMPONENTS



Model: OC1, Cabinet Components
 IL2262, Rev. B

M273 p/n 2M-Z14729 Owners Manual OC1 Half-Size Convection Ovens

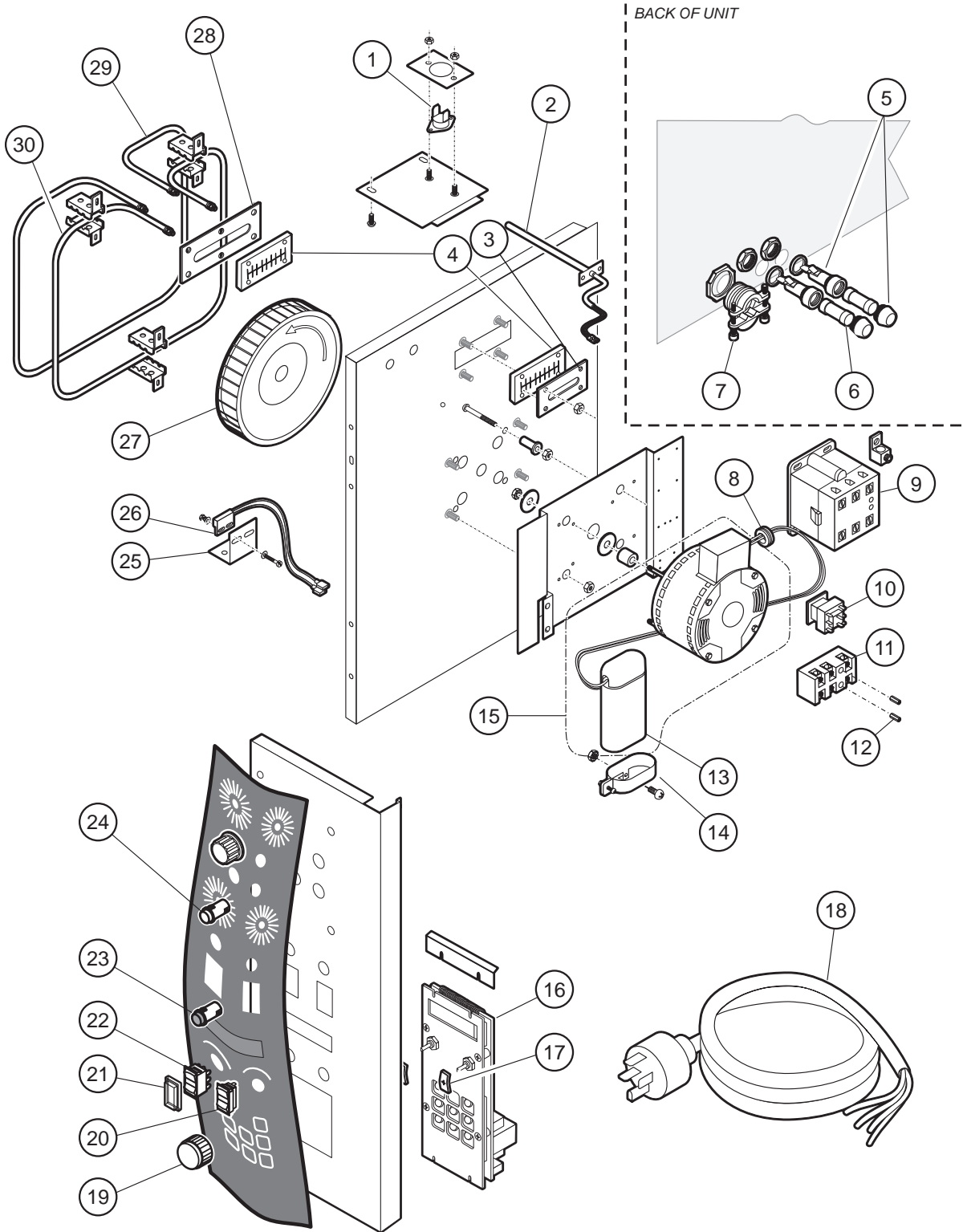
EXPLODED VIEW & PARTS LIST

OC1 ELECTRICAL COMPONENTS

Model OC1; Cabinet Components			
Fig No	Part No	Description	Qty
1	F6-45647	SHIELD PROX SWITCH ASSY O	1
2	F6-43787	BRKT SWITCH PROXIMITY	1
3	F6-43804	TRIM FR LOWER	1
4	F6-43899	PLATE DOOR PIVOT	1
5	5F-21372	CASTER SWVL W/BRAKE	SET OF 2
	5F-21330	CASTER SET CONV OVEN	SET OF 4
6	2A-45598	LEG ADJUST 6IN SS OC-1	4
7	F6-46313	GASKET DOOR SIDE	2
8	F6-46314	GASKET DOOR TOP&BTM	2
9	F6-43889	CLIP SUPPORT RACK	8
10	F6-43896	HINGE BOT ASSY DOOR	1
11	2A-43900	SLEEVE HINGE DOOR	1
14	2R-305612	HANDLE ASSY	1
15	F6-304444	ASSY OVEN DOOR	1
16	2C-305615	LATCH ASSY	1
17	2C-305616	STRIKER LATCH	1
18	2A-305610	PIN HINGE DOOR OVENS	2
19	2K-305619	BUSHING UPPER DOOR HINGE	1
20	2R-43948	MAGNET PERMANENT M4200-2	2
21	2C-44363	NUT 3/4-10 FINISH HEX JAM	1
NI	F6-43788	TOP OVEN	1
NI	2M-Z14730	WIRE DIAGRAM OC1	1
NI	F6-49626	PANEL SIDE (LOUVERED)	2

EXPLODED VIEW & PARTS LIST

OC1 ELECTRICAL COMPONENTS



SOME ITEMS ARE INCLUDED FOR ILLUSTRATION PURPOSES ONLY AND IN CERTAIN INSTANCES MAY DIFFER FROM ACTUAL APPEARANCE OR MAY NOT BE AVAILABLE.

Model: OC1, Electrical Components
IL2261, Rev. -

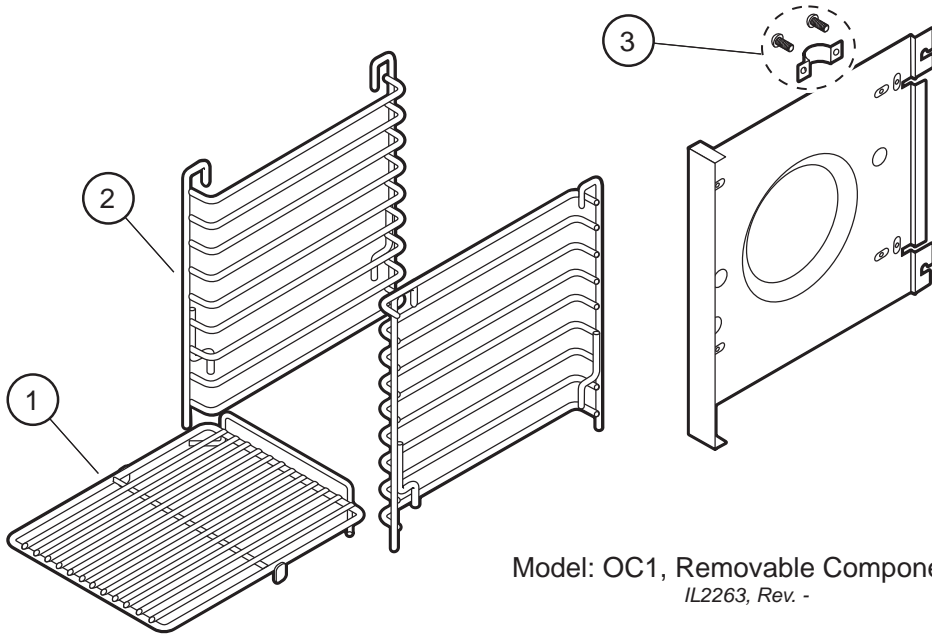
EXPLODED VIEW & PARTS LIST

OC1 ELECTRICAL COMPONENTS

Model OC1; Electrical Components				
Fig No	Part No	Qty	Description	Application
1	2T-45180	1	THERMO SNAP DISC	
2	2J-304712	1	PROBE TEMP OC-1	
3	F6-43837	1	COVER GASKET ELEM OUTER M	
4	2I-43834	2	GASKET ELEM M4200	
5	2E-34769	2	FUSEHLD R HPG-EE 10A 240V	
6	2E-34768	3	FUSE SC-10 10A 300V 34871	
7	2K-300102	1	STRAIN RELIEF 1NPT.375-1.	
8	2K-31040	2	BUSHING HEYCO 7/8 OD	
9	2E-306967B	1	RELAY ESAFE II I/O 208/24	
10	2E-43880	1	RELAY 208/240 DPDT	
11	2E-37465	1	TERM BLOCK 3POLE 85AMP	
12	2C-41974	2	NUT 8-32 HEX 7/8 LONG ALU	
13	2E-Z13532	-	CAPACITOR-MTR 370V@ 5mFD	
14	2V-300933	1	BRKT CAPACITOR HOLDING	
15	WS-63932	1	MOTOR 2SP 1/4HP 208/240V,w/CAP.	
16	2J-304713	1	CONTROLLER TIME/TEMP OC-1	
17	M3-303252	2	GASKET CLOSE CELL, OVEN P	
18	2E-35259	1	CORD SET 250V 30A 12G 6-3	
18	2R-47439	2	KNOB OC-1 RS	
20	2E-45657	1	SWITCH SPDT OC-1	
21	2E-43738	2	BOOT ROCKER SWITCH WB-2 B	
22	2E-45651	1	SWITCH DPDT BLACK 250V 15	
23	2J-31157	1	LIGHT SIGNAL RED M3938PR	
24	2J-40877	1	LIGHT SIGNAL WHITE 250V 1	
25	F6-43787	1	BRKT SWITCH PROXIMITY M42	
26	F6-45239	1	PROXIMITY SWITCH ASSY M42	
27	2U-43797	1	WHEEL BLOWER M4200	
28	F6-43836	1	COVER GASKET ELEM INNER M	
29	2N-43866UL	1	ELEM 208V 2500W CENTER	208V
	2N-43800UL		ELEM 240V 2800W CENTER	240V
30	2N-43872UL	1	ELEM 208V 2500W INNER	208V
	2N-43883UL		ELEM 240V 2800W CENTER	240V
NI	F6-45579	1	ELEM ASSY 208V OC1	208V
NI	F6-45580		ELEM ASSY 240V OC1	240V

EXPLODED VIEW & PARTS LIST

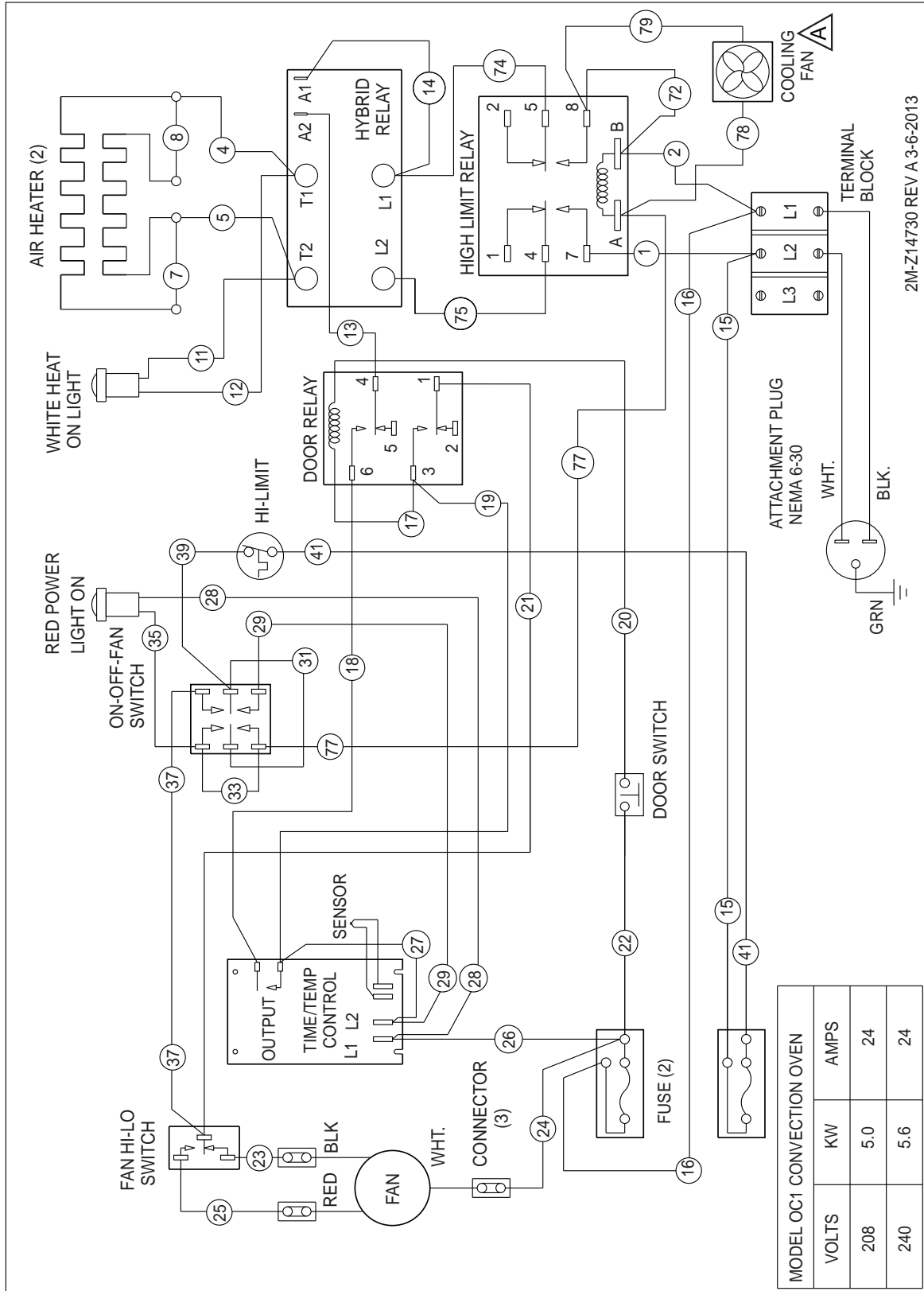
OC1 REMOVABLE COMPONENTS



Model OC1; Removable Components			
Fig No.	Part No	Description	Qty
1	2B-50200-34	RACK HALF SIZE OVENS	5
2	2B-43785	SUPPORT RACK OVEN M4200	2
3	F6-43889	CLIP SUPPORT RACK M4200	8

WIRING DIAGRAM

M273 p/n 2M-Z14729 Owners Manual OC1 Half-Size Convection Ovens



2M-Z14730 REV A 3-6-2013

MODEL OC1 CONVECTION OVEN	
VOLTS	AMPS
208	24
240	24

WIRING DIAGRAM

PARTS & SERVICE

DESCRIPTION

PART NO.

CASTERS (Set of 4 casters)

5F-21330

OVEN RACK Replacement

5F-21376

PREP TOP KIT

5F-21445

LEGS, 6" Stainless Steel (Set of 4 legs)

2A-22226

IMPORTANT: Use only factory authorized service parts and replacement filters.

For factory authorized service, or to order factory authorized replacement parts, contact your Wells authorized service agency, or call:

Wells Manufacturing

10 Sunnen Dr.,
St. Louis MO 63143 USA

Service Dept.

phone: (888) 356-5362
fax: (314) 781-2714

Service Parts Department can supply you with the name and telephone number of the **WELLS AUTHORIZED SERVICE AGENCY** nearest you.

CUSTOMER SERVICE DATA

please have this information available if calling for service

RESTAURANT _____ LOCATION _____

INSTALLATION DATE _____ TECHNICIAN _____

SERVICE COMPANY _____

ADDRESS _____ STATE _____ ZIP _____

TELEPHONE NUMBER (____) _____ - _____

EQUIPMENT MODEL NO. _____ EQUIPMENT SERIAL NO. _____

VOLTAGE: (check one) 208 240

CFESA

Commercial Food Equipment Service Association

Wells Bloomfield proudly supports CFESA
Commercial Food Equipment Service Association

SERVICE TRAINING - QUALITY SERVICE



CUSTOMER SATISFACTION



WELLS MANUFACTURING
10 Sunnen Dr., St. Louis, MO 63143
telephone: 314-678-6314
fax: 314-781-2714
www.wellsbloomfield.com