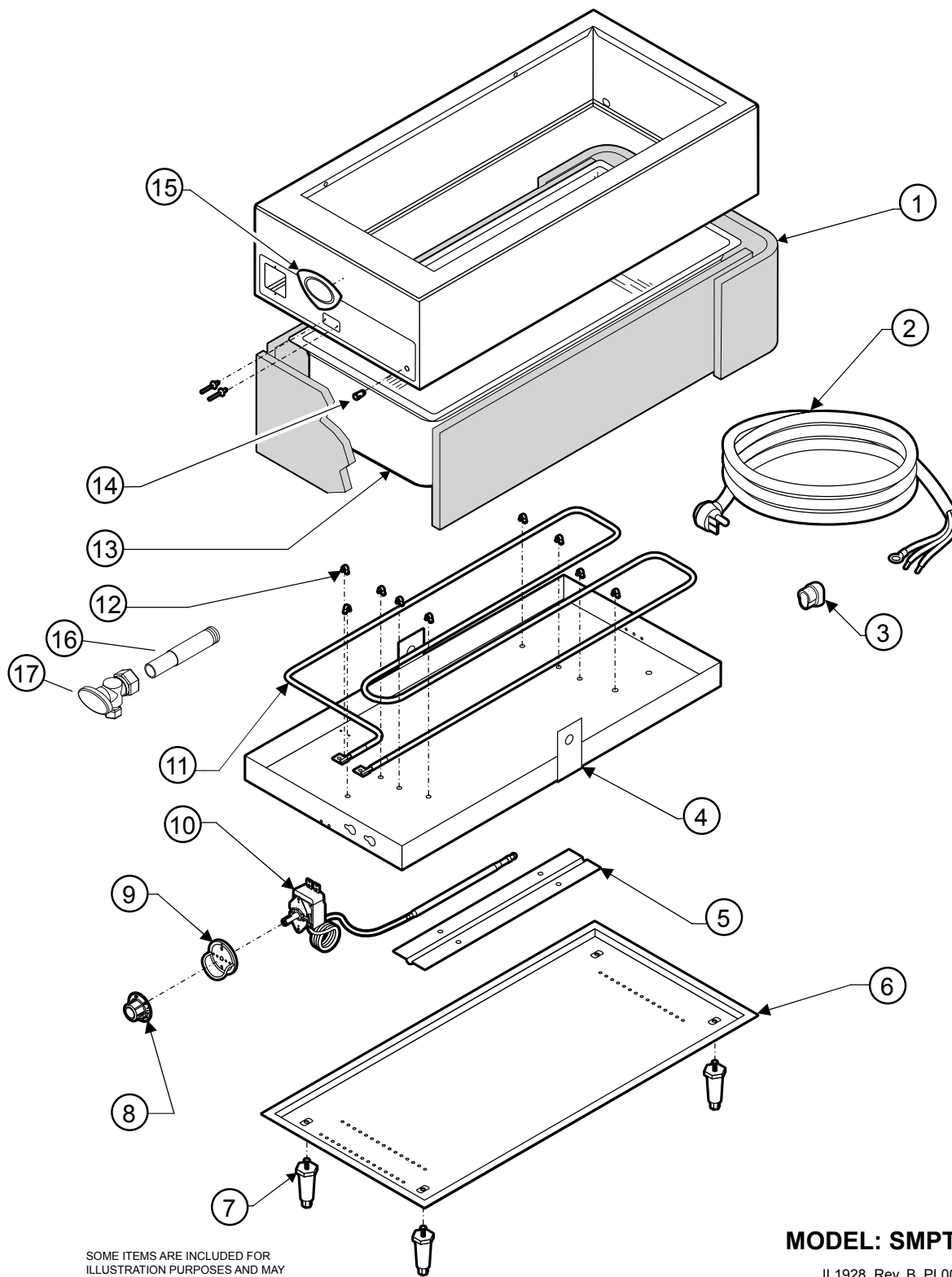


EXPLODED VIEW: SMPT-27

MODEL SMPT-27



SOME ITEMS ARE INCLUDED FOR ILLUSTRATION PURPOSES AND MAY VARY SLIGHTLY FROM ACTUAL APPEARANCE.

MODEL: SMPT-27

IL1928, Rev. B, PL001

MODEL: SMPT27, SMPTD27 FABRICATED WARMER			
Item No	Part No	Description	Application
1	2H-303946	INSUL SIDE BMW-327 427	
	2H-307893	INSULATION FRONT	
2	D8-WL0339	ASSY, CORDSET 120V, 15A 14G	120V
	D8-WL0340	ASSY, CORDSET 6-15P 16/3W 4FT	208/240V
3	2K-31217	STRAIN RELIEF 90DEG	
4	WS-503841	KIT ELEM PAN W/O ELEMENT	SMPT-27
	WS-503840	KIT ELEM PAN W/ELEMENT	SMPT-27
	D8-Z16231	PAN, ELEMENT SMPTD-27	SMPTD-27
	D8-WL0329	PAN ELEM ASSY SMPTD27-120	SMPTD27-120
	D8-WL0328	PAN ELEM ASSY SMPTD27	SMPTD27-208/240
5	D8-303352	BRKT THERMO BULB	
6	D8-307897	BASE SMPT-27	SMPT-27
	D8-Z16226	BASE SMPTD-27	SMPTD-27
7	2R-Y5092	BLK PLASTIC LEG, 4"	
	2A-41946	LEG ADJUST 1"	120C
8	2R-40498	KNOB ASSY	
9	D8-30256	TRIM RING ASSY	
10	2T-38968	THERMO K TYPE	
11	2N-301981UL	ELEM 120V 1650W SMPT-27	120V
	2N-Z20382	ELEM 120V 1400W SMPT27	120C
	2N-300706UL	ELEM 240V 1650W 12X27	240V
12	2C-30397	CLIP ELEM WARMERS	
13	D8-301955	PAN ASSY SMPT-27	SMPT27
	D8-WL0326	PAN ASSY-12X27 w/ELBOW	SMPTD-27
14	2J-30516	LIGHT SIGNAL AMBER	
15	2M-300534	TRADEMARK DOMED LABEL	
16	2A-Z13799	DRAIN TUBE	SMPTD-27
17	2K-Z13805	DRAIN VALVE	SMPTD-27