


WELLS MANUFACTURING

10 Sunnen Dr., St. Louis, MO 63143

telephone: 314-678-6314

fax: 314-781-2714

www.wellsbloomfield.com


Model WB1E

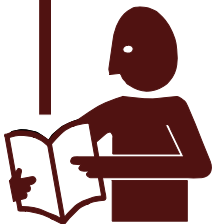
OWNERS MANUAL
**WAFFLE
BAKER**
MODELS
**WB1, WB1E
WB2, WB2E**


Model WB2E

Includes
**INSTALLATION
 USE & CARE
 EXPLODED VIEW
 PARTS LIST
 WIRING DIAGRAM**

IMPORTANT: DO NOT DISCARD THIS MANUAL

This manual is considered to be part of the appliance and is to be given to the OWNER or MANAGER of the restaurant, or to the person responsible for TRAINING OPERATORS of this appliance. Additional manuals are available from your WELLS DEALER.



THIS MANUAL MUST BE READ AND UNDERSTOOD BY ALL PERSONS USING OR INSTALLING THIS APPLIANCE. Contact your WELLS DEALER if you have any questions concerning installation, operation or maintenance of this equipment.

LIMITED WARRANTY STATEMENT

Unless otherwise specified, all commercial cooking equipment manufactured by WELLS MANUFACTURING is warranted against defects in materials and workmanship for a period of one year from the date of original installation or 18 months from the date of shipment from our factory, whichever comes first, and is for the benefit of the original purchaser only.

THIS WARRANTY IS THE COMPLETE AND ONLY WARRANTY, EXPRESSED OR IMPLIED IN LAW OR IN FACT, INCLUDING BUT NOT LIMITED TO, WARRANTIES OF MERCHANTABILITY OR FITNESS FOR ANY PARTICULAR PURPOSE, AND/OR FOR DIRECT, INDIRECT OR CONSEQUENTIAL DAMAGES IN CONNECTION WITH WELLS PRODUCTS. This warranty is void if it is determined that, upon inspection by an authorized service agency, the equipment has been modified, misused, misapplied, improperly installed, or damaged in transit or by fire, flood or act of God. It also does not apply if the serial nameplate has been removed, or if service is performed by unauthorized personnel. The prices charged by Wells Manufacturing for its products are based upon the limitations in this warranty.

Seller's obligation under this warranty is limited to the repair of defects without charge by a Wells Manufacturing factory authorized service agency or one of its sub-service agencies. This service will be provided on customer's premises for non-portable models. Portable models (a device with a cord and plug) must be taken or shipped to the closest authorized service agency, transportation charges prepaid, for service. In addition to restrictions contained in this warranty, specific limitations are shown in the Service Policy and Procedure Guide. Wells Manufacturing authorized service agencies are located in principal cities. This warranty is valid in the United States and Canada and void elsewhere. Please consult your classified telephone directory, your foodservice equipment dealer or contact:

Wells Manufacturing
10 Sunnen Dr., St. Louis MO 63143 USA
phone (314) 678-6314 or fax (314) 781-2714
for information and other details concerning warranty.

SERVICE POLICY AND PROCEDURE GUIDE and ADDITIONAL WARRANTY EXCLUSIONS

1. Resetting of safety thermostats, circuit breakers, over load protectors, and/or fuse replacements are not covered by this warranty unless warranted conditions are the cause.
2. All problems due to operation at voltages or phase other than specified on equipment nameplates are not covered by this warranty. Conversion to correct voltage and/or phase must be the customer's responsibility.
3. All problems due to electrical connections not made in accordance with electrical code requirements and wiring diagrams supplied with the equipment are not covered by this warranty.
4. Replacement of items subject to normal wear, to include such items as knobs, light bulbs; and, normal maintenance functions including adjustments of thermostats, adjustment of micro switches and replacement of fuses and indicating lights are not covered by warranty.
5. Damage to electrical cords and/or plug due to exposure to excessive heat are not covered by this warranty.
6. Full use, care, and maintenance instructions supplied with each machine. Noted maintenance and preventative maintenance items, such as servicing and cleaning schedules, are customer responsibility. Those miscellaneous adjustments noted are customer responsibility. Proper attention to preventative maintenance and scheduled maintenance procedures will prolong the life of the appliance.
7. Travel mileage is limited to sixty (60) miles from an Authorized Service Agency or one of its sub-service agencies.
8. All labor shall be performed during regular working hours. Overtime premium will be charged to the buyer.
9. All genuine Wells replacement parts are warranted for ninety (90) days from date of purchase on non-warranty equipment. This parts warranty is limited only to replacement of the defective part(s). Any use of non-genuine Wells parts completely voids any warranty.
10. Installation, labor, and job check-outs are not considered warranty and are thus not covered by this warranty.
11. Charges incurred by delays, waiting time or operating restrictions that hinder the service technician's ability to perform service are not covered by warranty. This includes institutional and correctional facilities.

SHIPPING DAMAGE CLAIM PROCEDURE

NOTE: For your protection, please note that equipment in this shipment was carefully inspected and packaged by skilled personnel before leaving the factory. Upon acceptance of this shipment, the transportation company assumes full responsibility for its safe delivery.

IF SHIPMENT ARRIVES DAMAGED:

1. **VISIBLE LOSS OR DAMAGE:** Be certain that any visible loss or damage is noted on the freight bill or express receipt, and that the note of loss or damage is signed by the delivery person.
2. **FILE CLAIM FOR DAMAGE IMMEDIATELY:** Regardless of the extent of the damage.
3. **CONCEALED LOSS OR DAMAGE:** if damage is unnoticed until the merchandise is unpacked, notify the transportation company or carrier immediately, and file "CONCEALED DAMAGE" claim with them. This should be done within fifteen (15) days from the date the delivery was made to you. Be sure to retain the container for inspection.

Wells Manufacturing cannot assume liability for damage or loss incurred in transit. We will, however, at your request, supply you with the necessary documents to support your claim.

TABLE OF CONTENTS

WARRANTY	xi
SPECIFICATIONS	1
FEATURES & OPERATING CONTROLS	2
PRECAUTIONS & GENERAL INFORMATION	3
AGENCY LISTING INFORMATION	3
INSTALLATION	4
OPERATION	5, 6
CLEANING INSTRUCTIONS	7, 8
MAINTENANCE - SET BAKING TEMPERATURE	9
TROUBLESHOOTING SUGGESTIONS	9
EXPLODED VIEW & PARTS LIST	10 - 15
WIRING DIAGRAM	16 - 19
CUSTOMER SERVICE DATA	Back Cover

INTRODUCTION

Thank You for purchasing this Wells Manufacturing appliance.

Proper installation, professional operation and consistent maintenance of this appliance will ensure that it gives you the very best performance and a long, economical service life.

This manual contains the information needed to properly install this appliance, and to use and care for the appliance in a manner which will ensure its optimum performance.

SPECIFICATIONS

MODEL	STYLE	VOLTAGE 1 ϕ	WATTS	AMPS	POWER SUPPLY CORD
WB1	Single Waffle Baker	120V	900 W	7.5 A	NEMA 5-15P
		208V	676 W	3.25 A	NEMA 6-15P
		230V	875 W	3.8	CEE 7/VII
		240V	900 W	3.75 A	NEMA 6-15P
WB1E		120V	900W	7.5	NEMA 5-15P
		208/240V	676/900W	3.3/3.8	NEMA 6-15P
		220/240	900W	3.8	CE VII 436U
WB1-TM			220 CE	946 W	4.3 A
WB2	Double Waffle Baker	120V	1800 W	15 A	NEMA 5-20P
		208V	1352 W	6.5 A	NEMA 6-15P
		230V	1725 W	7.5 A	CEE 7/VII
		240V	1800 W	7.5 A	NEMA 6-15P
WB2E		120V	1800W	15	NEMA 5-20P
		208/240V	1352/1800W	6.5/7.5	NEMA 6-15P
		220/240	1800W	7.5	CEE 7/VII
WB2-TM			220 CE	1892 W	8.6 A

FEATURES & OPERATING CONTROLS

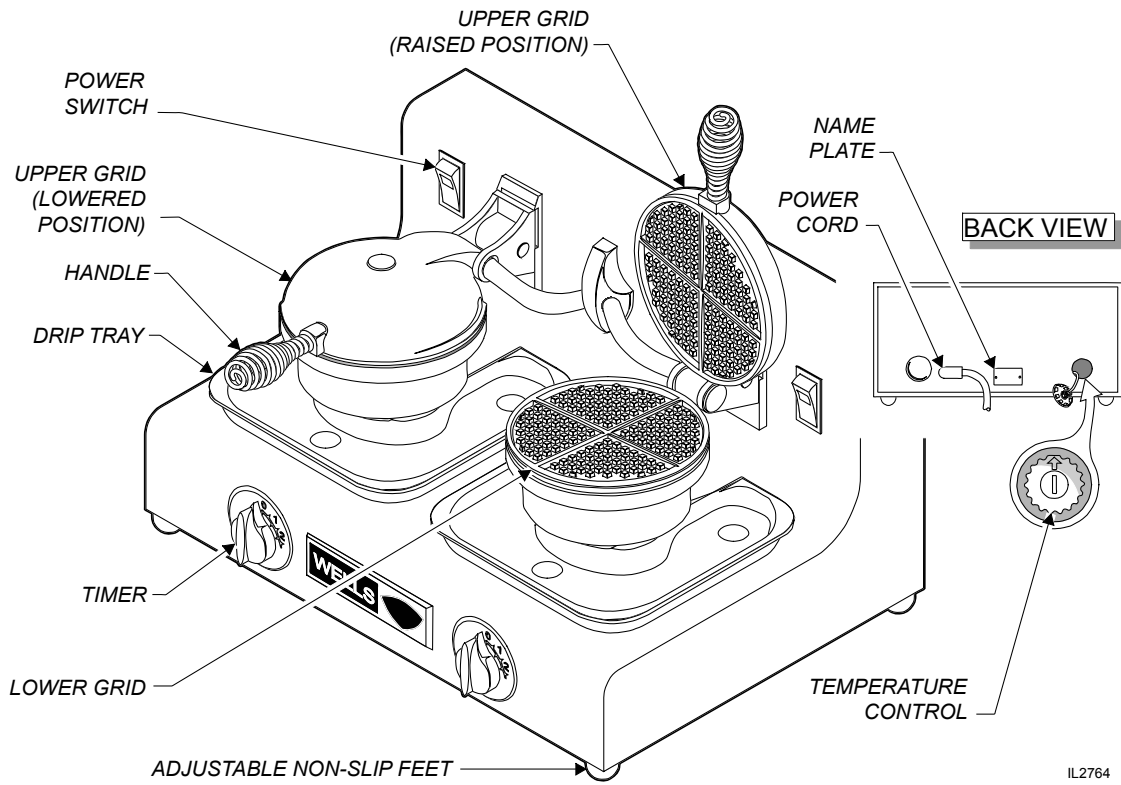


Fig. 1 Waffle Baker - Features & Operating Controls (WB2 shown, WB1 similar)

PRECAUTIONS AND GENERAL INFORMATION



DANGER: BURN HAZARD

Contact with cooking grid surface will cause severe burns. Use the handle to lift the grid. Avoid contact with grid surfaces.



WARNING: ELECTRIC SHOCK HAZARD

All servicing requiring access to non-insulated components must be performed by qualified service personnel. DO NOT open any access panel that requires the use of tools. Failure to heed this warning may result in severe electric shock.

This appliance is intended for use in commercial establishments only.

This appliance is intended to prepare food for human consumption. No other use is recommended or authorized by the manufacturer or its agents.

Operators of this appliance must be familiar with the appliance use, limitations and associated restrictions. Operating instructions must be read and understood by all persons using or installing this appliance.

Cleanliness of this appliance is essential to good sanitation. Read and follow all included cleaning instructions and schedules to ensure the safety of the food product.

Disconnect this appliance from electrical power before performing any maintenance or servicing.

DO NOT submerge this appliance in water. This appliance is not jet stream approved. Do not direct water jet or steam jet at this appliance, or at any control panel or wiring. Do not splash or pour water on, in or over any controls, control panel or wiring.

Exposed surfaces of this appliance can be hot to the touch and may cause burns.

The technical content of this manual, including any wiring diagrams, schematics, parts breakdown illustrations and/or adjustment procedures, is intended for use by qualified technical personnel. Any procedure which requires the use of tools must be performed by a qualified technician.

This manual is considered to be a permanent part of the appliance. This manual and all supplied instructions, diagrams, schematics, parts breakdown illustrations, notices and labels must remain with the appliance if it is sold or moved to another location.

This appliance is made in the USA. Unless otherwise noted, this appliance has American sizes on all hardware.



CAUTION: RISK OF DAMAGE

DO NOT connect or energize this appliance until all installation instructions are read and followed. Damage to the appliance will result if these instructions are not followed.



CAUTION: HOT SURFACE

Exposed surfaces can be hot to the touch and may cause burns.

AGENCY LISTING INFORMATION

This appliance conforms to NSF Standard 4 for sanitation only if installed in accordance with the supplied *Installation Instructions* and maintained according to the instructions in this manual.

This appliance is  Listed under UL File E6070 for 120V.



STD 4



C

US

E6070

INSTALLATION

NOTE: DO NOT discard the carton or other packing materials until you have inspected the appliance for hidden damage and tested it for proper operation. Refer to *SHIPPING DAMAGE CLAIM PROCEDURE* on the inside front cover of this manual.



CAUTION: RISK OF DAMAGE

DO NOT connect or energize this appliance until all installation instructions are read and followed. Damage to the appliance will result if these instructions are not followed.



CAUTION: ELECTRICAL SHOCK HAZARD

The ground prong of the power cord is part of a system designed to protect you from electric shock in the event of internal damage to the appliance.

NEVER CUT OFF THE GROUND PRONG (large round prong).

NEVER TWIST A PRONG TO FIT AN EXISTING RECEPTACLE.

Contact a licensed electrician to install an electrical receptacle appropriate to the voltage and amperage requirements of the waffle baker.

IMPORTANT:

Damage due to being connected to the wrong voltage or phase is NOT covered by warranty.

UNPACKING & INSPECTION

Carefully remove the appliance from the carton. Remove all protective plastic film, packing materials and accessories from the appliance before connecting performing any installation procedure.

Carefully read all instructions in this manual and the Installation Instruction Sheet packed with the appliance before starting any installation.

Read and understand all labels and diagrams attached to the appliance.

Carefully account for all components and accessories before discarding packing materials. Store all accessories in a convenient place for later use.

COMPONENTS

- 1 or 2 ea. DRIP TRAY(S)
- 1 or 2 ea. HANDLE(S)
- 4 ea. ADJUSTABLE FEET

SETUP

Lightly lubricate threaded boss of upper grid using vegetable oil. Thread handle onto boss, making sure that they are fully seated. Handles are not removable once installed.

Setup the appliance only on a firm, level, non-combustible surface. Verify local codes for requirements. Concrete, tile, terrazzo or metal surfaces are recommended.

Install the provided adjustable feet, one on each corner of the appliance, in the holes provided. Verify that the unit sits firmly on ALL FOUR FEET. Adjust as required to level the appliance. All four feet must be adjusted to firmly contact the countertop in order to prevent tipping.

ELECTRICAL INSTALLATION

Refer to the nameplate. Verify the electrical service power. Voltage and phase must match the nameplate specifications. Connecting the waffle baker to the wrong voltage can severely damage the unit or cause noticeably decreased performance.

IMPORTANT: Damage due to being connected to the wrong voltage is NOT covered by warranty.

SEASONING THE GRIDS

Lightly spray commercial waffle baker spray on both upper and lower grid.

Carefully close the upper grid. Turn the power switch on, then allow the waffle baker to pre-heat for at least 20 minutes.

Using the handle, lift the upper grid and lightly re-coat both upper and lower grid. Lower the upper grid.

The appliance is now ready for use.

GENERAL OPERATIONAL NOTES

Carefully read the description of the waffle baker operation on the specification sheet.

DO NOT attempt to perform any maintenance or service unless the waffle baker is disconnected from electrical power.

DO unplug the waffle baker before cleaning, servicing or performing any maintenance.

DO NOT use sharp objects or metal implements to clean the grids.

DO use a plastic spatula or plastic scouring pad to remove burned-on food product.

OPERATION

Turn power switch to the on position.

With the upper grid closed, allow to preheat for at least 20 minutes.

Using the handle, lift the upper grid. Pour desired amount of Belgian Waffle Batter onto the lower grid.

Using the handle, carefully close the upper grid. Turn timer knob to desired setting (approximately 2-1/2 to 3 minutes).

When the bell rings, raise the upper grid and remove the waffle.

Cooking Recommendations:

Keep the grids closed when not in use to maintain temperature.

Use a soft bristle brush to lightly brush and clean cooking debris from the grids between waffles.

Reseason grids every 3 - 4 waffles to guard against waffles sticking. This interval may be extended by adding oil or butter to the waffle batter.

Always use fresh batter that contains sufficient shortening. Add shortening as necessary, and do not store batter for extended periods.

Ensure a perfect, great-tasting waffle by cleaning and re-seasoning frequently. After every third waffle, and anytime the waffle baker has been left idle for over one-half hour, lightly spray grids with commercial waffle baker spray.

Never apply beeswax, paraffin or other such materials to the grids. Use only a quality commercial waffle baker spray.

Never use sharp implements (i.e. knives, forks, metal tongs) to remove waffles from the grid. Use a plastic spatula or plastic tongs.

**CAUTION:
HOT SURFACE**

Exposed surfaces can be hot to the touch and may cause burns.

IMPORTANT:

The timer bell will ring at the end of the cooking time. The timer bell is only a signal that the waffle is done. It does not turn the heating element on or off.

Remove the waffle promptly when the bell rings.

OPERATION (ELECTRONIC UNITS) WB1E & WB2E



CAUTION: HOT SURFACE

Exposed surfaces can be hot to the touch and may cause burns.

MAKING WAFFLES

Turn the unit on and allow to pre-heat for 15 minutes with the grids closed. Once the baker has reached proper temperature you can proceed as follows:

1. Brush on releasing agent, if needed
2. Lift the lid, pour in mix and close.
3. Start timer by pressing the start/stop pad.
4. When timer beeps, depress the start/ stop pad.
5. Remove waffle.
6. For next waffle repeat steps 1 through 5.

Setting the Time:

If necessary, the factory pre-set timer can be adjusted to satisfy individual preferences.



To increase time, depress and hold the “up” button. The start/ stop button can now be used to increase baking time.



To decrease time, depress and hold the “down” button. The “start/stop” button can now be used to decrease baking time.

IMPORTANT:

The timer bell will ring at the end of the cooking time. The timer bell is only a signal that the waffle is done. It does not turn the heating element on or off.

Remove the waffle promptly when the bell rings.

SETTING THE TEMPERATURE

If necessary, the factory pre-set temperature can be changed: To view the temperature, depress and hold “TEMP” button and press “START/STOP” button. Hold both buttons for 3 seconds for the pre-set temperature to be displayed.

To increase the temperature press “+” button; to decrease press “-” button.

To lock the temperature press the “START/STOP” button.

Changing the displayed temperature from “F” (Fahrenheit) to “C” (Celsius) -

Hold “TEMP” button and turn “OFF” and then “ON” the lighted switch on the front panel. To change back from “C” to “F”, repeat the same procedure. Setting the temperature is available in both modes “F” and “C”.

CLEANING INSTRUCTIONS

PREPARATION

Unplug appliance from electric power

Allow appliance to cool completely.

FREQUENCY

Daily

TOOLS

Plastic Scouring Pad, Soft-Bristled Fiber Brush

Mild Detergent, Non-Abrasive Cleanser

Clean Soft Cloth / Sponge

CLEANING

1. Allow the waffle baker to cool to room temperature.
2. Clean grids by using a soft-bristle brush to remove any remaining cooking residue.
3. Clean the outside of the Waffle Baker by wiping it with a soft, clean cloth dampened with warm water and a mild detergent. NEVER USE AN ABRASIVE CLEANSER.
4. Rinse by wiping with a soft, clean cloth dampened with clean water. Allow to air dry.
5. Re-season the grids after cleaning by spraying with a commercial waffle baker spray.

Procedure complete



CAUTION: BURN HAZARD

Allow waffle baker to cool completely before cleaning.

IMPORTANT:

DO NOT spill or pour water into controls.

DO NOT submerge appliance in water. This will damage internal components. Damage to internal components from water is NOT covered by warranty.

DO NOT use steel wool or metal scouring pads to clean appliance or drip tray.

Good sanitation is vital to the quality of the final food product. Be sure to clean in all corners and crevices where grease and other cooking debris can accumulate.

CLEANING INSTRUCTIONS (continued)



CAUTION: CHEMICAL BURN HAZARD

Waffle baker cleaner may cause serious burns on contact.

Wear protective clothing and safety glasses when using waffle baker cleaner.

Carefully read and follow directions and warnings on the label.



CAUTION: ELECTRIC SHOCK HAZARD

DO NOT submerge the waffle baker in water. If internal components become wet, the operator may suffer electrical shock, and the waffle baker will be damaged.

Use this procedure to clean any black residue (carbonization) remaining on the grids after the daily cleaning. Grids must be cleaned to remove the black residue, then re-seasoned, to ensure optimal performance.

PREPARATION

Unplug appliance from electric power

Allow appliance to cool completely.

FREQUENCY

As needed

TOOLS

Commercial Carbon Cleaner

1" Bristle Brush, Stiff Fiber Brush

Clean Soft Cloth / Sponge

REMOVE CARBONIZATION FROM GRIDS

1. Allow the waffle baker to cool to room temperature.
2. Liberally apply a commercial carbon cleaning solution to the grids with a new 1" bristle brush. Be extremely careful when applying carbon cleaning solution to the grid surfaces. DO NOT spill any carbon cleaning solution or other caustic cleaning product on yourself or adjacent work surfaces.

IMPORTANT: Read and follow all manufacturer's instructions when using commercial carbon cleaners. Carbon cleaner can be hazardous. It is the operator's responsibility to use the product safely, in the manner directed by the carbon cleaner manufacturer.

3. Close the upper grid and allow the appliance to stand for several hours, or overnight, depending upon the extent of the carbonization.
4. Thoroughly remove the carbon cleaning solution and black residue using a fiber brush. Wipe down the grid surfaces carefully and thoroughly with water so that no carbon cleaning solution remains on the grids.

IMPORTANT: Make certain water and cleaner are not allowed to get into internal parts. The waffle baker will be damaged if internal components are allowed to get wet.

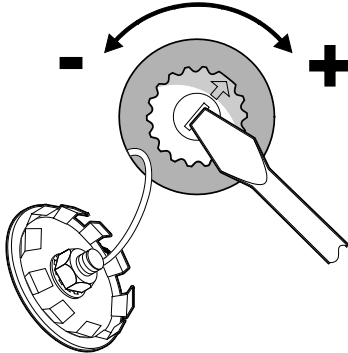
5. Clean the outside of the Waffle Baker by wiping it with a soft, clean cloth dampened with warm water and a mild detergent. NEVER USE AN ABRASIVE CLEANSER.
6. Rinse by wiping with a soft, clean cloth dampened with clean water. Allow to air dry.
7. Re-season the grids after cleaning by spraying with a commercial waffle baker spray.

Procedure complete



**CAUTION:
BURN HAZARD**

Exposed surfaces of the waffle baker may be hot to the touch and can cause burns. Waffle baker grids are very hot and will cause serious burns on contact.



Proper temperature for baking waffles is 390°F (200°C). Variations in altitude and/or batter mix may require a slightly different temperature for best results.

SET BAKING TEMPERATURE

Wells WB1 and WB2 waffle bakers are factory set for 390°F ±5°F (200°C ± 3°C).

CHECK TEMPERATURE

1. Use a digital thermometer with an oven probe.
2. Place the probe on the lower grid, then gently close the upper grid.
3. Press the power switch “ON”. Wait 15 minutes for the waffle baker to come up to heat, and for the temperature to stabilize.
4. Read the temperature on the digital thermometer.

ADJUST TEMPERATURE

1. Each waffle baker section has an individual temperature control. Pry round hole plug from back of that side of the waffle baker. **DO NOT** disconnect grounding tether from the hole plug.
2. Use a thin flat-blade screwdriver to turn the temperature adjustment dial. Rotate clockwise to increase temperature; counter-clockwise to decrease temperature.

NOTE: Make small incremental changes only.

3. Allow at least 3 minutes for temperature to stabilize before making another adjustment.
4. When desired temperature is reached reinstall hole plug.

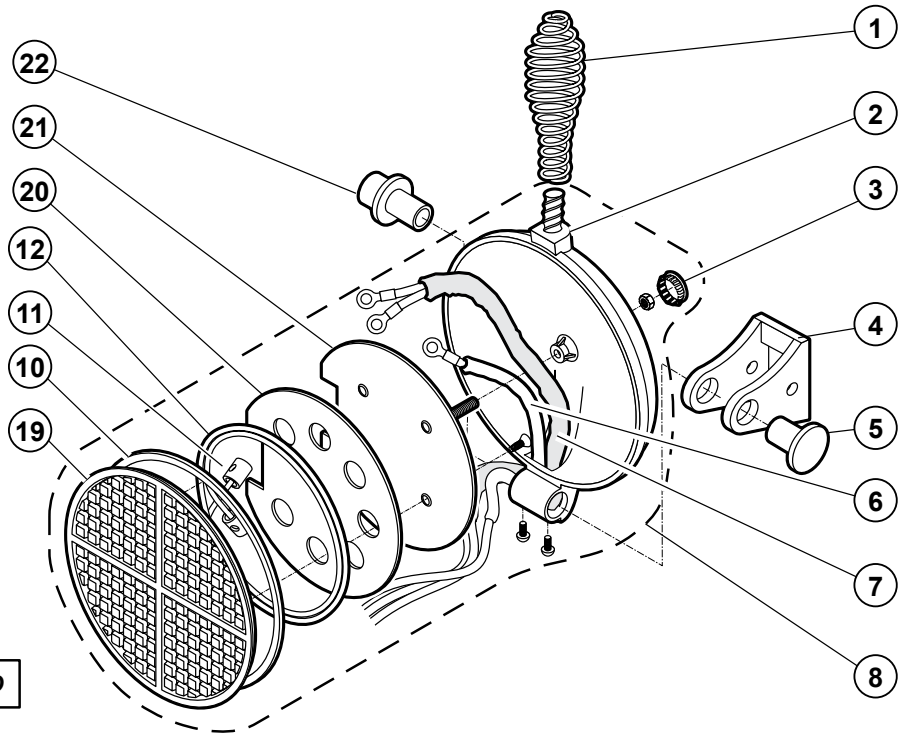
TROUBLESHOOTING

SYMPTOM	POSSIBLE CAUSE	SUGGESTED REMEDY
Will not heat	Power cord not plugged in, or circuit breaker tripped	Establish main power. Be sure appliance is plugged in
	Power switch off	Turn power switch on
	Internal component damage	Contact an authorized Wells Service Agency for repairs.
Does not maintain temperature	Excessive carbonization of grids	Decarbonize grids
	Internal component damage	Contact an authorized Wells Service Agency for repairs.

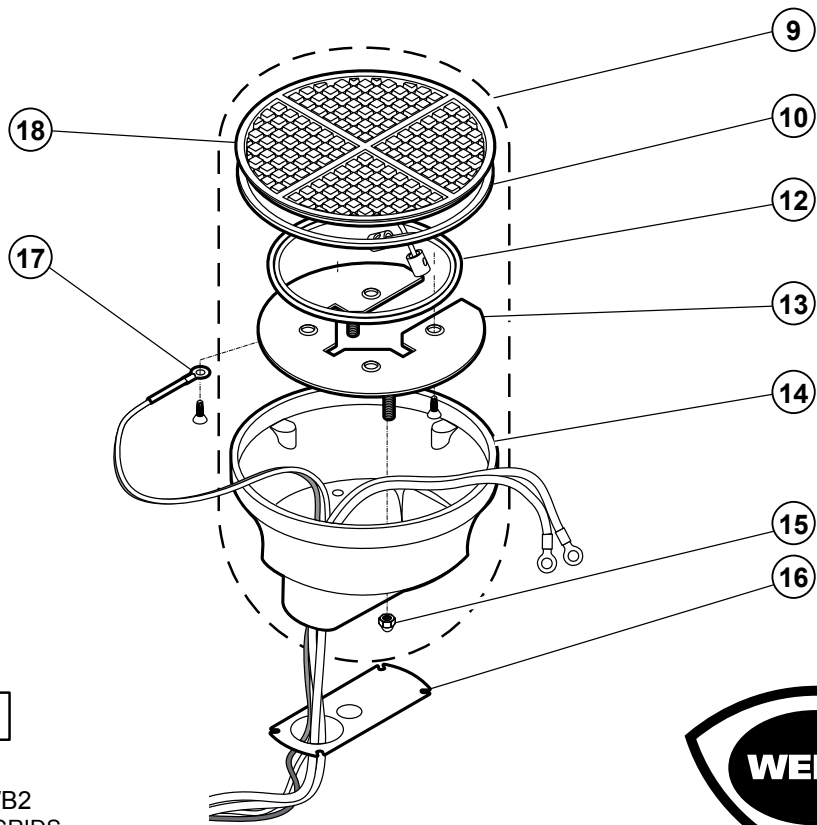
NOTE: There are no user serviceable components in the cabinet or cooking grids. In all cases of damage or malfunction, contact your Authorized Wells Service Agency for repairs.

EXPLODED VIEW: WB1 & WB2 WAFFLE BAKER GRIDS

WAFFLE BAKER GRIDS for WB1 and WB2



UPPER GRID



LOWER GRID

Model: WB1 & WB2
WAFFLE BAKER GRIDS

PL212



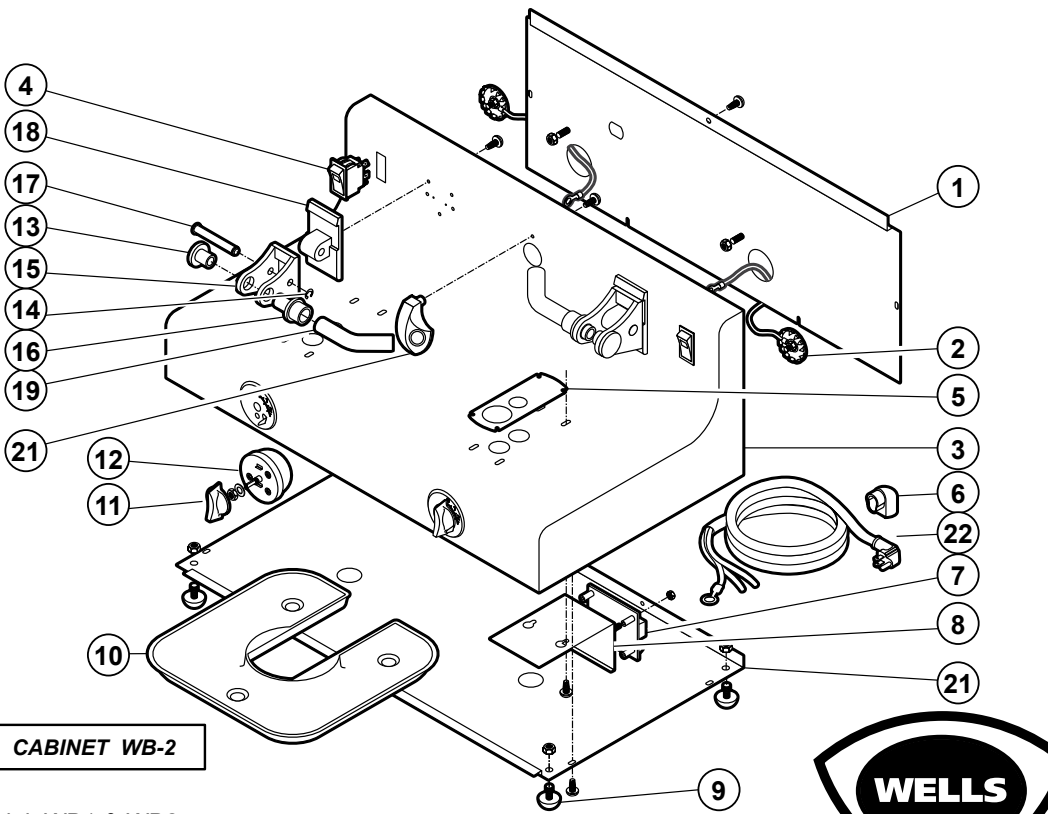
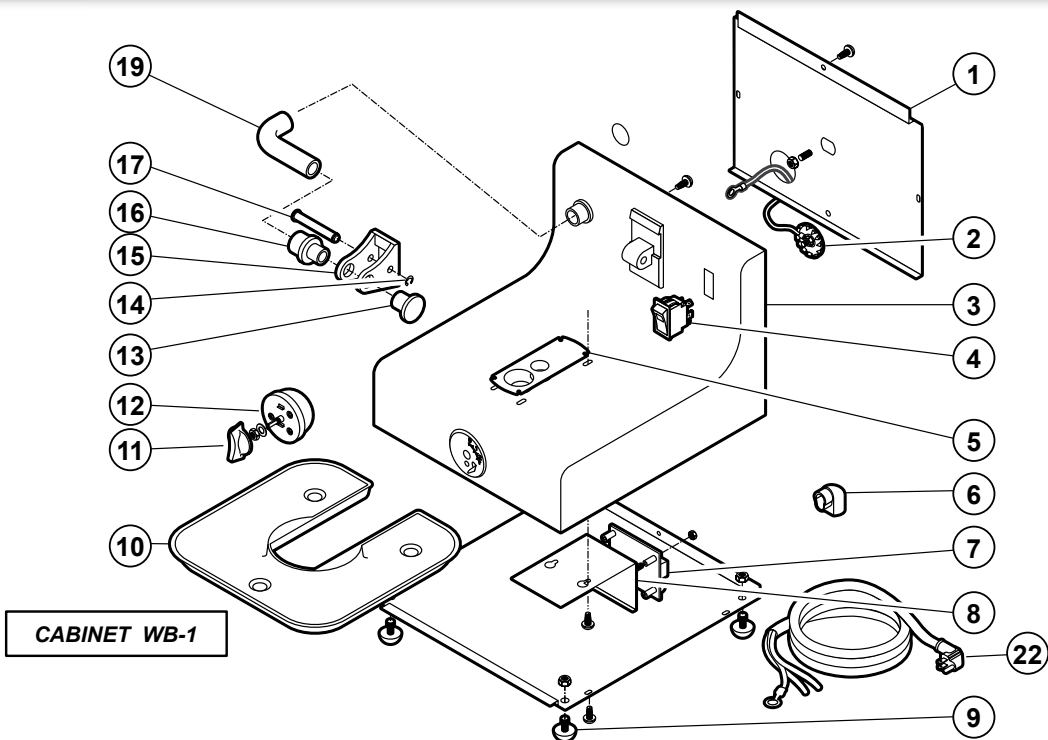
IL1776 Rev. B 6/23/11

M212 2M-37055 Owners Manual for WB-1 and WB-2 Waffle Bakers

PARTS LIST: WB1 & WB2 WAFFLE BAKER GRIDS

WB-1 & WB-2 WAFFLE BAKER GRIDS				
Fig No	Part No	Qty	Description	Application
1	2R-30335	1 / 2	HANDLE SPRING PLATED	WB1 / WB2
2	2F-30327	1 / 2	CAST TOP MACHINED & POLISHED	WB1 / WB2
3	2P-38628	1 / 2	PLUG HOLE 5/8 DIA.	WB1 / WB2
4	2F-30322	1 / 2	HINGE, WB1 & WB2	WB1 / WB2
5	2V-30328	1 / 2	PLUG HINGE MACH & PLT	WB1 / WB2
6	1O-34573	1 / 2 FT	SLEEVING GLASS # 5	WB1 / WB2
7	2I-30284	1 / 2 FT	GASKET TUBING RUBBER	WB1 / WB2
8	WS-58881	1 / 2	GRID ASSY TOP STD	WB1 / WB2
9	DD-61743	1 / 2	GRID ASSY BOT 120V STD	WB1 / WB2
	DD-61742		GRID ASSY BOT 208/240V STD	WB1 / WB2
10	2I-30337	2 / 4	GASKET GRID TOP & BOT	WB1 / WB2
11	2K-307280	2 / 4	BUSHING ELEM TERM INSULATOR	WB1 / WB2
12	WS-Z16250	2 / 4	KIT-WB ELEMENT 307811UL	WB1 / WB2
	2N-Z14467	1 / 2	ELEMENT 450W, 220V	WB1-TM-220CE, WB2-TM-220CE
	2N-Z14468	1 / 2	ELEMENT 500W, 220V	WB1-TM-220CE, WB2-TM-220CE
13	B8-30445	1 / 2	PLATE CLAMPING BOTTOM	WB1 / WB2
14	2F-30326	1 / 2	CAST BOTTOM MACHINED & POLISHED	WB1 / WB2
15	2C-38627	2 / 4	NUT 8-32 MS ACORN CAP	WB1 / WB2
16	2I-30338	1 / 2	GASKET BOT CASTING	WB1 / WB2
17	WS-507279	1 / 2	PROBE TEMP WB-SERIES	WB1 / WB2
18	2F-307657	1 / 2	GRID BOT MACHASRECD	WB1 / WB2
19	2F-38917	1 / 2	GRID TOP MACHASRECD	WB1 / WB2
20	2G-30430	1 / 2	PAD INSULATION TOP	WB1 / WB2
21	B8-30431	1 / 2	PLATE CLAMPING TOP	WB1 / WB2
22	2F-30329	1 / 2	CAST COND MACH&PLT REC 33	WB1 / WB2

EXPLODED VIEW : WB1 & WB2 WAFFLE BAKER CABINETS



Model: WB1 & WB2
WAFFLE BAKER CABINET

PL212



IL1777 Rev. C 6/17/11

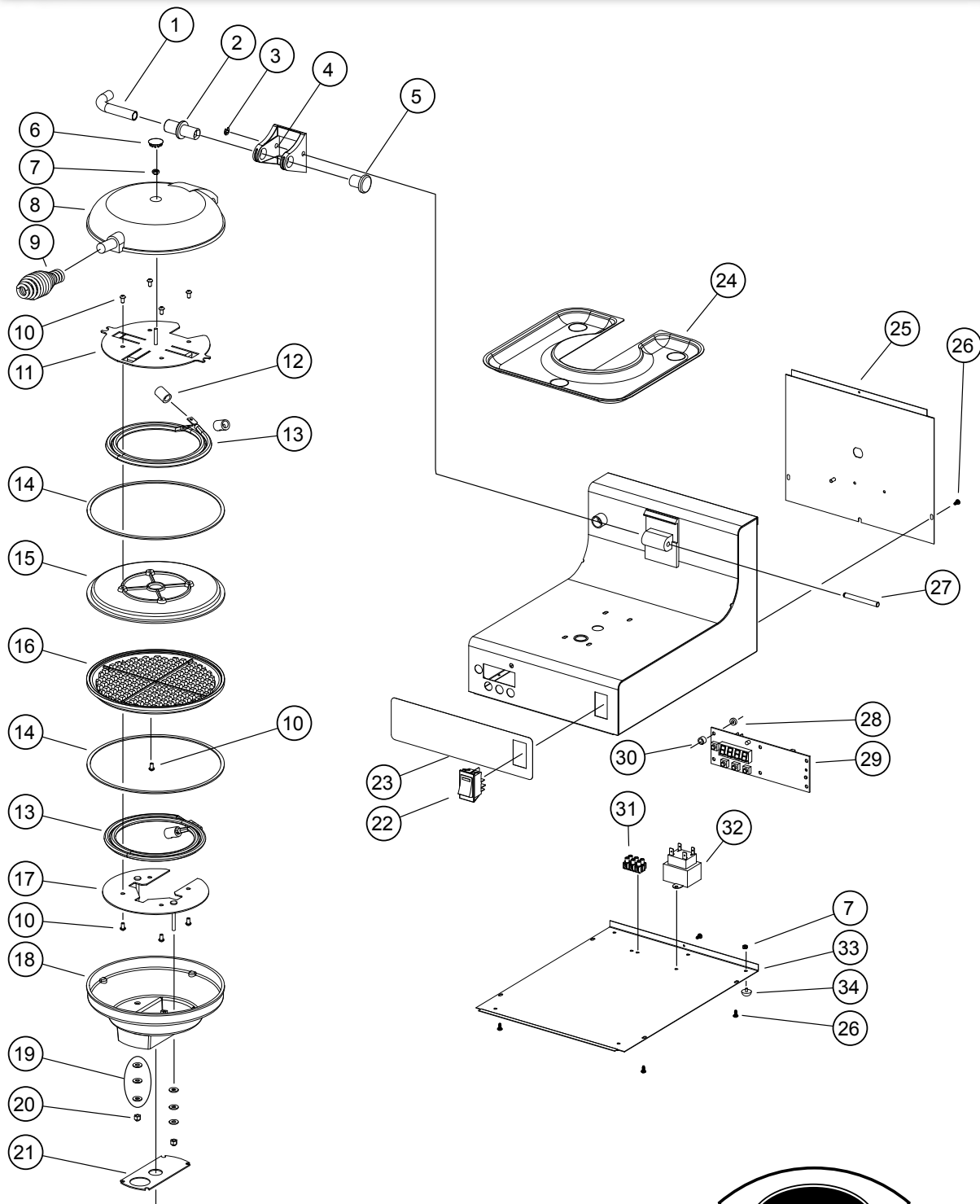
M212 2M-37055 Owners Manual for WB-1 and WB-2 Waffle Bakers

PARTS LIST: WB1 & WB2 WAFFLE BAKER CABINETS

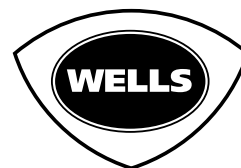
WB-1 & WB-2 WAFFLE BAKER CABINET					
Fig No	Part No	Qty		Description	Application
		WB1	WB2		
1	B8-Z12400	1		REAR PANEL	WB-1
	B8-Z12401				WB-2
	B8-Z13851		1	PANEL, REAR	WB2WHNT, before serial no:WB2L0612A001
	B8-Z15519			ASM-PANEL WB-2-WHNT	WB2WHNT, after serial no:WB2L0612A001
2	B8-41064	1	2	ASSY HOLE PLUG	
3	B8-33653	1		SHELL ASSY SINGLE BAKER	
	B8-31551			SHELL ASSY DOUBLE BAKERS	
	B8-40621		1	SHELL ASSY WB-2 W/O TIMER	WB2WHNT, before serial no:WB2L0612A001
	B8-Z15518			SHELL AY WB2 W/O TIMER	WB2WHNT, after serial no:WB2L0612A001
4	2E-35127	1	2	SWITCH ROCK PLAS BEZEL	WB2WHNT, before serial no:WB2L0612A001
	2E-30330			SWITCH ON OFF TOGGLE	WB2WHNT, after serial no:WB2L0612A001
	2E-304030			SWTICH ROCK ('I/O' MARKING)	WB2E-230V
5	2I-30338	1	2	GASKET BOT CASTING	
6	2K-31217	1		STRAIN RELIEF 90 DEG	mfg After 3/2012
	2K-Y3240		1		STRAIN RELEIF SR 17-2
	2K-Z15511			STRAIN REL-LIQ TIGHT.87	WB2WHNT, before serial no:WB2L0612A001
7	2T-307647	1	2	CONTROL TEMP W/RTV	
8	B8-307482	1	2	BRACKET CONTROL MOUNTING	
9	2A-45728	4	4	FOOT RUBBER LLW LLF	
10	B8-38629	1	2	DRIP TRAY WAFFLE BAKER	
11	WS-50446	1	2	TIMER WAFFLE BAKER W/KNOB	
	2R-30447			KNOB BELL TIMER ROHS	
12	PS-WL0239	1	2	KIT, TIMER BELL BAKERS w/KNOB	
13	2V-30328	1	2	PLUG HINGE	
14	2C-30222	2	2	RETAINER E-RING .179 ID	
15	2F-30322	1	2	HINGE AS RECD WB1 & 2	
16	2F-30329	1	2	CAST COND MACH&PLT	
17	2A-30333	1	2	PIN HINGE BAKER	
18	WS-60332	1	2	HINGE KIT WB	
19	B8-35552	1		CONDUIT SOLID LS	
	1M-35547		2	CONDUIT SOLID WB	
20	B8-31856		1	PANEL BOT WB2 ROHS	
21	2E-32101		1	HSG FLEX COND MACH	
22	2E-Z13852			CPRD SET, 12-3 SKTP 5-20P 20 AMP	WB2WH-120V
					WB2WHNT, before serial no:WB2L0612A001
	B8-307352			CORD SET WB2 120V	WB2-120
	2E-Z15407		1	CORD SET ASY L5-20P	WB2WHNT, after serial no:WB2L0612A001
	B8-307354			CORD SET WB2 208/240V	WB2, WB2SS
	B8-307351			CORD SET WB2 208/240V 6FT	WB2CD
	B8-WL0295			ASSEMBLY, CORDSET	WB2-TM-220CE, WB2-230
	B8-307357	1		CORD SET WB1 120V	WB1-120
B8-307353			CORD SET WB1 240V	WB1-240	

M212 2M-37055 Owners Manual for WB-1 and WB-2 Waffle Bakers

EXPLODED VIEW : WB1E ELECTRONIC WAFFLE BAKER



Model: WB1E,
Electronic Waffle Baker



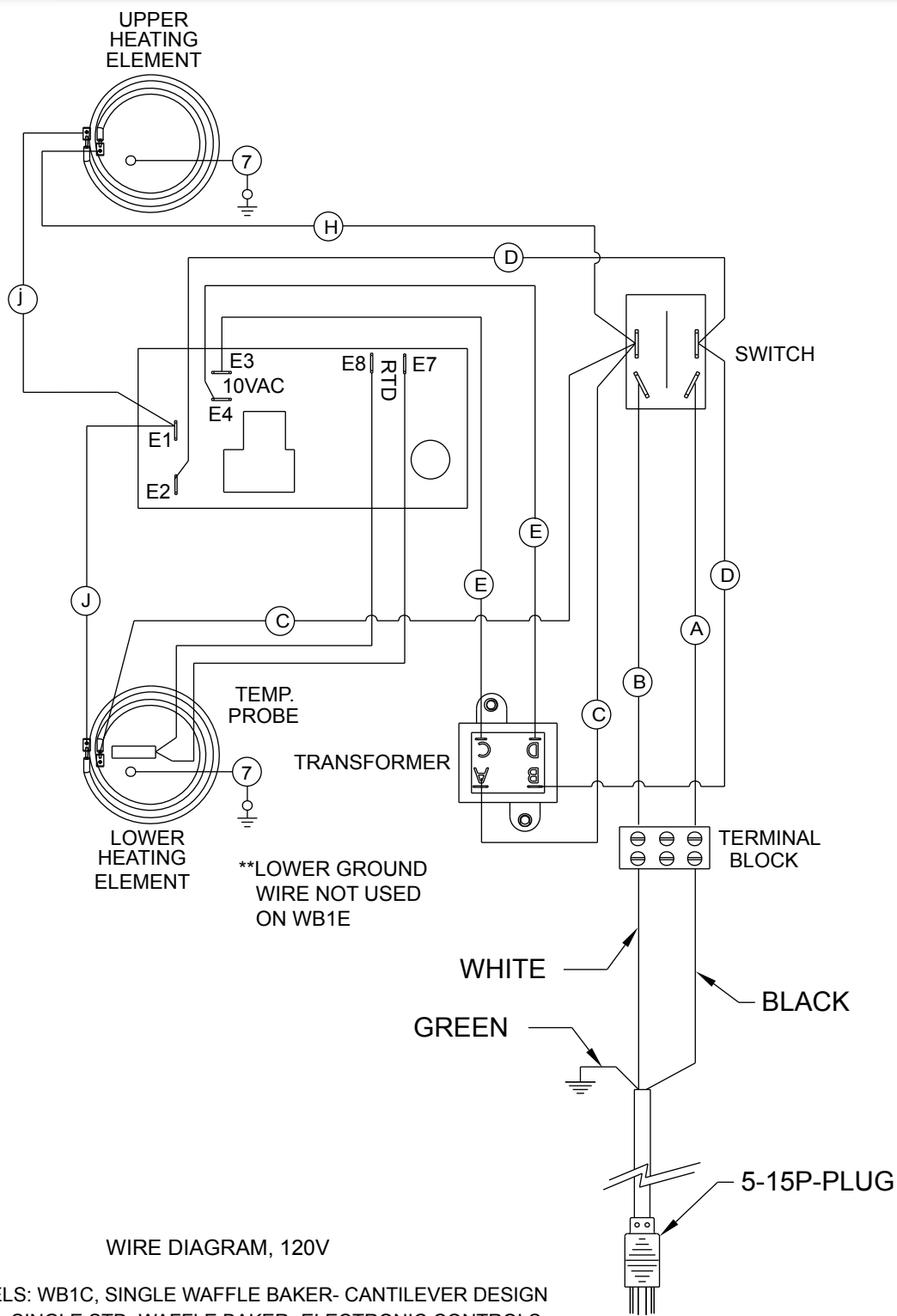
SK2679 Rev. - 8/16/13

M212 2M-37055 Owners Manual for WB-1 and WB-2 Waffle Bakers

PARTS LIST: WB1E ELECTRONIC WAFFLE BAKER

WB1E & WB2E, ELECTRONIC WAFFLE BAKER					
Fig No	Part Number	WB1E	WB2E	Description	Application
1	B8-35552	1	2	CONDUIT SOLID	
2	2F-30329	1	2	CAST COND MACH&PLT REC 33	
3	2C-30222	1	2	RETAINER E RING .179 ID	
4	2F-30322	1	2	HINGE AS RECD WB-1 -2	
5	2V-30328	1	2	PLUG HINGE MACH&PLT	
6	2P-38628	1	2	PLUG HOLE 5/8 DIA NI	
7	2C-31053	9	14	NUT 8-32 KEPS MS NICKEL	
8	2F-30327	1	2	CAST TOP MACHINED & POLIS	
9	2R-30335	1	2	HANDLE SPRING PLATED	
10	2C-31715	13	26	SCREW 8-32X5/16 PH RD HD	
11	B8-Z16245	1	2	PLATE, ELEMENT CLAMP TOP	
12	2K-307280	4	8	BUSHING ELEM TERM INSULAT	
13	2N-307811UL	2	4	ELEM 120V 450W + 2 TERM S	
14	2I-30337	2	4	GASKET GRID TOP&BOT	
15	2F-38917	1	2	GRID TOP CAST AND MACH AS	
16	2F-307657	1	2	GRID BOTTOM CAST/MACHINED	
17	B8-Z16246	1	2	PLATE,ELEMENT CLAMP BOTTM	
18	2F-30326	1	2	CAST BOTTOM MACHINED &POL	
19	2C-32242	6	12	WASHER ZI LRG PATTERN #10	
20	2C-38627	2	4	NUT 8-32 MS ACORN CAP NI	
21	2I-30338	1	2	GASKET BOT CASTING	
22	2E-35127	1	2	SWITCH ROCK PLAS BEZEL W/	120V, 240V
	2E-304030			SWITCH ROCK ('I/O' MARKING	230V
23	2M-Z16571		1	OVERLAY, TIME/TEMP-WB2C	
	2M-Z16572	1		OVERLAY, TIME/TEMP WB1C	
24	B8-38629	1	2	TRAY DRIP WAFFLE BAKER	
25	B8-Z16411	1		PANEL-REAR-WB1E	
	B8-Z17180		1	PANEL, REAR WB2E	
26	2C-33935	7	8	SCREW 6ABX5/16 PH PAN SMS	
27	2A-30333	1	2	PIN HINGE BAKER	
28	2K-08-07-0004	6	12	SPACER ROUND NYLON	
29	B8-Z16898	1	2	TIMER/TEMP CONTRL WB1C/2C	
30	2K-Z1971	6	12	SPACER .257X.75X.25 NYLON	
31	2E-Z5375	1	1	TERMINAL BLOCK-3 POLE	
32	2E-05-07-0351	1	2	TRANSFORMER 115/10V 6VA	120V
	2E-05-07-0350			TRANSFORMER 230V/10V 6VA	240V
	2E-Z2974			TRANSFORMER 230V/10V CE	230V
33	B8-Z16410	1		PANEL-BTM WB1E	
	B8-Z17179		1	PANEL-BTM WB2E	
34	2A-45728	4	4	FOOT RUBBER LLW LLF	
NI	2E-34538		1	CORD SET 125V NEMA 5-20P	120V
NI	2E-35539	1		CORD SET 120V, 15A 16GA 4FT	120V
NI	2E-35540	1	1	CORD SET 6-15P 16/3W 4FT	240V
NI	2E-72920	1		CORD & CAP EURO 3COND (CE	WB1E-230V
NI	D5-MDW088		1	CORDSET ASSY., CEE7/VII	WB2E-230V
NI	2J-Z16743	1	2	PROBE-TEMP RTD	
NI	2K-31217	1		STRAIN RELIEF 90°DEG	
NI	2K-Y3240		1	BUSHING ST 17-2	
NI	2K-70648	1		STRAIN RELIEF SMALL	WB1E-230V
NI	2K-76118		1	STRAIN RELIEF STR	WB2E-230V

WIRING DIAGRAM

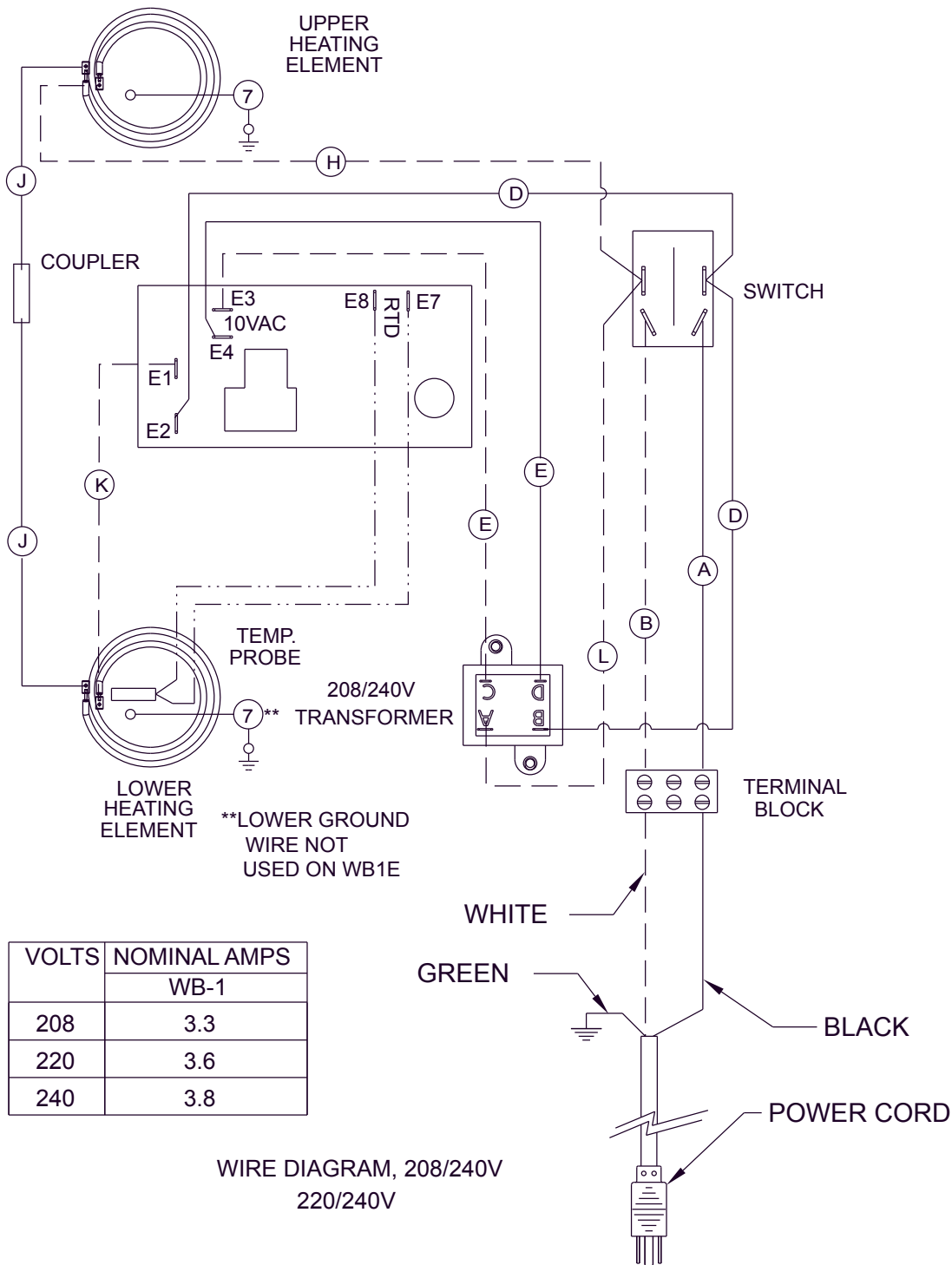


WIRE DIAGRAM, 120V

MODELS: WB1C, SINGLE WAFFLE BAKER- CANTILEVER DESIGN
 WB1E, SINGLE STD. WAFFLE BAKER- ELECTRONIC CONTROLS

WELLS MANUFACTURING INC.
 SK2634 REV. B DR: WEB 09/16/13

WIRING DIAGRAM



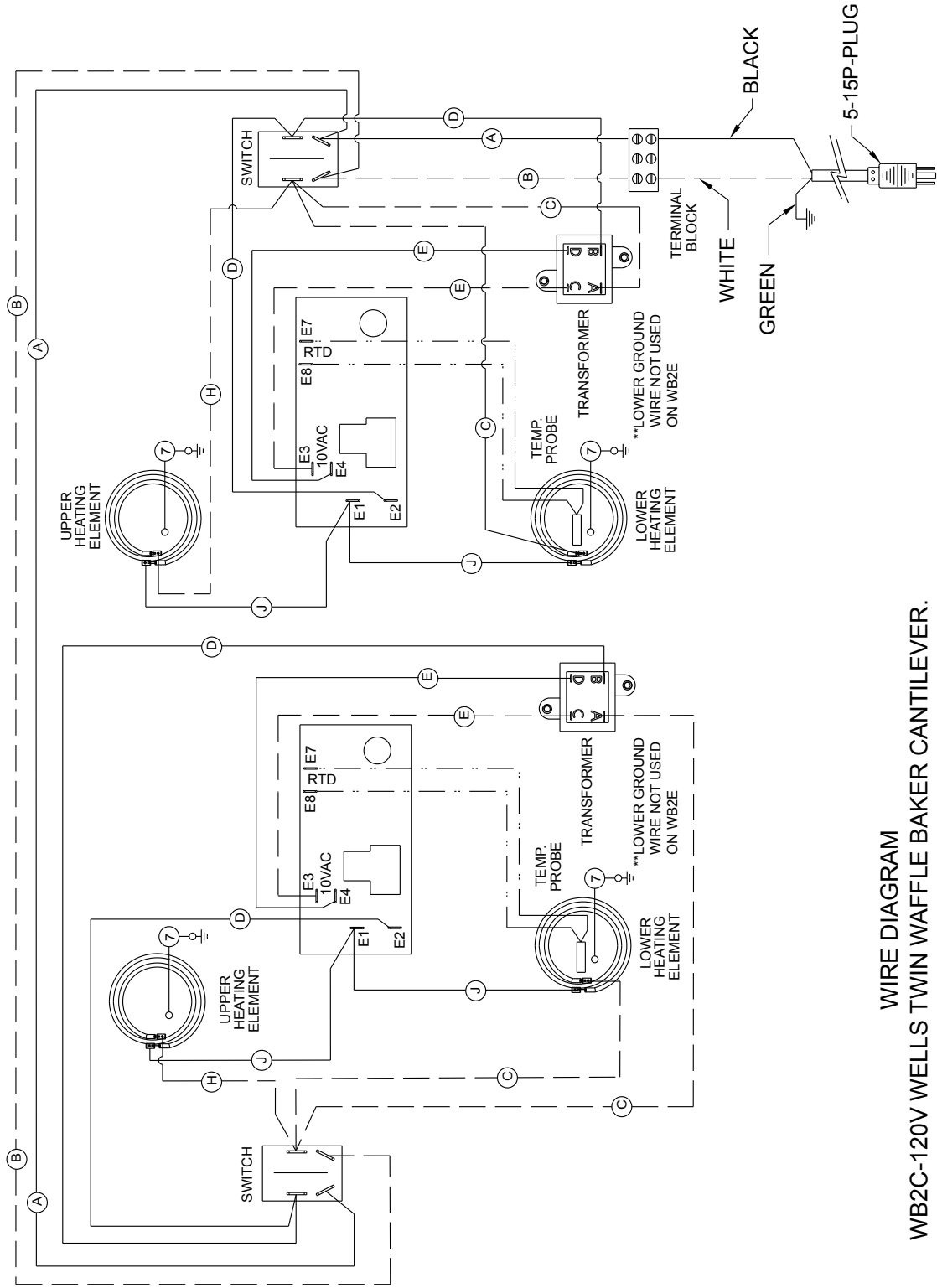
VOLTS	NOMINAL AMPS
	WB-1
208	3.3
220	3.6
240	3.8

WIRE DIAGRAM, 208/240V
220/240V

MODELS: WB1C, SINGLE WAFFLE BAKER- CANTILEVER DESIGN - ELECTRONIC CONTROLS - 208/240V, 220/240V
WB1E, SINGLE STD. WAFFLE BAKER- ELECTRONIC CONTROLS - 208/240V, 220/240V

SK2695 10/16/13 REV (-)

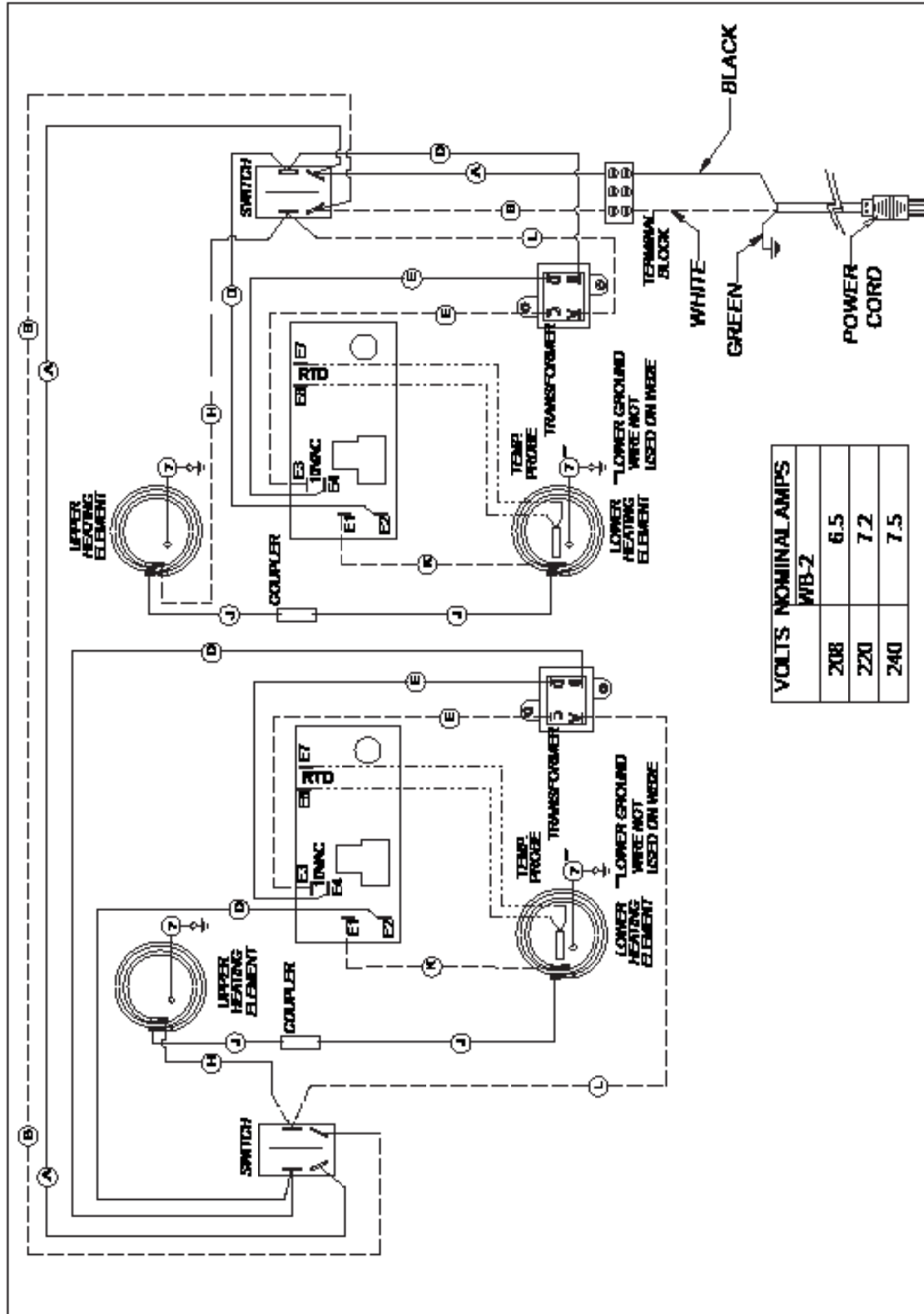
WIRING DIAGRAM



WIRE DIAGRAM
 WB2C-120V WELLS TWIN WAFFLE BAKER CANTILEVER.
 WB2E-120V WELLS TWIN STD WAFFLE BAKER W/
 ELECTRONIC CONTROLS

WELLS MANUFACTURING INC.
 SK2639 REV. B DR: WEB 09/16/13

WIRING DIAGRAM



VOLTS NOMINAL AMPS	
WB-2	
208	6.5
220	7.2
240	7.5

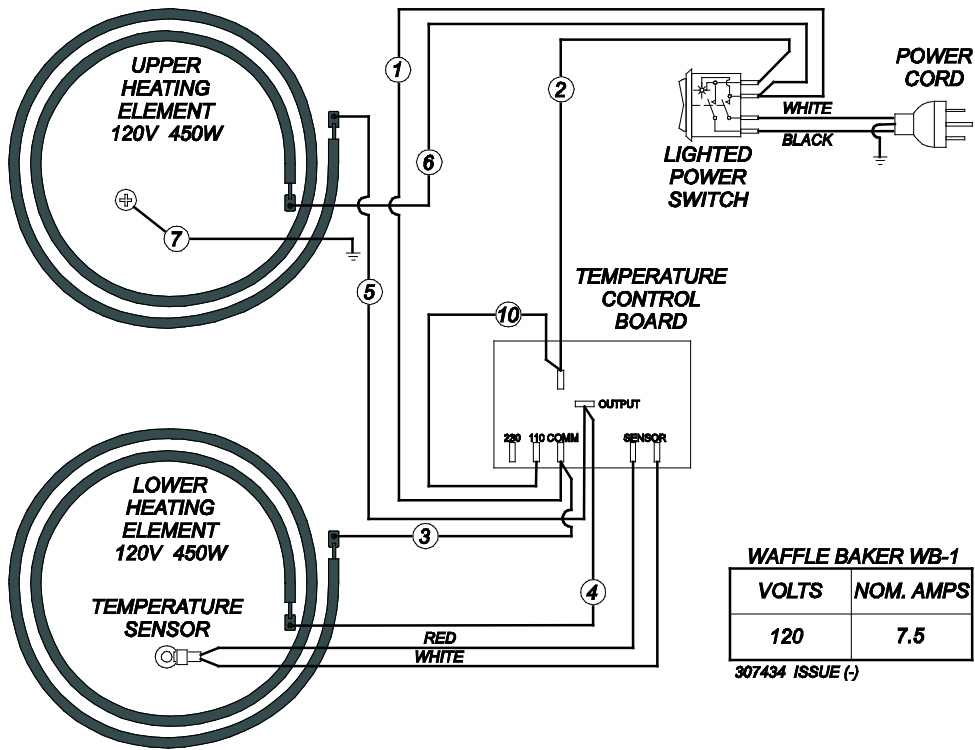
WELLS MANUFACTURING INC.
 SK2086 REV. C DR. WEB 02/14/14

WIRE DIAGRAM
 WEZG WELLS TWIN WAFFLE BAKER CANTILEVER - ELECTRONIC CONTROLS - ZIBZ240V, Z2IBZ40V
 WEZE WELLS TWIN STD WAFFLE BAKER - ELECTRONIC CONTROLS - ZIBZ240V, Z2IBZ40V

WIRING DIAGRAM

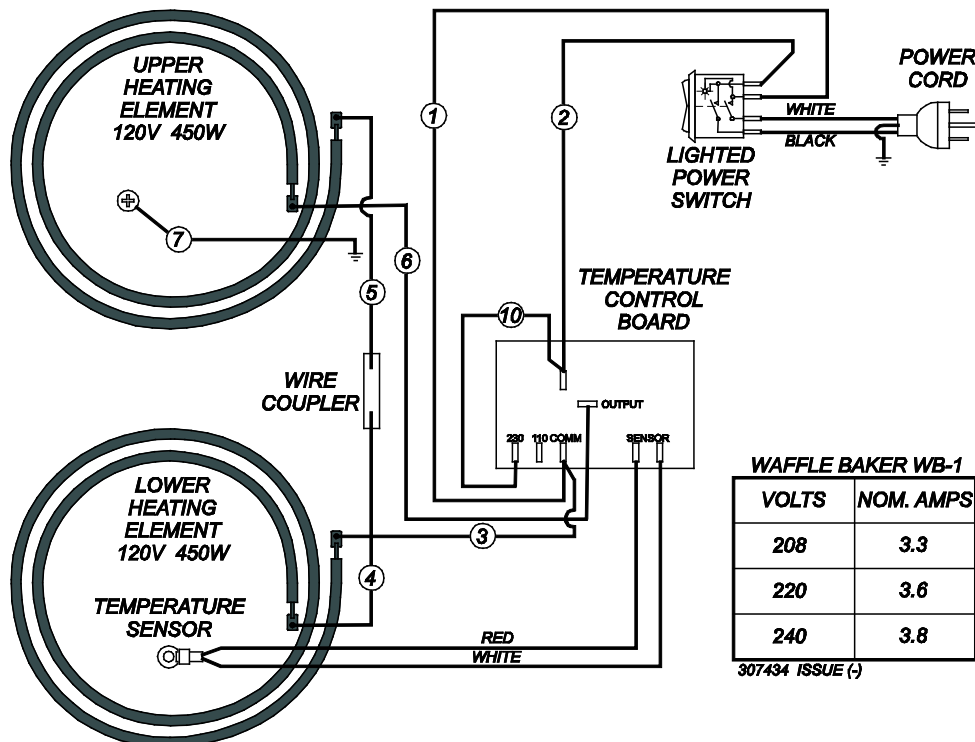
MODEL WB-1 SINGLE WAFFLE BAKER

120V SINGLE PHASE



MODEL WB-1 SINGLE WAFFLE BAKER

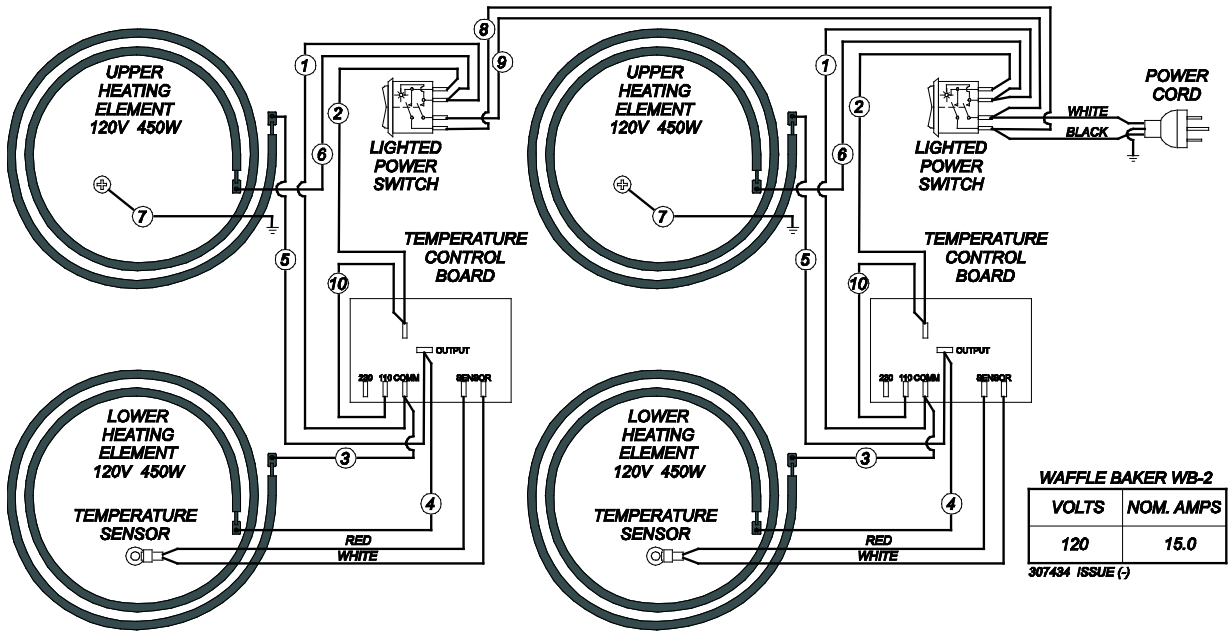
208-240V SINGLE PHASE



WIRING DIAGRAM

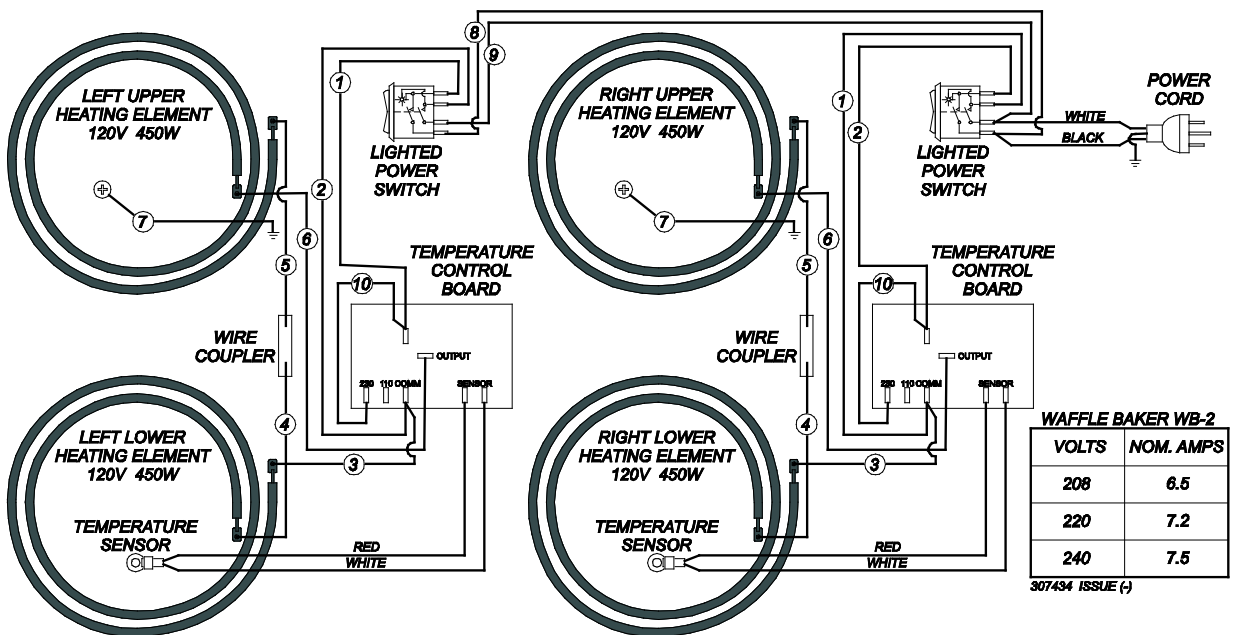
MODEL WB-2 DUAL WAFFLE BAKER

120V SINGLE PHASE



MODEL WB-2 DUAL WAFFLE BAKER

208-240V SINGLE PHASE





Wells Bloomfield proudly supports CFESA
Commercial Food Equipment Service Association

SERVICE TRAINING - QUALITY SERVICE



CUSTOMER SATISFACTION



WELLS MANUFACTURING

10 Sunnen Dr., St. Louis, MO 63143

telephone: 314-678-6314

fax: 314-781-2714

www.wellsbloomfield.com