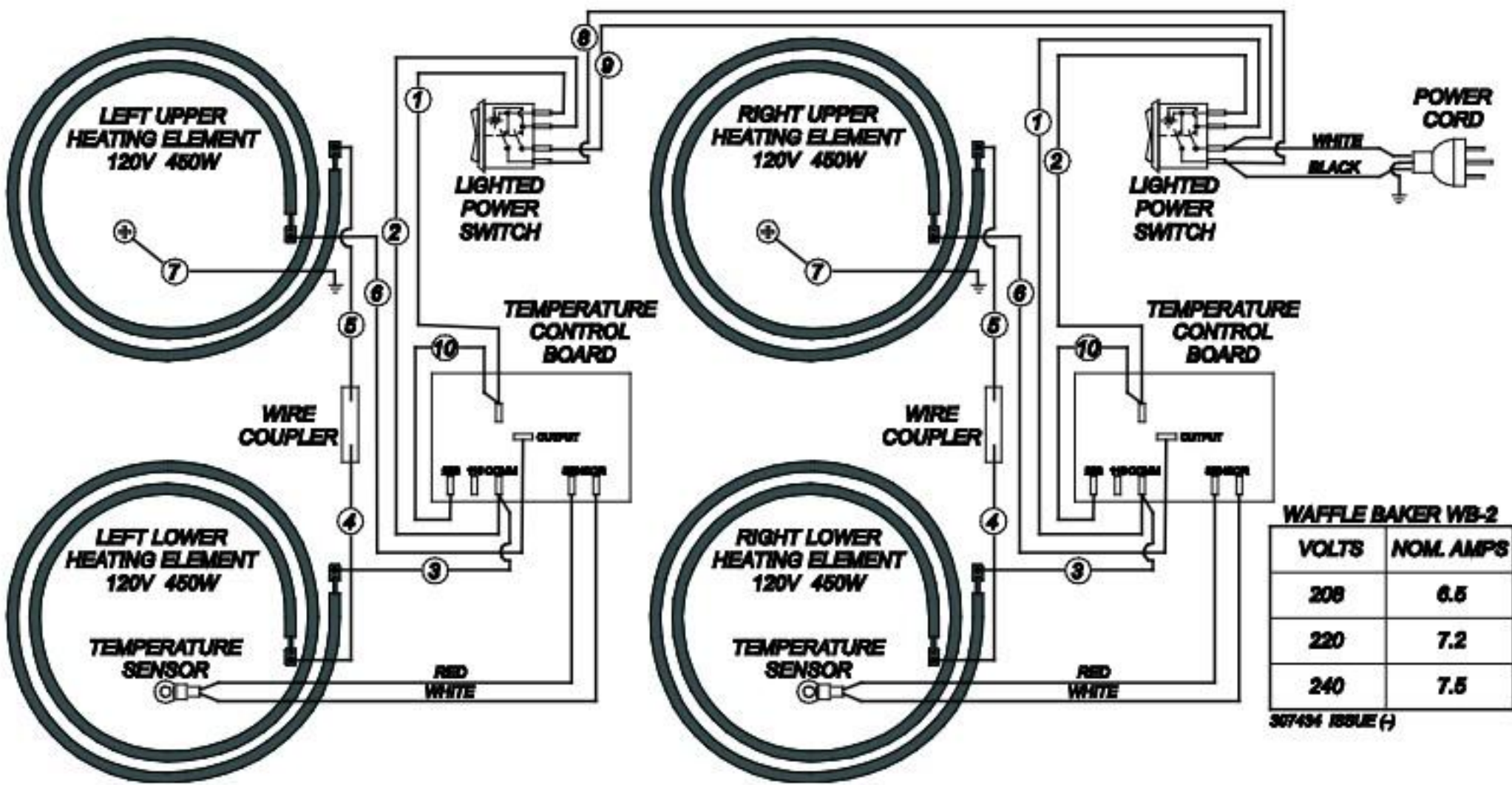


MODEL WB-2 DUAL WAFFLE BAKER

208-240V SINGLE PHASE



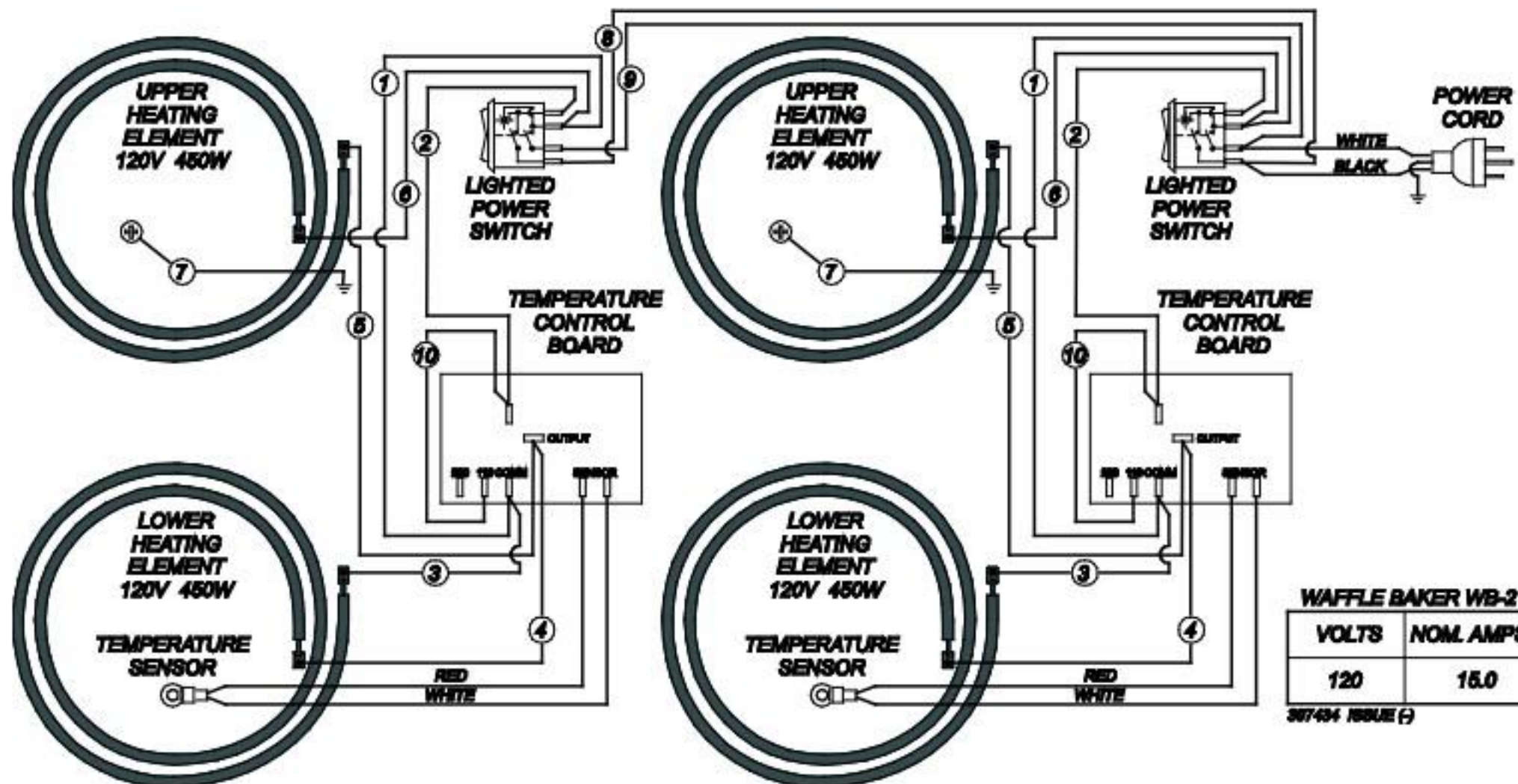
WAFFLE BAKER WB-2

VOLTS	NOM. AMPS
208	6.5
220	7.2
240	7.5

307434 ISSUE (-)

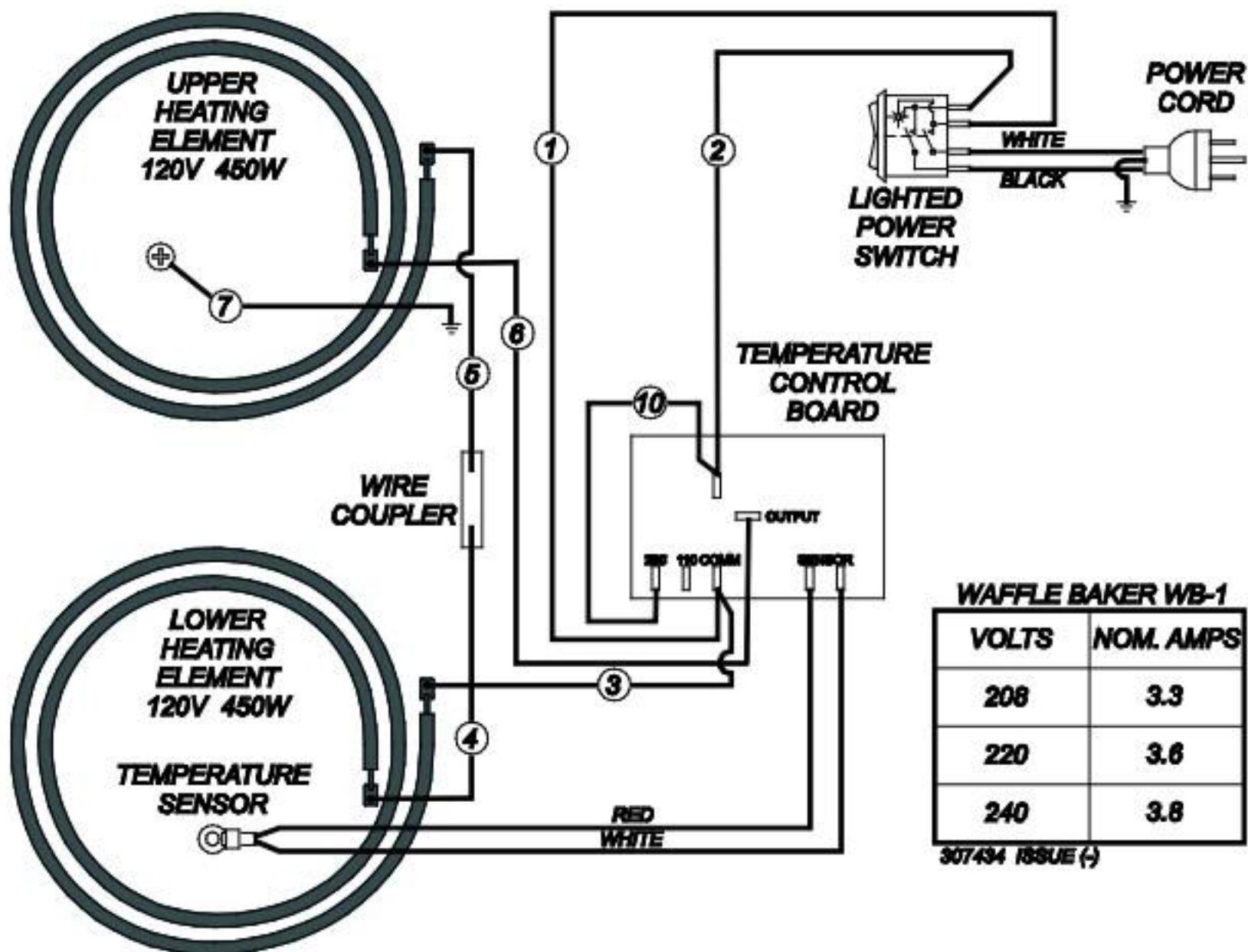
MODEL WB-2 DUAL WAFFLE BAKER

120V SINGLE PHASE



MODEL WB-1 SINGLE WAFFLE BAKER

208-240V SINGLE PHASE



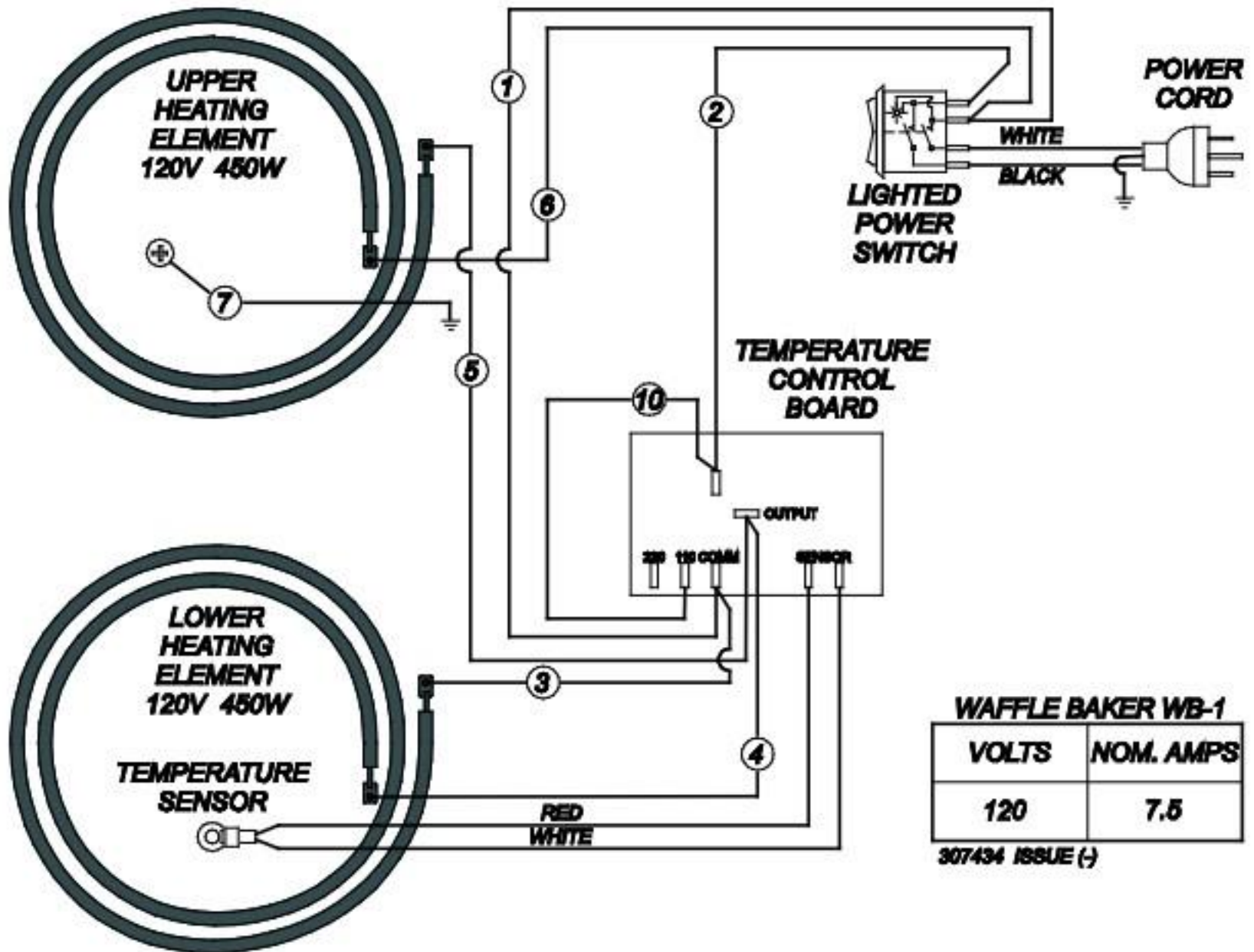
WAFFLE BAKER WB-1

VOLTS	NOM. AMPS
208	3.3
220	3.6
240	3.8

307434 ISSUE (-)

MODEL WB-1 SINGLE WAFFLE BAKER

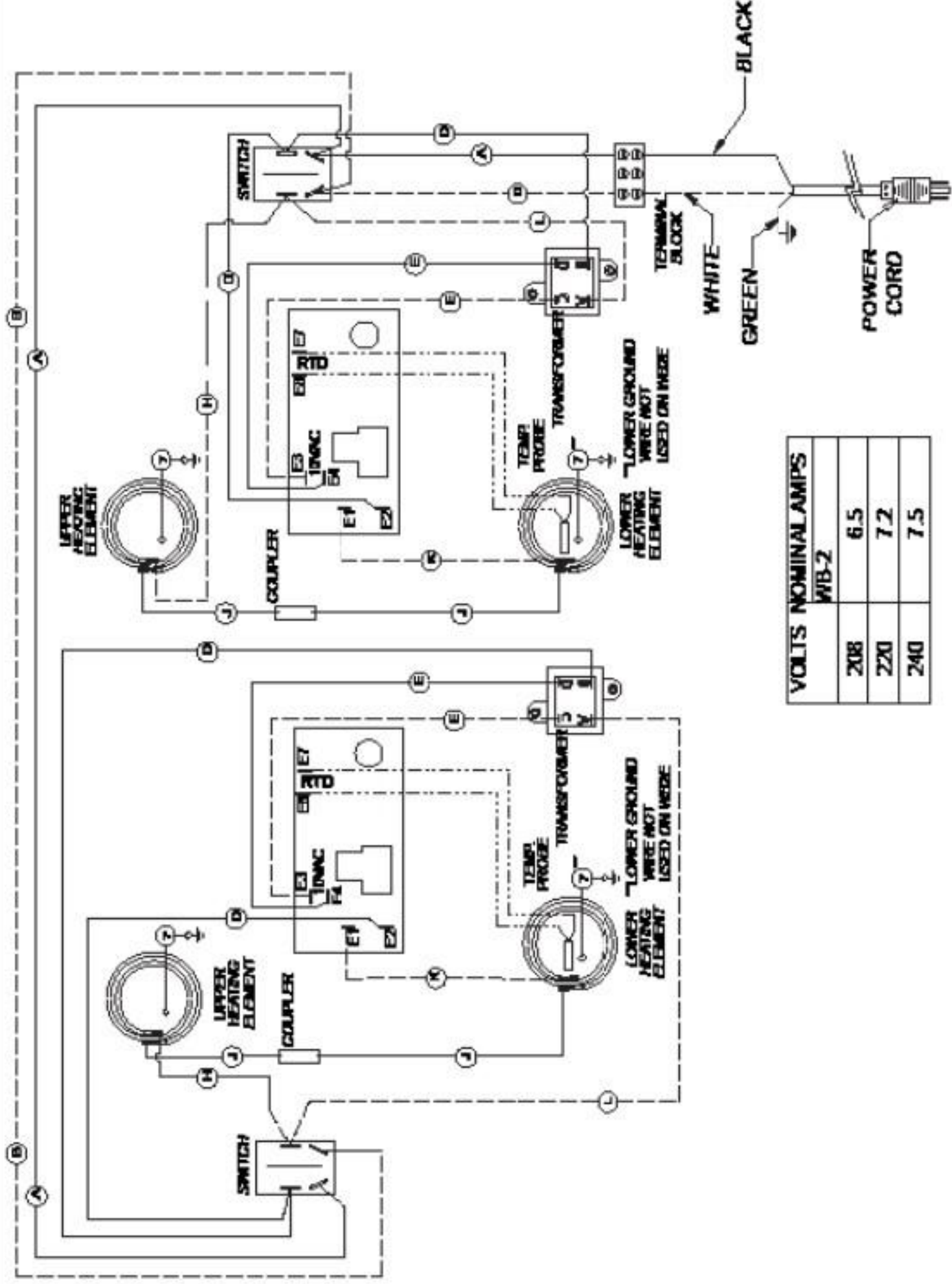
120V SINGLE PHASE



WAFFLE BAKER WB-1

VOLTS	NOM. AMPS
120	7.5

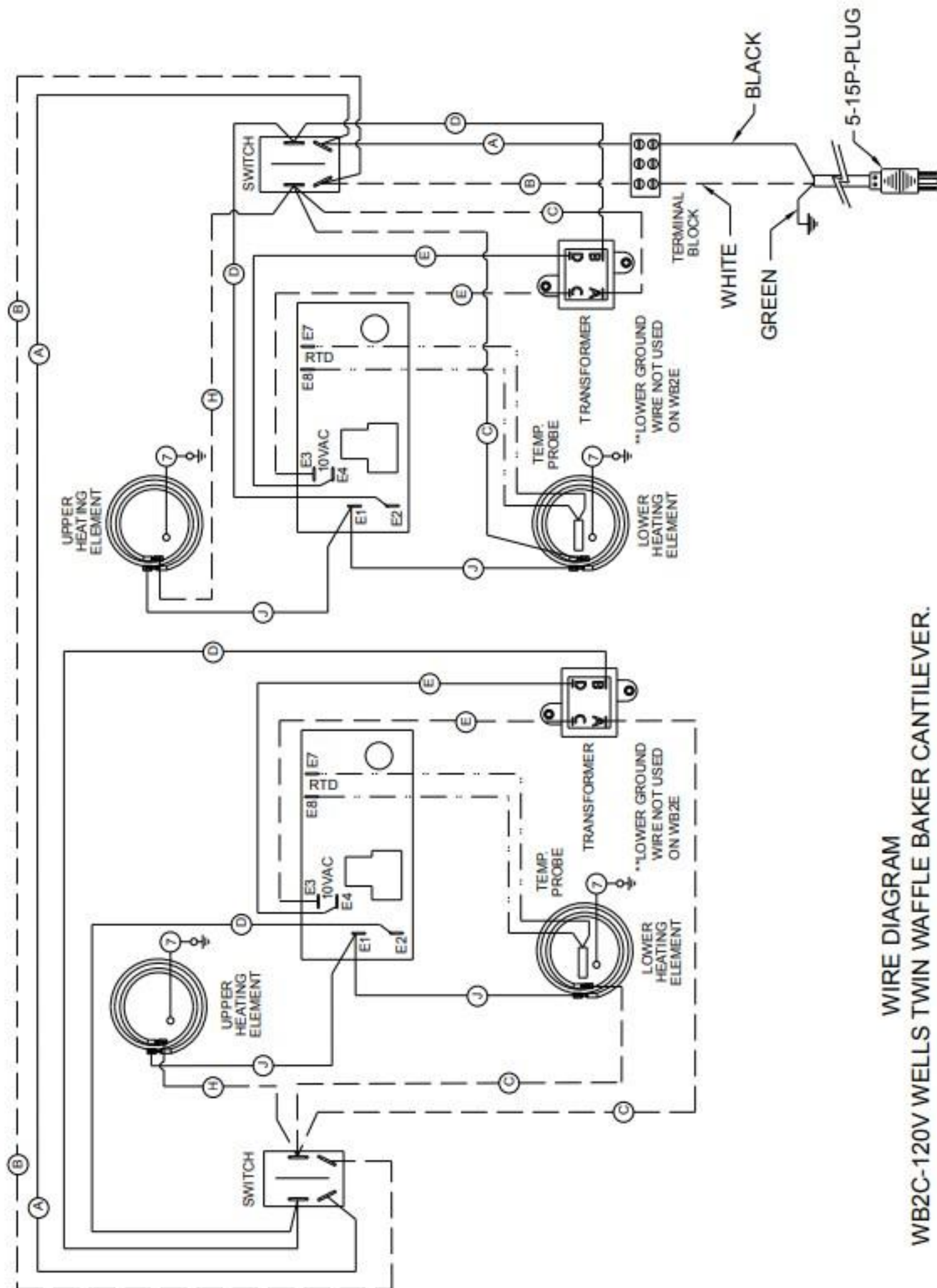
307434 ISSUE (-)



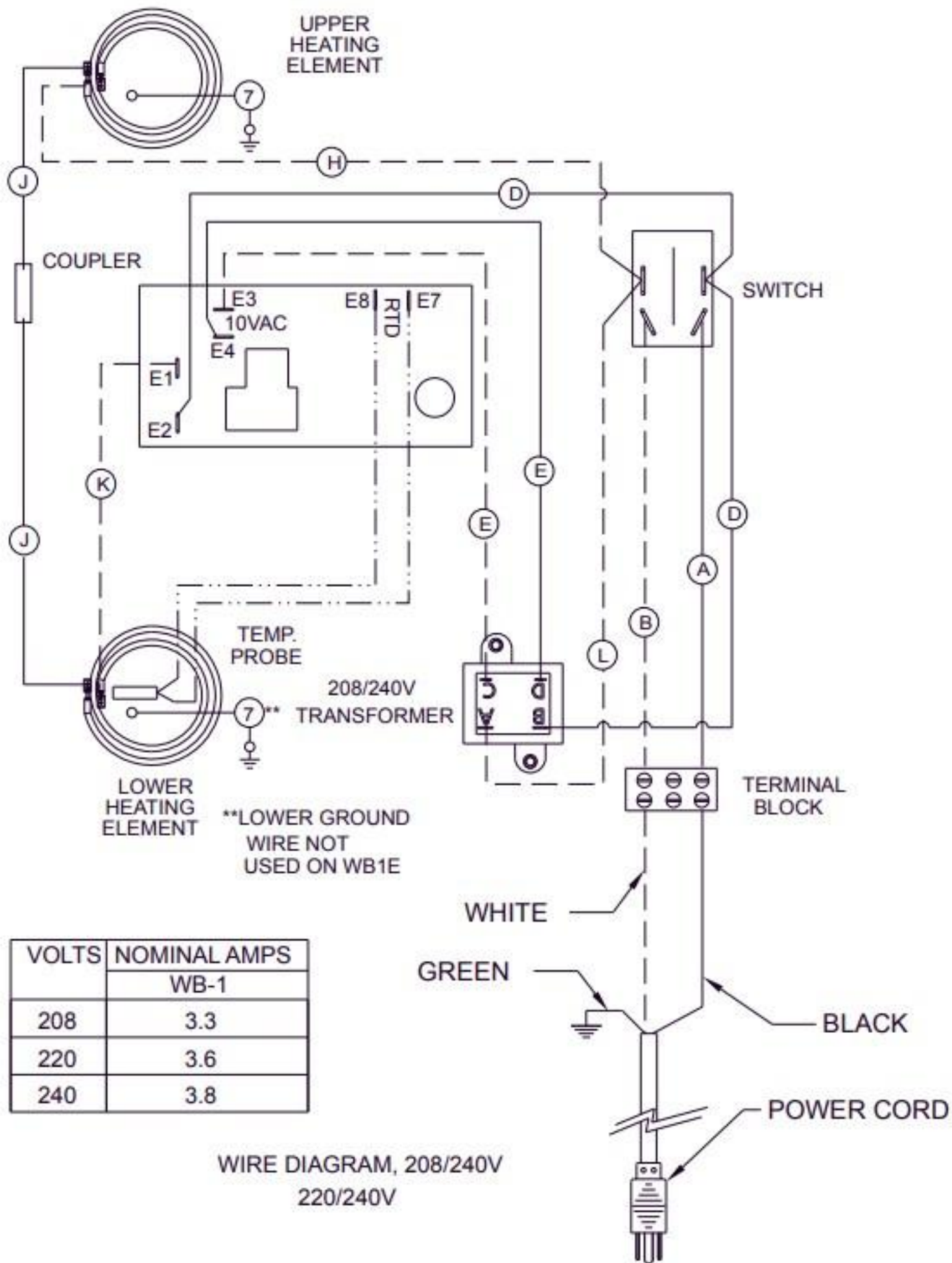
VOLTS NOMINAL AMPS	
WB-2	
208	6.5
220	7.2
240	7.5

LOWER GROUND WIRE NOT USED ON WIRE

LOWER GROUND WIRE NOT USED ON WIRE



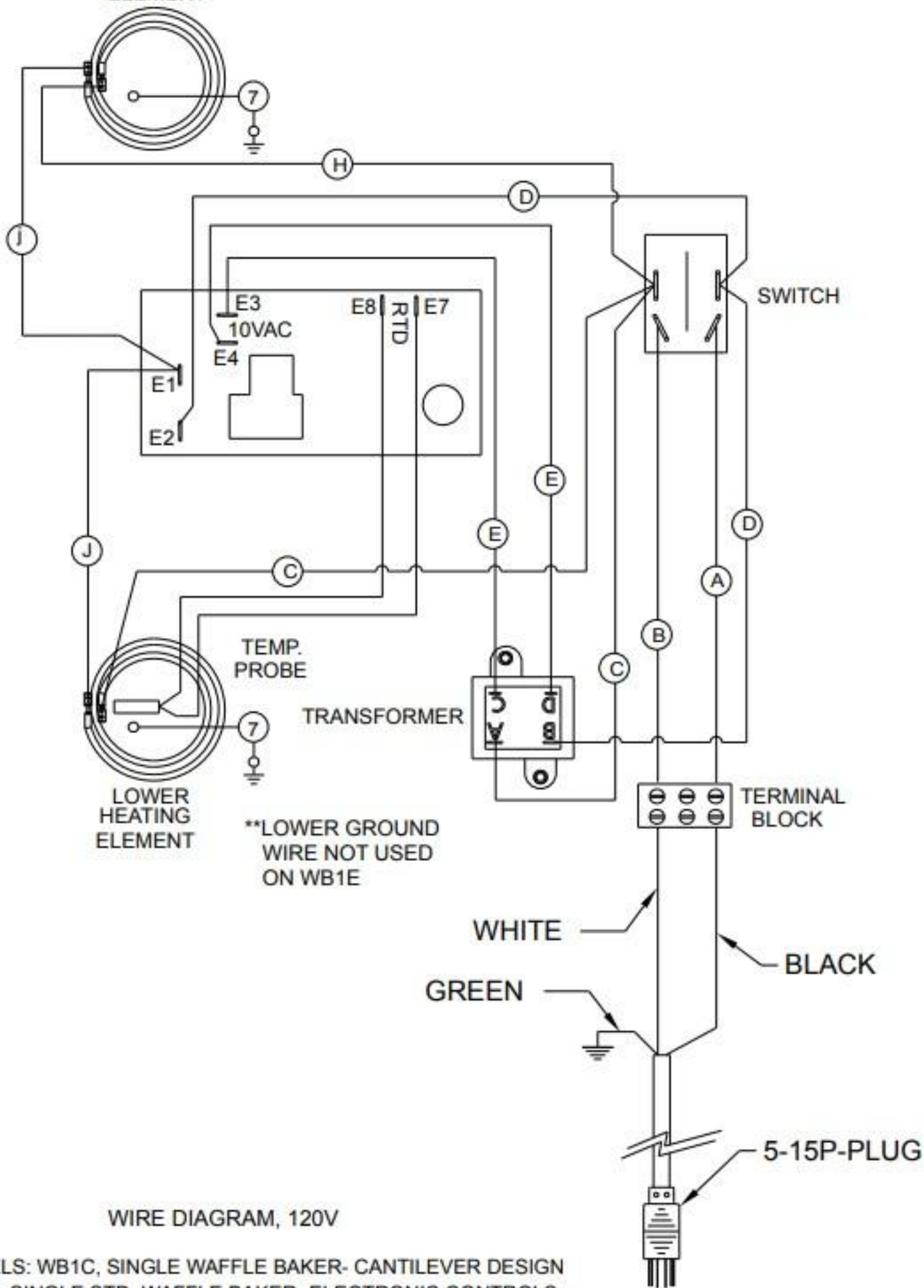
WIRE DIAGRAM
WB2C-120V WELLS TWIN WAFFLE BAKER CANTILEVER.
WB2E-120V WELLS TWIN STD WAFFLE BAKER W/



WIRE DIAGRAM, 208/240V
220/240V

VOLTS	NOMINAL AMPS
	WB-1
208	3.3
220	3.6
240	3.8

UPPER HEATING ELEMENT



WIRE DIAGRAM, 120V

ELS: WB1C, SINGLE WAFFLE BAKER- CANTILEVER DESIGN
F. SINGLE STD. WAFFLE BAKER- ELECTRONIC CONTROLS