**WELLS MANUFACTURING**

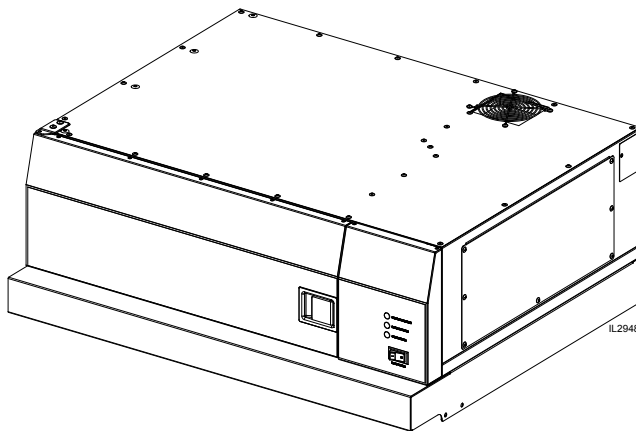
265 Hobson Street, Smithville, TN 37166

telephone: 314-678-6314

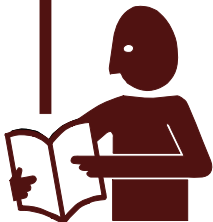
fax: 314-781-2714

www.wells-mfg.com**OWNER'S MANUAL****ODOR REDUCTION
SYSTEM****MODEL
WOV35-SW**

A self-contained top-mounted odor reduction system reduces odor emissions from baking oven processes.

Manual includes**INSTALLATION, USE, AND
CARE INSTRUCTIONS****EXPLODED VIEW****PARTS LIST****WIRING DIAGRAM****IMPORTANT: DO NOT DISCARD THIS MANUAL**

This manual is considered to be part of the appliance and is to be given to the OWNER or MANAGER of the restaurant, or to the person responsible for TRAINING OPERATORS of this appliance. Additional manuals are available from your WELLS DEALER.



THIS MANUAL MUST BE READ AND UNDERSTOOD BY ALL PERSONS USING OR INSTALLING THIS APPLIANCE. Contact your WELLS DEALER if you have any questions concerning installation, operation or maintenance of this equipment.

LIMITED EQUIPMENT WARRANTY

Wells Manufacturing warranties new products to be free from defects in material and/or workmanship for a period of one [1] year from the date of original installation, except as noted below. Defects that occur as a result of normal use, within the time period and limitations defined in this warranty, will at Wells' discretion have the parts replaced or repaired by Wells or a Wells-authorized service agency.

THIS WARRANTY IS SUBJECT TO ALL LISTED CONDITIONS.

Repairs performed under this warranty are to be performed by a Wells-authorized service agency. Wells will not be responsible for charges incurred or service performed by non-authorized repair agencies.

In all cases, the nearest Wells-authorized service agency must be used.

Wells will be responsible for normal labor charges incurred in the repair or replacement of a warrantied product within 50 miles (80.5 km) of an authorized service agency. Time and expense charges for anything beyond that distance will be the responsibility of the owner. All labor will need to be performed during regular service hours. Any overtime premium will be charged to the owner. For all shipments outside the U.S.A. and Canada, please see the International Warranty for specific details.

It is the responsibility of the owner to inspect and report any shipping damage claims, hidden or otherwise, promptly following delivery.

No mileage or travel charges will be honored on any equipment that is deemed portable. In general, equipment with a cord and plug weighing less than 50 lb. (22.7 kg) is considered portable and should be taken or shipped to the closest authorized service agency, transportation prepaid.

CONTACT

Should you require any assistance regarding the operation or maintenance of any Wells equipment; write, phone, fax or email our service department. In all correspondence mention the model number and the serial number of your unit, as well as the voltage or type of gas you are using.

Business hours are 8:00 a.m. to 4:30 p.m. Central Standard Time

Telephone 314.678.6314

Fax 314.781.2714

Email customerservice@star-mfg.com

www.wells-mfg.com

WARRANTY EXCLUSIONS

THE FOLLOWING WILL NOT BE COVERED UNDER WARRANTY.

- Any product which has not been installed, cleaned, maintained, or used in accordance with the directions published in the appropriate installation sheet and/or owner's manual as well as national and local codes, including incorrect gas or electrical connection. Wells is not liable for any unit which has been mishandled, abused, misapplied, subjected to chlorides, harsh chemicals, or caustic cleaners, damaged from exposure to hard water, modified by unauthorized personnel, damaged by flood, fire, or other acts of nature [or God], or which have an altered or missing serial number.
- Installation, labor, and job checkouts, calibration of heat controls, air and gas burner/bypass/pilot adjustments, gas or electrical system checks, voltage and phase conversions, cleaning of equipment, or seasoning of griddle surface.
- Replacement of fuses or resetting of circuit breakers, safety controls, or reset buttons.
- Replacement of broken or damaged glass components, quartz heating elements, and light bulbs.
- Labor charges for all removable parts in gas charbroilers and hotplates, including but not limited to burners, grates, and radiants.
- Any labor charges incurred by delays, waiting time, or operating restrictions that hinder a service technician's ability to perform service.
- Parts that fail or are damaged due to normal wear or labor for replacement of items that can easily be replaced during a daily cleaning routine. such as but not limited to silicone belts, PTFE non-stick sheets, knobs, control labels, bulbs, fuses, quartz heating elements, baskets, racks, and grease drawers.
- Components that should be replaced when damaged or worn, but have been field-repaired instead [eg. field-welded fry pots].
- Any loss of business or profits.

ADDITIONAL WARRANTIES

Specialty/chain specific versions may also have additional and/or extended warranties.

PRODUCTS	PARTS	LABOR
universal ventless hoods	2 years	1 year
canopy hoods	2 years	1 year
"Cook'n Hold" equipment [HW10, HWSMP, LLSC7, LLSC7WA, LLSC11, and LLSC11WA]	2 years	1 year
cast iron grates, burners, and burner shields	1 year	
original Wells parts sold to repair Wells equipment	90 days	
Service First	1 year	

TABLE OF CONTENTS

WARRANTY	
ELECTRICAL SPECIFICATIONS	1
WARNINGS - ENGLISH	2
WARNINGS - FRENCH	3
CLEARANCES	4
FEATURES & OPERATING CONTROLS	4-5
PRECAUTIONS & GENERAL INFORMATION	6
AGENCY LISTING INFORMATION	7
INSTALLATION	7
Unpacking & inspecting	7
Filter Installation	8
OPERATION	9
CLEANING INSTRUCTIONS	10
WIRING DIAGRAM	11
EXPLODED VIEW & PARTS LIST	12 - 14
PARTS & SERVICE	15
CUSTOMER SERVICE DATA	15

INTRODUCTION

Thank You for purchasing this Wells Manufacturing appliance.

Proper installation, professional operation and consistent maintenance of this appliance will ensure that it gives you the very best performance and a long, economical service life.

This manual contains information and instructions for the oven filter system, its use and care.

For information regarding cooking appliance(s), please refer to the manufacturer's operation manual.

ELECTRICAL SPECIFICATIONS

Model	Voltage	Amps	Horse Power	Kilowatts	Typical Airflow	Clearance to Combustibles	Cord & Plug
WOV35-SW	120V	1.0	1/12	0.12	290 CFM	N/A	6 ft. NEMA 5-15P
	230V	0.56			270 CFM		8ft. IEC, CEE-7 Euro

This appliance is intended for use with ovens preparing baked goods and other food products that do not produce grease laden vapors above the threshold established by NFPA 96 the Standard for Ventilation Control and Fire Protection of Commercial Cooking Operations.

WARNINGS - ENGLISH

IMPORTANT: DO NOT DISCARD THIS MANUAL

This manual is considered to be part of the appliance and is to be given to the OWNER or MANAGER of the restaurant, or to the person responsible for TRAINING OPERATORS of this appliance. Additional manuals are available from your WELLS DEALER.

THIS MANUAL MUST BE READ AND UNDERSTOOD BY ALL PERSONS USING OR INSTALLING THIS APPLIANCE. Contact your WELLS DEALER if you have any questions concerning installation, operation or maintenance of this equipment.



DANGER: SUFFOCATION HAZARD

“Do not attempt to use this filter with gas-fired units. This filter will not remove products of combustion. Unvented exhaust gases can be deadly.”



WARNING: SHOCK HAZARD

All servicing requiring access to non-insulated electrical components must be performed by a factory authorized technician.

DO NOT open any access panel which requires the use of tools. Failure to follow this warning can result in severe electrical shock.



WARNING: RISK OF INJURY

Installation procedures must be performed by a qualified technician with full knowledge of all applicable electrical codes. Failure can result in personal injury and property damage.

WARNING:

DO NOT attempt to wash the PLEATED / CHARCOAL filter pack or pre-filter. Water absorption will render the filter unusable. Use of a wet or clogged filter will cause the filtration system to shut down. Use only new, clean Wells® Authorized Service Parts. Keep spare filter packs on hand to avoid disruptions.

Service Department 1-314-678-6314.

Exposed surfaces can be hot to the touch and may cause burns. Allow unit to cool before cleaning or servicing.

GT 12H11H4U, } ^10A^ ø ` øH^ UXH EÜY ÁUá| ÁU^á &ç) ÁU^ø{

WARNINGS - FRENCH

IMPORTANT : NE JETEZ PAS CE MANUEL

Ce manuel fait partie intégrante de l'appareil et doit être remis au PROPRIÉTAIRE, au GÉRANT du restaurant ou au responsable de la FORMATION DES UTILISATEURS. Des manuels supplémentaires sont disponibles auprès de votre concessionnaire WELLS.

TOUTE PERSONNE INSTALLANT OU UTILISANT CET APPAREIL DOIT LIRE CE MANUEL ET S'ASSURER DE L'AVOIR COMPRIS.

Veillez contacter votre CONCESSIONNAIRE WELLS pour toute question concernant l'installation, l'utilisation ou l'entretien de cet équipement.



DANGER : RISQUE DE SUFFOCATION

“Ce filtration ne doit pas être utilisé avec des appareils à gaz. Il n'absorbe pas les produits de combustion. En l'absence de sortie d'aération, les gaz de combustion peuvent être mortels.”



AVERTISSEMENT : RISQUE DE DÉCHARGE ÉLECTRIQUE

Toute intervention nécessitant d'accéder à des composants électriques non isolés doit être effectuée par un technicien agréé usine.

N'ouvrez AUCUN panneau d'accès nécessitant l'utilisation d'un outil. Le non-respect de cet avertissement peut exposer à une décharge électrique sévère.



AVERTISSEMENT : RISQUE DE BLESSURE

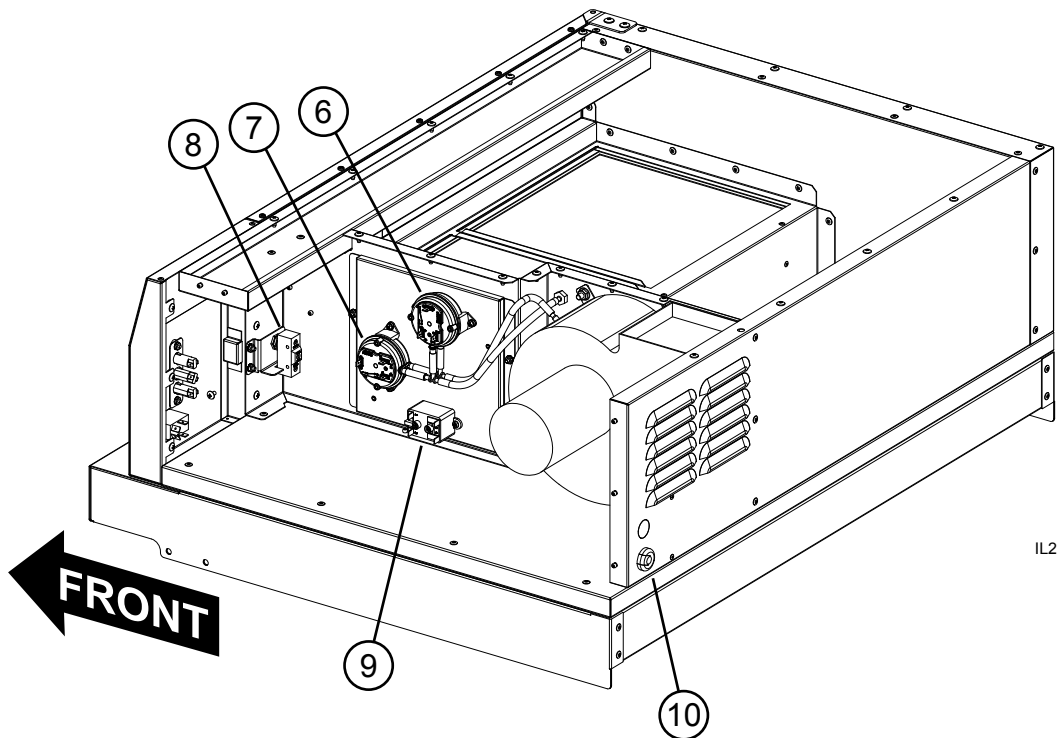
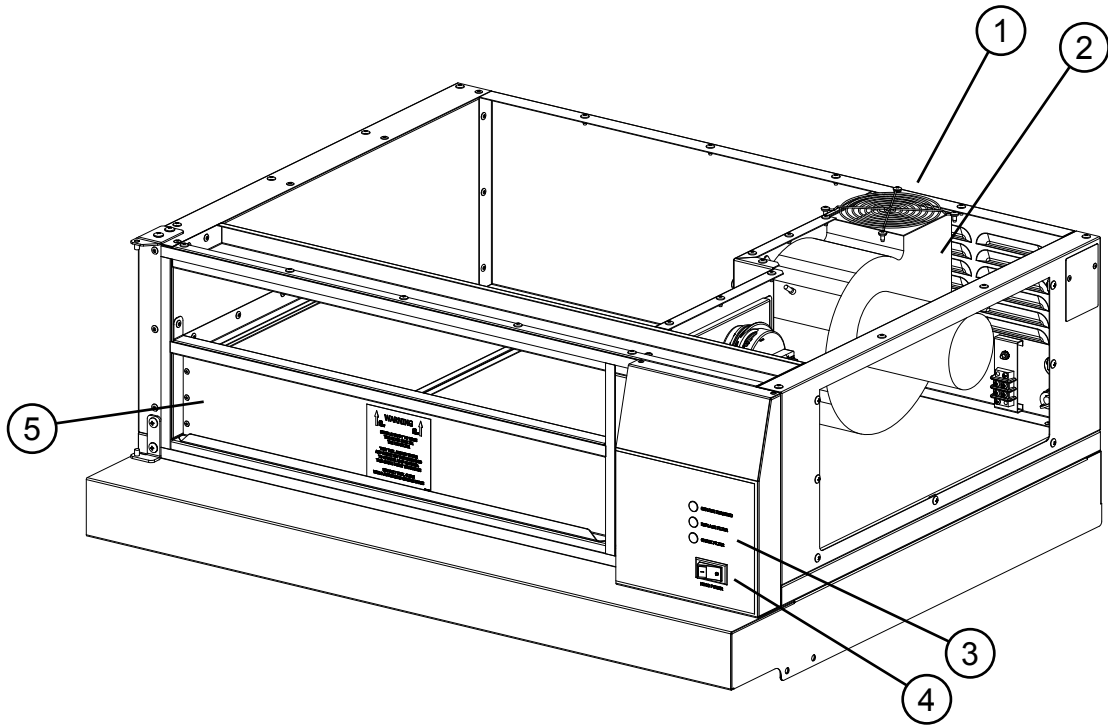
Les procédures d'installation doivent être effectuées par un technicien qualifié ayant pleine connaissance des réglementations applicables. Le non-respect de cet avertissement peut provoquer des blessures et des dommages matériels.

AVERTISSEMENT :

N'essayez PAS de nettoyer le filtre ou le pré-filtre plissé ou à CHARBON. L'eau absorbée rendrait le filtre inutilisable. Un filtre humide ou colmaté provoque l'arrêt du système de filtration. Utilisez uniquement des pièces neuves et propres, homologuées par Wells®. Conservez des filtres de rechange pour éviter l'interruption du fonctionnement.

Service clientèle : +1-314-678-6314.

FEATURES & OPERATING CONTROLS



IL2950a

AGENCY LISTING INFORMATION



Intertek

3108971



Intertek

3108971

This appliance is listed by ETL to NSF/ANSI 4 and UL/ANSI 197 and must be installed in accordance with the supplied Installation Instructions and operated and maintained in accordance with the instructions in this manual.

INSTALLATION

UNPACKING & INSPECTION

Carefully remove the appliance from the carton. Remove all protective plastic film, packing materials and accessories from the appliance before connecting electrical power or otherwise performing any installation procedure.

Carefully read all instructions in this manual and any other documents packed with the appliance before starting any installation. All documentation should remain with the equipment operator for future reference.

Read and understand all labels and diagrams attached to the unit.

Carefully account for all components and accessories before discarding packing materials.

COMPONENTS

Charcoal Filter pack **1 ea.**

Store these components in a convenient place for later use.

NOTE: DO NOT discard the carton or other packing materials until you have inspected the appliance for hidden damage and tested it for proper operation. Refer to *SHIPPING DAMAGE CLAIM PROCEDURE* on the inside front cover of this manual.



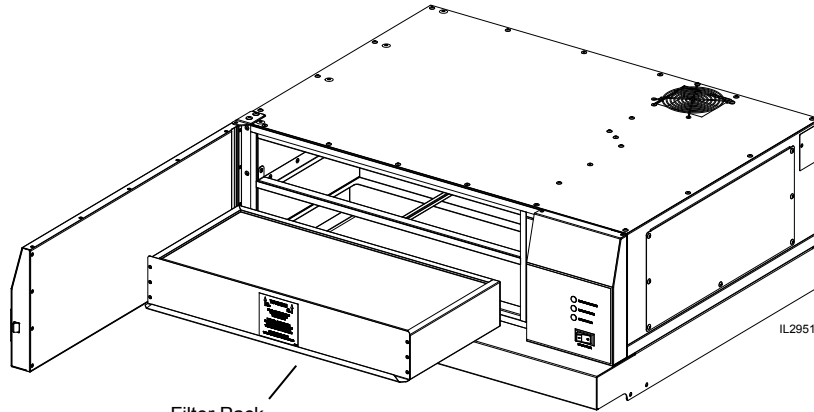
**WARNING:
RISK OF INJURY**

Installation procedures must be performed by a qualified technician with full knowledge of all applicable electrical codes. Failure can result in personal injury and property damage.

INSTALLATION

FILTER INSTALLATION

Note air flow direction arrow on filter pack. Remove old filter pack and slide new filter pack fully into the appropriate slot. Verify that the airflow direction arrow points up.



Filter Pack
p/n: WS-WL0652
(Arrows must point Up)

Use only genuine Wells replacement parts and filters, call (314) 678-6314 or your authorized Wells service agent. Parts supplied by others will void your warranty and may not provide safe operation.

NOTE:

The FILTER PACK activates position switches when they are properly positioned. They must be properly installed for the filter blower to be energized.



WARNING CLEAN FILTERS

DO NOT attempt to wash the filter pack. Water absorption will render the filter unusable. Use of a wet or clogged filter will cause the system to shut down. Use only clean Wells® Authorized Service Parts. Keep spare filter packs on hand to avoid disruptions. Wells Parts Department (314) 678-6314.

GT IZFI I HAU, } ^10A# ø ` øHAY UXH EUY ÁUá[I ÁU'á ~ &ç]) ÁU' • ç{

OPERATION



CAUTION: HOT SURFACE

Exposed surfaces can be hot to the touch and may cause burns.

IMPORTANT:

The filter system cannot operate if the filter pack is removed or clogged.

It is the responsibility of the store management to maintain sufficient spares of filter packs to avoid prolonged shutdown of the filter system when this filter is expended.

Filter packs cannot be cleaned.

Wells Manufacturing assumes no liability for loss of business due to filter related shutdown.

Filters that are not genuine Wells Replacement Parts may cause your unit to operate incorrectly and you will risk the possibility of voiding your warranty.

Control Panel

NOTE: Cooking appliances must be operated in accordance with the manufacturer's instructions.

During normal operation, the illuminated power switch will be the only light on the control panel that will be ON.

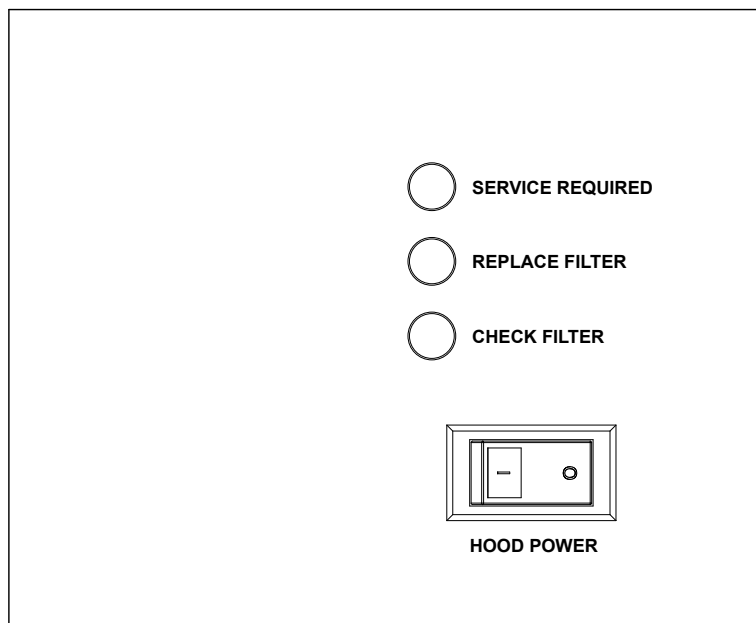
If the CHECK FILTERS light illuminates, check the FILTER PACK for proper installation.

If the REPLACE FILTER PACK light illuminates, replace the FILTER PACK.

NOTE: the REPLACE FILTERS PACK light is a warning that filter pack is nearing the end of its service life. The filter will continue to operate for a period of time after the REPLACE FILTER LIGHT turns ON to allow continued operation through a peak period. However, filter pack must be replaced within a short time period or it will clog, disabling the filter system.

If the SERVICE REQUIRED light illuminates, the filter pack is restricted to the point of insufficient airflow for proper operation and the filter system will shut down until the underlying clogged filter situation has been corrected. Replace clogged item with a fresh filter to correct the condition.

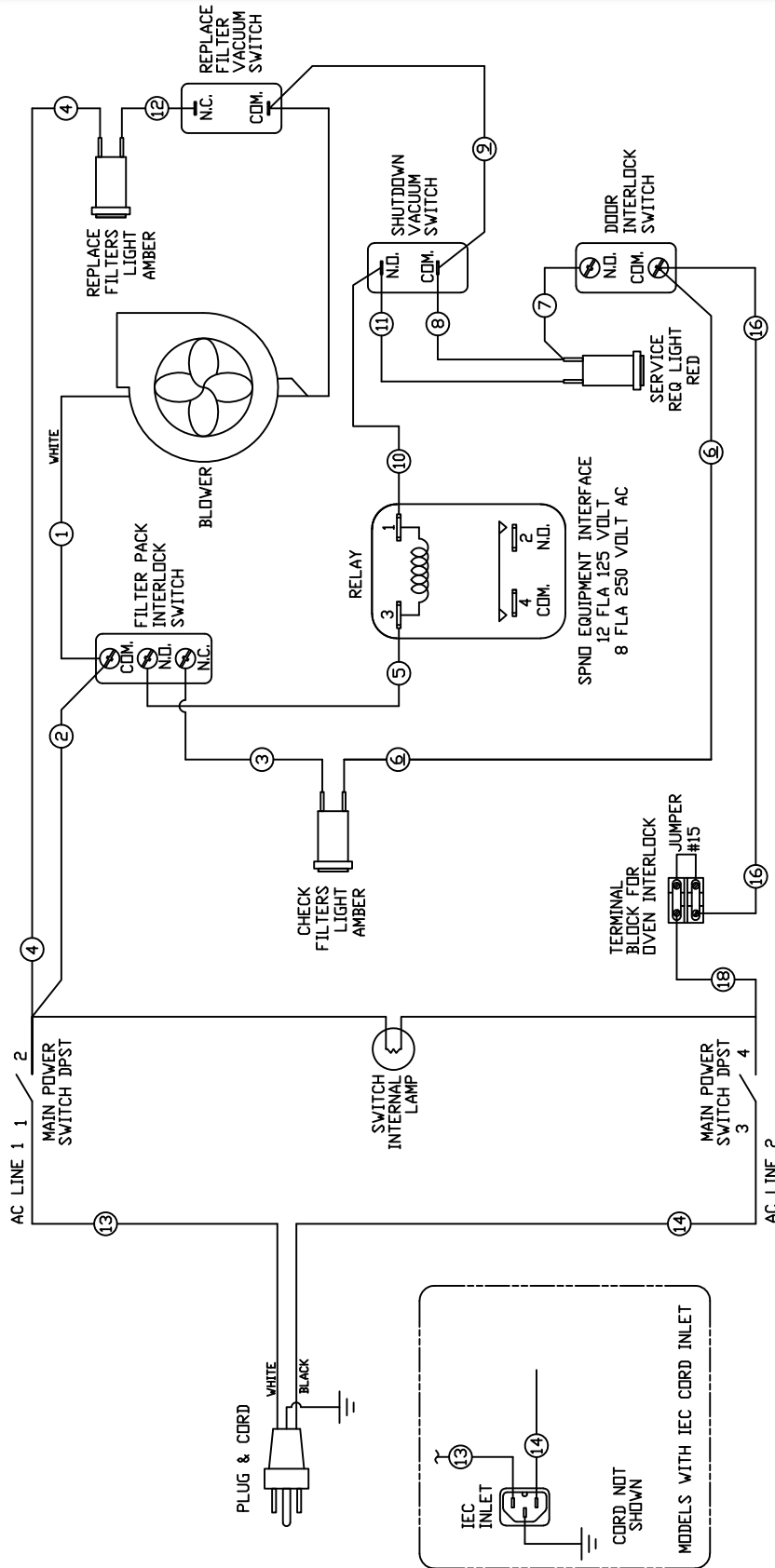
Reset the unit by turning FILTER SYSTEM POWER SWITCH to OFF, then back to ON.



IL2952

WIRING DIAGRAM

WIRE DIAGRAM WOV35
120V, 230V, OR 208/240V



2M-Z20252 (REV C)

Models after:
08/01/2018

PARTS LIST

(08/2018) REV D

Model: WOV35-SW BAKING OVEN FILTRATION ACCESSORY

Fig No	Part Number	Qty	Description	Application
1	2C-6349	28	SCREW #8X3/8 B THP STL NP	
2	2R-200562	2	FAN GUARD FOR MUFFIN FAN	
3	N1-Z18916	1	TOP PANEL	
4	2E-Z12427	2	SWITCH, SPDT (DOOR)	
5	2C-2555	4	NUT 8-32 ACHD BRS NP	
6	2C-2556	8	NUT 8-32 HEX STL NP	
7	N1-Z18923	1	MOUNTING PLATE,VACUUM	
8	2C-31053	5	NUT 8-32 KEPS MS NICKEL	
9	2K-302631	1	ADAPTER 3/8 TUBE 1/4 MALE	
10	2J-302629	2 Ft	HOSE.18IDX.31ODXCOIL CLR	
11	2C-6517	3	NUT 1/4-20 HEX STL NP	
12	N1-WL0712	1	BLOWER ASSY	120V
	N1-WL0740		BLOWER ASSY, 50/60 Hz	230/240V
13	2C-200005	2	SCREW 6-32X1/2 THP SS	
14	2E-44514	1	RELAY, 208-240V COIL	230V
	2E-Z15353		RELAY, 120V COIL, SPNO	120V
15	2K-302630	2	TEE NYLON 3/16	
16	2C-1493	4	SCREW 8-32X3/8 RHP STL NP	
17	2E-Z19328	1	PRESSURE SWITCH, .15 WC, SHUTDOWN	
18	2E-Z19327	1	PRESSURE SWITCH, .22 WC, FILTER REPLACEMENT CK LIGHT	
19	2K-Y2967	1	BUSHING HEYCO 7K-2 BLK	120V
	2E-Z3034		IEC CORD INLET HOT	230V
20	N1-Z18922	1	SERVICE PANEL,RIGHT	
21	2C-35487	13	SCREW 8-32X5/16 PH TR HD	
22	N1-Z19263	1	BRACKET,TERMINAL BLOCK	
23	2E-Y1654	1	BLOCK-TERMINAL	
24	2C-08-07-0042	2	SCREW 8-32 S 5/8 RHP STL NP	
25	2C-Z2594	2	NUT 6-32 HEX W STL NP	120V
		4		230V
26	N1-Z18924	1	MOUNTING PLATE,INDICATOR	
27	2L-Z19081	2	SPACER 1/8,NYLON	
28	2J-30516	2	LIGHT SIGNAL AMBER M3938P	
29	2J-31157	1	LIGHT SIGNAL RED M3938PR	
30	N1-WL0647	1	CONTROL PANEL ASSEMBLY	

NOTES

NOTES

GT ĪZĪĪHĪ, }^!@# \$ % ^ & * () ~ ¨ ª « ¬ ® ¯ ° ± ² ³ ´ µ ¶ · ¸ ¹ º » ¼ ½ ¾ ¿

PARTS & SERVICE

DESCRIPTION

FILTER PACK ASSEMBLY

PART NO.

N1-WL0652

IMPORTANT: Use only factory authorized service parts and replacement filters.

For factory authorized service, or to order factory authorized replacement parts, contact your Wells authorized service agency, or call:

Wells Manufacturing

265 Hobson Street.
Smithville, Tennessee 37166 U.S.A.

Service Dept.

phone: (314) 678-6314
fax: (314) 781-2714

Service Parts Department can supply you with the name and telephone number of the **WELLS AUTHORIZED SERVICE AGENCY** nearest you.

CUSTOMER SERVICE DATA

Please have this information available if calling for service

RESTAURANT _____ LOCATION _____

INSTALLATION DATE _____ TECHNICIAN _____

SERVICE COMPANY _____

ADDRESS _____ STATE _____ ZIP _____

TELEPHONE NUMBER (____)____-_____

EQUIPMENT MODEL NO. _____ EQUIPMENT SERIAL NO. _____

VOLTAGE: (check one) 120 230



SERVICE TRAINING - QUALITY SERVICE



CUSTOMER SATISFACTION



WELLS MANUFACTURING

265 Hobson Street, Smithville, Tennessee 37166

telephone: 314-678-6314

fax: 314-781-2714

www.wells-mfg.com