



WELLS MANUFACTURING
10 Sunnen Dr., St. Louis, MO 63143
telephone: 314-678-6314
fax: 314-781-2714
www.wellsbloomfield.com

506



*Model
WVOC-4HF*

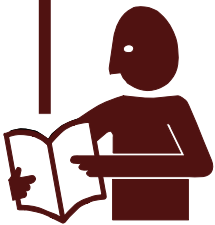
OWNERS MANUAL

WVOC- 4 SERIES

**CONVECTION OVEN
and
4 HOTPLATE COOKTOP
with
UNIVERSAL
HOOD**

**MODELS:
WVO4HF
WVO4HS**

**Includes
INSTALLATION
USE & CARE
EXPLODED VIEW
PARTS LIST
WIRING DIAGRAM**



IMPORTANT: DO NOT DISCARD THIS MANUAL

This manual is considered to be part of the appliance and is to be given to the OWNER or MANAGER of the restaurant, or to the person responsible for TRAINING OPERATORS of this appliance. Additional manuals are available from your WELLS DEALER.

THIS MANUAL MUST BE READ AND UNDERSTOOD BY ALL PERSONS USING OR INSTALLING THIS APPLIANCE. Contact your WELLS DEALER if you have any questions concerning installation, operation or maintenance of this equipment.

LIMITED WARRANTY STATEMENT

Unless otherwise specified, all commercial cooking equipment manufactured by Wells Manufacturing is warranted against defects in materials and workmanship for a period of one year from the date of original installation or 18 months from the date of shipment from our factory, whichever comes first, and is for the benefit of the original purchaser only.

THIS WARRANTY IS THE COMPLETE AND ONLY WARRANTY, EXPRESSED OR IMPLIED IN LAW OR IN FACT, INCLUDING BUT NOT LIMITED TO, WARRANTIES OF MERCHANTABILITY OR FITNESS FOR ANY PARTICULAR PURPOSE, AND/OR FOR DIRECT, INDIRECT OR CONSEQUENTIAL DAMAGES IN CONNECTION WITH WELLS MANUFACTURING PRODUCTS. This warranty is void if it is determined that, upon inspection by an authorized service agency, the equipment has been modified, misused, misapplied, improperly installed, or damaged in transit or by fire, flood or act of God. It also does not apply if the serial nameplate has been removed, or if service is performed by unauthorized

personnel. The prices charged by Wells Manufacturing for its products are based upon the limitations in this warranty. Seller's obligation under this warranty is limited to the repair of defects without charge by a Wells Manufacturing factory authorized service agency or one of its sub-service agencies. This service will be provided on customer's premises for non-portable models. Portable models (a device with a cord and plug) must be taken or shipped to the closest authorized service agency, transportation charges prepaid, for service. In addition to restrictions contained in this warranty, specific limitations are shown in the Service Policy and Procedure Guide. Wells Manufacturing authorized service agencies are located in principal cities. This warranty is valid in the United States and Canada and void elsewhere. Please consult your classified telephone directory, your foodservice equipment dealer or contact:

Wells Manufacturing

10 Sunnen Dr., St. Louis MO 63143 USA
phone (314) 678-6314 or fax (314) 781-2714

for information and other details concerning warranty.

SERVICE POLICY AND PROCEDURE GUIDE and ADDITIONAL WARRANTY EXCLUSIONS

1. Resetting of safety thermostats, circuit breakers, over load protectors, and/or fuse replacements are **not** covered by this warranty unless warranted conditions are the cause.
2. All problems due to operation at **voltages or phase other than specified on equipment nameplates** are **not** covered by this warranty. Conversion to correct voltage and/or phase must be the customer's responsibility.
3. All problems due to **electrical connections not made in accordance with electrical code requirements and wiring diagrams** supplied with the equipment are **not** covered by this warranty.
4. Replacement of items **subject to normal wear**, to include such items as knobs, light bulbs; and, normal maintenance functions including adjustments of thermostats, adjustment of micro switches and replacement of fuses and indicating lights are **not** covered by warranty.
5. Damage to electrical cords and/or plug due to exposure to excessive heat are **not** covered by this warranty.
6. Full use, care, and maintenance instructions supplied with each machine. Noted maintenance and preventative maintenance items, such as servicing and cleaning schedules, are customer responsibility. Those miscellaneous adjustments noted are customer responsibility. Proper attention to preventative maintenance and scheduled maintenance procedures will prolong the life of the appliance.
7. Travel mileage is limited to **sixty (60) miles** from an Authorized Service Agency or one of its sub-service agencies.
8. All labor shall be performed during regular working hours. Overtime premium will be charged to the buyer.
9. All genuine Wells replacement parts are warranted for ninety (90) days from date of purchase on non-warranty equipment. This parts warranty is limited only to replacement of the defective part(s). **Any use of non-genuine Wells parts completely voids any warranty.**
10. Installation, labor, and job check-outs are **not** considered warranty and are thus **not** covered by this warranty.
11. Charges incurred by delays, waiting time or operating restrictions that hinder the service technician's ability to perform service are **not** covered by warranty. This includes institutional and correctional facilities.

SHIPPING DAMAGE CLAIM PROCEDURE

NOTE: For your protection, please note that equipment in this shipment was carefully inspected and packaged by skilled personnel before leaving the factory. Upon acceptance of this shipment, the transportation company assumes full responsibility for its safe delivery.

IF SHIPMENT ARRIVES DAMAGED:

1. **VISIBLE LOSS OR DAMAGE:** Be certain that any visible loss or damage is noted on the freight bill or express receipt, and that the note of loss or damage is signed by the delivery person.
2. **FILE CLAIM FOR DAMAGE IMMEDIATELY:** Regardless of the extent of the damage.
3. **CONCEALED LOSS OR DAMAGE:** if damage is unnoticed until the merchandise is unpacked, notify the transportation company or carrier immediately, and file "CONCEALED DAMAGE" claim with them. This should be done within fifteen (15) days from the date the delivery was made to you. Be sure to retain the container for inspection.

Wells Manufacturing cannot assume liability for damage or loss incurred in transit. We will, however, at your request, supply you with the necessary documents to support your claim.

TABLE OF CONTENTS

WARRANTY	xi
SPECIFICATIONS	1
FEATURES & OPERATING CONTROLS	2
PRECAUTIONS & GENERAL INFORMATION	6
AGENCY LISTING INFORMATION	7
INSTALLATION	8
OPERATION	13
CLEANING INSTRUCTIONS	18
TROUBLESHOOTING SUGGESTIONS	22
MAINTENANCE INSTRUCTIONS	23
MSDS (Ansulex Low pH)	26
MAINTENANCE SCHEDULES	28
ANSUL® COMPONENTS	30
EXPLODED VIEW & PARTS LIST	31
WIRING DIAGRAM	36
PARTS & SERVICE.....	41
CUSTOMER SERVICE DATA	41

INTRODUCTION

Thank You for purchasing this Wells Manufacturing appliance.

Proper installation, professional operation and consistent maintenance of this appliance will ensure that it gives you the very best performance and a long, economical service life.

This manual contains the information needed to properly install this appliance, and to use and care for the appliance in a manner which will ensure its optimum performance.

SPECIFICATIONS

MODEL	VOLTS	WATTS	AMPS 3 ϕ			AMPS 1 ϕ
			L1	L2	L3	
WVO4HF	208	11,500	32	31	26	n/a
	240	14,100	36	35	30	n/a
WVO4HS	208	12,500	36	35	34	n/a
	240	16,500	41	40	39	n/a

Minimum clearances required from unit to nearest combustible surface or object.				
	BACK	SIDE	BOTTOM	TOP
inches	n/a	6	6	19
millimeters	n/a	152	152	483

FEATURES & OPERATING CONTROLS

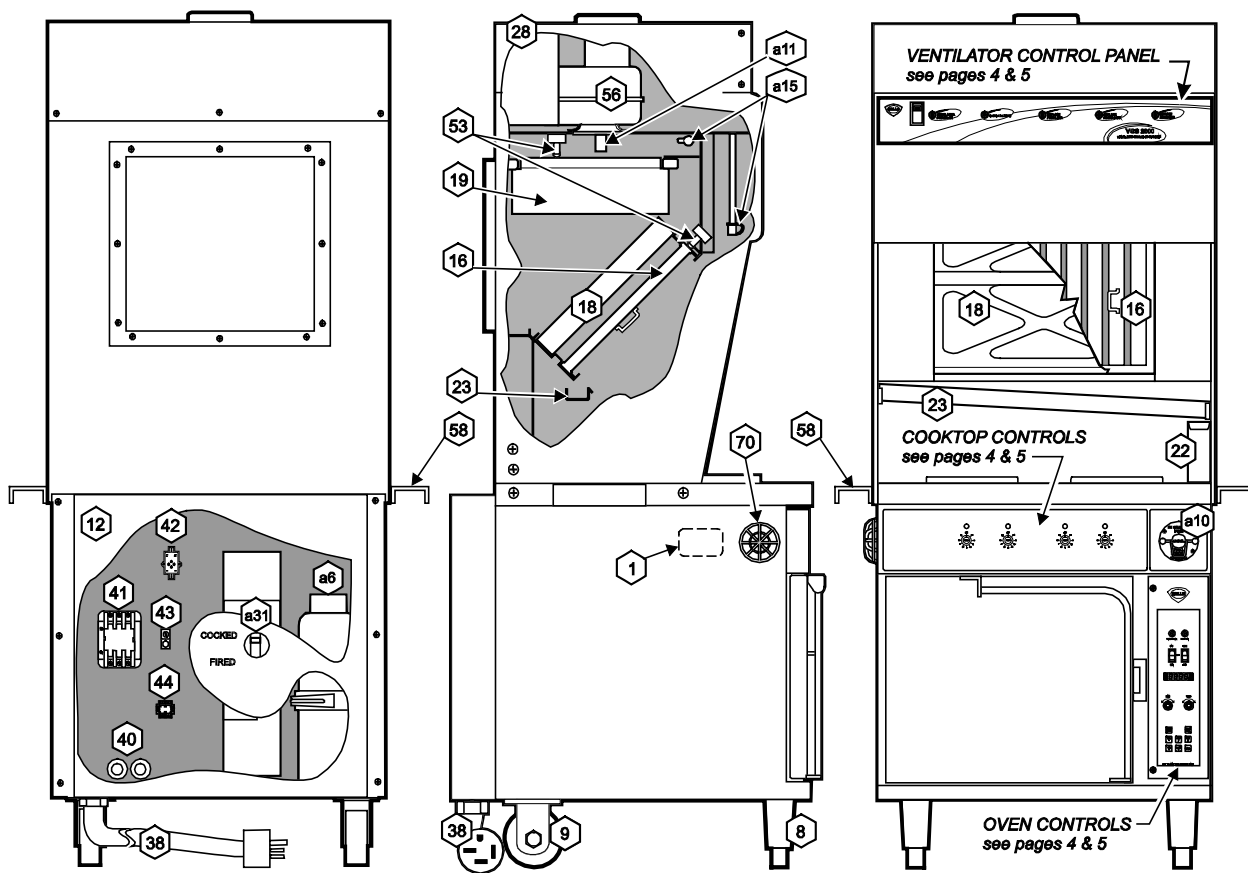


Fig. 1 Ventilator Section Features & Operating Controls

FEATURES & OPERATING CONTROLS (continued)

VENTILATOR SECTION		
ITEM	DESCRIPTION	COMMENT
1	NAMEPLATE	Gives Manufacturer, Model and Serial Number information. Also lists electrical specifications.
a6.	FIRE SUPPRESSION AGENT TANK (1.5 gal.)	Container for Ansul [™] Low-pH liquid fire suppression liquid.
8	ADJUSTABLE (FRONT) LEG	Allows the unit to be leveled.
9	RIGID (REAR) CASTER	Allows the unit to be easily positioned by lifting the front of the unit slightly.
a10.	MANUAL PULL STATION	Provides a means of manual activation of the fire suppression system. PULL ONLY IN CASE OF FIRE!
a11.	FUSIBLE LINKS	Automatically activates fire suppression system in the event of fire on the cooktop.
12	LOWER REAR ACCESS PANEL	Allows access to Ansul [®] fire suppression agent tank (a6) and controls also access to main power contactor (41).
a15.	DISCHARGE NOZZLE	Fire suppression media discharges here (2 places).
16	GREASE BAFFLE	Extracts and drains most grease and moisture from the air flow.
18	PRE-FILTER ASSEMBLY	Comprises the PRE-FILTER FRAME and a replaceable PRE-FILTER. Stops larger particles of grease from reaching the FILTER PACK for reduced maintenance costs.
19	HEPA/CHARCOAL FILTER PACK	Stops most grease and smoke particles. Also assists in some cooking odor removal.
22	GREASE CUP	Collects grease/moisture drained from grease trough (23).
23	GREASE TROUGH	Directs grease/moisture removed by grease baffle to grease cup.
28	VENTILATOR EXHAUST DUCT	Exit point for ventilator airflow - on top left rear of unit. DO NOT BLOCK
a31.	STATUS INDICATOR	Displays status of fire suppression system (COCKED - FIRED) If FIRED, a buzzer will sound continuously.
38	POWER CORD	6' cord and cap. Plug for NEMA 15-60R (receptacle by user).
40	FUSES	Provide over-current protection of cooking appliance.
41	POWER CONTACTOR	Energizes cooktop only while ventilator section is sensed as operational.
42	BUILDING FIRE ALARM RELAY	Reports fire alarm condition to building fire management system.
43	GROUND LUG	Ground wire of power cord connects here.
44	INTERLOCK TERMINAL	Provides connection for shut-down control by building fire management system.
53	FILTER INTERLOCK SWITCHES	Proper installation of grease baffle and filter pack close these switches in ventilator sensor circuit. Provides air movement for ventilation.
56	VENTILATOR FAN	Provides air movement for ventilation.
58	SIDE SPACERS	Maintain required 6" spacing from combustible surfaces.
70	COOLING FAN	Provides cooling for cooktop controls.

FEATURES & OPERATING CONTROLS (continued)

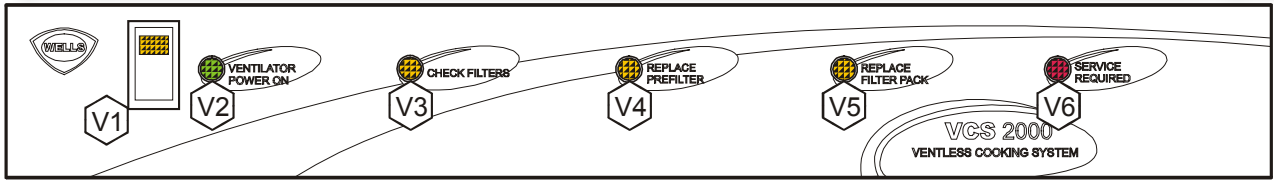
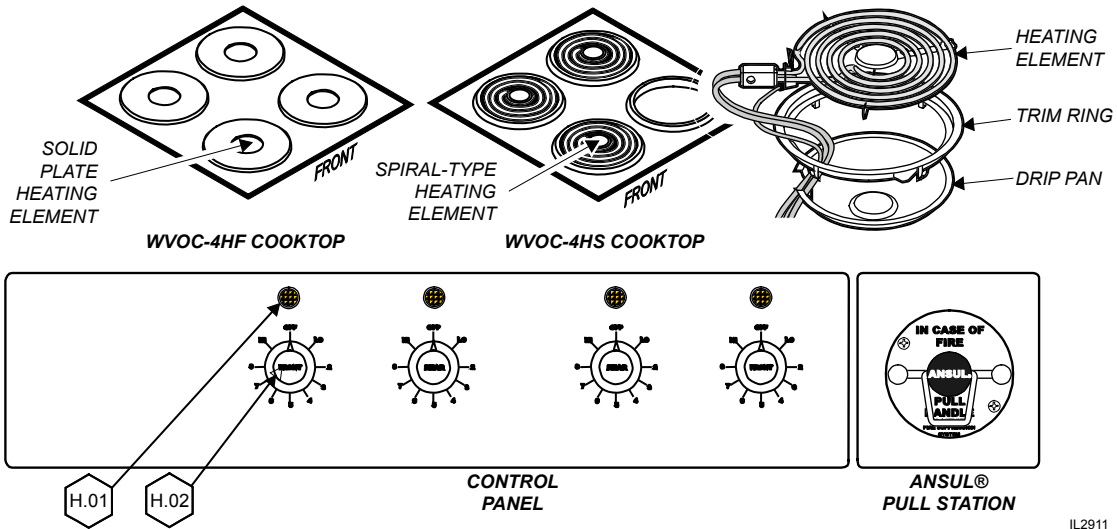
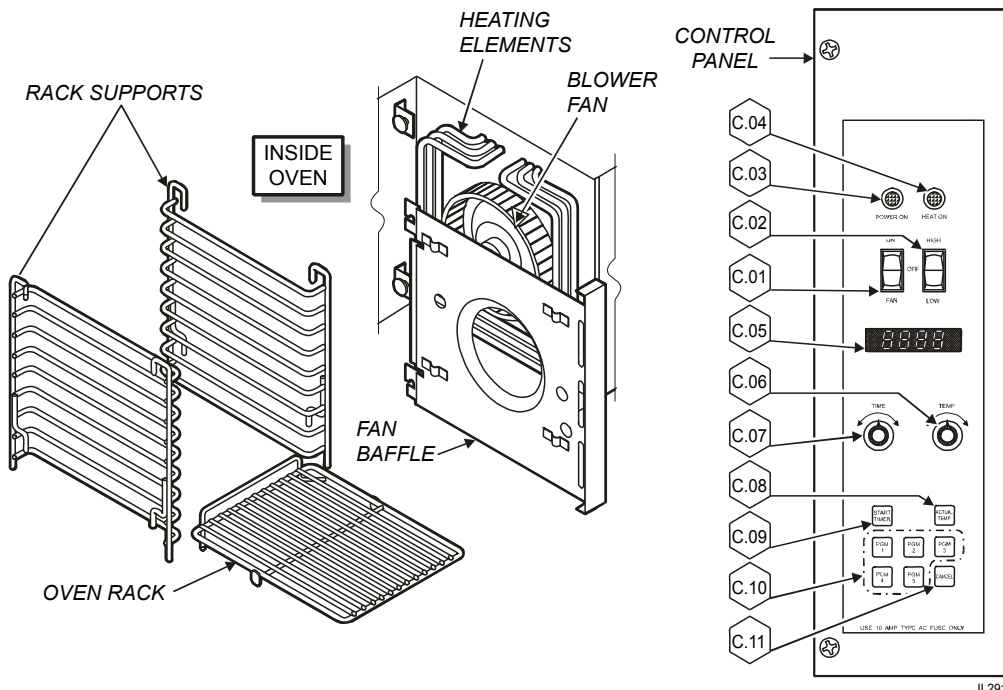


Fig. 2 Ventilator Section Controls & Indicator Lights



IL2911

Fig. 3 Cooktop Section Controls & Indicator Lights



II 2910

Fig. 4 Convection Oven Operating Features & Controls

FEATURES & OPERATING CONTROLS (continued)

Item NO.	Description	Comments
VENTILATOR SECTION CONTROLS		
V1	POWER SWITCH	
V2	POWER ON INDICATOR	Energizes blower motor. If, after 10 seconds, proper conditions are met, cooktop is energized.
V3	CHECK FILTERS ALARM INDICATOR	GREEN. Glows when POWER switch is ON.
V4*	REPLACE PREFILTER ALARM INDICATOR	AMBER. Glows if one or more filters are out of position. Check all filters and baffles for proper installation.
V5*	REPLACE FILTER PACK ALARM INDICATOR	AMBER. Glows when PREFILTER is approaching the end of its service life and must soon be replaced.
V6*	SERVICE REQUIRED ALARM INDICATOR	AMBER. Glows when FILTER PACK is approaching the end of its service life and must soon be replaced. RED. Glows when PREFILTER and/or FILTER PACK has reached the end of its service life and is too loaded to allow sufficient air flow. Filter MUST be replaced. Appliance is SHUT DOWN until expended filters are replaced.
* See <i>PRECAUTIONS & GENERAL INFORMATION</i> , pages 6 & 7 for special procedures regarding prefilters and filter packs.		
COOKTOP SECTION CONTROLS - HOTPLATE		
H.01	POWER ON INDICATOR	AMBER. Glows when associated temperature control is turned ON.
H.02	HOTPLATE CONTROL	Infinite switch control of temperature of one hotplate section.
CONVECTION OVEN SECTION CONTROLS		
C.01	POWER-OFF-FAN SWITCH	Switch to turn oven ON, OFF or select FAN only.
C.02	FAN LOW-OFF-HIGH SWITCH	Switch to turn fan ON, and to select fan speed.
C.03	OVEN POWER INDICATOR	AMBER. Glows when oven is turned ON.
C.04	HEAT INDICATOR	AMBER. Glows when heating elements are energized.
C.05	DIGITAL DISPLAY	Displays time and temperature information.
		Time remaining in program (minute : second)
		Programmed temperature (°F)
C.06	OVEN TIME CONTROL	Adjust programmed cooking time.
C.07	OVEN TEMP CONTROL	Adjust programmed cooking temperature.
C.08	START TIMER KEY	Begin a timed cook cycle.
C.09	ACTUAL TEMP KEY	Press to display current oven temperature.
C.10	PGM KEYS	Press to select pre-programmed time/temperature.
C.11	CANCEL KEY	Press to cancel a program in progress.

PRECAUTIONS AND GENERAL INFORMATION



NOTE: Fire suppression system and all associated components must only be serviced by an authorized Ansul® Distributor. All setup, charging, repair and/or adjustment of the fire suppression system must be performed by an Authorized Ansul® Distributor ONLY.

IMPORTANT: If a remote pull station is installed, both rear casters (9) must be replaced with legs to deter moving the unit. MOVING AN APPLIANCE WITH A REMOTE PULL STATION WILL DISCHARGE THE FIRE SUPPRESSION SYSTEM.

This Ventless Cooking System™ is designed to help reduce odor emissions, but will not completely eliminate cooking odors. Air exchange at the installation site must comply with the requirements of the local jurisdictional authority. To ensure that odors do not build-up, recommended minimum air exchange is 300 - 400 cfm of outside air into and out of the area where the unit is used. Recommend use of wall fan and wall switch, to be supplied by user.



WARNING: SHOCK HAZARD

All servicing requiring access to non-insulated electrical components must be performed by a factory authorized technician. DO NOT open any access panel which requires the use of tools. Failure to follow this warning can result in severe electrical shock.



CAUTION: RISK OF DAMAGE

DO NOT connect or energize this appliance until all installation instructions are read and followed. Damage to the appliance will result if these instructions are not followed.

This appliance is intended for use in commercial establishments only.

This appliance is intended to prepare food for human consumption. No other use is recommended or authorized by the manufacturer or its agents.

Operators of this appliance must be familiar with the appliance use, limitations and associated restrictions. Operating instructions must be read and understood by all persons using or installing this appliance.

Cleanliness of this appliance is essential to good sanitation. Read and follow all included cleaning instructions and schedules to ensure the safety of the food product.

Disconnect this appliance from electrical power before performing any maintenance or servicing.

Do not splash or pour water on, in or over any exposed element, control, control panel or wiring.

DO NOT submerge pre-filter or filter pack in water.

The technical content of this manual, including any wiring diagrams, schematics, parts breakdown illustrations and/or adjustment procedures, is intended for use by qualified technical personnel.

Any procedure which requires the use of tools must be performed by a qualified technician.

This manual is considered to be a permanent part of the appliance. This manual and all supplied instructions, diagrams, schematics, parts breakdown illustrations, notices and labels must remain with the appliance if it is sold or moved to another location.

This appliance is made in the USA. Unless otherwise noted, this appliance has American sizes on all hardware.

PRECAUTIONS AND GENERAL INFORMATION (continued)

OPERATIONAL NOTES:

REPLACE PREFILTER and REPLACE FILTER PACK indicator lights provide a timely warning that a system shut-down is imminent.

The actual time between the indicator light coming on and the loss of cooking appliance power will depend upon the cooking conditions.

Anytime a dirty PRE-FILTER is replaced, the system airflow will increase. If the condition of the FILTER PACK is marginal, the REPLACE FILTER PACK light could then come on. If this happens, a fresh FILTER PACK must be installed within a reasonably short time.

Use only genuine Wells replacement parts and filters, call (314) 678-6314 or your authorized Wells service agent. Parts supplied by others will void your warranty and may not provide safe operation.

Loss of airflow through the old filter pack will soon cause a system shut-down when the airflow falls below minimum vapor capture levels.

KEEP SPARE FILTER PACKS ON HAND.

IMPORTANT: If you decide to “get the most” out of the old filter pack, and continue to use it until a system shut-down happens, it is advisable to have a fresh filter pack readily at hand, and have someone available who is capable of replacing it. Otherwise, you may experience an extended down time, with consequent associated loss of business.

The manufacturer assumes no liability for loss of business due to a system shutdown caused by a dirty pre-filter and/or filter pack (i.e. red SERVICE REQUIRED light is on), when the user fails to have the proper replacement pre-filter and/or filter pack on hand.

The Ventless Cooking System™ hood is designed as part of a WELLS cooking appliance only. No other use of this product is authorized by the manufacturer or its agents. Wells Mfg. assumes no liability for the use of this equipment with products by any other manufacturer's, or for use of this equipment with any Wells Manufacturing product other than in factory certified applications.

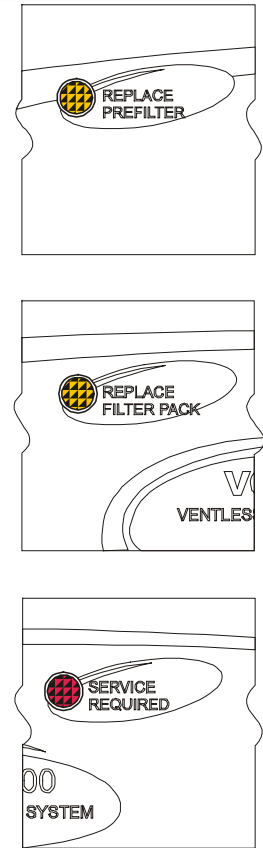


Fig. 5 Ventilator
Warning
Indicators

AGENCY LISTING INFORMATION

This appliance conforms to NSF Standard 4 for sanitation only if installed in accordance with the supplied *Installation Instructions* And operated and maintained in accordance with the instructions in this manual.

This appliance is  listed under UL File E146882.



STD 4



E146882



UL710B CATEGORY KNKG
RECIRCULATING SYSTEM
E146887

INSTALLATION

NOTE: DO NOT discard the carton or other packing materials until you have inspected the appliance for hidden damage and tested it for proper operation. Refer to *SHIPPING DAMAGE CLAIM PROCEDURE* on the inside front cover of this manual.



WARNING: RISK OF INJURY

Installation procedures must be performed by a qualified technician with full knowledge of all applicable electrical codes. Failure can result in personal injury and property damage.



WARNING: FIRE HAZARD

Avoid storing flammable or combustible materials near the appliance.

UNPACKING & INSPECTION

Carefully remove the appliance from the carton. Remove all protective plastic film, packing materials and accessories from the Appliance before connecting electrical power or otherwise performing any installation procedure.

Carefully read all instructions in this manual and the *Installation Instruction Sheet* packed with the appliance before starting any installation.

Read and understand all labels and diagrams attached to the appliance.

Carefully account for all components and accessories before discarding packing materials. Store these components in or near the appliance for later use. These items must be installed before operating the appliance.

1 ea. FIRE SUPPRESSION AGENT (**ANSULEX® Low pH**, 1.5 GAL.)

See Material Safety Data Sheet, page 28.

1 ea. FIRE SUPPRESSION MEDIA TANK

1 ea. FIRE SUPPRESSION TANK CHARGING CARTRIDGE

1 ea. GREASE BAFFLE

1 ea. FILTER PACK ASSEMBLY

1 ea. PRE-FILTER HOLDER with PRE-FILTER

1 ea. GREASE CUP

1 ea. GREASE TROUGH

2 ea. 6" SIDE SPACERS

1 ea. LITERATURE PACKAGE

Additionally:

1 ea. FAN BAFFLE

2 ea. RACK SUPPORTS

3 ea. CONVECTION OVEN RACKS

SETUP

Setup the appliance only on a firm level surface. Non-combustible material is recommended.

Refer to the *Installation Instruction Sheet* for required clearances. Maintain required clearances between the appliance and adjacent combustible surfaces. Verify 6" left and right side clearances to combustible construction. This appliance requires a **minimum of 8 ft (96")** (floor to overhead) to allow for adequate exhaust.

IMPORTANT: Provided 6" side spacers (item 58) must be installed on the appliance.

Verify that the VENTILATOR HOOD ASSEMBLY is properly and securely assembled to the cooking appliance before beginning the installation procedure.

If a remote manual pull station is to be installed, replace the rear casters with legs.

Level the unit after it is in its final position. Using a spirit level, verify that the unit is level front-to-back and side-to-side.

INSTALLATION (continued)

SERVICE TECHNICIAN INSTALLATION NOTES


An Ansul® technician must charge and arm the fire suppression system before the ventilator blower will operate. See page 10.

Installation and start up must be performed by an Authorized Installation Company.

Installer must complete the WARRANTY REGISTRATION form, and record appliance installation particulars on the CUSTOMER SERVICE DATA form in this manual.

Certain codes require cooking equipment to be restrained with a RESTRAINT DEVICE. It is the RESPONSIBILITY OF THE INSTALLER to check with the authority having jurisdiction, in order to ascertain the applicability of this requirement to this specific EQUIPMENT installation. Any restraint device must allow access to the back and sides of the unit to provide for servicing and maintenance, and must not interfere with the operation of the FIRE SUPPRESSION SYSTEM.

ELECTRICAL INSTALLATION

1. This appliance must be installed by a licensed electrician in accordance with all applicable codes and ordinances.
Electrical connection terminal block and ground lug are accessible by removing the right side panel.
2. Refer to the nameplate on the right side of the appliance. Verify the ELECTRICAL SERVICE POWER. Voltage and phase must match the nameplate specifications, and available electrical service amperage must meet or exceed the specifications listed on page 1 Wiring must be no less than 4 AWG solid copper wire, rated for at least 90°C.
NOTE: Wire gauge, insulation type and temperature rating, as well as type, size and construction of conduit, must meet or exceed applicable specifications of local codes and of the National Electrical Code.
3. This appliance must be connected to a suitable building ground. The equipment ground connection is marked "  ".
4. The appliance is shipped from the factory wired for 3-phase electrical service. Refer to the Wiring Diagram included with this appliance, and verify that field wiring conforms to this diagram.

IMPORTANT: This appliance is not approved for 1Ø operation. Conversion of this appliance to single-phase operation will void the warranty.

IMPORTANT!

Verify that this VENTILATOR and food cooking equipment installation is in compliance with the specifications listed in this manual, with local code requirements, and in accordance with N.F.P.A 96 (THE STANDARD FOR VENTILATION CONTROL AND FIRE PROTECTION OF COMMERCIAL COOKING OPERATIONS - current edition).

THIS IS THE RESPONSIBILITY OF THE INSTALLER



**DANGER
ELECTRIC
SHOCK
HAZARD**

ELECTRIC CONNECTIONS MUST BE MADE BY A LICENSED ELECTRICIAN. Electrical shock will cause death or serious injury.



**CAUTION:
ELECTRIC
SHOCK HAZARD**

The ground lug of this appliance must be connected to a suitable building ground. NOTE: This appliance requires a dedicated 60 Amp electrical branch circuit protection.

IMPORTANT:

Contact a licensed electrician to install and connect electrical power to the appliance.

IMPORTANT:

Damage due to being connected to the wrong voltage or phase is NOT covered by warranty.

INSTALLATION (continued)



**DANGER
FIRE
HAZARD**



THE FIRE SUPPRESSION SYSTEM MUST BE CHARGED AND CERTIFIED BY AN AUTHORIZED ANSUL® DISTRIBUTOR. NEVER ATTEMPT TO MODIFY OR BYPASS THE FIRE SUPPRESSION SYSTEM. AN UNCONTROLLED FIRE CAN CAUSE SERIOUS INJURY, DEATH AND/OR PROPERTY LOSS.

IMPORTANT: The FIRE SUPPRESSION SYSTEM must be SET-UP and CHARGED by an authorized Ansul® distributor before the ventilator blower will operate.

NOTE: If the fire suppression system is discharged, a buzzer will sound continuously and the cooking appliance will remain inoperable until the fire suppression system is serviced. Recharging and resetting must be performed by an authorized Ansul® distributor ONLY. Charging of the Ansul Fire Suppression system must be in accordance with Ansul® Design, Installation, Recharge and Maintenance Manual. (Ansul® #418087-05)

FIRE SUPPRESSION SYSTEM INSTALLATION

1. Any REMOTE MANUAL PULL STATION must be installed by an authorized ANSUL® distributor in accordance with the AUTHORITY HAVING JURISDICTION.

NOTE: If a REMOTE MANUAL PULL STATION is installed, moving the unit for servicing will cause the Ansul® system to discharge. In this case, the unit must only be installed with four fixed legs (i.e. remove rear casters and replace with legs). Additional legs may be ordered through an Authorized Wells Service Agency. See page 25.

2. The FIRE SUPPRESSION SYSTEM is comprised of a pressurized cartridge & container of liquid fire suppressant, with associated plumbing and controls. It utilizes factory installed FUSIBLE LINKS for automatic actuation, and a factory installed MANUAL PULL STATION for manual actuation. Two NOZZLES are used to disperse the liquid fire suppression media.

3. When the fire suppression system activates, the fire suppression media is discharged, both the cooking appliance and the ventilator are de-energized, and a buzzer will sound continuously. The fire suppression media will form an emulsion designed to both smother and cool the fire.

Call your Authorized Ansul® Distributor immediately for service.

NOTE: See page 28 for the Material Safety Data Sheet for the fire suppression agent.

4. The MANUAL PULL STATION and any similar REMOTE MANUAL PULL STATION will activate the fire suppression system when the ring on the pull station is pulled horizontally.

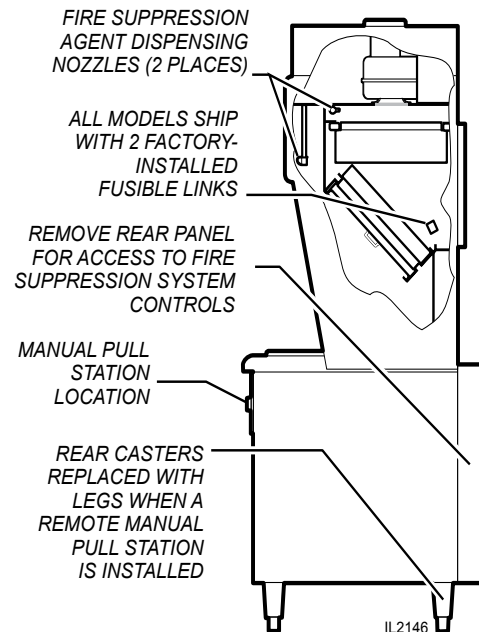


Fig. 6 Fire Suppression System

INSTALLATION (continued)

FILTERS INSTALLATION

FILTER PACK: Ships installed in the hood. If the FILTER PACK is not in position, the CHECK FILTERS indicator will light. If the FILTER PACK becomes clogged, the REPLACE FILTER PACK indicator will glow.

To install the FILTER PACK: Position the filter pack with the charcoal portion UP. Slide the filter pack toward the rear of the unit until it contacts the guides on the back panel. Push the filter pack UP into the upper opening until it rests firmly against the filter pack seal.

When up in position, holder clips can be snapped over wall ledge on each side. To remove FILTER PACK: Grasp both holder clips and pull INWARD until the clips clear the sidewall ledge. Then, pull the filter pack down and out.

PRE-FILTER: The PRE-FILTER ships in the FILTER FRAME. If the PRE-FILTER is not in position, or if the PRE-FILTER is not in the FILTER FRAME, the CHECK FILTERS indicator will light. If the PRE-FILTER becomes clogged, the REPLACE PRE-FILTER indicator will glow.

To install the PRE-FILTER: Pay attention to the air flow markings. The AIR FLOW arrow will point away from the installer. Slide the assembly up into the front opening, behind the upper filter rail.

While pressing slightly against the bottom of the assembly, pull the FILTER HANDLE toward you so as to engage the FILTER HOOK over the lip of the top filter rail. Then lower and seat the assembly into the top indentation of the lower filter rail.

GREASE BAFFLE: If the GREASE BAFFLE is not in place, the CHECK FILTERS indicator will glow.

To install the GREASE BAFFLE: Slide the grease baffle up into the indentation of the upper filter rail, then lower and seat it into the bottom indentation of the lower filter rail. Pull toward you and downward to verify the GREASE BAFFLE is properly seated in the lower frame rail.

NOTE:

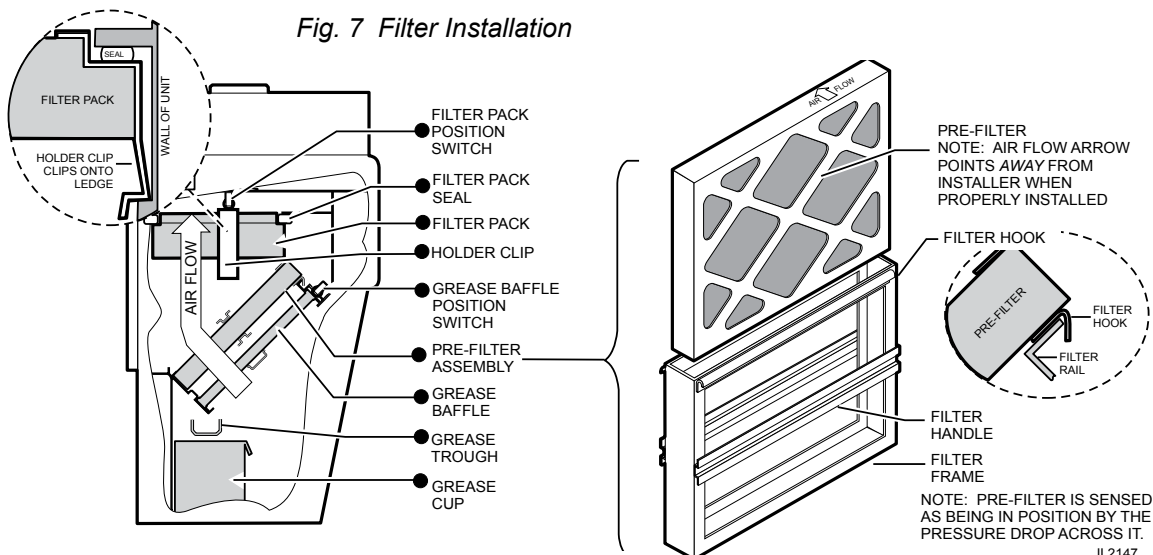
The GREASE BAFFLE and FILTER PACK activate mechanical switches, and the PRE-FILTER activates a vacuum switch, to verify that the filter elements are in their proper positions. All filter elements must be properly installed or the cooktop will not be energized. Also, the CHECK FILTERS indicator will light.

IMPORTANT:

The filter hook prevents the PRE-FILTER from being drawn in during operation. After installation, press against the top of the filter frame to verify proper engagement of the filter hook over the lip of the top filter rail.

Use only genuine Wells parts and filters, call (314) 678-6314 or your authorized Wells service agent. Parts supplied by others will void your warranty and may not provide safe operation.

Fig. 7 Filter Installation



INSTALLATION (continued)



WARNING
SLIP / FALL
HAZARD
SPILLED OIL



DO NOT OPERATE UNLESS
THE GREASE CUP IS
INSTALLED.

Oil and moisture will drip onto
the floor and falls may result.
Death or serious injury may
result from slipping and falling



CAUTION:
BURN HAZARD



DO NOT OPERATE UNLESS
GREASE TROUGH IS
INSTALLED.

Moisture will drip into the hot
cooking surface, causing
splattering of hot liquids.
Serious injury can result from
contact with hot splatter.

GREASE TROUGH AND GREASE CUP INSTALLATION

1. Install the GREASE TROUGH into the brackets below the grease baffle.
2. Install the GREASE CUP on the right side of the unit, directly below the grease trough.

OVEN RACK INSTALLATION

1. Install fan baffle. Use care around the fan. The blades are sharp.
2. Install one rack support on the fan baffle, and one rack support on the left wall of the oven cavity.
3. Install racks as needed for the product being prepared.

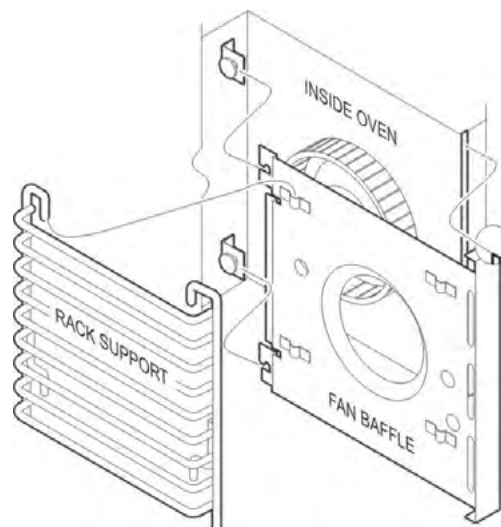


Fig. 8 Oven Rack Installation

OPERATION

VENTILATOR OPERATION

1. Press the VENTILATOR POWER switch to ON. The green VENTILATOR POWER light will glow and the blower fan will start. After a short time, if all filters are sensed as being in position and not clogged, the cooking appliance will be energized. The roll warmer is energized at all times. During normal operation, the VENTILATOR POWER light will be the only light glowing on the upper control panel.
2. If the amber CHECK FILTER light glows, one or more filter elements is out of position. Check the GREASE BAFFLE, PRE-FILTER and FILTER PACK for proper installation in their respective positions. Grease baffle and filter pack position are sensed by mechanical switches. Pre-filter position is sensed by a vacuum switch.
3. When the amber REPLACE PRE-FILTER light glows, the pre-filter is nearing the end of its service life. Replace the disposable PRE-FILTER ELEMENT.
4. When the amber REPLACE FILTER PACK light illuminates, the HEPA / Charcoal filter pack is nearing the end of its service life. Replace the filter pack.

Note: The REPLACE PRE-FILTER and REPLACE FILTER PACK lights are a warning that the indicated filter is near the end of its service life. The appliance will continue to operate for a period of time after the light glows to allow continued operation through a peak period. However, the indicated filters must be replaced within a reasonably short time period or they will clog and shut down electrical power to the cooking appliance. The ventilator blower will continue to run.

5. When the red SERVICE REQUIRED light glows, either the pre-filter or filter pack (or both) is clogged and can no longer pass sufficient air to allow further operation. The ventilator fan continues to run, but the cooking appliance is shut down until the underlying clogged filter situation has been corrected. This can occur when neither CHANGE...FILTER indicator light is lit, if both pre-filter and filter pack are marginal. Replacing both the pre-filter and the filter pack will remedy the situation.

NOTE: Replacing the pre-filter, even though not very dirty, will often extend the service life of the more expensive filter pack. Reset the unit by turning the VENTILATOR POWER switch to OFF, then back ON.

6. A failure of incoming electrical power will cause a shut down of the unit. After power is restored, reset the unit by turning the VENTILATOR POWER switch to OFF, then back ON.

NOTE: Oven, griddle and hotplate will not operate unless the fire suppression system is charged, and the ventilator section is operating



CAUTION: HOT SURFACE

Exposed surfaces can be hot to the touch and may cause burns.

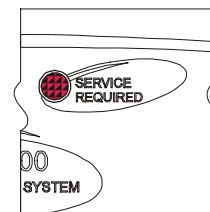
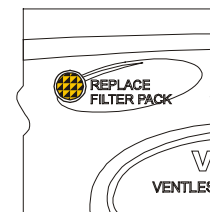
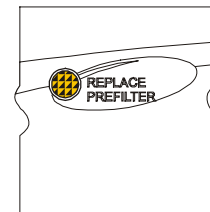
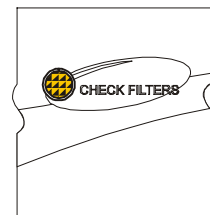
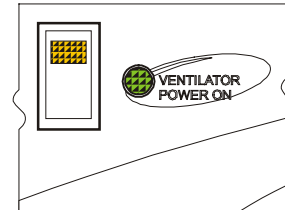


Fig. 9 Ventilator Indicator and Warning Lights

OPERATION (continued)

SUGGESTED COOKING TIMES

A. CONVECTION OVEN

PRODUCT	TEMP °F	TIME MINUTES	NUMBER OF RACKS
BREAD PRODUCTS			
Hamburger Roll	300	15	5
Bread (1 lb loaves)	325	34	3 (12 loaves)
Roll	300	16	5 (60 rolls)
Baking Soda Biscuit	400	7	3
For best baking results, use rack positions 2, 5 & 8 (where rack position 1 is the top rack)			
Baking one pan: use rack 5; baking 2 pans: use racks 2 & 8.			
PASTRIES			
Sheet Cake (2½ lbs. per pan)	300	17	5
Frozen Fruit Pie (46oz.)	350	50	5 (10 pies)
Frozen Fruit Pie (26oz. - 8" dia.)	350	40	5 (15 pies)
Sugar Cookie	300	15	5
Danish Roll	350	12	5
Fruit Cake	275	75	3
Cake (1 lb.)	300	19	5 (10 cakes)

OTHER

Melted Cheese Sandwich	400	8	5
Idaho Potato (120 potatoes)	450	40	5
Macaroni & Cheese	350	30	5

NOTE: "HIGH" fan speed provides the fastest cook time. "LOW" fan speed is used for foods which are sensitive to air currents, such as meringue pie.

OPERATION (continued)

CONVECTION OVEN OPERATING INSTRUCTIONS

A. MANUAL COOK MODE

1. Set the OVEN POWER SWITCH (C.01) to ON. The OVEN POWER ON INDICATOR (C.03) will glow when the switch is ON.
2. Rotate OVEN TEMPERATURE CONTROL knob (C.07) until the desired cooking temperature is displayed on the READOUT (C.05A). The oven will begin heating, and the temperature digits will flash, until the set temperature is reached.
3. Rotate OVEN TIME CONTROL knob (C.06) until the desired time is displayed on the READOUT. The digits and colon will flash, indicating that time has been set but the timer is not started.
4. Load product in the oven. Press START TIMER key (C.08). The timer digits count down and the colon (only) flashes during the timer period.
5. At the end of the timer period, an audible alarm will sound. Press CANCEL key (C.11) to silence the alarm.

SUGGESTION: For best baking results when making baking soda biscuits, use rack positions 2, 5 & 8 (where rack position 1 is the top rack). When baking one pan: use rack 5 (center rack); when baking 2 pans: use racks 2 & 8; when baking three pans: use racks 2, 5 & 8.

B. PROGRAM COOK MODE

1. Five (5) programmable keys (C.10) are provided for presetting frequently used time / temperature combinations. To set the program:
 - a. Press and hold the appropriate PGM key.
 - b. While holding the PGM key, turn the TIME and TEMP knobs until the desired time and temperature is displayed on the readout.
 - c. Release the PGM key to store the displayed time and temp in memory.
2. The program for any PGM key can be recalled by momentarily pressing that PGM key.
3. To start a programmed cook cycle, press the appropriate PGM key and the START TIME key. Once the cook cycle has started, the TIME and TEMP knobs are locked out to prevent accidental re-programming.
4. The actual oven temperature may be recalled at any time by pressing the ACTUAL TEMP key (C.09).
5. At the end of the timer period, an audible alarm will sound. Press CANCEL key (C.11) to silence the alarm.



CAUTION: HOT SURFACE

Exposed surfaces can be hot to the touch and may cause burns.



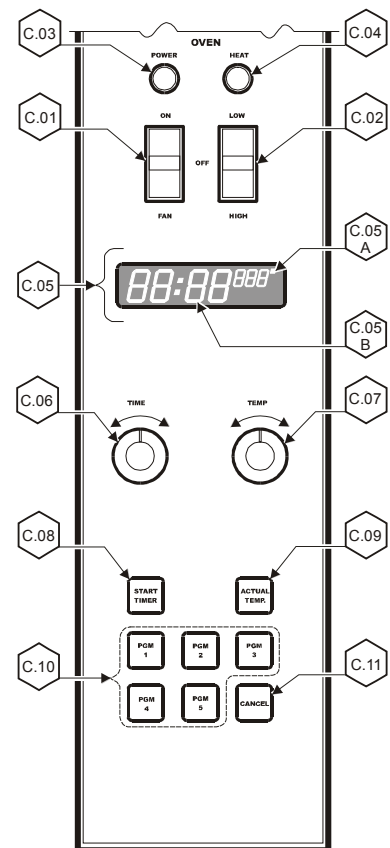
CAUTION: ELECTRIC SHOCK HAZARD

DO NOT splash or pour water onto control panel or wiring.



CAUTION: ELECTRIC SHOCK HAZARD

DO NOT operate the unit if the keypad is torn or broken.



OPERATION (continued)



CAUTION: HOT SURFACE

Exposed surfaces can be hot to the touch and may cause burns.



CAUTION: BURN HAZARD

Do not attempt to clean the oven until it has cooled to 150°F or less. See **CLEANING INSTRUCTIONS**, page 18.



CAUTION: ELECTRIC SHOCK HAZARD

DO NOT splash or pour water onto control panel or wiring.

IMPORTANT:

To extend the life of your appliance and internal components, allow the oven, and hotplates to cool to 200°F or less before turning the ventilator off.

C. TEMPERATURE OFFSET MODE

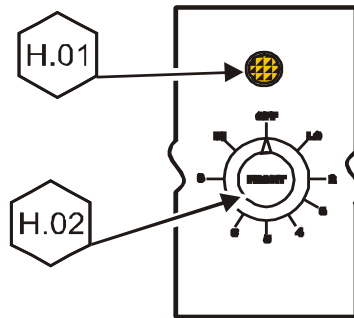
1. A user preference offset mode is provided should the user feel the oven cooks too hot or too cold.
2. The OFFSET MODE can be used to offset the set / displayed temperature from the sensed temperature by as much as $\pm 35^{\circ}\text{F}$, in 5°F increments:
 - a. Rotate the TIME controller until the time digits on the display read "00:00".
 - b. Rotate the TEMP control until the temp digits display between 400° and 500° .
 - c. Press and hold the START TIMER key for five seconds.
 - d. Turn either the TIME or TEMP control until the desired offset is displayed.
 - e. Press the ACTUAL TEMP key to exit.

OPERATION (continued)

HOTPLATE OPERATING INSTRUCTIONS

A. COOKING WITH YOUR HOTPLATE

1. Each element is individually controlled by a TEMPERATURE CONTROL (H.01 and H.03). These are infinite switch controls which control based on electrical current draw, not the actual temperature of the hotplate surface.
2. Settings are OFF to HIGH.
3. The associated indicator will glow when the switch is in any position other than OFF.
4. When set to HIGH, the hotplate element can reach maximum temperature in approximately 10 minutes.
5. Once liquid begins to boil, reduce the setting to minimize power consumption and increase the useful life of the elements.
6. Use cooking pans which fully cover the elements for maximum efficiency. Maximum recommended pot diameter is 10 inches.



CAUTION: HOT SURFACE

Exposed surfaces can be hot to the touch and may cause burns.



CAUTION: ELECTRIC SHOCK HAZARD

DO NOT splash or pour water onto control panel or wiring.



CAUTION: ELECTRIC SHOCK HAZARD

Use extreme caution when using double broiler-type pans: DO NOT over fill the lower pan with water, which can cause an overflow. Any moisture splashed onto the hotplate top can leak into the lower areas of the oven causing a potential shock hazard and causing severe damage to the electronic controller.

NOTE: Damage caused by moisture leaking into the electronic controller is NOT covered by warranty.

IMPORTANT:

The dial markings are an INDICATION of temperature only. The temperature of the food product depends on many factors, including the size, shape and material of the food container, and the quantity and consistency of the food product.

CLEANING INSTRUCTIONS



CAUTION: CUT HAZARD

Use due care when cleaning near fan. Blades are sharp.



CAUTION: ELECTRIC SHOCK HAZARD

DO NOT splash or pour water onto control panel or wiring.



CAUTION: HEAT AND SMOKE HAZARD

Keep the ventilator fan running during any “hot surface” cleaning operation to avoid a build-up of heat and/or smoke.

IMPORTANT: Avoid Fire Suppression System discharge!

Keep the ventilator fan running during any “hot surface” cleaning operation to avoid melting a fusible link and causing a discharge of the fire suppression media.

IMPORTANT:

Always rub / wipe in the direction of the polish lines or grain of the metal.

CONVECTION OVEN CLEANING INSTRUCTIONS

PRECAUTIONS

Turn oven power switch to FAN
Allow oven to cool

FREQUENCY

As Noted

TOOLS

Mild Detergent, Soft Cloth or Sponge
Plastic Scouring Pad
Spray Bottle
Commercial Oven Cleaner/Degreaser

DAILY

1. Turn oven power switch to *FAN*; remove racks and take to back sink.
2. Let oven cool to 200°F. If oven is cooler than 200°F, raise temperature to no more than 200°F.
3. Mix oven cleaner/degreaser per manufacturer’s directions. Spray oven cleaner/degreaser solution onto soiled surfaces; then, close oven door and let stand for 5 min.
4. Open door slowly to allow steam to escape and allow oven to cool completely.
5. Wipe oven surfaces with a soft cloth, rinse cloth as necessary.
6. Re-spray any remaining soiled areas and scrub with a plastic scouring pad.
7. Rinse all surfaces with a clean soft damp cloth.
8. Wash, rinse, and sanitize oven racks and replace in oven.
9. Wipe exterior surfaces with a clean cloth dampened with clean water and a non-abrasive cleanser. Rinse by wiping with a clean cloth dampened with clean water.

HEAVY SOIL RECOVERY—As Needed

1. Turn oven power switch to *FAN*; remove racks and take to back sink.
2. Let oven cool to 200°F. If oven is cooler than 200°F, raise temperature to no more that 200°F.
3. Spray Oven Cleaner/Degreaser full strength onto soiled surfaces; then, close oven door and let stand for 5 min.
4. Open door slowly to allow steam to escape and allow oven to cool completely.
5. Wipe oven surfaces with a soft cloth, rinse cloth as necessary.
6. Re-spray any remaining soiled areas and scrub with a plastic scouring pad.
7. Rinse all surfaces with a clean soft damp cloth.
8. Wash, rinse, and sanitize oven racks and replace in oven.

CLEANING INSTRUCTIONS (continued)

HOTPLATE CLEANING INSTRUCTIONS

PRECAUTIONS	Turn oven controls to OFF Allow hotplates to cool
FREQUENCY	Daily
TOOLS	Mild Detergent, Soft Cloth or Sponge Non-abrasive Cleaner, Plastic Scouring Pad

1. Turn both controls to OFF. Allow both hotplate elements to cool.
2. Wipe the entire hotplate top panel using a clean cloth or sponge, dampened with hot water and a mild detergent. For burned-on foods or sauce spillage, use a non-abrasive cleanser applied with a plastic scouring pad.
3. Rinse hotplates and top panel with a soft cloth dampened with clean water.



CAUTION: BURN HAZARD

Turn off both hotplates and allow to cool before cleaning



CAUTION: ELECTRIC SHOCK HAZARD

DO NOT splash or pour water onto warmer, control panel or wiring.



CAUTION: HEAT AND SMOKE HAZARD

Keep the ventilator fan running during any "hot surface" cleaning operation to avoid a build-up of heat and/or smoke.

IMPORTANT: Avoid Fire Suppression System discharge!

Keep the ventilator fan running during any "hot surface" cleaning operation to avoid melting a fusible link and causing a discharge of the fire suppression media.

IMPORTANT:

This appliance is not jet stream approved. Do not direct water jet or steam jet at this appliance, or at any control panel or wiring. Do not splash or pour water on, in or over any controls, control panel or wiring.

IMPORTANT:

Always wipe or rub in the direction of the polish lines or grain of the metal.

CLEANING INSTRUCTIONS (continued)



CAUTION: ELECTRIC SHOCK HAZARD

Disconnect appliance from electric power before cleaning.



CAUTION: HOT SURFACE

Exposed surfaces can be hot to the touch and may cause burns. Allow appliance to cool before cleaning.

IMPORTANT:

Never allow PRE-FILTER or FILTER PACK to get wet. DO NOT wash either of these two filters. Washing these filters will ruin them and cause the appliance to shut-down.

IMPORTANT:

DO NOT spill or pour water into controls, control panel, wiring or coil-type hotplate elements. Damage to internal components will occur. Damage to internal components from water damage is **not** covered by warranty.

IMPORTANT:

DO NOT use steel wool or metal implements to clean drawers or cabinet surfaces.

VENTILATOR SECTION CLEANING INSTRUCTIONS

PREPARATION

Disconnect appliance from electric power
Allow to cool before cleaning

FREQUENCY Weekly

TOOLS

Warm water and a mild detergent
Soft clean cloth or sponge
Bristle brush
Container for disposal of grease

CLEANING

1. Disconnect appliance from electric power
2. Allow to cool before cleaning
3. Remove the grease baffle, pre-filter assembly, grease trough and grease cup. Empty the grease trough and grease cup.
4. Remove the pre-filter from the filter frame. Wash and rinse the filter frame ONLY.
5. Wash and rinse the grease baffle, grease trough and grease cup in a sink or dishwasher using mild detergent and warm water. Allow to air dry.
6. Reinsert the pre-filter into the filter frame. Reinstall the pre-filter, grease baffle, grease trough and grease cup.

Procedure is complete

TROUBLESHOOTING SUGGESTIONS

A. NO PART OF THE APPLIANCE WILL HEAT

1. Verify that appropriate cooking controls are ON.
2. Check electrical supply. Make sure service breaker is ON.
3. Make sure all filters are properly installed, and that no filter warning lights are lit.
4. Possible improper service wiring: Have a licensed electrician verify that all three legs of the 3 ϕ service are properly connected (i.e. Leg 1 to L1, Leg 2 to L2, Leg 3 to L3), and that all three legs are of the proper voltage and phase.
5. Ansul® Fire Suppression System not charged.

B. HOTPLATE WILL NOT HEAT

1. Verify that associated temperature control is set to the desired temperature.
2. Possible internal component damage: Have unit serviced by an Authorized Wells Service Agency.

C. CONVECTION OVEN WILL NOT HEAT See Error Codes diagram at right

1. Verify that the oven switch is ON and that the temperature control is set to the desired temperature.
2. Verify that the door is closed.
3. Hi-Limit control may have tripped: Allow unit to cool; Hi-Limit will reset automatically.
4. Blown fuse(s) (item 40): Correct cause of over-current and replace fuses with fuses having the same configuration and ratings.
5. Possible internal component damage: Have unit serviced by an Authorized Wells Service Agency.

D. CONVECTION OVEN FAN WILL NOT RUN

1. Verify that the oven switch is set to ON or FAN.
2. Verify that the fan switch is set to either HIGH or LOW.
3. Hi-Limit control may have tripped: Allow unit to cool; Hi-Limit will reset automatically.
4. Blown fuse(s): Correct cause of over-current and replace fuses with fuses having the same configuration and ratings.
5. Possible internal component damage: Have unit serviced by an Authorized Wells Service Agency.



CAUTION: ELECTRIC SHOCK HAZARD

Removal of any cabinet panel will result in exposed electrical circuits. Any procedure requiring the removal of any cabinet panel must be performed by a qualified technician only.

CONVECTION OVEN CONTROLLER ERROR CODES

- F1 Relay closed or relay ohms low when not cooking
- F2 Actual temperature 60°F ($\pm 35^\circ\text{F}$) greater than T-SET MAX
- F3 Open temperature sensor
- F4 Shorted temperature sensor
- F5 Relay open or relay ohms high when cooking
- F6 No 60 Hz (Cycles per second other than 60 Hz detected)

Have unit serviced by an Authorized Wells Service Agency.

NOTE: Other than the ventilator filters, there are no user serviceable components in the appliance. In all cases of damage or component malfunction, contact your Authorized Wells Service Agency for repairs.

MAINTENANCE INSTRUCTIONS



CAUTION: RISK OF INJURY

Disconnect appliance from electrical power before performing any of these procedures.



CAUTION: CUT HAZARD

Use due care when cleaning fan. Blades are sharp.

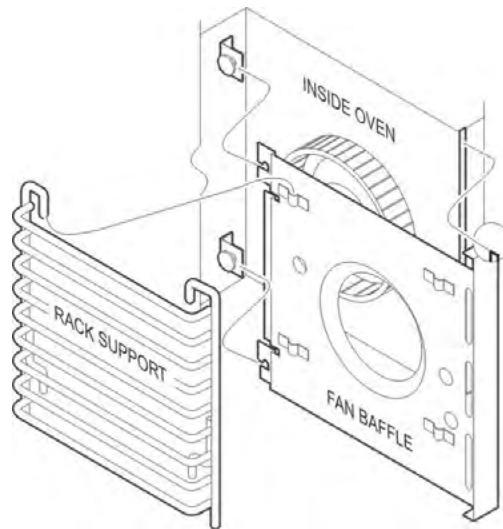
FAN CLEANING

PRECAUTIONS: Disconnect power at the circuit breaker.
Allow the oven to cool.

FREQUENCY: Monthly, at a Minimum; or, As Needed

TOOLS: Moist Cloth or Sponges
Bristle Brush

1. Disconnect power at the circuit breaker. Allow the oven to cool.
2. Remove RACKS by pulling toward the front. Lift to clear the stop pin. Remove left and right RACK SUPPORTS by lifting.
3. Remove BAFFLE by lifting the rear slightly and pulling straight out.
4. Brush fan wheel and wipe it with a moist cloth. Sponge out all loose particles.
5. Reassemble, paying particular attention that the lip on the right side of the fan baffle is fully seated in the slot in the edge of the oven cavity.



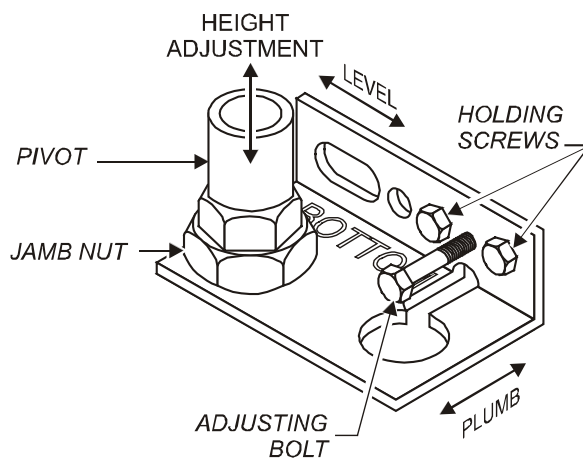
MAINTENANCE INSTRUCTIONS (continued)

HINGE ADJUSTMENT

- PRECAUTIONS:** None
- FREQUENCY:** Monthly, at a Minimum; or, As Needed
- TOOLS:** Phillips (+) Screwdriver
7/16" Nut Driver
7/8" and 1-1/8" Wrenches

THE FOLLOWING PROCEDURE IS TO BE PERFORMED BY QUALIFIED PERSONNEL ONLY

1. Remove bottom panel to access pivot.



2. Gap between top of door and frame, and between bottom of door and frame must be approximately equal

Adjust height of door by loosening jamb nut, then turning pivot on its screw mounting. Clockwise lowers the door height. Re-tighten jamb nut.

3. Gap between left side of door and frame must be the same from top to bottom

Adjust door for plumb by loosening holding screws. Turn adjusting bolt to increase or decrease gap at bottom. Clockwise increases gap. Re-tighten holding screws.

4. Gap between top of door and frame must be the same from side to side

Adjust door for level by loosening holding screws, then raising or lowering latch-end of door until it is level. Re-tighten holding screws.

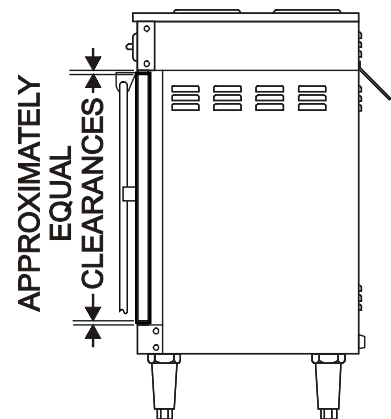
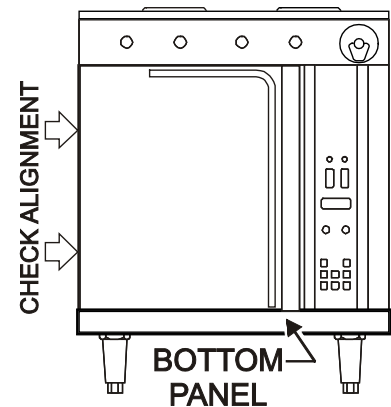
5. Reinstall bottom panel.

Procedure is complete



CAUTION: BURN HAZARD

Allow appliance to cool completely before adjusting.



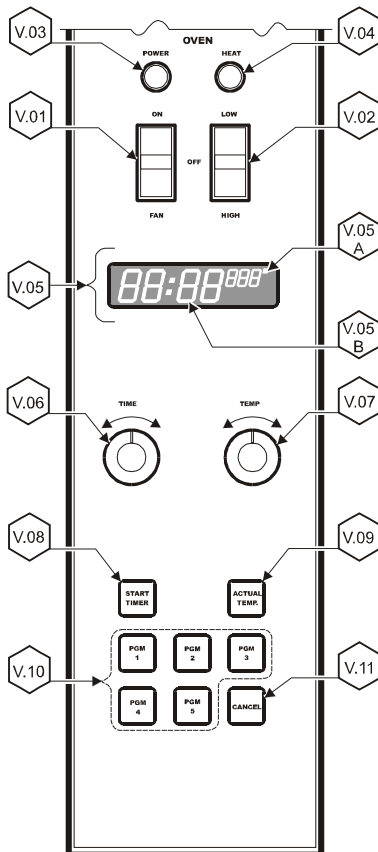
Hinge Adjustment

MAINTENANCE INSTRUCTIONS (continued)



CAUTION: Hot Surface

Exposed surfaces can be hot to the touch and may cause burns.



D. TEMPERATURE CALIBRATION

TOOLS: Digital Pyrometer with Oven Probe, Protective Gloves

1. With the oven empty, clamp the thermocouple sensor in the center of the middle rack:
 - a. Pass the thermocouple sensor wires through the corner of the door gasket and close the door.
 - b. Plug the sensor into the Pyrometer.
2. Turn the OVEN POWER (V.01) switch to ON. Turn the FAN switch (V.02) to HI.
 - a. Rotate the TIME control (V.06) until the time digits (V.05B) on the display read "60:00".
 - b. Rotate the TEMP control (V.07) until the temp digits (V.05A) display 375°.
 - c. Press the START TIMER key (V.08).
3. Allow the oven to heat for 45 minutes. If, after 45 minutes, the temperature display reads between 370° and 380°, the calibration is satisfactory. Otherwise:
 - a. Rotate the TIME controller until the time digits (V.05B) on the display read "00:00".
 - b. Rotate the TEMP control until the temp digits (V.05A) display between 400° and 500°.
 - c. Press and hold the START TIMER (V.08) key for five seconds.
 - d. Turn either the TIME or TEMP control until the desired offset is displayed.
 - e. Press the ACTUAL TEMP (V.09) key to exit. Procedure is complete.

MAINTENANCE SCHEDULES

1. 6-MONTH MAINTENANCE (MUST BE PERFORMED BY AN AUTHORIZED ANSUL® DISTRIBUTOR ONLY):
 - a. Inspect and test total operation including FIRE DAMPER and all SAFETY INTERLOCKS.
 - b. All FIRE SUPPRESSION SYSTEM actuation components including MANUAL PULL STATION and any REMOTE MANUAL PULL STATION must be inspected for proper operation in accordance with the maintenance schedule published in ANSUL® R-102 SYSTEM DESIGN, INSTALLATION, RECHARGE AND MAINTENANCE MANUAL (Ansul® #418087-05).
 - c. The FIRE SUPPRESSION SYSTEM FUSIBLE LINKS must be inspected. NOZZLES and MANUAL PULL STATION must be cleaned in accordance with ANSUL® R-102 SYSTEM DESIGN, INSTALLATION, RECHARGE AND MAINTENANCE MANUAL (Ansul® #418087-05).
 - d. The FIRE SUPPRESSION AGENT TANK, PIPING and FLEXIBLE TUBING must be INSPECTED.
2. 12-YEAR MAINTENANCE: (MUST BE PERFORMED BY AN AUTHORIZED ANSUL® DISTRIBUTOR ONLY):
 - a. The FIRE SUPPRESSION AGENT TANK and ¼" FLEX HOSE must be HYDROSTATICALLY TESTED, and the FIRE EXTINGUISHING AGENT must be REPLACED in accordance with the maintenance schedule published in ANSUL® R-102 SYSTEM (STANDARD UL 300 LISTED).
 - b. The FUSIBLE LINKS in plenum and damper must be REPLACED. This maintenance to be performed by qualified Ansul® service personnel only.

USE AND MAINTENANCE SHALL BE IN ACCORDANCE WITH THE STANDARD FOR VENTILATION CONTROL AND FIRE PROTECTION OF COMMERCIAL COOKING OPERATIONS, N.F.P.A 17A & N.F.P.A. 96 (current editions).



**DANGER
FIRE
HAZARD**

FAILURE TO PROPERLY CLEAN AND MAINTAIN THIS EQUIPMENT CAN

CAUSE A FIRE. AN UNCONTROLLED FIRE CAN CAUSE SERIOUS INJURY, DEATH AND/OR PROPERTY LOSS.

NOTE: A signed and dated VENTILATOR HOOD MAINTENANCE LOG must be maintained on the premises, and shall be available for inspection by the authority having jurisdiction. See pages 26 & 27.

IMPORTANT: Parts used for the Ansul® fire suppression system are not serviceable by the owner / operator. Procedures for servicing fire suppression equipment are described in:

ANSUL® R-102 SYSTEM DESIGN, INSTALLATION, RECHARGE AND MAINTENANCE MANUAL (Ansul® #418087-05).

Inspection shall be conducted on a monthly basis in accordance with the manufacturer's Operation Manual. At a minimum, this inspection shall include verification of the following:

WELLS BLOOMFIELD, LLC
VENTILATOR HOOD OWNERS MONTHLY INSPECTION LOG

OPERATION	AGENT / DATE												
Extinguishing system components: In proper place and (visually) in good order													
Manual pull station actuators for fire suppression system are unobstructed													
The maintenance log is in place and up to date													
No obvious physical damage or condition exists that might prevent operation of the fire suppression system													
The nozzle blow-off caps are in place and in good condition													
The hood, duct and protected cooking appliance have not been replaced, modified or relocated													
Clean plenum GREASE BAFFLE and BLOWER (max. interval: 3 months)													
Change PRE-FILTER and FILTER PACK (as required)													

This MAINTENANCE LOG is to be performed and completed by a trained technician who has completed the instruction necessary to perform the maintenance and recharge service.

**WELLS BLOOMFIELD, LLC
VENTILATOR HOOD MAINTENANCE LOG**

OPERATION		AGENT / DATE											
Clean and inspect discharge nozzle in plenum BEFORE filters Max. interval: 6 months													
Clean and inspect discharge nozzle in plenum AFTER filters Max. interval: 6 months													
Inspect fire suppression fuse links, all releasing devices for actuation, fire suppressant tank liquid level Max interval: 6 months (discharge of fire suppressant not a part of this test)													
Inspect fire suppression hoses, plumbing and tank for obstructions and any conditions such as, but not limited to, corrosion and pitting. Max. interval: 6 months													
Inspect and test all filter interlocks Max. interval: 6 months													
Replace two (2) fire suppression links in plenum: each link is rated @ 212°F Max interval: 12 months	Log TEMP												
	Log Mfg DATE Stamp												
Replace fire damper fusible link: rated @ 280°F Max interval: 12 months	Log TEMP												
	Log Mfg DATE Stamp												

THIS MAINTENANCE LOG MUST BE KEPT IN A PROTECTIVE COVER PERMANENTLY ATTACHED TO THE APPLIANCE
Log all repairs and recommendations on reverse side. Any repairs, other than replacement of factory authorized parts, to the fire suppression plumbing system must be subject to hydrostatic pressure testing.

ANSULEX Low pH

QUICK IDENTIFIER (In Plant Common Name)

Manufacturer's Name:	ANSUL INCORPORATED	Emergency Telephone No.:	CHEMTREC (800) 424-9300 or (703) 527-3887
Address:	One Stanton Street, Marinette, WI 54143-2542	Other Information Calls:	(715) 735-7411
Prepared By:	Safety and Health Department	Date Prepared:	February 1, 1999

SECTION 1 - IDENTITY

Common Name (Used on Label): (Trade Name and Synonyms)	ANSULEX Low pH Liquid Fire Suppressant	CAS No.:	N/A
Chemical Name:	N/A This is a Mixture	Chemical Family:	Mixture
Formula:	N/A		

SECTION 2 - INGREDIENTS

PART A - HAZARDOUS INGREDIENTS				
Principal Hazardous Component(s) (chemical and common name(s)):	Wt. %	CAS No.	ACGIH TLV	Acute Toxicity Data
None	N/A	N/A	N/A	N/A
PART B - OTHER INGREDIENTS				
Other Component(s) (chemical and common name(s)):	Wt. %	CAS No.	ACGIH TLV	Acute Toxicity Data
Proprietary Mixture of Organic and Inorganic Salts	48.0 - 50.0	N/A	N/E	NDA
Phosphoric Acid	0.2	7664-38-2	N/E	NDA
EDTA	0.65	64-02-8	N/E	NDA
Yellow-Green Fluorescent Dye	0.011	518-47-8	N/E	Oral LD ₅₀ (rat) 6800 mg/kg
Water	Approx. 50.0	7732-18-5	N/E	NDA

SECTION 3 - PHYSICAL AND CHEMICAL CHARACTERISTICS (Fire and Explosion Data)

Boiling Point:	113°C	Specific Gravity (H ₂ O=1):	1.33	Vapor Pressure (mm Hg):	Not Determined
Percent Volatile by Volume (%):	Approx. 50.0	Vapor Density: (Air = 1):	1.03	Evaporation Rate: (Butyl Acetate=1):	Approx. 0.005
Solubility in Water:	100%	Reactivity in Water:	Mild exothermic reaction		
Appearance and Odor:	Fluorescent Yellow Colored Liquid, Mild Odor				
Flash Point:	None to boiling	Flammable Limits in Air % by Volume:	N/A	Extinguisher Media:	N/A
Auto-Ignition Temperature:	N/A				
Special Fire Fighting Procedures:	NONE - THIS IS AN EXTINGUISHING AGENT				
Unusual Fire and Explosion Hazards:	None				

SECTION 4 - PHYSICAL HAZARDS

Stability:	Unstable <input type="checkbox"/> Stable <input checked="" type="checkbox"/>	Conditions to Avoid:	N/A
Incompatibility (Materials to Avoid):	Reactive Metals, ClF ₃ , electrically energized equipment, any material reactive with water.		
Hazardous Decomposition Products:	Not established, acrid fumes.		
Hazardous Polymerization:	May Occur <input type="checkbox"/> Will Not Occur <input checked="" type="checkbox"/>	Conditions to Avoid:	N/A

M506 2M-304964 Owners Manual W/OC-4H

SECTION 5 - HEALTH HAZARDS

ANSULEX Low pH (continued)

Threshold Limit Value:	None Established		
Routes of Entry: Eye Contact:	Irritant		
Skin Contact:	Irritant		
Inhalation:	Not an expected route of entry. Can be irritating to mucous membranes.		
Ingestion:	Irritating to mucous membranes. Acute Oral LD ₅₀ (Sprague-Dawley rats) 825.5mg/kg.		
Signs and Symptoms:	Acute Exposure: Material irritates skin, eyes, and mucous membranes. Chronic Exposure: None known.		
Medical Conditions Generally Aggravated by Exposure:	None known.		
Chemical Listed as Carcinogen or Potential:	National Toxicology Program: Yes <input type="checkbox"/> No <input checked="" type="checkbox"/>	I.A.R.C Monographs: Yes <input type="checkbox"/> No <input checked="" type="checkbox"/>	OSHA Yes <input type="checkbox"/> No <input checked="" type="checkbox"/>

SECTION 6 - EMERGENCY AND FIRST AID PROCEDURES

Eye Contact:	Flush and irrigate with water for 15 minutes while holding eyelids open. If irritation persists, seek medical attention.
Skin Contact:	Wash thoroughly with soap and water. If irritation persists, seek medical attention.
Inhalation:	Fresh air if symptoms occur. If irritation persists, seek medical attention.
Ingestion:	Dilute by drinking large quantities of water.

SECTION 7 - SPECIAL PROTECTION INFORMATION

Respiratory Protection (Specify Type):	N/A		
Ventilation:	Local Exhaust: N/A	Mechanical (General):	N/A
Protective Gloves:	Rubber gloves for spill/leak	Eye Protection:	Chemical goggles recommended during spill/leak procedures.
Other Protective Clothing or Equipment:	Eye wash and safety showers are good safety practice.		

SECTION 8 - SPECIAL PRECAUTIONS AND SPILL/LEAK PROCEDURES

Precautions to be taken in Handling and Storage:	Store in original container. Keep tightly closed. Keep separate from acid.
Other Precautions:	See incompatibility information in Section 4.
Steps to be taken in Case Material is Released or Spilled:	Stop leaks. Contain spills. Remove as much as possible. Place in closed container for proper disposal Wash spill area with large amounts of water to remove traces and neutralize.
Waste Disposal Methods:	Dispose of in compliance with local, state and federal regulations.

HAZARDOUS MATERIAL IDENTIFICATION SYSTEM

HAZARD INDEX	
4 SEVERE HAZARD	0 HEALTH
3 SERIOUS HAZARD	
2 MODERATE HAZARD	0 FLAMMABILITY
1 SLIGHT HAZARD	
0 MINIMAL HAZARD	0 REACTIVITY

N/A = Not Applicable NDA = No Data Available N/E = Not Established

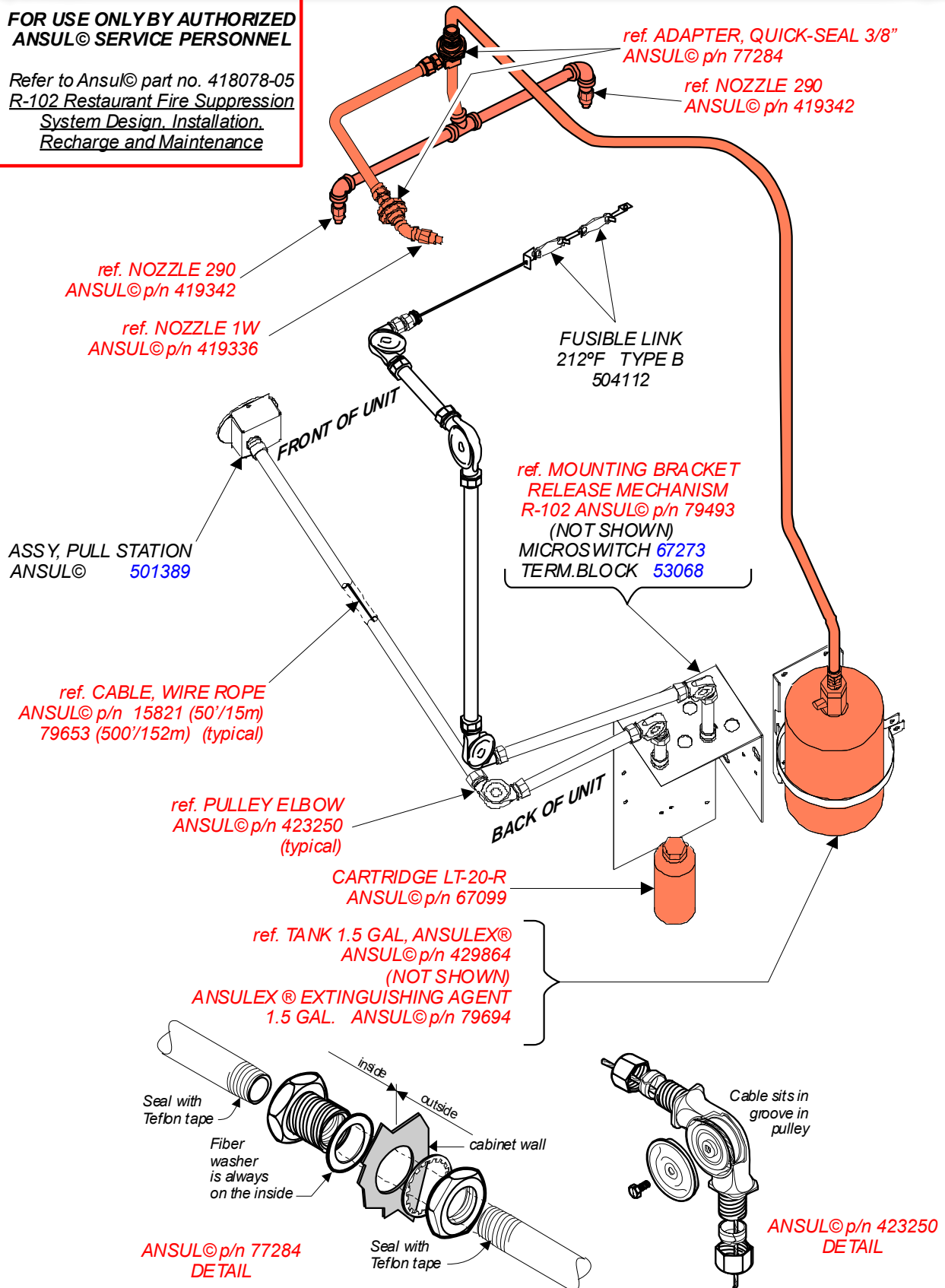
ANSUL and ANSULEX are registered trademarks.

Internet Address: <http://www.ansul.com>

ANSUL® FIRE SUPPRESSION SYSTEM COMPONENTS

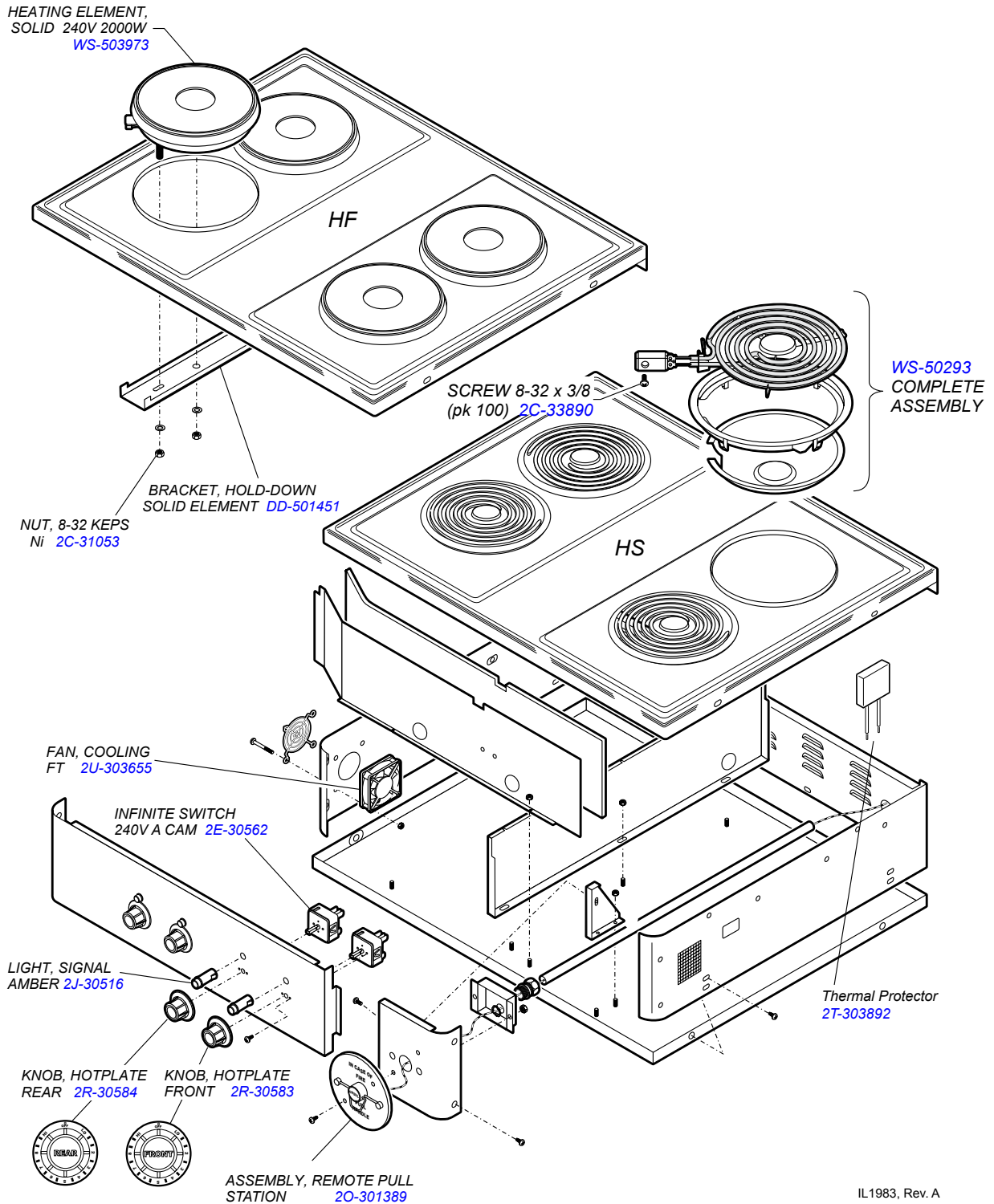
FOR USE ONLY BY AUTHORIZED ANSUL® SERVICE PERSONNEL

Refer to Ansul® part no. 418078-05
R-102 Restaurant Fire Suppression
System Design, Installation,
Recharge and Maintenance



EXPLODED VIEW & PARTS LIST

COOKTOP SECTION COMPONENTS

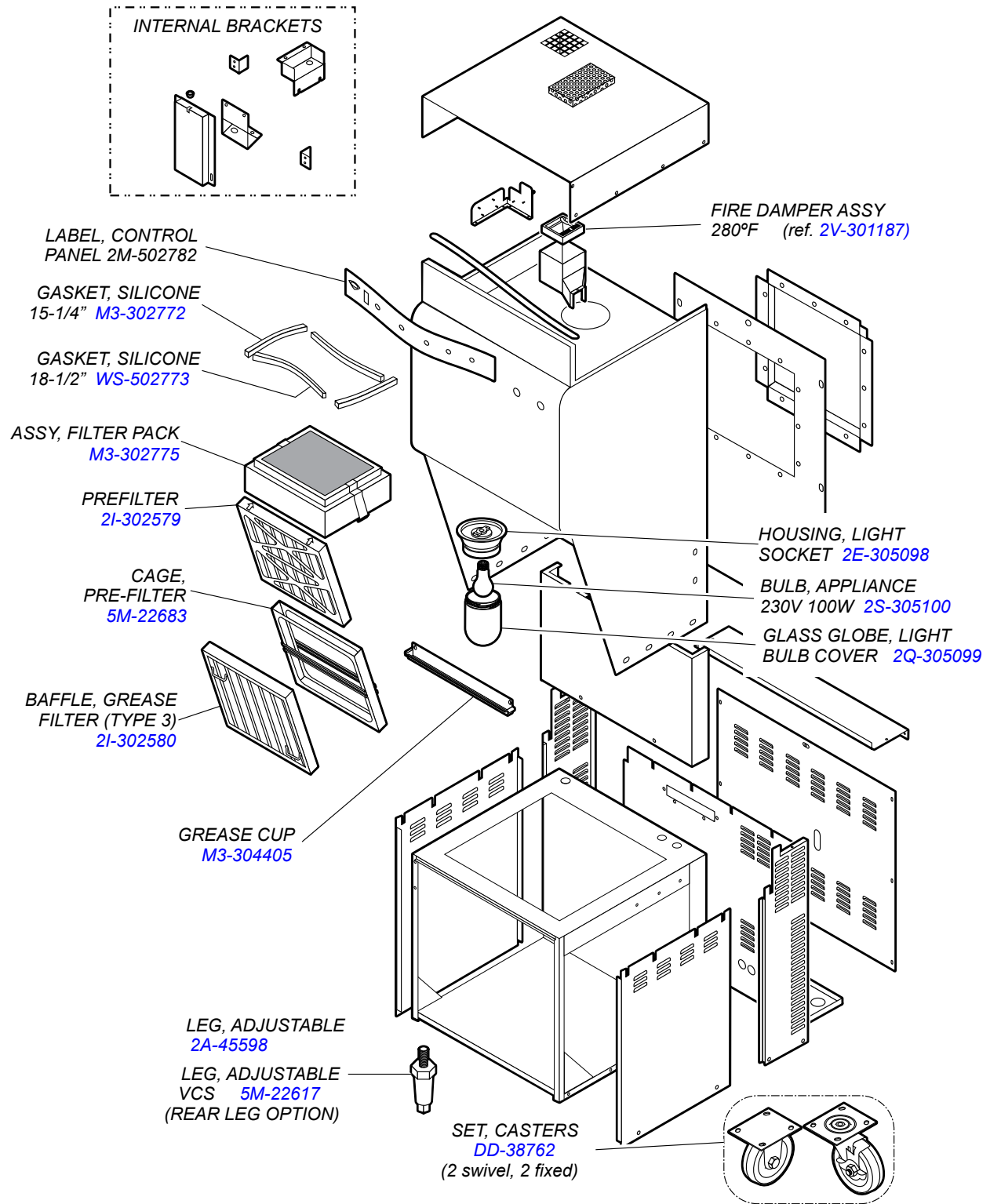


M506 2M-304964 Owners Manual WVOC-4H

IL1983, Rev. A

EXPLODED VIEW & PARTS LIST

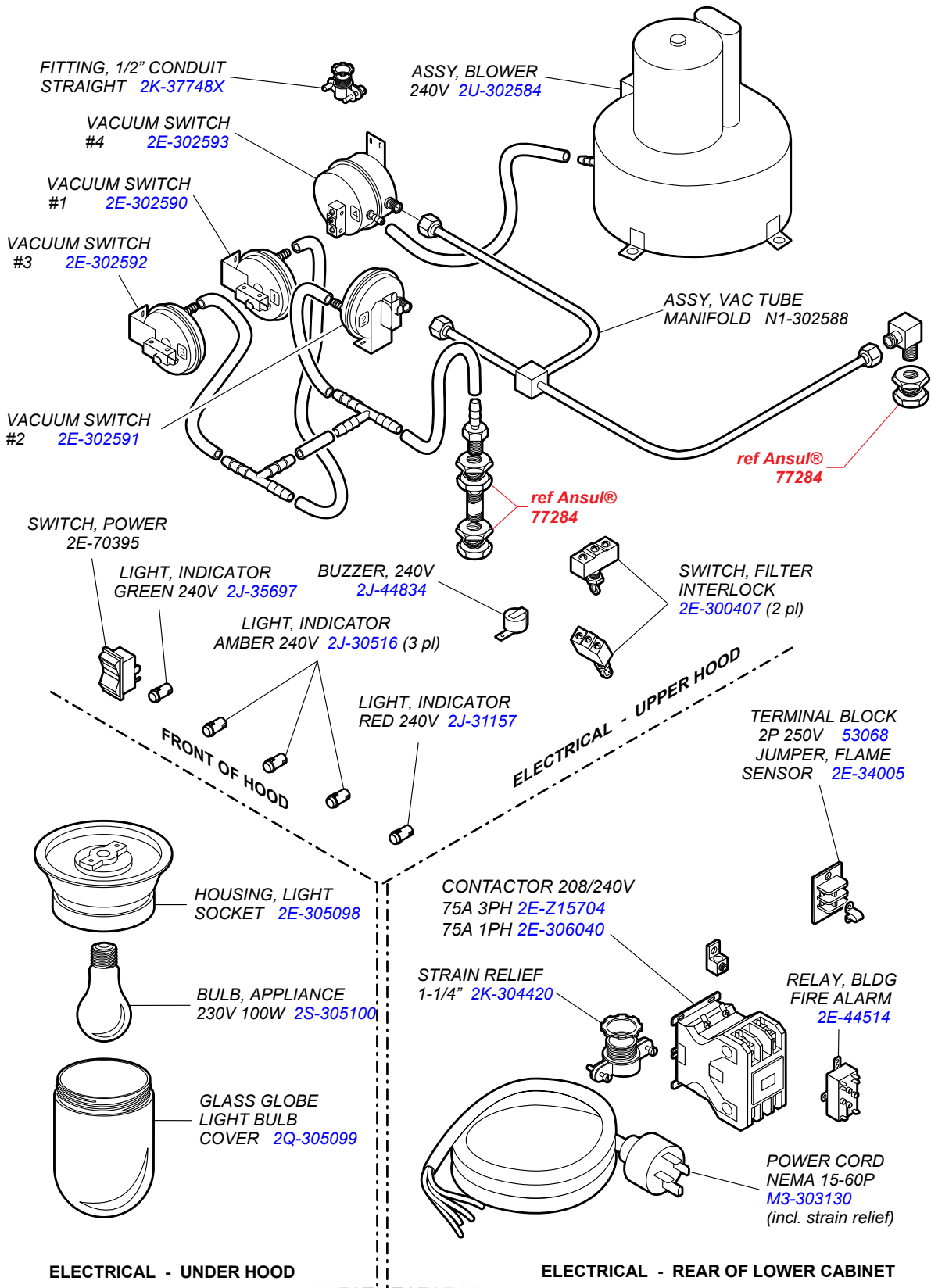
HOOD SECTION - CABINET COMPONENTS



IL1984a

EXPLODED VIEW & PARTS LIST

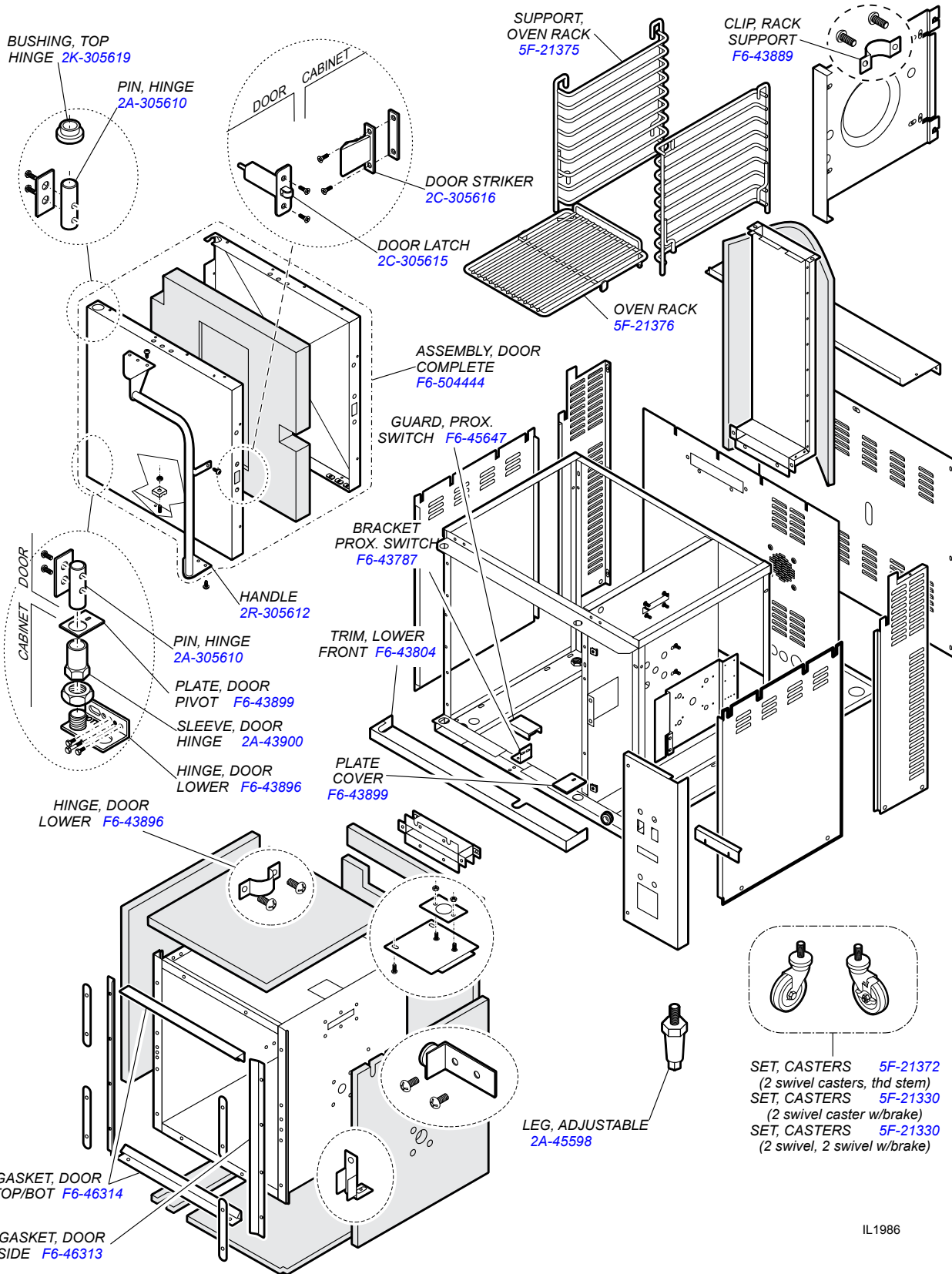
HOOD SECTION - ELECTRICAL & VACUUM COMPONENTS



M506 2M-304964 Owners Manual WVOC-4H

EXPLODED VIEW & PARTS LIST

CONVECTION OVEN SECTION - CABINET COMPONENTS

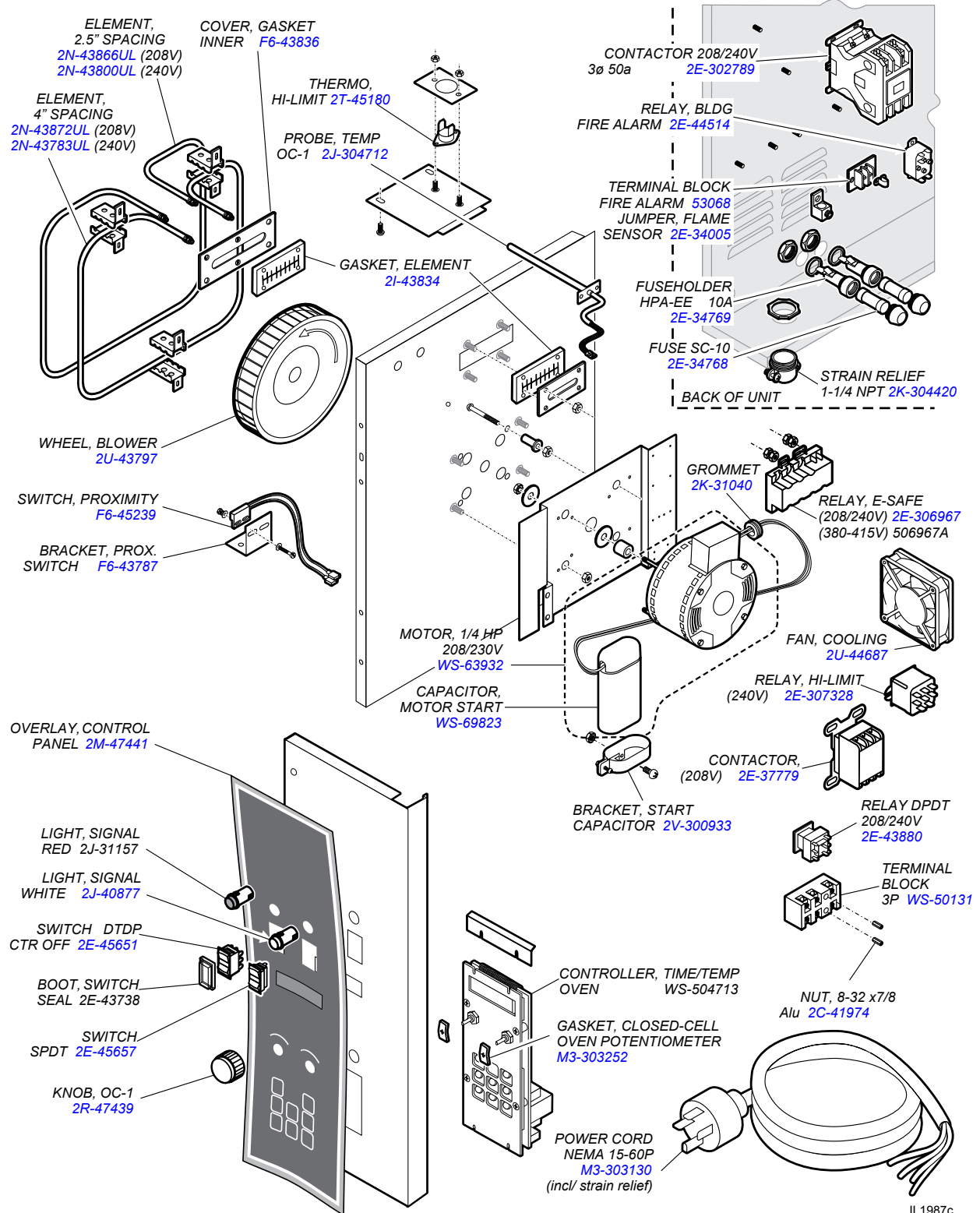


M506 2M-304964 Owners Manual WVOC-4H

IL1986

EXPLODED VIEW & PARTS LIST

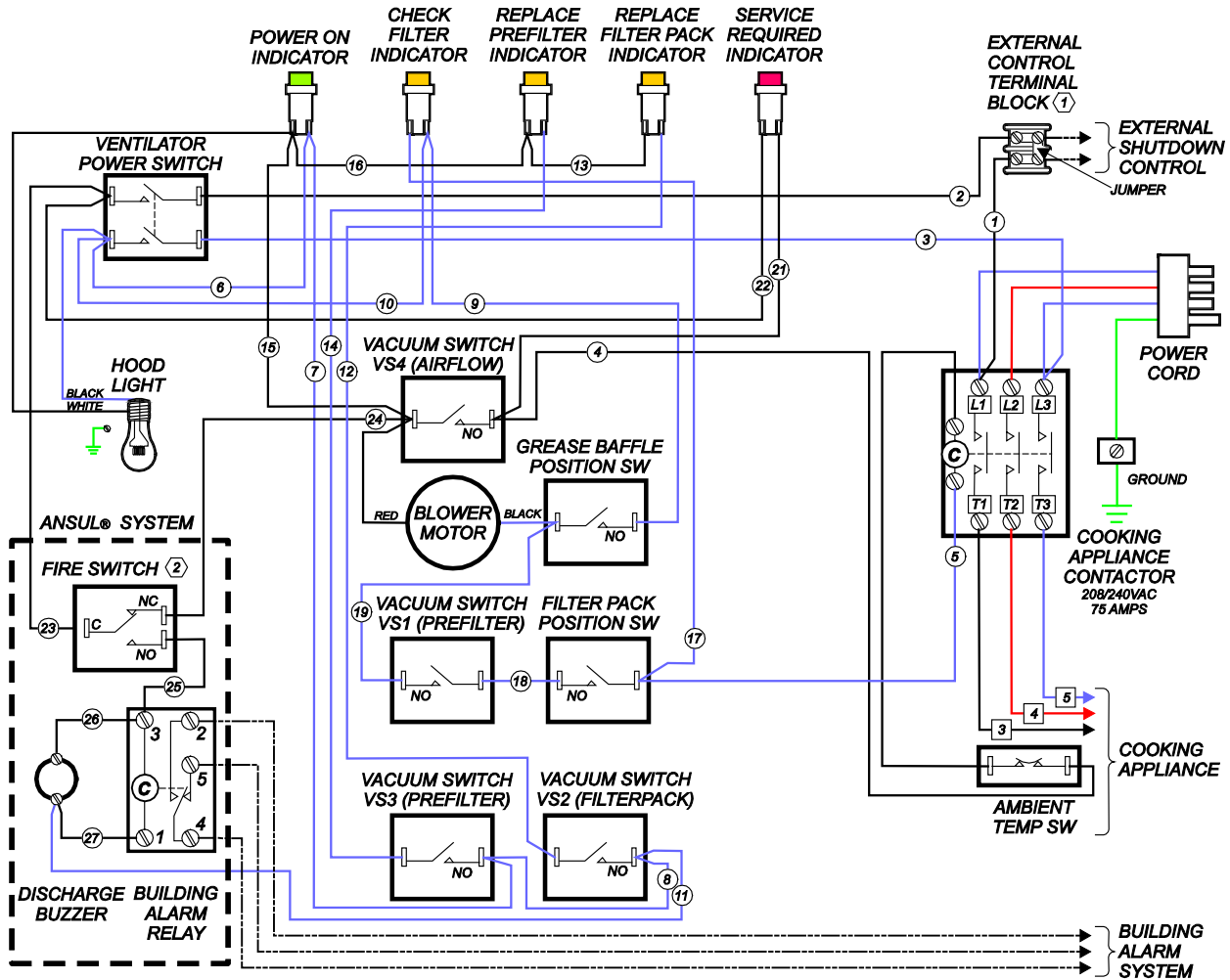
CONVECTION OVEN SECTION - ELECTRICAL COMPONENTS



IL1987c

WIRING DIAGRAM

HOOD SECTION



NOTES

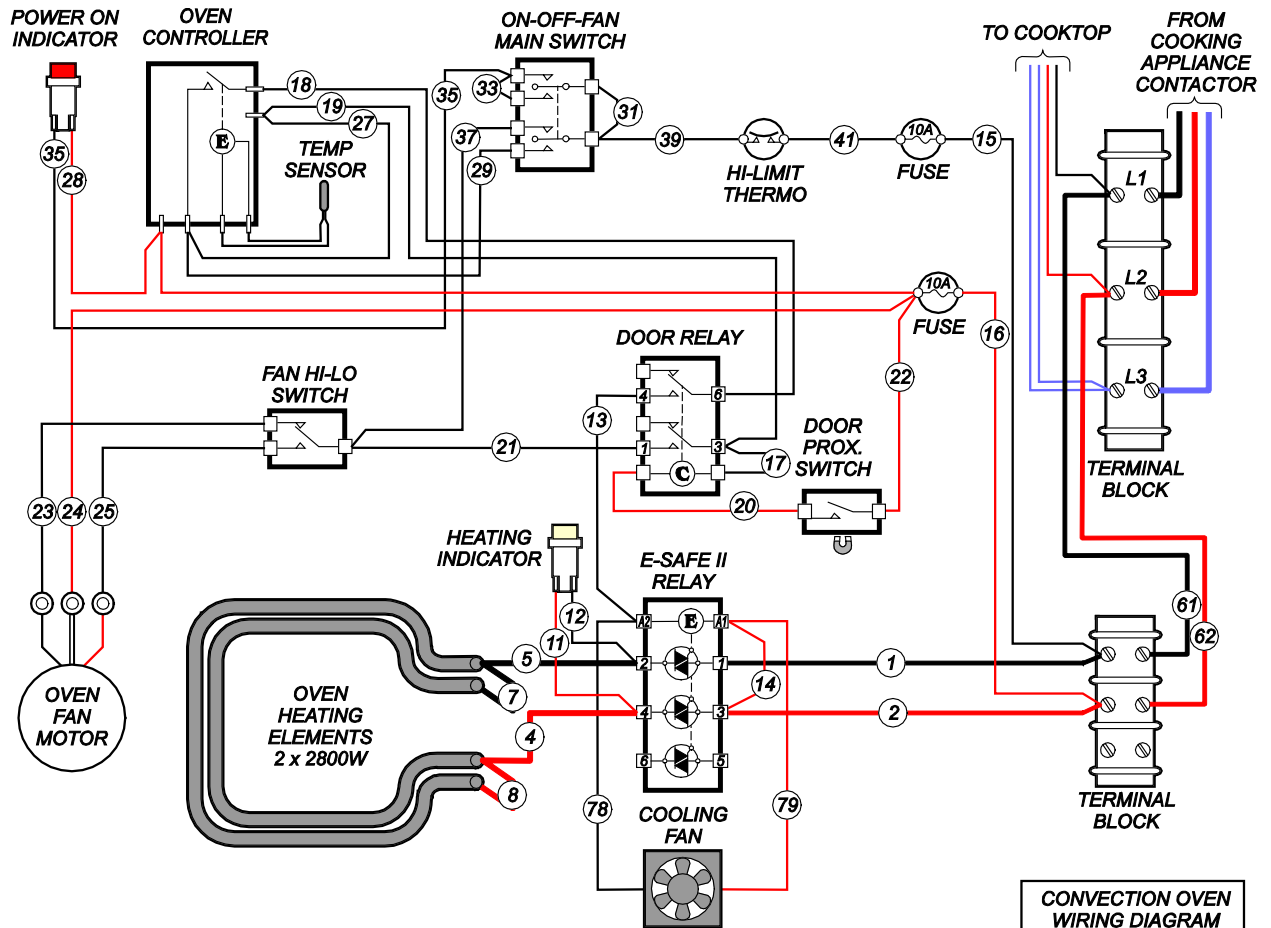
1. REMOVE JUMPER WHEN USING EXTERNAL CONTROL.
IMPORTANT: DO NOT CONNECT ANY POWER TO EXTERNAL CONTROL TERMINAL BLOCK!
2. FIRE SWITCH SHOWN WITH ANSUL® SYSTEM CHARGED AND COCKED

MODEL	VOLTS 60Hz	3ø AMPS			1ø AMPS	WATTS
		L1	L2	L3		
WVOC-4HF	208V	32	31	26	55	11,500
	240V	36	35	30	59	14,100
WVOC-4HS	208V	39	38	34	64	13,300
	240V	41	40	39	69	16,500

from p/n 304982 issue C

WIRING DIAGRAM

CONVECTION OVEN SECTION



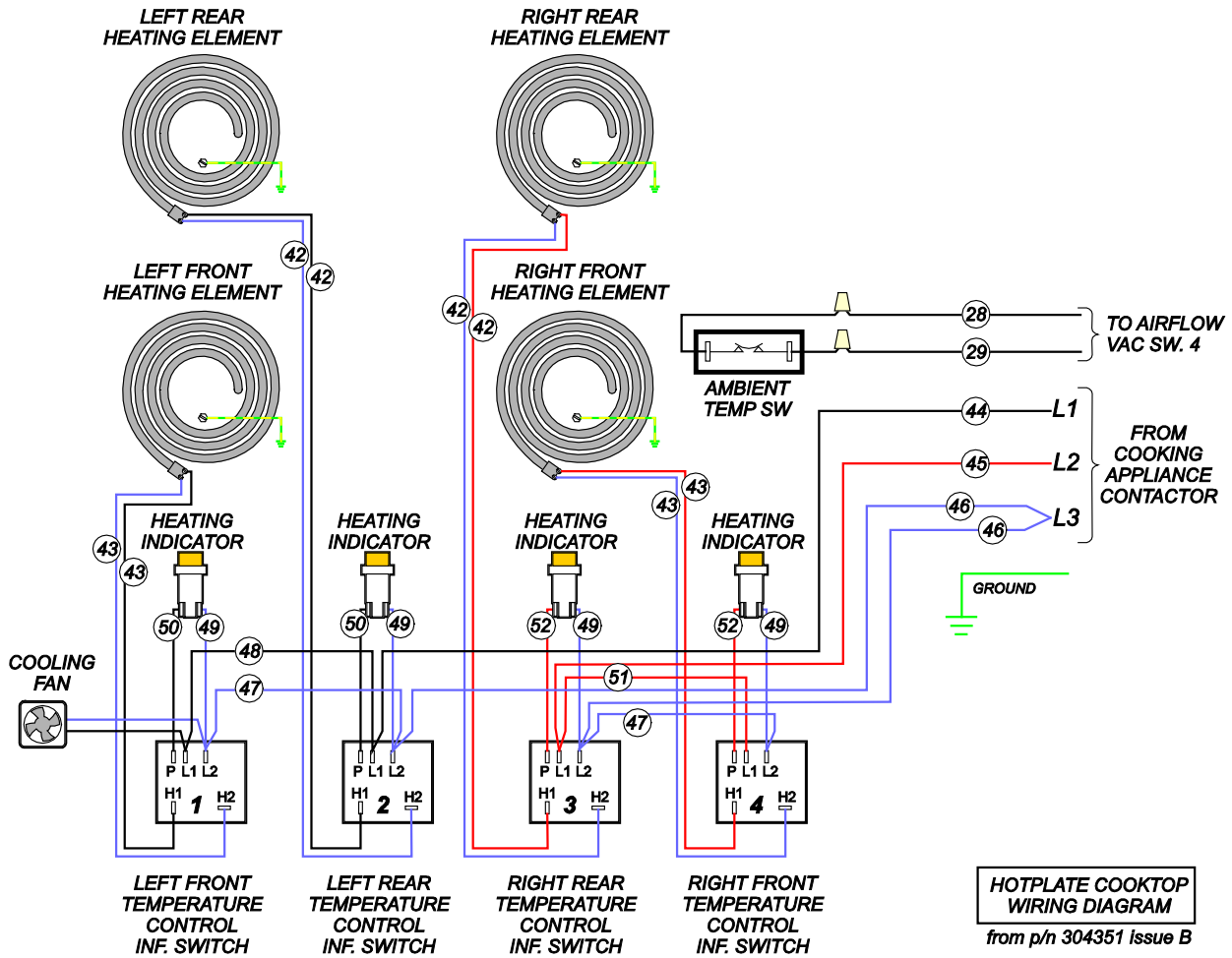
CONVECTION OVEN WIRING DIAGRAM
from p/n 304351 issue B

NOTES:

1. Wiring diagrams show units with E-Safe II electronic relays.
2. For units with mercury relays or E-Safe I electronic relays, contact factory for appropriate wiring diagrams and/or conversion information.
3. Cooling fan for E-Safe II not used on all versions.

WIRING DIAGRAM

HOTPLATE COOKTOP SECTION



NOTES

NOTES

PARTS & SERVICE

DESCRIPTION

PART NO.

OVEN RACK Replacement
 PRE-FILTER
 PRE-FILTER CAGE
 FILTER PACK (HEPA + CHARCOAL)
 GREASE BAFFLE
 GREASE CUP
 LEG KIT
 CASTERS
 DRIP TRAY, 8" (Spiral Hotplate)
 SCRAPER, CLEANING(Ceramic Hotplate)
 CLEANING CREME, CERAMIC HOTPLATE

SERVICE

2B-43784
 2I-302579
 WS-22683
 M3-302775
 2I-302580
 DD-302708
 WS-22829
 2P-43763
 I7-30292
 2R-302040
 2L-301124

IMPORTANT: Use only factory authorized service parts and replacement filters.

For factory authorized service, or to order factory authorized replacement parts, contact your Wells authorized service agency, or call:

Wells Manufacturing
 10 Sunnen Dr.,
 St. Louis MO 63143 USA

NOTE: Ansul® Manual 418087-05 IS intended for use by authorized Ansul® service personnel only. Ansul® Manual 418087-05 must be obtained through your authorized Ansul® distributor.

Service Dept.
 phone: (314) 678-6314
 fax: (314) 781-2714

Service Parts Department can supply you with the name and telephone number of the WELLS AUTHORIZED SERVICE AGENCY nearest you.

CUSTOMER SERVICE DATA

please have this information available if calling for service

RESTAURANT _____ LOCATION _____
 INSTALLATION DATE _____ TECHNICIAN _____
 SERVICE COMPANY _____
 ADDRESS _____ STATE _____ ZIP _____
 TELEPHONE NUMBER (____)____-_____
 EQUIPMENT MODEL NO. _____ EQUIPMENT SERIAL NO. _____
 VOLTAGE: (check one) 208 240



Wells Bloomfield proudly supports CFESA
Commercial Food Equipment Service Association

SERVICE TRAINING - QUALITY SERVICE



CUSTOMER SATISFACTION



WELLS MANUFACTURING

10 Sunnen Dr., St. Louis, MO 63143

telephone: 314-678-6314

fax: 314-781-2714

www.wellsbloomfield.com