



WELLS MANUFACTURING
10 Sunnen Dr., St. Louis, MO 63143
telephone: 314-678-6314
fax: 314-781-2714
www.wellsbloomfield.com

509



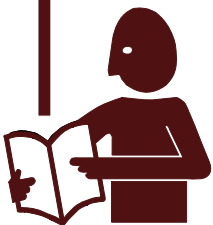
Model WVOC-G136

OWNERS MANUAL
WVOG136 SERIES

**GRIDDLE and
CONVECTION
OVEN
with
UNIVERSAL
HOOD**

**MODEL:
WVOG136
OCG136**

**Includes
INSTALLATION
USE & CARE
EXPLODED VIEW
PARTS LIST
WIRING DIAGRAM**



IMPORTANT: DO NOT DISCARD THIS MANUAL

This manual is considered to be part of the appliance and is to be given to the OWNER or MANAGER of the restaurant, or to the person responsible for TRAINING OPERATORS of this appliance. Additional manuals are available from your WELLS DEALER.

THIS MANUAL MUST BE READ AND UNDERSTOOD BY ALL PERSONS USING OR INSTALLING THIS APPLIANCE. Contact your WELLS DEALER if you have any questions concerning installation, operation or maintenance of this equipment.

LIMITED WARRANTY STATEMENT

Unless otherwise specified, all commercial cooking equipment manufactured by WELLS MANUFACTURING is warranted against defects in materials and workmanship for a period of one year from the date of original installation or 18 months from the date of shipment from our factory, whichever comes first, and is for the benefit of the original purchaser only.

THIS WARRANTY IS THE COMPLETE AND ONLY WARRANTY, EXPRESSED OR IMPLIED IN LAW OR IN FACT, INCLUDING BUT NOT LIMITED TO, WARRANTIES OF MERCHANTABILITY OR FITNESS FOR ANY PARTICULAR PURPOSE, AND/OR FOR DIRECT, INDIRECT OR CONSEQUENTIAL DAMAGES IN CONNECTION WITH WELLS MANUFACTURING PRODUCTS. This warranty is void if it is determined that, upon inspection by an authorized service agency, the equipment has been modified, misused, misapplied, improperly installed, or damaged in transit or by fire, flood or act of God. It also does not apply if the serial nameplate has been removed, or if service is performed by unauthorized personnel. The prices charged by Wells Manufacturing for its prod-

ucts are based upon the limitations in this warranty. Seller's obligation under this warranty is limited to the repair of defects without charge by a Wells Manufacturing factory authorized service agency or one of its sub-service agencies. This service will be provided on customer's premises for non-portable models. Portable models (a device with a cord and plug) must be taken or shipped to the closest authorized service agency, transportation charges prepaid, for service. In addition to restrictions contained in this warranty, specific limitations are shown in the Service Policy and Procedure Guide. Wells Manufacturing authorized service agencies are located in principal cities. This warranty is valid in the United States and Canada and void elsewhere. Please consult your classified telephone directory, your foodservice equipment dealer or contact:

Wells Manufacturing
10 Sunnen Dr., St. Louis MO 63143 USA
phone (314) 678-6314 or fax (314) 781-2714

for information and other details concerning warranty.

SERVICE POLICY AND PROCEDURE GUIDE and ADDITIONAL WARRANTY EXCLUSIONS

1. Resetting of safety thermostats, circuit breakers, overload protectors, and/or fuse replacements are **not** covered by this warranty unless warranted conditions are the cause.
2. All problems due to operation at **voltages or phase other than specified on equipment nameplates** are **not** covered by this warranty. Conversion to correct voltage and/or phase must be the customer's responsibility.
3. All problems due to **electrical connections not made in accordance with electrical code requirements and wiring diagrams** supplied with the equipment are **not** covered by this warranty.
4. Replacement of items **subject to normal wear**, to include such items as knobs, light bulbs; and, normal maintenance functions including adjustments of thermostats, adjustment of micro switches and replacement of fuses and indicating lights are **not** covered by warranty.
5. Damage to electrical cords and/or plug due to exposure to excessive heat are **not** covered by this warranty.
6. Full use, care, and maintenance instructions supplied with each machine. Noted maintenance and preventative maintenance items, such as servicing and cleaning schedules, are customer responsibility. Those miscellaneous adjustments noted are customer responsibility. Proper attention to preventative maintenance and scheduled maintenance procedures will prolong the life of the appliance.
7. Travel mileage is limited to **sixty (60) miles** from an Authorized Service Agency or one of its sub-service agencies.
8. All labor shall be performed during regular working hours. Overtime premium will be charged to the buyer.
9. All genuine Wells replacement parts are warranted for ninety (90) days from date of purchase on non-warranty equipment. This parts warranty is limited only to replacement of the defective part(s). **Any use of non-genuine Wells parts completely voids any warranty.**
10. Installation, labor, and job check-outs are **not** considered warranty and are thus **not** covered by this warranty.
11. Charges incurred by delays, waiting time or operating restrictions that hinder the service technician's ability to perform service are **not** covered by warranty. This includes institutional and correctional facilities.

SHIPPING DAMAGE CLAIM PROCEDURE

NOTE: For your protection, please note that equipment in this shipment was carefully inspected and packaged by skilled personnel before leaving the factory. Upon acceptance of this shipment, the transportation company assumes full responsibility for its safe delivery.

IF SHIPMENT ARRIVES DAMAGED:

1. **VISIBLE LOSS OR DAMAGE:** Be certain that any visible loss or damage is noted on the freight bill or express receipt, and that the note of loss or damage is signed by the delivery person.
2. **FILE CLAIM FOR DAMAGE IMMEDIATELY:** Regardless of the extent of the damage.

3. **CONCEALED LOSS OR DAMAGE:** if damage is unnoticed until the merchandise is unpacked, notify the transportation company or carrier immediately, and file "CONCEALED DAMAGE" claim with them. This should be done within fifteen (15) days from the date the delivery was made to you. Be sure to retain the container for inspection.

Wells Manufacturing cannot assume liability for damage or loss incurred in transit. We will, however, at your request, supply you with the necessary documents to support your claim.

TABLE OF CONTENTS

| | |
|---|----|
| WARRANTY | xi |
| SPECIFICATIONS | 1 |
| FEATURES & OPERATING CONTROLS | 2 |
| PRECAUTIONS & GENERAL INFORMATION | 6 |
| AGENCY LISTING INFORMATION | 7 |
| INSTALLATION | 8 |
| OPERATION | 13 |
| CLEANING INSTRUCTIONS | 18 |
| TROUBLESHOOTING SUGGESTIONS | 22 |
| SERVICING INSTRUCTIONS | 23 |
| MAINTENANCE SCHEDULES | 25 |
| MSDS (Ansulex Low pH) | 28 |
| EXPLODED VIEW & PARTS LIST | 30 |
| ANSUL® COMPONENTS | 36 |
| WIRING DIAGRAM | 37 |
| PARTS & SERVICE | 41 |
| CUSTOMER SERVICE DATA | 41 |

INTRODUCTION

Thank You for purchasing this Wells Manufacturing appliance.

Proper installation, professional operation and consistent maintenance of this appliance will ensure that it gives you the very best performance and a long, economical service life.

This manual contains the information needed to properly install this appliance, and to use and care for the appliance in a manner which will ensure its optimum performance.

SPECIFICATIONS

| MODEL | ROLL WARMER | VOLTS 50/60 Hz | 3Ø AMPS | | | 1Ø AMP S | WATTS | DIMENSIONS POWER CORD |
|---------|-------------|-------------------|---------|----|----|----------------|--------|---|
| | | | L1 | L2 | L3 | | | |
| WVOG136 | NO | 208V | 37 | 28 | 37 | 59 | 12,200 | 30-3/8" WIDE (42-3/8" wide including spacers) 34-5/8" DEEP 80-9/16" HIGH Power Cord (when provided): NEMA 15-60P |
| | | 240V | 38 | 33 | 38 | 63 | 15,000 | |

Minimum clearances required from unit to nearest combustible surface or object

| | BACK | SIDE | BOTTOM | TOP |
|-------------|------|------|--------|-----|
| inches | n/a | 6 | 6 | 19 |
| millimeters | n/a | 152 | 152 | 483 |

FEATURES & OPERATING CONTROLS

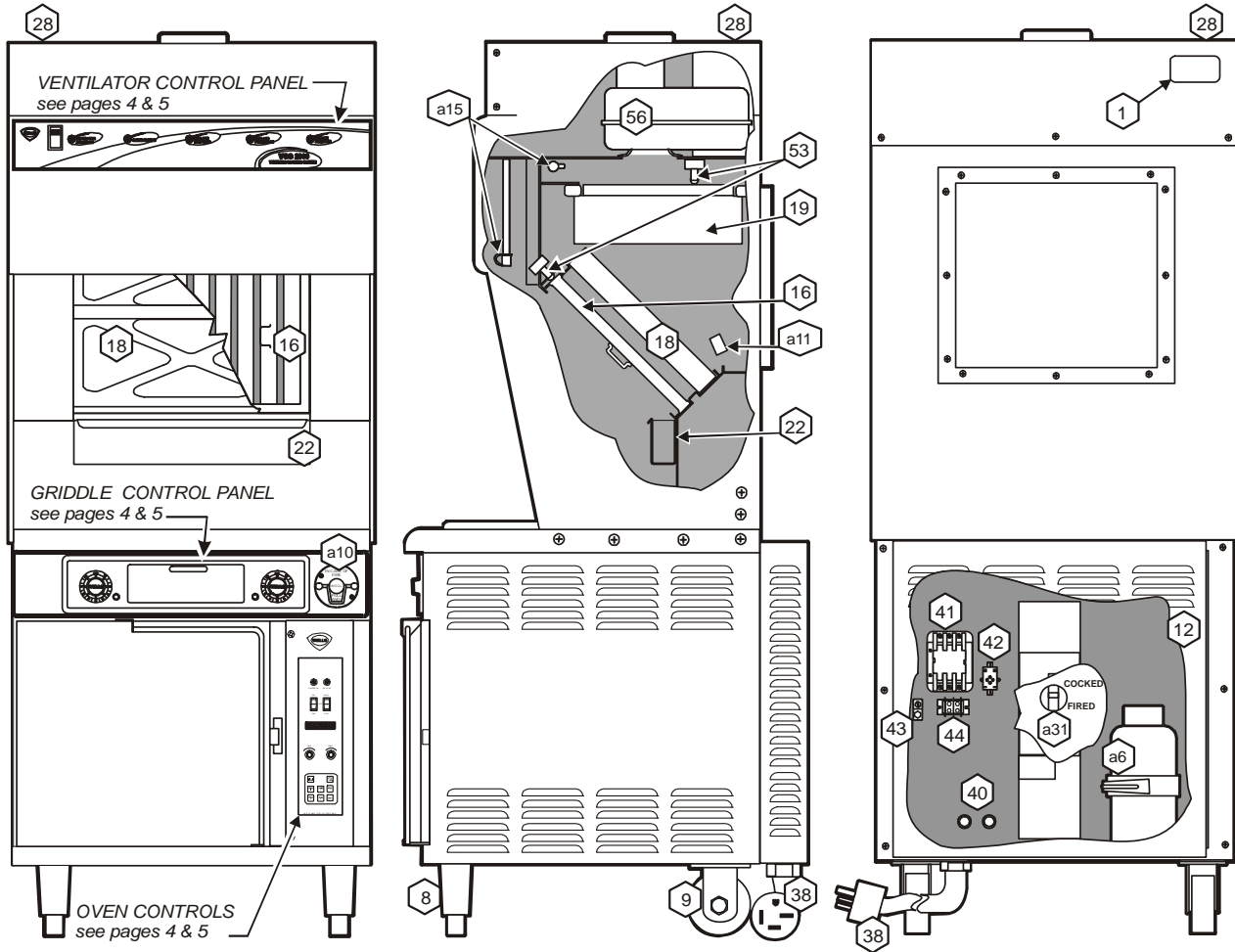


Fig. 1 Ventilator Section Operating Features & Controls

FEATURES & OPERATING CONTROLS (continued)

VENTILATOR SECTION

| ITEM | DESCRIPTION | COMMENT |
|------|--|--|
| 1. | NAMEPLATE | Lists Manufacturer, Model and Serial Number information. Also lists electrical specifications. |
| a6. | FIRE SUPPRESSION AGENT TANK (1.5 gal.) | Container for Ansul TM Low-pH liquid fire suppression liquid. |
| 8. | ADJUSTABLE (FRONT) LEG | Allows the unit to be leveled. |
| 9. | RIGID (REAR) CASTER | Allows the unit to be easily positioned by lifting the front of the unit slightly. |
| a10. | MANUAL PULL STATION | Provides a means of manual activation of the fire suppression system. PULL ONLY IN CASE OF FIRE! |
| a11. | FUSIBLE LINKS | Automatically activates fire suppression system in the event of fire on the griddle. |
| 12. | LOWER REAR ACCESS PANEL | Allows access to Ansul [®] fire suppression agent tank (a6) and controls also access to main power contactor (41). |
| a15. | DISCHARGE NOZZLE | Fire suppression media discharges here (2 places). |
| 16. | GREASE BAFFLE | Extracts and drains most grease and moisture from the air flow. |
| 18. | PRE-FILTER ASSEMBLY | Comprises the PRE-FILTER FRAME and a replaceable PRE-FILTER. Stops larger particles of grease from reaching the FILTER PACK for reduced maintenance costs. |
| 19. | HEPA/CHARCOAL FILTER PACK | Stops most grease and smoke particles. Also assists in some cooking odor removal. |
| 22. | GREASE COLLECTOR | Collects grease/moisture drained from filter bank. |
| 28. | VENTILATOR EXHAUST DUCT | Exit point for ventilator airflow - on top left rear of unit. DO NOT BLOCK |
| a31. | STATUS INDICATOR | Displays status of fire suppression system (<i>COCKED - FIRED</i>) If <i>FIRED</i> , a buzzer will sound continuously. |
| 38. | POWER CORD | 6' cord and cap. Plug for NEMA 15-60R (receptacle by user). |
| 40. | POWER FUSES | Provides over-current protection for convection oven section. |
| 41. | POWER CONTACTOR | Energizes griddle only while ventilator section is sensed as operational. |
| 42. | BUILDING FIRE ALARM RELAY | Reports fire alarm condition to building fire management system. |
| 43. | GROUND LUG | Ground wire of power cord connects here. |
| 44. | INTERLOCK TERMINAL | Provides connection for shut-down control by building fire management system. |
| 53. | FILTER INTERLOCK SWITCHES | Proper installation of grease baffle and filter pack close these switches in ventilator sensor circuit. |
| 56. | VENTILATOR FAN | Provides air movement for ventilation. |

FEATURES & OPERATING CONTROLS (continued)

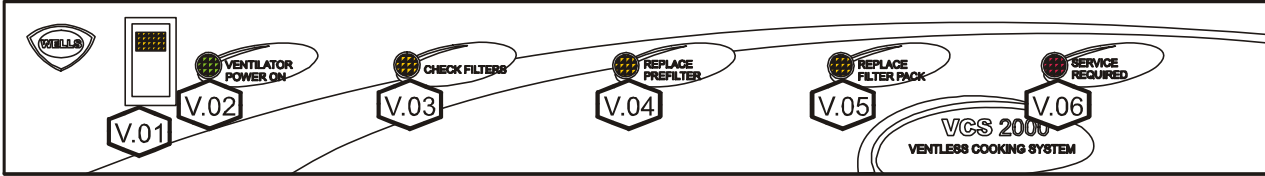


Fig. 2 Ventilator Section Controls & Indicator Lights

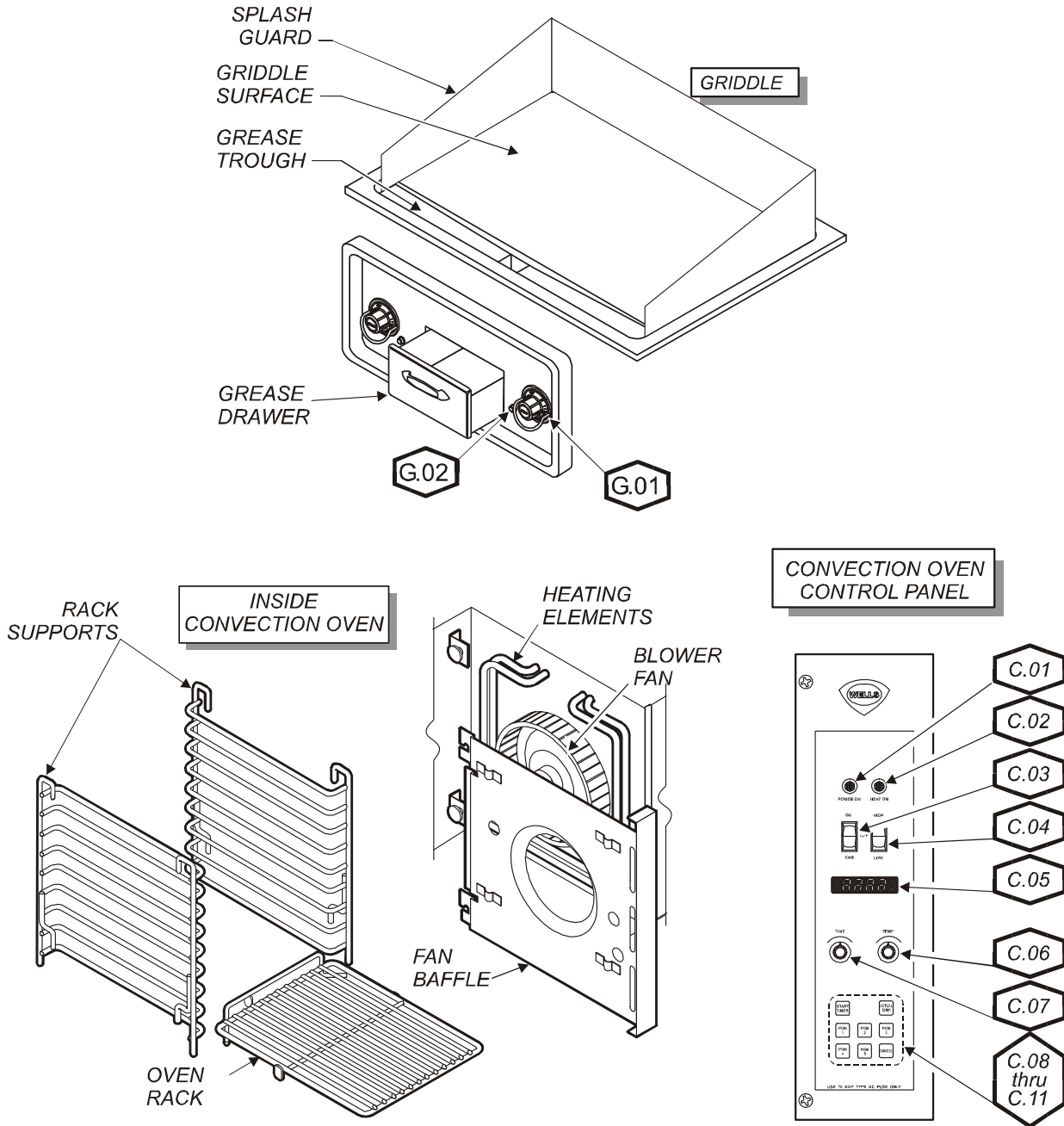


Fig. 3 Griddle & Warmer Drawer Operating Features & Controls

FEATURES & OPERATING CONTROLS (continued)

| ITEM | DESCRIPTION | COMMENT |
|------------------------------------|--|---|
| VENTILATOR SECTION CONTROLS | | |
| V.01 | POWER SWITCH | Energizes blower motor. If, after 10 seconds, proper conditions are met, appliance is energized. |
| V.02 | POWER ON INDICATOR LIGHT | GREEN. Glows when POWER switch is <i>ON</i> . |
| V.03 | <i>CHECK FILTERS</i> INDICATOR LIGHT | AMBER. Glows if one or more filters are out of position. Check all filters and baffles for proper installation. |
| V.04* | <i>REPLACE PREFILTER</i> INDICATOR LIGHT | AMBER. Glows when PREFILTER is approaching the end of its service life and must soon be replaced. |
| V.05* | <i>REPLACE FILTER PACK</i> INDICATOR LIGHT | AMBER. Glows when FILTER PACK is approaching the end of its service life and must soon be replaced. |
| V.06* | <i>SERVICE REQUIRED</i> INDICATOR LIGHT | RED. Glows when PREFILTER and/or FILTER PACK has reached the end of its service life and is too loaded to allow sufficient air flow. Filter MUST be replaced. Appliance is SHUT DOWN until expended filters are replaced. |

* See *PRECAUTIONS & GENERAL INFORMATION*, pages 6 & 7 for special procedures regarding prefilters and filter packs.

GRIDDLE SECTION CONTROLS

| | | |
|------|-----------------------------|--|
| G.01 | GRIDDLE TEMPERATURE CONTROL | Thermostat control of temperature of one griddle half. |
| G.02 | HEAT INDICATOR LIGHT | AMBER. Glows when heating element is energized. |

CONVECTION OVEN SECTION CONTROLS

| | | |
|----------------|-----------------------|--|
| C.01 | POWER INDICATOR LIGHT | AMBER. Glows when oven is turned <i>ON</i> . |
| C.02 | HEAT INDICATOR LIGHT | AMBER. Glows when heating elements are energized. |
| C.03 | ON-OFF-FAN SWITCH | Switch to turn oven <i>ON</i> , <i>OFF</i> , or select <i>FAN</i> only. |
| C.04 | FAN HI-LOW SWITCH | Switch to turn fan <i>ON</i> , and to select fan speed. |
| C.05 | DIGITAL DISPLAY | Displays time and temperature information. A. Time remaining in program (minute : second) B. Programmed temperature (°F) |
| C.06 | TEMP SET DIAL | Adjust programmed cooking time |
| C.07 | TIME SET DIAL | Adjust programmed cooking temperature. |
| C.08 thru C.11 | PROGRAM KEYS | Press appropriate key to A. Select, start or cancel pre-programmed time/temperature B. View actual temperature of oven |

PRECAUTIONS AND GENERAL INFORMATION



WARNING: ELECTRIC SHOCK HAZARD

All servicing requiring access to non-insulated electrical components must be performed by a factory authorized technician. DO NOT open any access panel which requires the use of tools. Failure to follow this warning can result in severe electrical shock.



CAUTION: RISK OF DAMAGE

DO NOT connect or energize this appliance until all installation instructions are read and followed. Damage to the appliance will result if these instructions are not followed.



CAUTION: HOT SURFACE

Cooking surface is very hot during operation. Contact with the griddle can cause serious burns.

NOTE: Fire suppression system and all associated components must only be serviced by an authorized Ansul® Distributor. All setup, charging, repair and/or adjustment of the fire suppression system must be performed by an **Authorized Ansul® Distributor ONLY**.

IMPORTANT: If a remote pull station is installed, both rear casters (9) must be replaced with legs to deter moving the unit. **MOVING AN APPLIANCE WITH A REMOTE PULL STATION WILL DISCHARGE THE FIRE SUPPRESSION SYSTEM.**

This Ventless Cooking System™ is designed to help reduce odor emissions, but will not completely eliminate cooking odors. Air exchange at the installation site must comply with the requirements of the local jurisdictional authority. To ensure that odors do not build-up, recommended minimum air exchange is 300 - 400 cfm of outside air into *and out of* the area where the unit is used.

This appliance is intended for use in commercial establishments only.

This appliance is intended to prepare food for human consumption. No other use is recommended or authorized by the manufacturer or its agents.

Operators of this appliance must be familiar with the appliance use, limitations and associated restrictions. Operating instructions must be read and understood by all persons using or installing this appliance.

Cleanliness of this appliance is essential to good sanitation. Read and follow all included cleaning instructions and schedules to ensure the safety of the food product.

Disconnect this appliance from electrical power before performing any maintenance or servicing.

Do not splash or pour water on, in or over any exposed element, control, control panel or wiring.

DO NOT submerge pre-filter or filter pack in water.

The technical content of this manual, including any wiring diagrams, schematics, parts breakdown illustrations and/or adjustment procedures, is intended for use by qualified technical personnel.

Any procedure which requires the use of tools must be performed by a qualified technician.

This manual is considered to be a permanent part of the appliance. This manual and all supplied instructions, diagrams, schematics, parts breakdown illustrations, notices and labels must remain with the appliance if it is sold or moved to another location.

This appliance is made in the USA. Unless otherwise noted, this appliance has American sizes on all hardware.

PRECAUTIONS AND GENERAL INFORMATION (continued)

OPERATIONAL NOTES:

REPLACE PREFILTER and *REPLACE FILTER PACK* indicator lights provide a timely warning that a system shut-down is imminent.

The actual time between the indicator light coming on and the loss of cooking appliance power will depend upon the cooking conditions.

Anytime a dirty PRE-FILTER is replaced, the system airflow will increase. If the condition of the FILTER PACK is marginal, the *REPLACE FILTER PACK* light could then come on. If this happens, a fresh FILTER PACK must be installed within a reasonably short time.

Loss of airflow through the old filter pack will soon cause a system shut-down when the airflow falls below minimum vapor capture levels.

KEEP SPARE FILTER PACKS ON HAND.

IMPORTANT: If you decide to “get the most” out of the old filter pack, and continue to use it until a system shut-down happens, it is advisable to have a fresh filter pack readily at hand, and have someone available who is capable of replacing it. Otherwise, you may experience an extended down time, with consequent associated loss of business.

The manufacturer assumes no liability for loss of business due to a system shutdown caused by a dirty pre-filter and/or filter pack (i.e. red *SERVICE REQUIRED* light is on), when the user fails to have the proper replacement pre-filter and/or filter pack on hand.

The Ventless Cooking System™ hood is designed as part of a **WELLS cooking appliance** only. No other use of this product is authorized by the manufacturer or its agents. Wells Mfg. assumes no liability for the use of this equipment with products by any other manufacturer's, or for use of this equipment with any Wells Manufacturing product other than in factory certified applications.

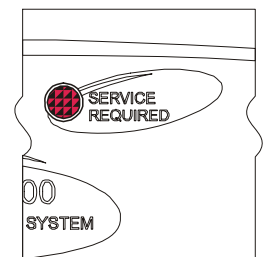
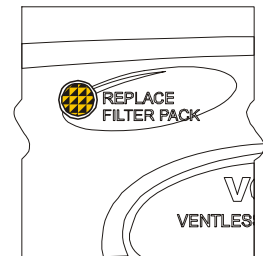
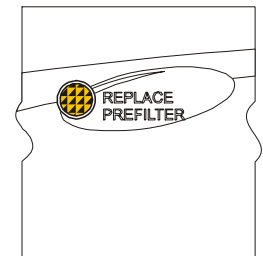


Fig. 4 Ventilator Warning Indicators

M509 2M-305936 Owners Manual WVOG136

AGENCY LISTING INFORMATION

This appliance conforms to NSF Standard 4 for sanitation only if installed in accordance with the supplied *Installation Instructions* And operated and maintained in accordance with the instructions in this manual.

This appliance is  Listed under UL File E146882.



STD 4



E146882

INSTALLATION

NOTE: DO NOT discard the carton or other packing materials until you have inspected the appliance for hidden damage and tested it for proper operation. Refer to *SHIPPING DAMAGE CLAIM PROCEDURE* on the inside front cover of this manual.



WARNING: RISK OF INJURY

Installation procedures must be performed by a qualified technician with full knowledge of all applicable electrical codes. Failure can result in personal injury and property damage.

UNPACKING & INSPECTION

Carefully remove the appliance from the carton. Remove all protective plastic film, packing materials and accessories from the Appliance before connecting electrical power or otherwise performing any installation procedure.

Carefully read all instructions in this manual and the *Installation Instruction Sheet* packed with the appliance before starting any installation.

Read and understand all labels and diagrams attached to the appliance.

Carefully account for all components and accessories before discarding packing materials. Store these components in or near the appliance for later use. To prevent loss, these items should be installed as soon as possible.

- 1 ea. FIRE SUPPRESSION AGENT (**ANSULEX® Low pH**, 1.5 GAL.)
See Material Safety Data Sheet, page 28.
- 1 ea. FIRE SUPPRESSION MEDIA TANK
- 1 ea. FIRE SUPPRESSION TANK CHARGING CARTRIDGE
- 1 ea. GREASE BAFFLE
- 1 ea. FILTER PACK ASSEMBLY
- 1 ea. PRE-FILTER HOLDER with PRE-FILTER
- 1 ea. GREASE CUP
- 1 ea. GREASE TROUGH (VENTILATOR SECTION)
- 1 ea. GREASE DRAWER (GRIDDLE SECTION)
- 1 ea. SCRAPER (PROVIDED WITH GROOVED GRIDDLES ONLY)
- 2 ea. 6" SIDE SPACERS
- 1 ea. LITERATURE PACKAGE
- 2 ea. OVEN RACK SUPPORTS
- 3 ea. OVEN RACKS
- 1 ea. FAN BAFFLE

SETUP

Setup the appliance only on a firm level surface. Non-combustible material is recommended.

Refer to the *Installation Instruction Sheet* for required clearances. Maintain required clearances between the appliance and adjacent combustible surfaces. Verify 6" left and right side clearances to combustible construction. This appliance requires a **minimum of 8 ft (96")** (floor to overhead) to allow for adequate exhaust.

Verify that the VENTILATOR HOOD ASSEMBLY is properly and securely assembled to the cooking appliance before beginning the installation procedure.

If a remote manual pull station is to be installed, replace the rear casters with legs.

Level the unit after it is in its final position. Using a spirit level, verify that the unit is level front-to-back and side-to-side.

Avoid storing flammable or combustible materials near the appliance.

SERVICE TECHNICIAN INSTALLATION NOTES

An Ansul® technician must charge and arm the fire suppression system before the ventilator blower will operate. See page 10.

Installation and start up must be performed by an Authorized Installation Company.

Installer must complete the *WARRANTY REGISTRATION* form, and record appliance installation particulars on the *CUSTOMER SERVICE DATA* form in this manual.

Certain codes require cooking equipment to be restrained with a RESTRAINT DEVICE. It is the RESPONSIBILITY OF THE INSTALLER to check with the AUTHORITY HAVING JURISDICTION, in order to ascertain the applicability of this requirement to THIS SPECIFIC EQUIPMENT INSTALLATION. Any restraint device must allow access to the back and sides of the unit to provide for servicing and maintenance, and must not interfere with the operation of the FIRE SUPPRESSION SYSTEM.

ELECTRICAL INSTALLATION

This appliance must be installed by a licensed electrician in compliance with all applicable Federal, State and local codes and ordinances.

Electrical connections, contactor and ground lug are accessible by removing the bottom rear panel.

Refer to the nameplate on the cooking appliance to verify the ELECTRICAL SERVICE POWER. Voltage and phase must match the nameplate specifications, and available electrical service amperage must meet or exceed the specifications listed on page 1. Incoming wiring must comply with National Electrical Code specifications.

All universal hood appliances ship from the factory wired 3ø and include a 3ø cordset.

This appliance is NOT approved for 1ø operation.

IMPORTANT!

Verify that this VENTILATOR and food cooking equipment installation is in compliance with the specifications listed in this manual, with local code requirements, and in accordance with N.F.P.A 96 (*THE STANDARD FOR VENTILATION CONTROL AND FIRE PROTECTION OF COMMERCIAL COOKING OPERATIONS* - current edition).

**THIS IS THE
RESPONSIBILITY
OF THE INSTALLER**



**DANGER:
ELECTRIC
SHOCK
HAZARD**

ELECTRIC CONNECTIONS MUST BE MADE BY A LICENSED ELECTRICIAN. Electrical shock will cause death or serious injury.

NOTE: This appliance requires a dedicated 60 Amp electrical branch circuit protection.

IMPORTANT:

Contact a licensed electrician to install and connect electrical power to the appliance.

IMPORTANT:

Damage due to being connected to the wrong voltage or phase is NOT covered by warranty.

INSTALLATION (continued)



THE FIRE SUPPRESSION SYSTEM MUST BE CHARGED AND CERTIFIED BY AN AUTHORIZED **ANSUL®** DISTRIBUTOR. **NEVER** ATTEMPT TO MODIFY OR BYPASS THE FIRE SUPPRESSION SYSTEM. AN UNCONTROLLED FIRE CAN CAUSE SERIOUS INJURY, DEATH AND/OR PROPERTY LOSS.

IMPORTANT: The FIRE SUPPRESSION SYSTEM must be SET-UP and CHARGED by an authorized **Ansul®** distributor before the ventilator blower will operate.

NOTE: If the fire suppression system is discharged, a buzzer will sound continuously and the cooking appliance will remain inoperable until the fire suppression system is serviced. **Recharging and resetting must be performed by an authorized Ansul® distributor ONLY.**

Charging of the Ansul Fire Suppression system must be in accordance with *Ansul® Design, Installation, Recharge and Maintenance Manual*. (Ansul® #418087-05)

FIRE SUPPRESSION SYSTEM INSTALLATION

1. Any REMOTE MANUAL PULL STATION must be installed by an authorized ANSUL® distributor in accordance with the AUTHORITY HAVING JURISDICTION.

NOTE: If a REMOTE MANUAL PULL STATION is installed, moving the unit for servicing will cause the **Ansul®** system to discharge. In this case, the unit must only be installed with four fixed legs (i.e. remove rear casters and replace with legs). Additional legs may be ordered through an Authorized Wells Service Agency. See page 31.

2. The FIRE SUPPRESSION SYSTEM is comprised of a pressurized cartridge & container of liquid fire suppressant, with associated plumbing and controls. It utilizes factory installed FUSIBLE LINKS for automatic actuation, and a factory installed MANUAL PULL STATION for manual actuation. Two NOZZLES are used to disperse the liquid fire suppression media.

3. When the fire suppression system activates, the fire suppression media is discharged, both the cooking appliance and the ventilator are de-energized, and a buzzer will sound continuously. The fire suppression media will form an emulsion designed to both smother and cool the fire.

Call your Authorized Ansul® Distributor immediately for service.

NOTE: See page 28 for the Material Safety Data Sheet for the fire suppression agent.

4. The MANUAL PULL STATION and any similar REMOTE MANUAL PULL STATION will activate the fire suppression system when the ring on the pull station is pulled horizontally.

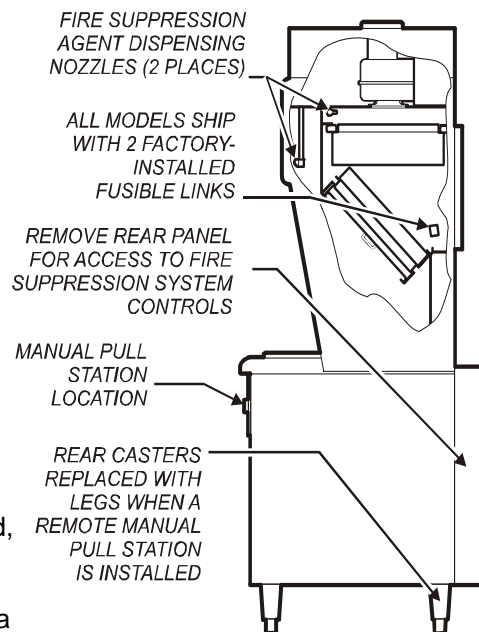


Fig. 5 Fire Suppression System

FILTERS INSTALLATION

- 1. FILTER PACK:** Ships installed in the hood. If the FILTER PACK is not in position, the *CHECK FILTERS* indicator will light. If the FILTER PACK becomes clogged, the *REPLACE FILTER PACK* indicator will glow.

To install the FILTER PACK: Position the filter pack with the charcoal portion UP. Slide the filter pack toward the rear of the unit until it contacts the guides on the back panel. Push the filter pack UP into the upper opening until it rests firmly against the filter pack seal. When up in position, holder clips can be snapped over wall ledge on each side. To remove FILTER PACK: Grasp both holder clips and pull INWARD until the clips clear the sidewall ledge. Then, pull the filter pack down and out.
- 2. PRE-FILTER:** The PRE-FILTER ships in the FILTER FRAME. If the PRE-FILTER is not in position, or if the PRE-FILTER is not in the FILTER FRAME, the *CHECK FILTERS* indicator will light. If the PRE-FILTER becomes clogged, the *REPLACE PRE-FILTER* indicator will glow.

To install the PRE-FILTER: Pay attention to the air flow markings. The *AIR FLOW* arrow will point away from the installer. Slide the assembly up into the front opening, behind the upper filter rail. While pressing slightly against the bottom of the assembly, pull the FILTER HANDLE toward you so as to engage the FILTER HOOK over the lip of the top filter rail. Then lower and seat the assembly into the top indentation of the lower filter rail.
- 3. GREASE BAFFLE:** If the GREASE BAFFLE is not in place, the *CHECK FILTERS* indicator will glow.

To install the GREASE BAFFLE: Slide the grease baffle up into the indentation of the upper filter rail, then lower and seat it into the bottom indentation of the lower filter rail. Pull toward you and downward to verify the GREASE BAFFLE is properly seated in the lower frame rail.

NOTE:

The GREASE BAFFLE and FILTER PACK activate mechanical switches, and the PRE-FILTER activates a vacuum switch, to verify that the filter elements are in their proper positions. All filter elements must be properly installed or the griddle will not be energized. Also, the *CHECK FILTERS* indicator will light.

IMPORTANT:

The filter hook prevents the PRE-FILTER from being drawn in during operation. After installation, press against the top of the filter frame to verify proper engagement of the filter hook over the lip of the top filter rail.

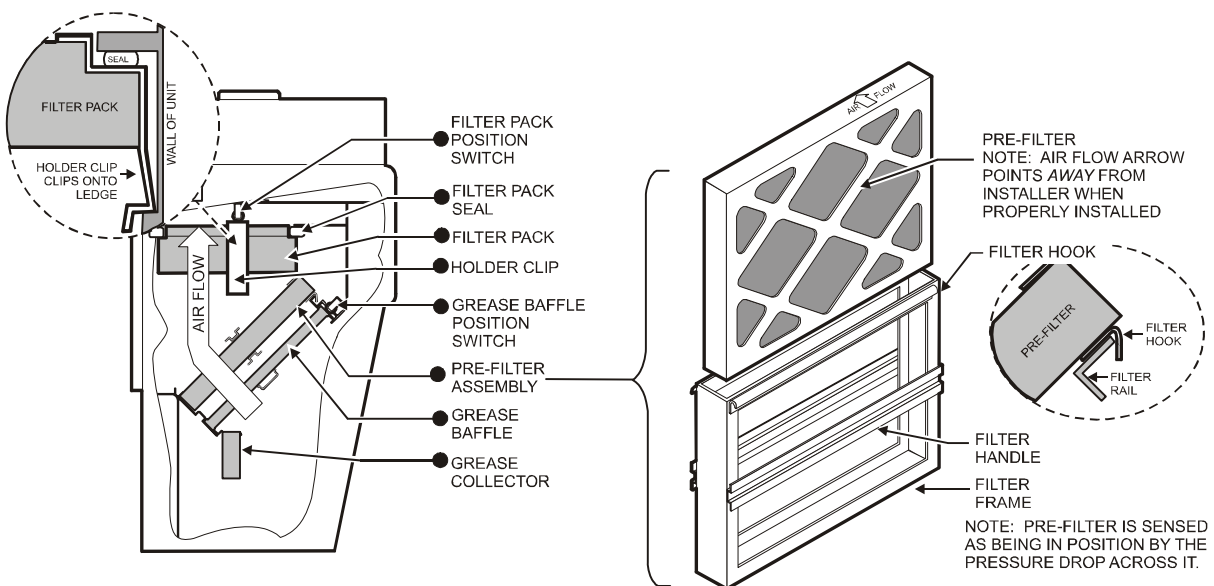


Fig. 6 Filter Installation

INSTALLATION (continued)



WARNING:
SLIP / FALL
HAZARD
SPILLED OIL



**DO NOT OPERATE UNLESS
THE GREASE CUP
TROUGH AND
GREASE DRAWER ARE
INSTALLED.**

Oil and moisture will drip onto
the floor and falls may result.
Death or serious injury may
result from slipping and falling

GREASE TROUGH AND GREASE CUP INSTALLATION

1. Install the GREASE COLLECTOR on the pins below the filter opening.

GRIDDLE INSTALLATION

Install GREASE DRAWER in place under the griddle.

OVEN RACK INSTALLATION

1. Install fan baffle.
Use care around the fan. The blades are sharp.
2. Install one rack support on the fan baffle, and one rack support on the left wall of the oven cavity.
3. Install racks as needed for the product being prepared.

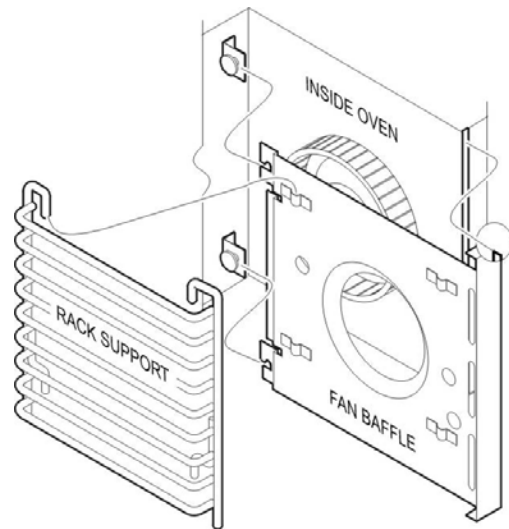


Fig. 7 Oven Rack Installation

VENTILATOR OPERATION

1. Press the VENTILATOR POWER switch to ON. The green VENTILATOR POWER light will glow and the blower fan will start. After a short time, if all filters are sensed as being in position and not clogged, the griddle will be energized. The roll warmer is energized at all times. During normal operation, the VENTILATOR POWER light will be the only light glowing on the upper control panel.
2. If the amber CHECK FILTER light glows, one or more filter elements is out of position. Check the GREASE BAFFLE, PRE-FILTER and FILTER PACK for proper installation in their respective positions. Grease baffle and filter pack position are sensed by mechanical switches. Pre-filter position is sensed by a vacuum switch.
3. When the amber REPLACE PRE-FILTER light glows, the pre-filter is nearing the end of its service life. Replace the disposable PRE-FILTER ELEMENT.
4. When the amber REPLACE FILTER PACK light illuminates, the HEPA / Charcoal filter pack is nearing the end of its service life. Replace the FILTER PACK.

Note: The REPLACE PRE-FILTER and REPLACE FILTER PACK lights are a warning that the indicated filter is near the end of its service life. The appliance will continue to operate for a period of time after the light glows to allow continued operation through a peak period. However, the indicated filters must be replaced within a reasonably short time period or they will clog and shut down electrical power to the griddle. The ventilator blower will continue to run.

5. When the red SERVICE REQUIRED light glows, either the pre-filter or filter pack (or both) is clogged and can no longer pass sufficient air to allow further operation. The ventilator fan continues to run, but the griddle is shut down until the underlying clogged filter situation has been corrected. This can occur when neither CHANGE...FILTER indicator light is lit, if both pre-filter and filter pack are marginal. Replacing both the pre-filter and the filter pack will remedy the situation.

Note: replacing the pre-filter, even though not very dirty, will often extend the service life of the more expensive filter pack.

Reset the unit by turning the VENTILATOR POWER switch to OFF, then back ON.

6. A failure of incoming electrical power will cause a shut down of the unit. After power is restored, reset the unit by turning the VENTILATOR POWER switch to OFF, then back ON.



**CAUTION:
HOT SURFACE**

Exposed surfaces can be hot to the touch and may cause burns.

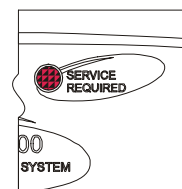
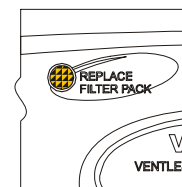
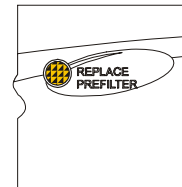
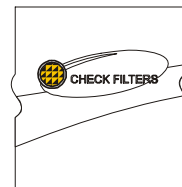
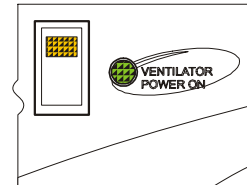


Fig. 8 Ventilator Indicator and Warning Lights

NOTE:

Neither oven nor griddle will operate until and unless the fire suppression is charged and cocked, and the ventilator section is operating.

OPERATION (continued)



CAUTION: HOT SURFACE

Exposed surfaces can be hot to the touch and may cause burns.

As manufactured, the steel surface of your Wells griddle has microscopic pores. It is important to fill these pores with oil in order to provide a hard, non-stick cooking surface.

Because the microscopic pores in the griddle surface are filled by the chrome plating, no seasoning of the griddle surface is required.

IMPORTANT: SCRATCHES WILL DAMAGE THE SURFACE OF CHROME GRIDDLES!

DO NOT use anything on this griddle that could scratch the surface.

DO NOT clean chrome surface with griddle bricks, pumice stone or abrasive cleansers.

DO NOT bang or tap pots, pans, spatulas or other metal utensils on chromed griddle surface as this may damage the chrome plating.

NOTE: Separate sections of the griddle may be set to different temperatures. This will allow a variety of products to be prepared at the same time, and will allow prepared product to be held at serving temperature after cooking.

GRIDDLE OPERATION

PREPARING THE GRIDDLE SURFACE

1. SEASONING STANDARD GRIDDLES
 - a. Preheat the griddle surface to 375°F (191°C).
 - b. Spread a light film of cooking oil over the entire griddle surface
 - c. Allow the oil film to cook in for approximately 2 minutes, or until it smokes.
 - d. Wipe the griddle surface with a clean damp cloth until all oil is removed.
 - e. For new griddles, repeat this procedure 2-3 times until the griddle has a slick, clean surface.
2. CHROME PLATED GRIDDLES
 - a. Thoroughly clean the griddle surface using a soft clean cloth and a small amount of mild detergent.
 - b. Rinse and dry thoroughly after cleaning.
 - c. The griddle is now ready to use.

USING THE GRIDDLE

1. Check the chart below for recommended cooking temperatures. Turn the temperature control knob to the desired temperature. The indicator light will glow while the griddle is heating. When the indicator light first goes out, the griddle is ready to use.
2. For standard griddles, keep the griddle surface clean and well oiled during use. Scrape cooking waste into the grease trough frequently during use. Occasionally brush or spray a light coat of cooking oil on the griddle surface in order to maintain the non-stick surface.
3. For chrome plated griddles, scrape cooking waste into the grease trough after preparing each order.

RECOMMENDED GRILLING TIMES AND TEMPERATURES

NOTE: The times and temperatures in this chart are suggestions only. Your own experience with your own menu items will be your best guide to achieving the best food product.

| PRODUCT | TEMPERATURE °F | TIME |
|-------------------------|----------------|---------------|
| Sausage, link and patty | 350° | 3 minutes |
| Bacon | 350° | 2 - 3 minutes |
| Canadian Bacon | 350° | 2 - 3 minutes |
| Ham Steaks | 375° | 3 - 4 minutes |
| Broiled Ham | 375° | 2 minutes |
| Beef Tenderloin | 400° | 3 - 4 minutes |
| Minute Steaks | 400° | 3 - 4 minutes |
| Club Steak, 1" thick | 400° | 3 - 5 minutes |
| Hamburgers | 350° | 3 - 4 minutes |
| Cheeseburgers | 350° | 3 - 4 minutes |
| Melted Cheese Sandwich | 375° | 3 - 4 minutes |
| Hot Dogs | 325° | 2 - 3 minutes |

CONVECTION OVEN OPERATING INSTRUCTIONS

A. MANUAL COOK MODE

1. Set the OVEN POWER SWITCH (C.01) to ON. The OVEN POWER ON INDICATOR (C.03) will glow when the switch is ON.
2. Rotate OVEN TEMPERATURE CONTROL knob (C.07) until the desired cooking temperature is displayed on the READOUT (C.05A). The oven will begin heating, and the temperature digits will flash, until the set temperature is reached.
3. Rotate OVEN TIME CONTROL knob (C.06) until the desired time is displayed on the READOUT. The digits and colon will flash, indicating that time has been set but the timer is not started.
4. Load product in the oven. Press START TIMER key (C.08). The timer digits count down and the colon (only) flashes during the timer period.
5. At the end of the timer period, an audible alarm will sound. Press CANCEL key (C.11) to silence the alarm.

SUGGESTION: For best baking results when making baking soda biscuits, use rack positions 2, 5 & 8 (where rack position 1 is the top rack). When baking one pan: use rack 5 (center rack); when baking 2 pans: use racks 2 & 8; when baking three pans: use racks 2, 5 & 8.

B. PROGRAM COOK MODE

1. Five (5) programmable keys (C.10) are provided for presetting frequently used time / temperature combinations. To set the program:
 - a. Press and hold the appropriate PGM key.
 - b. While holding the PGM key, turn the TIME and TEMP knobs until the desired time and temperature is displayed on the readout.
 - c. Release the PGM key to store the displayed time and temp in memory.
2. The program for any PGM key can be recalled by momentarily pressing that PGM key.
3. To start a programmed cook cycle, press the appropriate PGM key and the START TIME key. Once the cook cycle has started, the TIME and TEMP knobs are locked out to prevent accidental re-programming.
4. The actual oven temperature may be recalled at any time by pressing the ACTUAL TEMP key (C.09).
5. At the end of the timer period, an audible alarm will sound. Press CANCEL key (C.11) to silence the alarm.



**CAUTION:
HOT SURFACE**

Exposed surfaces can be hot to the touch and may cause burns.



**CAUTION:
ELECTRIC SHOCK HAZARD**

DO NOT splash or pour water onto control panel or wiring.



**CAUTION:
ELECTRIC SHOCK HAZARD**

DO NOT operate the unit if the keypad is torn or broken.

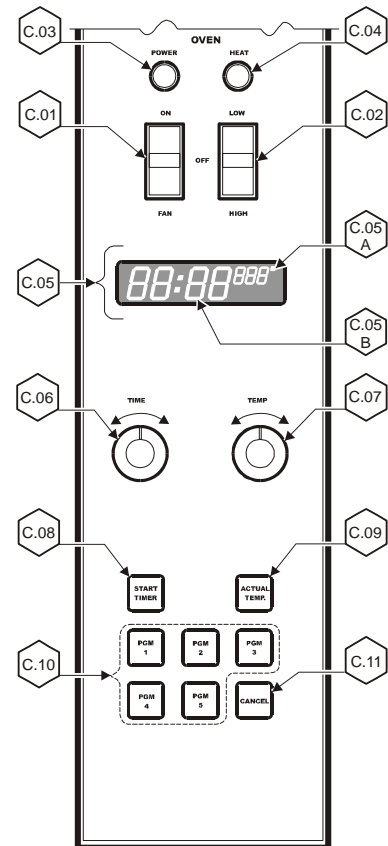


Fig. 9 Oven Programming Keys

OPERATION (continued)



CAUTION: HOT SURFACE

Exposed surfaces can be hot to the touch and may cause burns.



CAUTION: BURN HAZARD

Do not attempt to clean the oven until it has cooled to 150°F or less. See *CLEANING INSTRUCTIONS*, page 18.



CAUTION: ELECTRIC SHOCK HAZARD

DO NOT splash or pour water onto control panel or wiring.

IMPORTANT:

To extend the life of your appliance and internal components, allow the oven, to cool and griddle to 200°F or less before turning the ventilator off.

C. TEMPERATURE OFFSET MODE

1. A user preference offset mode is provided should the user feel the oven cooks too hot or too cold.
2. The OFFSET MODE can be used to offset the set / displayed temperature from the sensed temperature by as much as $\pm 35^{\circ}\text{F}$, in 5°F increments:
 - a. Rotate the TIME controller until the time digits on the display read "00:00".
 - b. Rotate the TEMP control until the temp digits display between 400° and 500° .
 - c. Press and hold the START TIMER key for five seconds.
 - d. Turn either the TIME or TEMP control until the desired offset is displayed.
 - e. Press the ACTUAL TEMP key to exit.

SUGGESTED COOKING TIMES

CONVECTION OVEN

| PRODUCT | TEMP °F | TIME MINUTES | NUMBER OF RACKS |
|---|--------------------|-------------------------|----------------------------|
| BREAD PRODUCTS | | | |
| Hamburger Roll | 300 | 15 | 5 |
| Bread (1 lb loaves) | 325 | 34 | 3 (12 loaves) |
| Roll | 300 | 16 | 5 (60 rolls) |
| Baking Soda Biscuit | 400 | 7 | 3 |
| For best baking results, use rack positions 2, 5 & 8 (where rack position 1 is the top rack) | | | |
| Baking one pan: use rack 5; baking 2 pans: use racks 2 & 8. | | | |
| PASTRIES | | | |
| Sheet Cake (2½ lbs. per pan) | 300 | 17 | 5 |
| Frozen Fruit Pie (46oz.) | 350 | 50 | 5 (10 pies) |
| Frozen Fruit Pie (26oz. - 8" dia.) | 350 | 40 | 5 (15 pies) |
| Sugar Cookie | 300 | 15 | 5 |
| Danish Roll | 350 | 12 | 5 |
| Fruit Cake | 275 | 75 | 3 |
| Cake (1 lb.) | 300 | 19 | 5 (10 cakes) |
| OTHER | | | |
| Melted Cheese Sandwich | 400 | 8 | 5 |
| Idaho Potato (120 potatoes) | 450 | 40 | 5 |
| Macaroni & Cheese | 350 | 30 | 5 |

NOTE: "HIGH" fan speed provides the fastest cook time. "LOW" fan speed is used for foods which are sensitive to air currents, such as meringue pie.

CLEANING INSTRUCTIONS



CAUTION: CUT HAZARD

Use due care when cleaning near fan. Blades are sharp.



CAUTION: ELECTRIC SHOCK HAZARD

DO NOT splash or pour water onto control panel or wiring.



CAUTION: HEAT AND SMOKE HAZARD

Keep the ventilator fan running during any "hot surface" cleaning operation to avoid a build-up of heat and/or smoke.

IMPORTANT: Avoid Fire Suppression System discharge!

Keep the ventilator fan running during any "hot surface" cleaning operation to avoid melting a fusible link and causing a discharge of the fire suppression media.

IMPORTANT:

Always rub / wipe in the direction of the polish lines or grain of the metal.

CONVECTION OVEN CLEANING INSTRUCTIONS

PRECAUTIONS Turn oven power switch to *FAN*
Allow oven to cool

FREQUENCY As Noted

TOOLS Mild Detergent, Soft Cloth or Sponge
Plastic Scouring Pad
Spray Bottle
Commercial Oven Cleaner/Degreaser

DAILY

1. Turn oven power switch to *FAN*; remove racks and take to back sink.
2. Let oven cool to 200°F. If oven is cooler than 200°F, raise temperature to no more than 200°F.
3. Mix oven cleaner/degreaser per manufacturer's directions. Spray oven cleaner/degreaser solution onto soiled surfaces; then, close oven door and let stand for 5 min.
4. Open door slowly to allow steam to escape and allow oven to cool completely.
5. Wipe oven surfaces with a soft cloth, rinse cloth as necessary.
6. Re-spray any remaining soiled areas and scrub with a plastic scouring pad.
7. Rinse all surfaces with a clean soft cloth dampened with clean water.
8. Wash, rinse, and sanitize oven racks and replace in oven.
9. Wipe exterior surfaces with a clean cloth dampened with clean water and a non-abrasive cleanser. Rinse by wiping with a clean cloth dampened with clean water.

HEAVY SOIL RECOVERY—As Needed

1. Turn oven power switch to *FAN*; remove racks and take to back sink.
2. Let oven cool to 200°F. If oven is cooler than 200°F, raise temperature to no more than 200°F.
3. Spray Oven Cleaner/Degreaser full strength onto soiled surfaces; then, close oven door and let stand for 5 min.
4. Open door slowly to allow steam to escape and allow oven to cool completely.
5. Wipe oven surfaces with a soft cloth, rinse cloth as necessary.
6. Re-spray any remaining soiled areas and scrub with a plastic scouring pad.
7. Rinse all surfaces with a clean soft cloth dampened with clean water.
8. Wash, rinse, and sanitize oven racks and replace in oven.

CLEANING INSTRUCTIONS (continued)

GRIDDLE DAILY CLEANING

PREPARATIONS: Set temperature control to 225°F. Allow the griddle temperature to drop to 225°F before proceeding.

FREQUENCY: Daily

TOOLS: Standard Griddle only:
Griddle Brick or Pumice Stone, Fiber Brush
Plastic Scouring Pad, Plastic Scraper
Chrome-Plated Griddle only:
4" Razor Scraper
Mild Detergent, Non-Abrasive Cleanser
Clean Soft Cloth / Sponge
Food Grade Silicone Sealant

1. Pour a small amount of water on the griddle surface and let it "sizzle".
2. Clean the griddle surface (Standard Griddle only):
 - a. For standard griddles, use a pumice stone or griddle brick to scrape food waste. Clean the griddle surface down to bright metal. Wipe off any remaining powder residue.
 - b. For grooved-surface griddles, use the supplied contoured scraper to scrape food waste. Clean the griddle surface down to bright metal.
 - c. Use a soft-bristled fiber brush in a circular motion to remove any remaining food particles.
3. Clean the griddle surface (Chrome-Plated Griddle only):
 - a. Use a 4" razor scraper held at about 15° to the griddle surface to remove any burned-on food particles.
 - b. Wipe griddle with a clean cloth.
4. Turn temperature control to *OFF*. Allow the griddle surface to cool, then wipe the surface with a clean cloth. Dry the griddle surface thoroughly.
5. At least once each day, the grease trough must be thoroughly cleaned. Using a scraper, remove all grease and food waste from the grease trough by pushing it down the waste hole and into the grease drawer.
6. After scraping all cooking waste from grease trough into the grease drawer, take the grease drawer to kitchen cleaning area and properly dispose of all waste.
 - a. Clean drawer with hot water and a mild detergent.
 - b. Dry drawer thoroughly and reinstall in griddle.
7. Clean the splash guard in the sink with warm water and mild detergent, or in the dish washer. Rinse thoroughly and reinstall.

Procedure is complete.



**CAUTION:
ELECTRIC
SHOCK HAZARD**

Disconnect appliance from electric power before cleaning.



**CAUTION:
HOT SURFACE**

Exposed surfaces can be hot to the touch and may cause burns. Allow appliance to cool before cleaning.

IMPORTANT:

DO NOT spill or pour water into controls, control panel, wiring or coil-type hotplate elements. Damage to internal components will occur. Damage to internal components from water damage is **not** covered by warranty.

IMPORTANT:

NEVER USE STEEL WOOL TO CLEAN THE GRIDDLE SURFACE!
NEVER USE GRIDDLE BRICKS, PUMICE STONES OR STEEL WOOL TO CLEAN CHROME-PLATED GRIDDLE SURFACES!

DO NOT use detergent or oven cleaner to clean the griddle surface.

IMPORTANT:

SEASON THE COOKING SURFACE AFTER EACH CLEANING.

CLEANING INSTRUCTIONS (continued)



CAUTION: ELECTRIC SHOCK HAZARD

Disconnect appliance from electric power before cleaning.



CAUTION: HOT SURFACE

Exposed surfaces can be hot to the touch and may cause burns. Allow appliance to cool before cleaning.

IMPORTANT:

Never allow PRE-FILTER or FILTER PACK to get wet. DO NOT wash either of these two filters. Washing these filters will ruin them and cause the appliance to shut-down.

IMPORTANT:

DO NOT spill or pour water into controls, control panel or wiring. Damage to internal components will occur. Damage to internal components from water damage is **not** covered by warranty.

IMPORTANT:

DO NOT use steel wool or metal implements to clean cabinet surfaces.

VENTILATOR WEEKLY CLEANING

PREPARATION: Disconnect appliance from electric power
Allow to cool before cleaning

FREQUENCY: Weekly

TOOLS: Warm water and a mild detergent
Soft clean cloth or sponge
Bristle brush
Container for disposal of grease

1. Remove the grease baffle, pre-filter assembly, grease trough and grease cup. Empty the grease trough and grease cup.
2. Remove the pre-filter from the filter frame. Wash and rinse the filter frame ONLY.
3. Wash and rinse the grease baffle, grease trough and grease cup in a sink or dishwasher using mild detergent and warm water. Allow to air dry.
4. Reinsert the pre-filter into the filter frame. Reinstall the pre-filter, grease baffle, grease trough and grease cup.

Procedure is complete

CLEANING INSTRUCTIONS (continued)

VENTILATOR MONTHLY CLEANING

PREPARATION: Disconnect appliance from electric power
Allow to cool before cleaning

FREQUENCY: Monthly

TOOLS: Warm water and a mild detergent
Soft clean cloth or sponge
Plastic scouring pad, plastic scraper
Container for disposal of grease



**CAUTION:
ELECTRIC
SHOCK HAZARD**

Disconnect appliance from electric power before cleaning.



**CAUTION:
HOT SURFACE**

Exposed surfaces can be hot to the touch and may cause burns. Allow appliance to cool before cleaning.

EXTERIOR

1. Wash exterior surfaces with a soft clean cloth or sponge dampened with warm water, mild soap or detergent.
2. Rinse with a soft clean cloth or sponge dampened with warm water. Allow to air dry.

INTERIOR:

3. In addition to the weekly cleaning procedure, remove the filter pack.
4. Cover the griddle section.
5. Wash the interior surfaces of the ventilator with warm water, mild soap or detergent and a clean, soft cloth or sponge. Stubborn or burned-on food debris may be removed with a plastic scouring pad or plastic scraper.
6. Dry thoroughly with a clean soft cloth.
7. Uncover the griddle and reassemble the ventilator.

Procedure is complete.

IMPORTANT:

Never allow PRE-FILTER or FILTER PACK to get wet. DO NOT wash either of these two filters. Washing these filters will ruin them and cause the appliance to shut-down.

IMPORTANT:

DO NOT spill or pour water into controls, control panel, wiring or coil-type hotplate elements. Damage to internal components will occur. Damage to internal components from water damage is **not** covered by warranty.

IMPORTANT:

DO NOT use steel wool or metal implements to clean cabinet surfaces.

TROUBLESHOOTING SUGGESTIONS



CAUTION: ELECTRIC SHOCK HAZARD

Removal of any cabinet panel will result in exposed electrical circuits. Any procedure requiring the removal of any cabinet panel must be performed by a qualified technician only.

CONVECTION OVEN CONTROLLER ERROR CODES

- F1** Relay closed or relay ohms low when not cooking
- F2** Actual temperature 60°F (±35°F) greater than T-SET MAX
- F3** Open temperature sensor
- F4** Shorted temperature sensor
- F5** Relay open or relay ohms high when cooking
- F6** No 60 Hz (Cycles per second other than 60 Hz detected)

Have unit serviced by an Authorized Wells Service Agency.

A. NO PART OF THE APPLIANCE WILL HEAT

1. Verify that appropriate cooking controls are *ON*.
2. Check electrical supply. Make sure service breaker is *ON*.
3. Make sure all filters are properly installed, and that no filter warning lights are lit.
4. Possible improper service wiring: Have a licensed electrician verify that all three legs of the 3Ø service are properly connected (i.e. Leg 1 to L1, Leg 2 to L2, Leg 3 to L3), and that all three legs are of the proper voltage and phase.
5. Ansul® Fire Suppression System not charged.

B. GRIDDLE WILL NOT HEAT

1. Verify that associated temperature control is set to the desired temperature.
2. Possible internal component damage: Have unit serviced by an Authorized Wells Service Agency.

C. CONVECTION OVEN WILL NOT HEAT See Error Codes diagram at left.

1. Verify that the oven switch is *ON* and that the temperature control is set to the desired temperature.
2. Verify that the door is closed.
3. Hi-Limit control may have tripped: Allow unit to cool; Hi-Limit will reset automatically.
4. Blown fuse(s) (item 40): Correct cause of over-current and replace fuses with fuses having the same configuration and ratings.
5. Possible internal component damage: Have unit serviced by an Authorized Wells Service Agency.

D. CONVECTION OVEN FAN WILL NOT RUN

1. Verify that the oven switch is set to *ON* or *FAN*.
2. Verify that the fan switch is set to either *HIGH* or *LOW*.
3. Hi-Limit control may have tripped: Allow unit to cool; Hi-Limit will reset automatically.
4. Blown fuse(s): Correct cause of over-current and replace fuses with fuses having the same configuration and ratings.
5. Possible internal component damage: Have unit serviced by an Authorized Wells Service Agency.

NOTE: Other than filters, there are no user serviceable components in the appliance.

- A. In all cases of damage or component malfunction, contact your Authorized Wells Service Agency for repairs.
- B. For service of the fire suppression system, contact an Authorized Ansul® Distributor.

SERVICING INSTRUCTIONS

TEMPERATURE CALIBRATION

PRECAUTIONS: The technician is exposed to hot surfaces during this procedure. Wear appropriate protective clothing.

FREQUENCY: Monthly, at a Minimum; or, As Needed

TOOLS: Digital Pyrometer with Oven Probe,
Protective Gloves

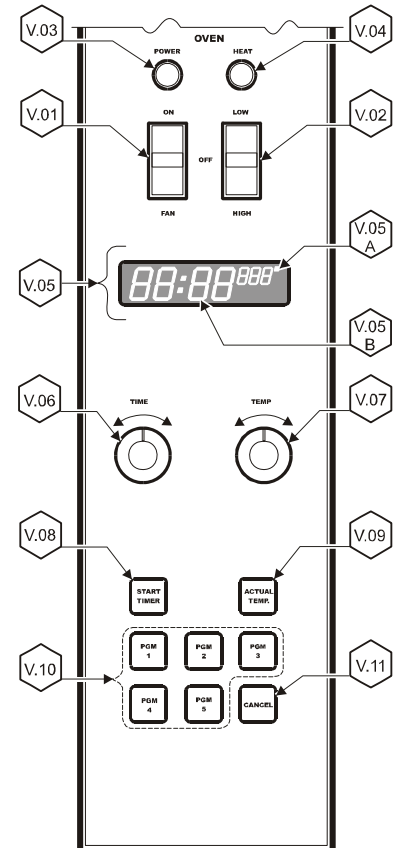


CAUTION: HOT SURFACE

Exposed surfaces can be hot to the touch and may cause burns.

THE FOLLOWING PROCEDURE IS TO BE PERFORMED BY QUALIFIED PERSONNEL ONLY

1. With the oven empty, clamp the thermocouple sensor in the center of the middle rack:
 - a. Pass the thermocouple sensor wires through the corner of the door gasket and close the door.
 - b. Plug the sensor into the Pyrometer.
2. Turn the OVEN POWER (V.01) switch to *ON*. Turn the FAN switch (V.02) to *HI*.
 - a. Rotate the TIME control (V.06) until the time digits (V.05B) on the display read "60:00".
 - b. Rotate the TEMP control (V.07) until the temp digits (V.05A) display 375°.
 - c. Press the START TIMER key (V.08).
3. Allow the oven to heat for 45 minutes. If, after 45 minutes, the temperature display reads between 370° and 380°, the calibration is satisfactory. Otherwise:
 - a. Rotate the TIME controller until the time digits (V.05B) on the display read "00:00".
 - b. Rotate the TEMP control until the temp digits (V.05A) display between 400° and 500°.
 - c. Press and hold the START TIMER (V.08) key for five seconds.
 - d. Turn either the TIME or TEMP control until the desired offset is displayed.
 - e. Press the ACTUAL TEMP (V.09) key to exit. Procedure is complete.



SERVICING INSTRUCTIONS (continued)



CAUTION: BURN HAZARD

Allow appliance to cool completely before adjusting.

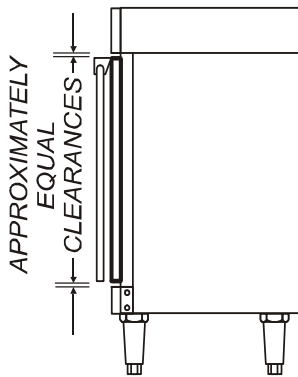
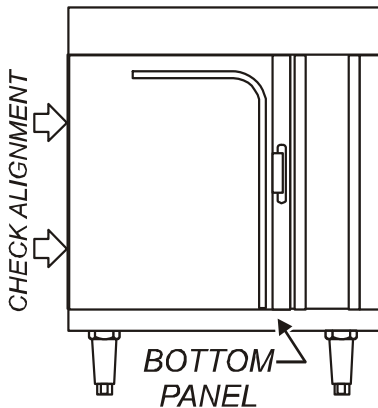
HINGE ADJUSTMENT

PRECAUTIONS: None

FREQUENCY: Monthly, at a Minimum; or, As Needed

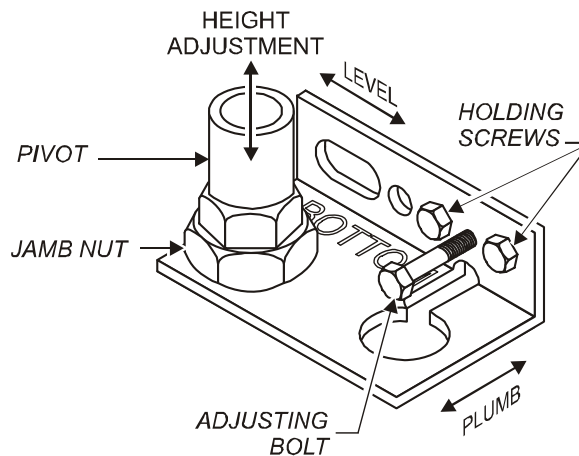
TOOLS: Phillips (+) Screwdriver
7/16" Nut Driver
7/8" and 1-1/8" Wrenches

THE FOLLOWING PROCEDURE IS TO BE PERFORMED BY QUALIFIED PERSONNEL ONLY



Hinge Adjustment

1. Remove bottom panel to access pivot.



2. Gap between top of door and frame, and between bottom of door and frame must be approximately equal

Adjust height of door by loosening jamb nut, then turning pivot on its screw mounting. Clockwise lowers the door height. Re-tighten jamb nut.

3. Gap between left side of door and frame must be the same from top to bottom

Adjust door for plumb by loosening holding screws. Turn adjusting bolt to increase or decrease gap at bottom. Clockwise increases gap. Re-tighten holding screws.

4. Gap between top of door and frame must be the same from side to side

Adjust door for level by loosening holding screws, then raising or lowering latch-end of door until it is level. Re-tighten holding screws.

5. Reinstall bottom panel.

Procedure is complete

MAINTENANCE SCHEDULES

1. 6-MONTH MAINTENANCE (MUST BE PERFORMED BY AN AUTHORIZED ANSUL® DISTRIBUTOR ONLY):

- a. Inspect and test total operation including FIRE DAMPER and all SAFETY INTERLOCKS.
- b. All FIRE SUPPRESSION SYSTEM actuation components including MANUAL PULL STATION and any REMOTE MANUAL PULL STATION must be inspected for proper operation in accordance with the maintenance schedule published in *ANSUL® R-102 SYSTEM DESIGN, INSTALLATION, RECHARGE AND MAINTENANCE MANUAL* (Ansul® #418087-05).
- c. The FIRE SUPPRESSION SYSTEM FUSIBLE LINKS must be inspected. NOZZLES and MANUAL PULL STATION must be cleaned in accordance with *ANSUL® R-102 SYSTEM DESIGN, INSTALLATION, RECHARGE AND MAINTENANCE MANUAL* (Ansul® #418087-05).
- d. The FIRE SUPPRESSION AGENT TANK, PIPING and FLEXIBLE TUBING must be INSPECTED.

USE AND MAINTENANCE SHALL BE IN ACCORDANCE WITH THE *STANDARD FOR VENTILATION CONTROL AND FIRE PROTECTION OF COMMERCIAL COOKING OPERATIONS*, N.F.P.A 17A & N.F.P.A. 96 (current editions).



**DANGER
FIRE
HAZARD**

FAILURE TO PROPERLY CLEAN AND MAINTAIN THIS EQUIPMENT CAN CAUSE A FIRE. AN UNCONTROLLED FIRE CAN CAUSE SERIOUS INJURY, DEATH AND/OR PROPERTY LOSS.

2. 12-YEAR MAINTENANCE: (MUST BE PERFORMED BY AN AUTHORIZED ANSUL® DISTRIBUTOR ONLY):

- a. The FIRE SUPPRESSION AGENT TANK and ¼" FLEX HOSE must be HYDROSTATICALLY TESTED, and the FIRE EXTINGUISHING AGENT must be REPLACED in accordance with the maintenance schedule published in *ANSUL® R-102 SYSTEM (STANDARD UL 300 LISTED)*.
- b. The FUSIBLE LINKS in plenum and damper must be REPLACED. This maintenance to be performed by qualified **Ansul®** service personnel only.

NOTE: A signed and dated VENTILATOR HOOD MAINTENANCE LOG must be maintained on the premises, and shall be available for inspection by the authority having jurisdiction. See pages 26 & 27.

IMPORTANT: Parts used for the Ansul® fire suppression system are not serviceable by the owner / operator. Procedures for servicing fire suppression equipment are described in: *ANSUL® R-102 SYSTEM DESIGN, INSTALLATION, RECHARGE AND MAINTENANCE MANUAL* (Ansul® #418087-05).

Inspection shall be conducted on a monthly basis in accordance with the manufacturer's Operation Manual. At a minimum, this inspection shall include verification of the following:

WELLS BLOOMFIELD, LLC
VENTILATOR HOOD OWNERS MONTHLY INSPECTION LOG

| OPERATION | AGENT / DATE | | | | | | | | | | | |
|--|---------------------|--|--|--|--|--|--|--|--|--|--|--|
| Extinguishing system components: In proper place and (visually) in good order | | | | | | | | | | | | |
| Manual pull station actuators for fire suppression system are unobstructed | | | | | | | | | | | | |
| The maintenance log is in place and up to date | | | | | | | | | | | | |
| No obvious physical damage or condition exists that might prevent operation of the fire suppression system | | | | | | | | | | | | |
| The nozzle blow-off caps are in place and in good condition | | | | | | | | | | | | |
| The hood, duct and protected cooking appliance have not been replaced, modified or relocated | | | | | | | | | | | | |
| Clean plenum GREASE BAFFLE and BLOWER (max. interval: 3 months) | | | | | | | | | | | | |
| Change PRE-FILTER and FILTER PACK (as required) | | | | | | | | | | | | |

ANSULEX Low pH
QUICK IDENTIFIER (In Plant Common Name)

| | |
|---|---|
| Manufacturer's Name: ANSUL INCORPORATED | Emergency Telephone No.: CHEMTREC (800) 424-9300 or (703) 527-3887 |
| Address: One Stanton Street, Marinette, WI 54143-2542 | Other Information Calls: (715) 735-7411 |
| Prepared By: Safety and Health Department | Date Prepared: February 1, 1999 |

SECTION 1 - IDENTITY

| | |
|--|---------------------------------|
| Common Name (Used on Label): (Trade Name and Synonyms) ANSULEX Low pH Liquid Fire Suppressant | CAS No.: N/A |
| Chemical Name: N/A This is a Mixture | Chemical Family: Mixture |
| Formula: N/A | |

SECTION 2 - INGREDIENTS

| PART A - HAZARDOUS INGREDIENTS | | | | |
|---|--------------|-----------|-----------|---|
| Principal Hazardous Component(s) (chemical and common name(s)): | Wt. % | CAS No. | ACGIH TLV | Acute Toxicity Data |
| None | N/A | N/A | N/A | N/A |
| | | | | |
| | | | | |
| PART B - OTHER INGREDIENTS | | | | |
| Other Component(s) (chemical and common name(s)): | Wt. % | CAS No. | ACGIH TLV | Acute Toxicity Data |
| Proprietary Mixture of Organic and Inorganic Salts | 48.0 - 50.0 | N/A | N/E | NDA |
| Phosphoric Acid | 0.2 | 7664-38-2 | N/E | NDA |
| EDTA | 0.65 | 64-02-8 | N/E | NDA |
| Yellow-Green Fluorescent Dye | 0.011 | 518-47-8 | N/E | Oral LD ₅₀ (rat) 6800 mg/kg |
| Water | Approx. 50.0 | 7732-18-5 | N/E | NDA |
| | | | | |

SECTION 3 - PHYSICAL AND CHEMICAL CHARACTERISTICS (Fire and Explosion Data)

| | | |
|--|--|---|
| Boiling Point: 113°C | Specific Gravity (H ₂ O=1): 1.33 | Vapor Pressure (mm Hg): Not Determined |
| Percent Volatile by Volume (%): Approx. 50.0 | Vapor Density: (Air = 1): 1.03 | Evaporation Rate: (Butyl Acetate=1): Approx. 0.005 |
| Solubility in Water: 100% | Reactivity in Water: Mild exothermic reaction | |
| Appearance and Odor: Fluorescent Yellow Colored Liquid, Mild Odor | | |
| Flash Point: None to boiling | Flammable Limits in Air % by Volume: N/A | Extinguisher Media: N/A |
| Special Fire Fighting Procedures: NONE - THIS IS AN EXTINGUISHING AGENT | Auto-Ignition Temperature: N/A | |
| Unusual Fire and Explosion Hazards: None | | |

SECTION 4 - PHYSICAL HAZARDS

| | |
|--|---------------------------------|
| Stability: Unstable <input type="checkbox"/> Stable <input checked="" type="checkbox"/> | Conditions to Avoid: N/A |
| Incompatibility (Materials to Avoid): Reactive Metals, ClF₃, electrically energized equipment, any material reactive with water. | |
| Hazardous Decomposition Products: Not established, acrid fumes. | |
| Hazardous Polymerization: May Occur <input type="checkbox"/> Will Not Occur <input checked="" type="checkbox"/> | Conditions to Avoid: N/A |

SECTION 5 - HEALTH HAZARDS

ANSULEX Low pH (continued)

| | | | |
|--|---|---|--|
| Threshold Limit Value: | None Established | | |
| Routes of Entry: Eye Contact: | Irritant | | |
| Skin Contact: | Irritant | | |
| Inhalation: | Not an expected route of entry. Can be irritating to mucous membranes. | | |
| Ingestion: | Irritating to mucous membranes. Acute Oral LD ₅₀ (Sprague-Dawley rats) 825.5mg/kg. | | |
| Signs and Symptoms: | Acute Exposure: Material irritates skin, eyes, and mucous membranes. Chronic Exposure: None known. | | |
| Medical Conditions Generally Aggravated by Exposure: | None known. | | |
| Chemical Listed as Carcinogen or Potential: | National Toxicology Program: Yes <input type="checkbox"/> No <input checked="" type="checkbox"/> | I.A.R.C Monographs: Yes <input type="checkbox"/> No <input checked="" type="checkbox"/> | OSHA Yes <input type="checkbox"/> No <input checked="" type="checkbox"/> |

SECTION 6 - EMERGENCY AND FIRST AID PROCEDURES

| | |
|---------------|--|
| Eye Contact: | Flush and irrigate with water for 15 minutes while holding eyelids open. If irritation persists, seek medical attention. |
| Skin Contact: | Wash thoroughly with soap and water. If irritation persists, seek medical attention. |
| Inhalation: | Fresh air if symptoms occur. If irritation persists, seek medical attention. |
| Ingestion: | Dilute by drinking large quantities of water. |

SECTION 7 - SPECIAL PROTECTION INFORMATION

| | | | |
|---|---|-----------------------|--|
| Respiratory Protection (Specify Type): | N/A | | |
| Ventilation: | Local Exhaust: N/A | Mechanical (General): | N/A |
| Protective Gloves: | Rubber gloves for spill/leak | Eye Protection: | Chemical goggles recommended during spill/leak procedures. |
| Other Protective Clothing or Equipment: | Eye wash and safety showers are good safety practice. | | |

SECTION 8 - SPECIAL PRECAUTIONS AND SPILL/LEAK PROCEDURES

| | |
|--|---|
| Precautions to be taken in Handling and Storage: | Store in original container. Keep tightly closed. Keep separate from acid. |
| Other Precautions: | See incompatibility information in Section 4. |
| Steps to be taken in Case Material is Released or Spilled: | Stop leaks. Contain spills. Remove as much as possible. Place in closed container for proper disposal Wash spill area with large amounts of water to remove traces and neutralize. |
| Waste Disposal Methods: | Dispose of in compliance with local, state and federal regulations. |

HAZARDOUS MATERIAL IDENTIFICATION SYSTEM

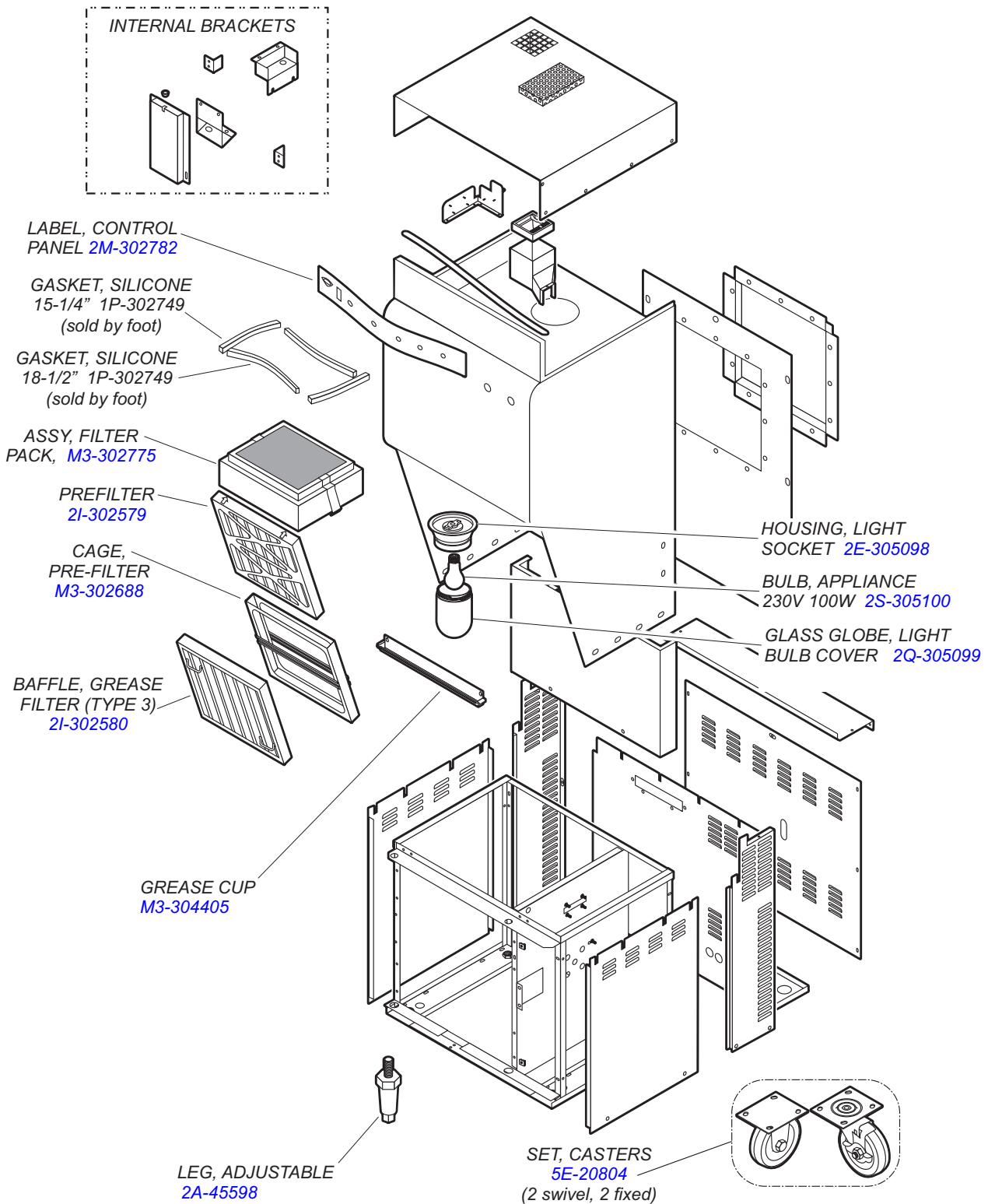
| | |
|-------------------|----------------|
| HAZARD INDEX | |
| 4 SEVERE HAZARD | 0 HEALTH |
| 3 SERIOUS HAZARD | |
| 2 MODERATE HAZARD | 0 FLAMMABILITY |
| 1 SLIGHT HAZARD | |
| 0 MINIMAL HAZARD | 0 REACTIVITY |

N/A = Not Applicable NDA = No Data Available N/E = Not Established
ANSUL and ANSULEX are registered trademarks.

Internet Address: <http://www.ansul.com>

EXPLODED VIEW & PARTS LIST

HOOD SECTION - CABINET COMPONENTS

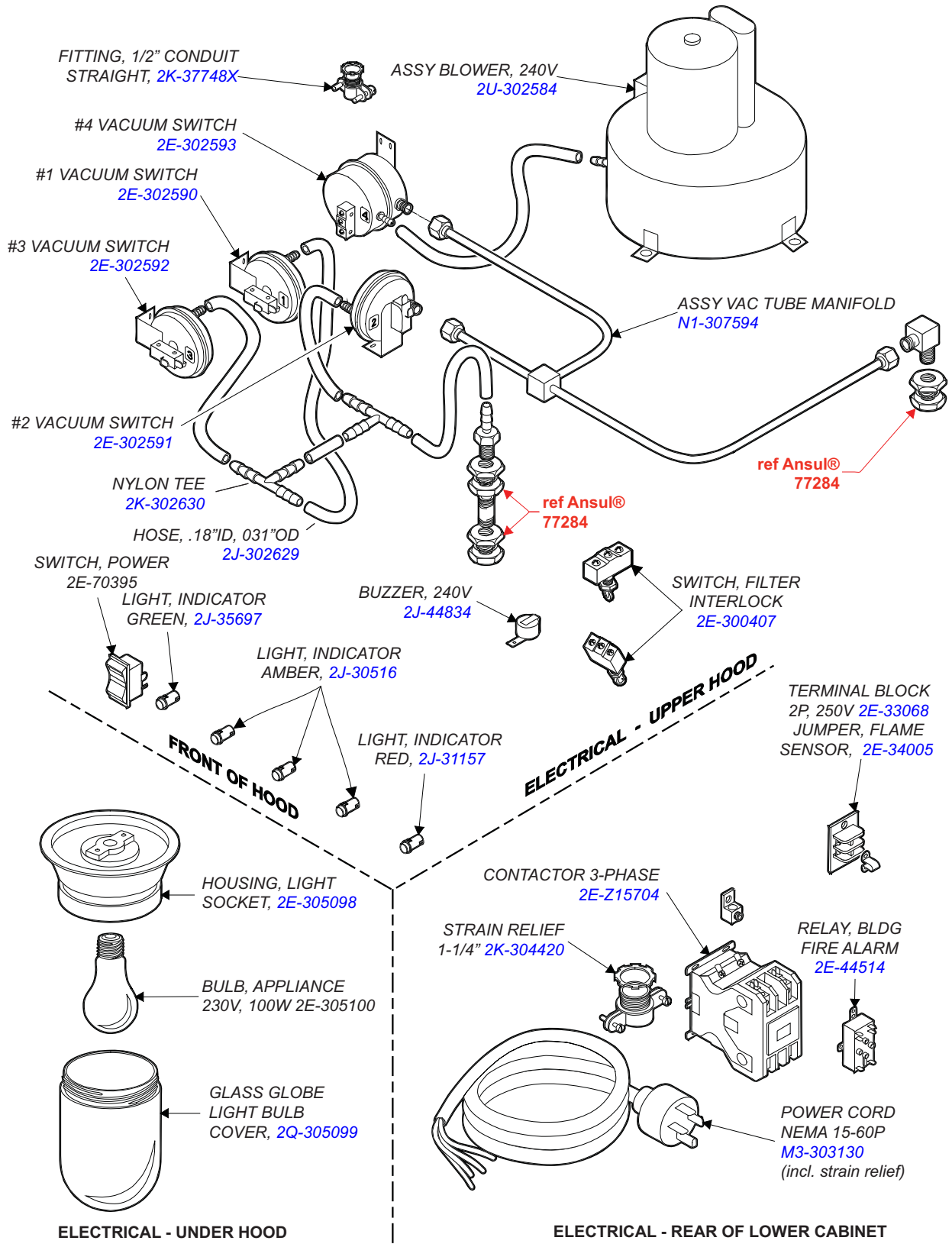


IL2541, Rev. -, 9/25/2012

M509 2M-305936 Owners Manual / WVOG136

EXPLODED VIEW & PARTS LIST

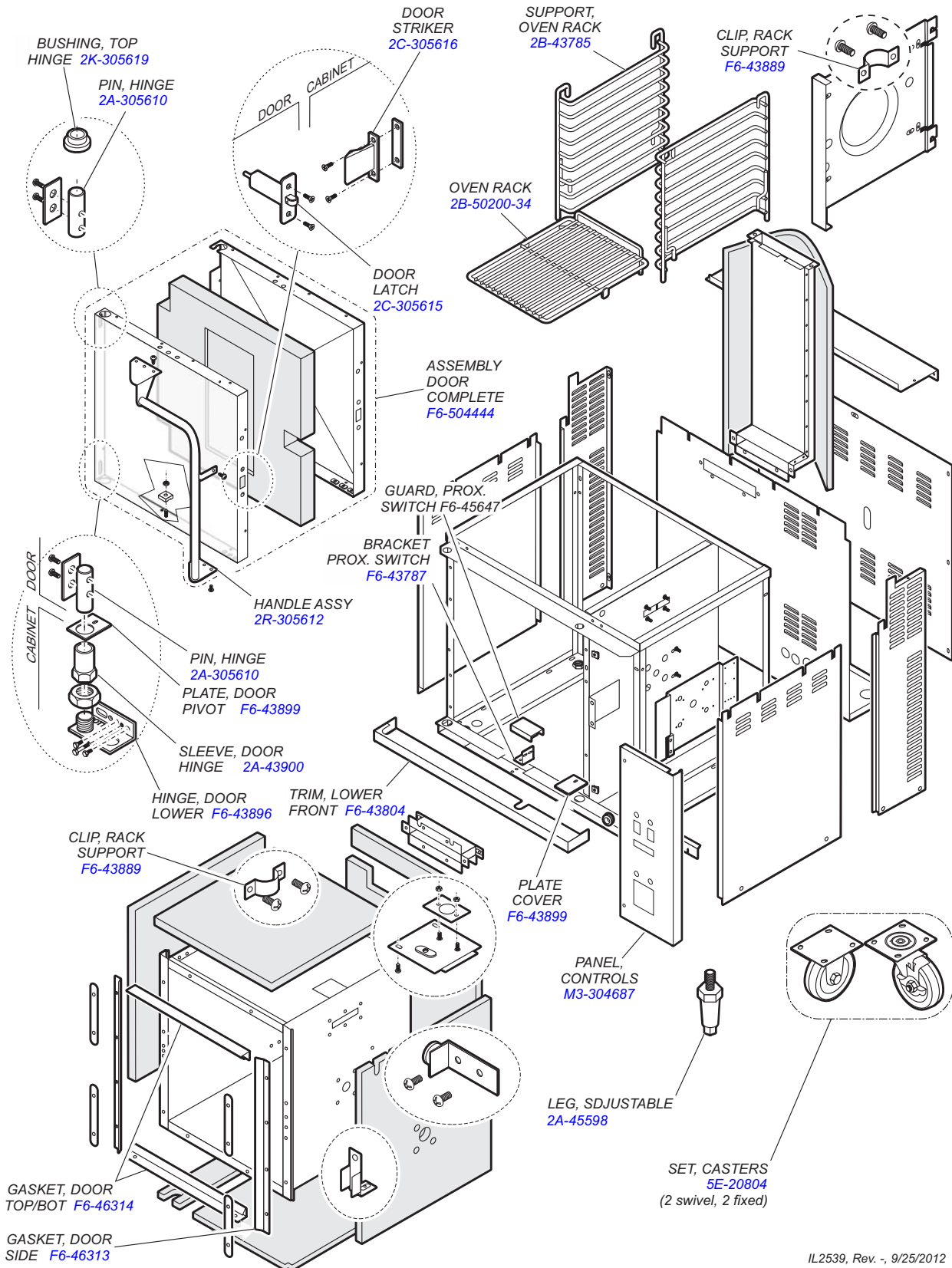
HOOD SECTION - ELECTRICAL & VACUUM COMPONENTS



M509 2M-305936 Owners Manual WVOG136

EXPLODED VIEW & PARTS LIST

CONVECTION OVEN SECTION - CABINET COMPONENTS

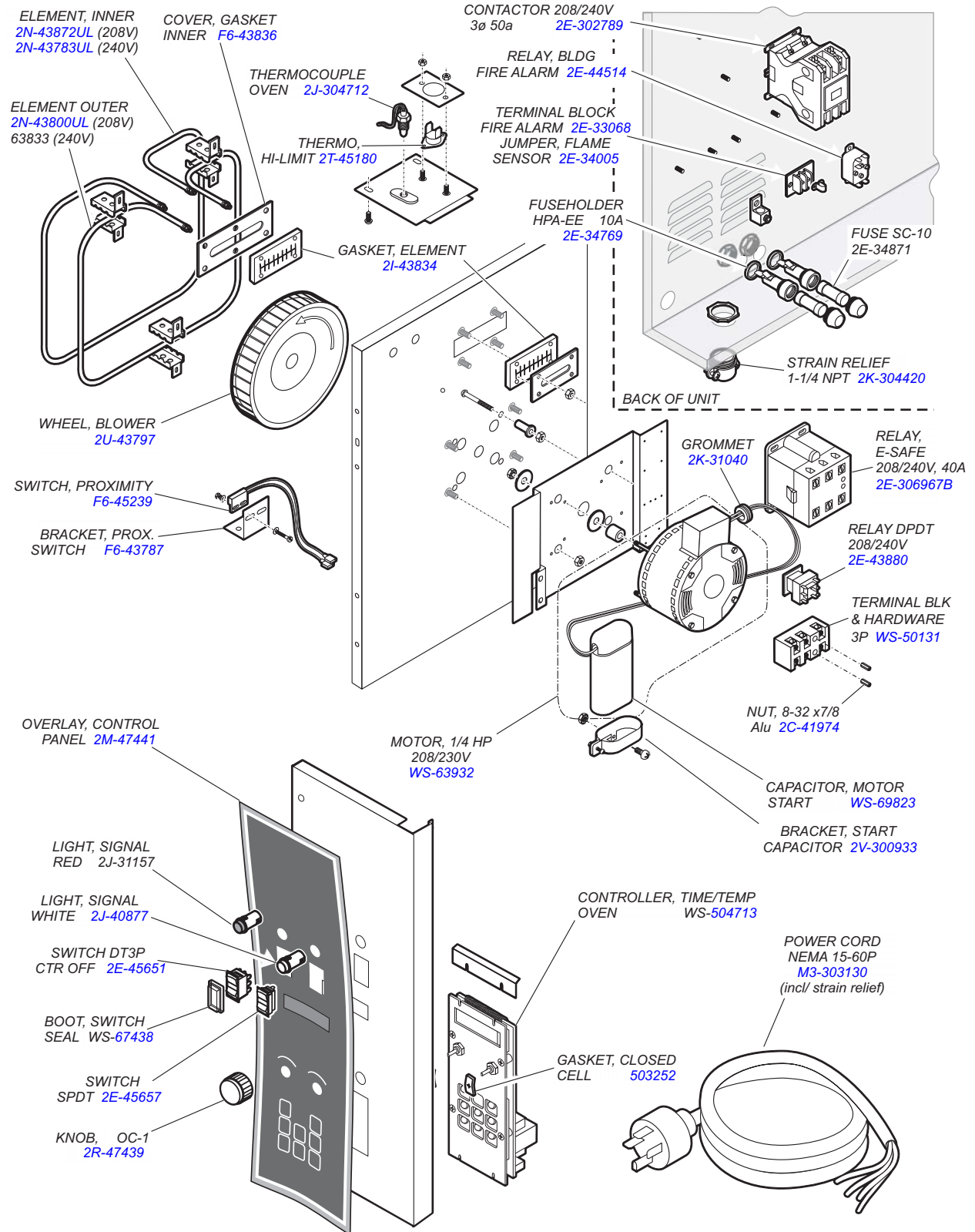


M509 2M-305936 Owners Manual | WVOG136

IL2539, Rev. -, 9/25/2012

EXPLODED VIEW & PARTS LIST

CONVECTION OVEN SECTION - ELECTRICAL COMPONENTS

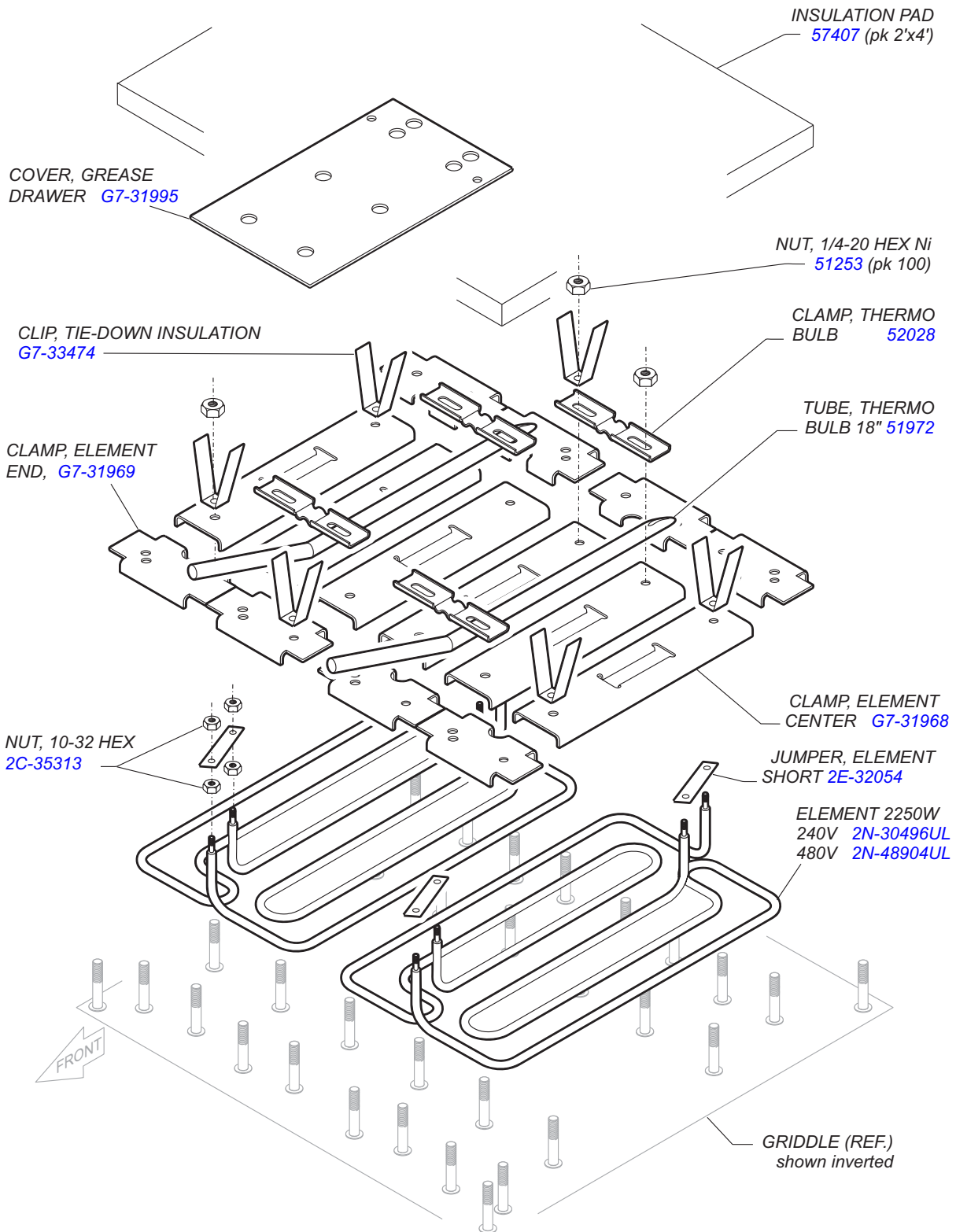


M509 2M-305936 Owners Manual WVOG136

IL2540, Rev. -, 9/24/12

EXPLODED VIEW & PARTS LIST

GRIDDLE SECTION - GRIDDLE PLATE & HEATING ELEMENT COMPONENTS

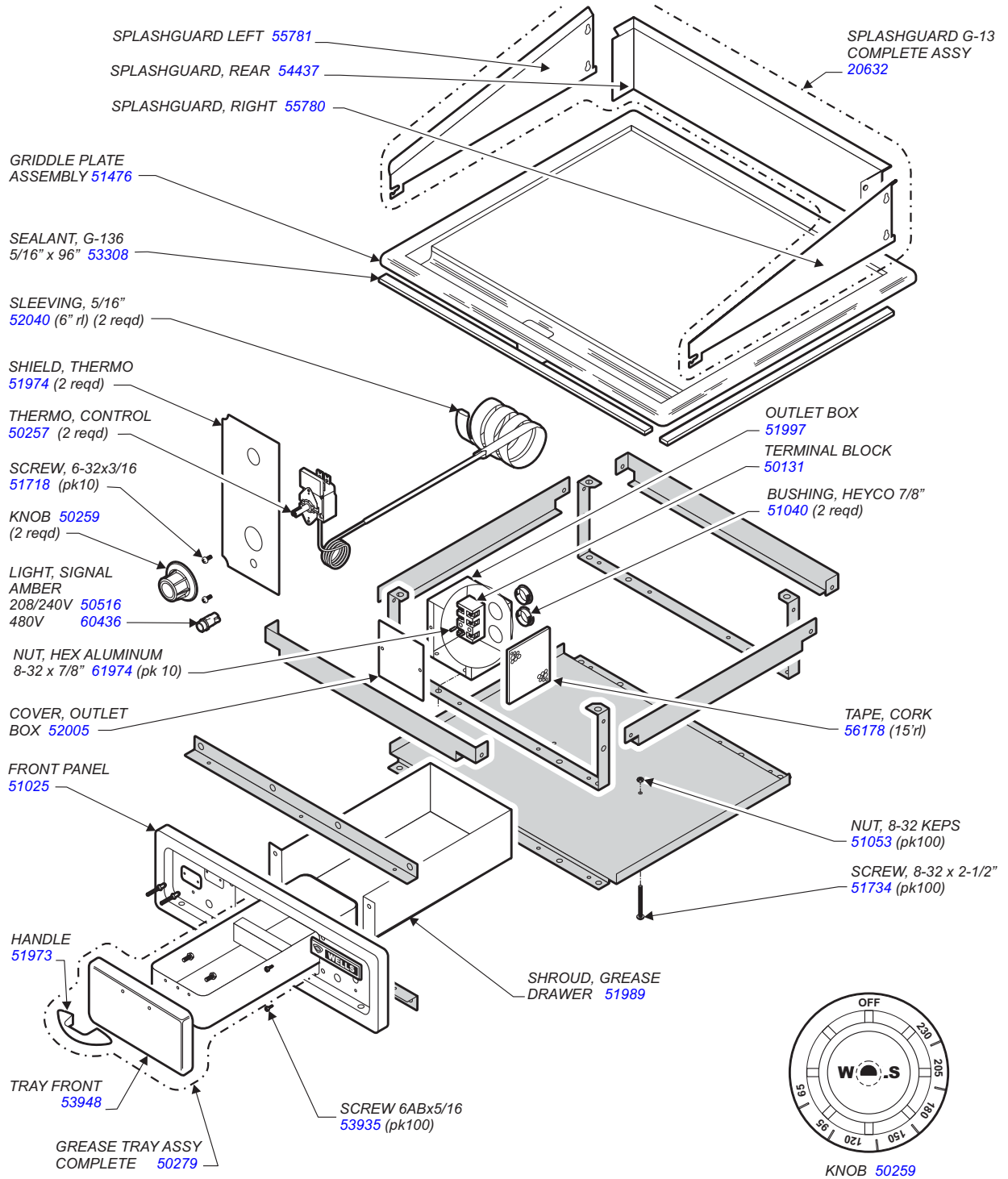


M509 2M-305936 Owners Manual | WVOG136

IL2542, Rev. - 9/24/2012

EXPLODED VIEW & PARTS LIST

CRIDDLE SECTION - CABINET & ELECTRICAL COMPONENTS

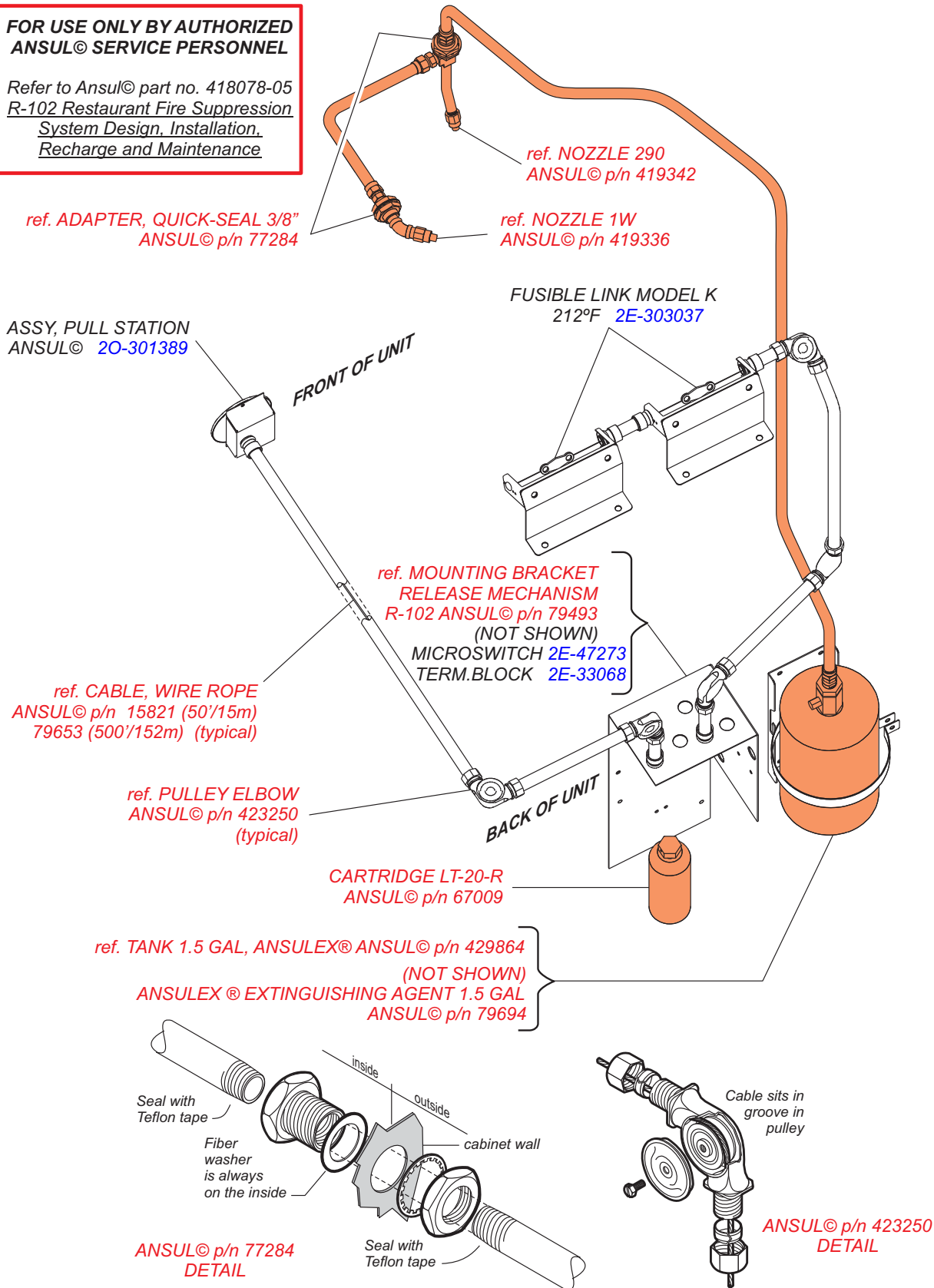


M509 2M-305936 Owners Manual WVOG136

ANSUL® FIRE SUPPRESSION SYSTEM COMPONENTS

**FOR USE ONLY BY AUTHORIZED
ANSUL® SERVICE PERSONNEL**

Refer to Ansul® part no. 418078-05
R-102 Restaurant Fire Suppression
System Design, Installation,
Recharge and Maintenance

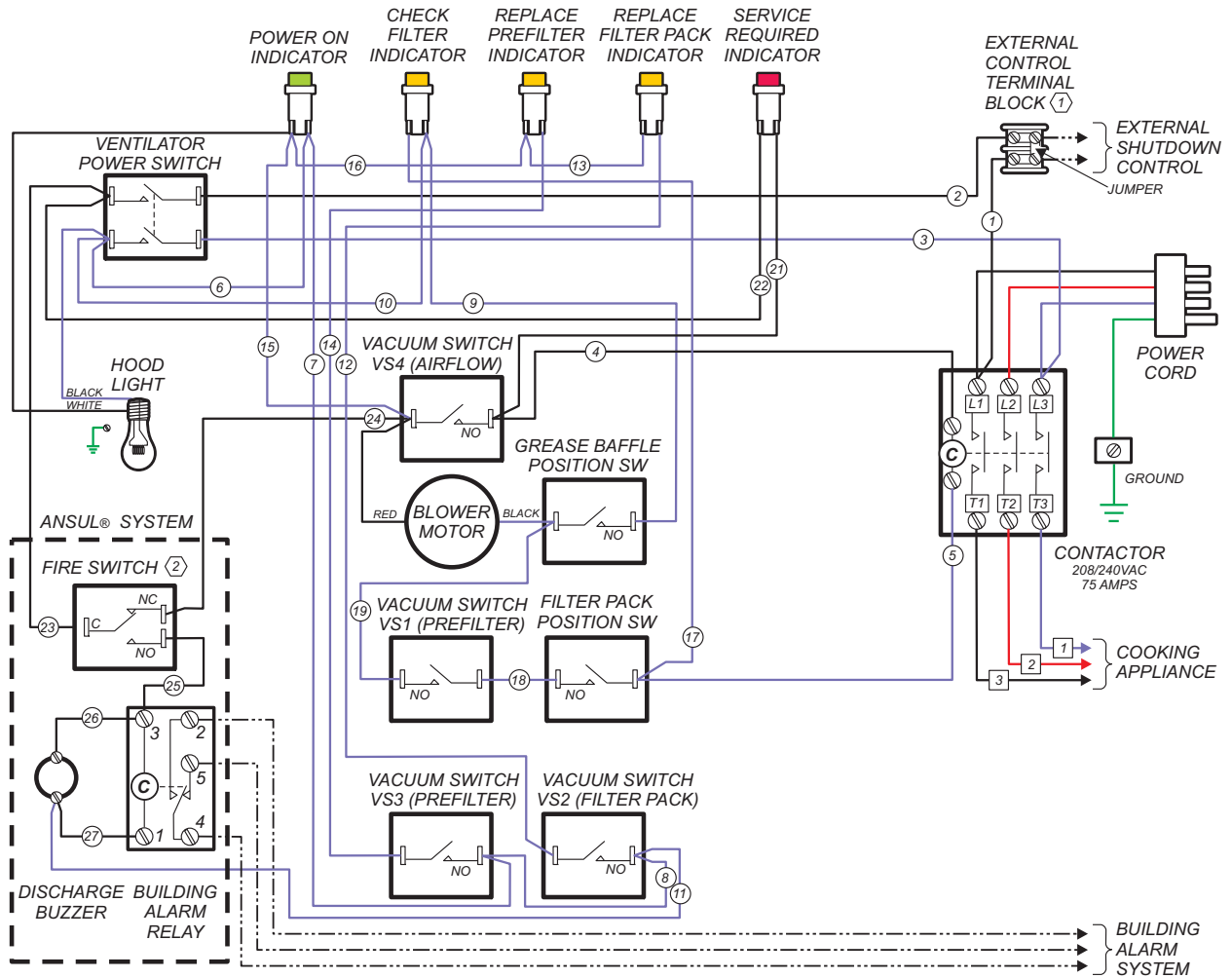


M509 2M-305936 Owners Manual WVOG136

IL2543, Rev. -, 9/25/2012

WIRING DIAGRAM

HOOD SECTION



NOTES

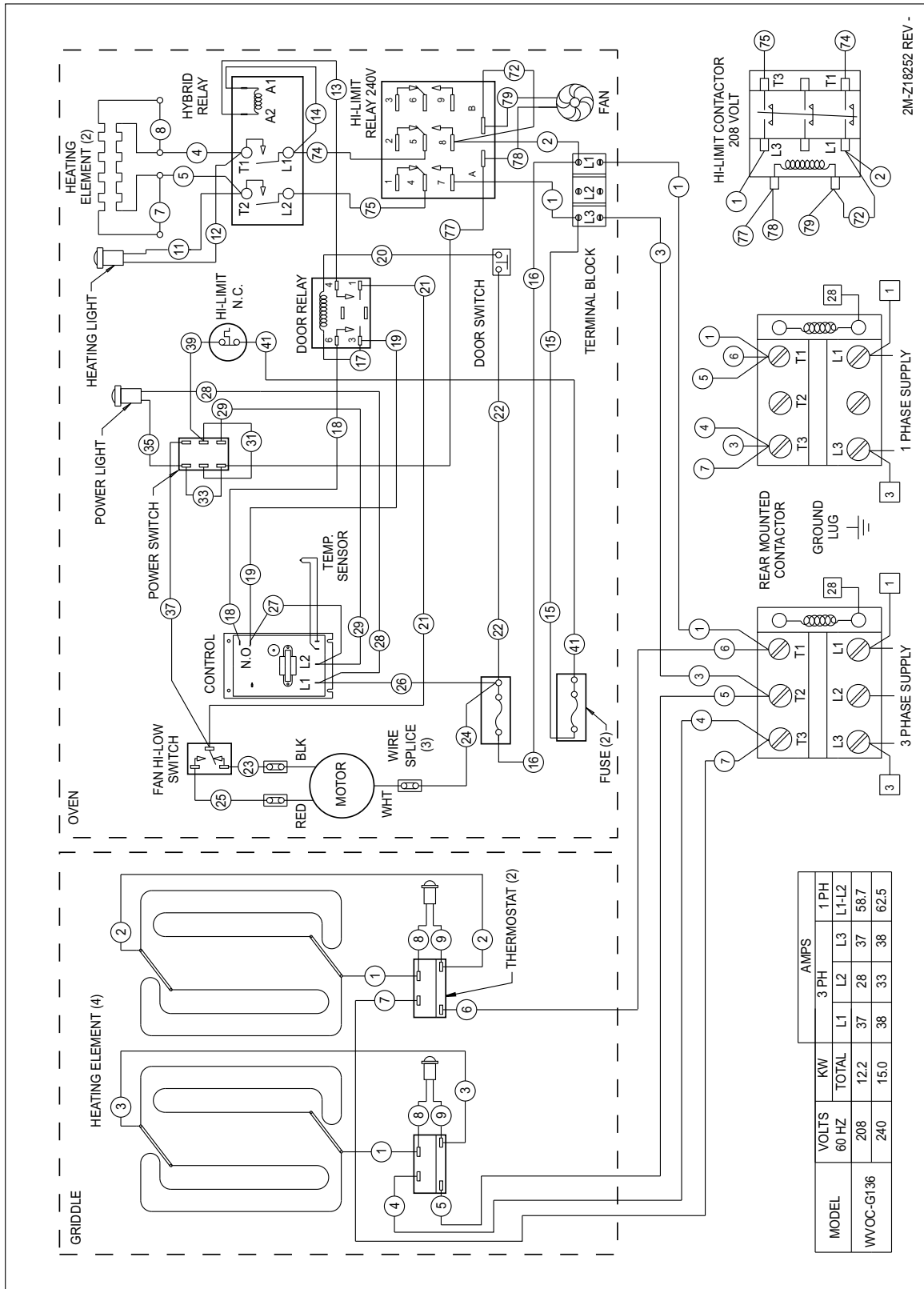
1. REMOVE JUMPER WHEN USING EXTERNAL CONTROL.
IMPORTANT:
DO NOT CONNECT ANY POWER TO EXTERNAL CONTROL TERMINAL BLOCK!
2. FIRE SWITCH SHOWN WITH ANSUL® SYSTEM CHARGED AND COCKED

| MODEL | VOLTS 60Hz | 3ø AMPS | | | 1ø AMPS | WATTS |
|-----------|---------------|---------|----|----|------------|--------|
| | | L1 | L2 | L3 | | |
| WVOC-G136 | 208V | 37 | 28 | 37 | 59 | 12,200 |
| | 240V | 38 | 33 | 38 | 63 | 15,000 |

from part no. 305931 issue B

WIRING DIAGRAM

CONVECTION OVEN & GRIDDLE SECTION



2M-Z18252 REV -

M509 2M-305936 Owners Manual / WVOC-G136

NOTES

DESCRIPTION

SERVICE PART NO.

IMPORTANT: Use only factory authorized service parts and replacement filters.

DRAWER PAN, REPLACEMENT
 4" RAZOR SCRAPER
 PRE-FILTER
 PRE-FILTER CAGE
 FILTER PACK (HEPA + CHARCOAL)
 GREASE BAFFLE
 LEG KIT
 CASTER KIT
 GREASE CUP

C8-46840
 2R-302040
 2I-302579
 M3-302688
 M3-302775
 2I-302580
 5M-22649
 5M-22650
 DD-302708

For factory authorized service, or to order factory authorized replacement parts, contact your Wells authorized service agency, or call:

Wells Manufacturing
 10 Sunnen Dr.,
 St. Louis MO 63143 USA

WELLS BULLETIN (ANSUL® PARTS LIST)

DD-303331

NOTE: Ansul® Manual 418087-05 and Wells Bulletin 303331 are intended for use by authorized **Ansul®** service personnel only. Ansul® Manual 418087-05 must be obtained through your authorized Ansul® distributor.

Service Dept.
 phone: (314) 678-6314
 fax: (314) 781-2714

Service Parts Department can supply you with the name and telephone number of the **WELLS AUTHORIZED SERVICE AGENCY** nearest you.

CUSTOMER SERVICE DATA

please have this information available if calling for service

RESTAURANT _____ LOCATION _____
 INSTALLATION DATE _____ TECHNICIAN _____
 SERVICE COMPANY _____
 ADDRESS _____ STATE _____ ZIP _____
 TELEPHONE NUMBER (_____) _____ - _____

EQUIPMENT MODEL NO. _____
 EQUIPMENT SERIAL NO. _____
 VOLTAGE: (check one) 208 240



Wells Bloomfield proudly supports CFESA
Commercial Food Equipment Service Association

SERVICE TRAINING - QUALITY SERVICE



CUSTOMER SATISFACTION



WELLS MANUFACTURING
10 Sunnen Dr., St. Louis, MO 63143
telephone: 314-678-6314
fax: 314-781-2714
www.wellsbloomfield.com