



SOLUTIONS

WELLS BLOOMFIELD, LLC
265 Hobson St. • Smithville, TN 37166
telephone: (800) 264-7827
wells-mfg.com

522



OWNERS MANUAL

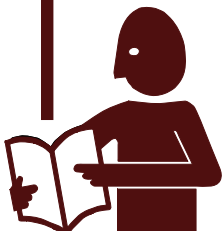
VENTLESS UNIVERSAL HOOD SYSTEM for ELECTRIC COOKING APPLIANCES MODEL WVU48

**Manual Includes
INSTALLATION
USE & CARE
EXPLODED VIEW
PARTS LIST
WIRING DIAGRAM**

IMPORTANT: DO NOT DISCARD THIS MANUAL

This manual is considered to be part of the appliance and is to be given to the OWNER or MANAGER of the restaurant, or to the person responsible for TRAINING OPERATORS of this appliance. Additional manuals are available from your WELLS DEALER.

THIS MANUAL MUST BE READ AND UNDERSTOOD BY ALL PERSONS USING OR INSTALLING THIS APPLIANCE. Contact your WELLS DEALER if you have any questions concerning installation, operation or maintenance of this equipment.



LIMITED EQUIPMENT WARRANTY

Wells Manufacturing warrants to the original purchaser of new Wells products to be free from defects in material or workmanship, under normal and proper use and maintenance service as specified by Wells and upon proper installation and start-up in accordance with the instructions supplied with each Wells unit. Wells’ obligation under this warranty is limited to a period of one [1] year beginning from the date of original installation. The warranty period begins upon the earlier of the date of original installation or up to six [6] months after the original shipment, from the factory, of the covered product. Defects that occur as a result of normal use, within the time period and limitations defined in this warranty, will at Wells’ discretion have the parts replaced or repaired by Wells or a Wells-authorized service agency.

THIS WARRANTY IS SUBJECT TO ALL LISTED CONDITIONS

Repairs performed under this warranty are to be performed by a Wells authorized service agency. Wells will not be responsible for charges incurred or service performed by non-authorized repair agencies. In all cases, the nearest Wells-authorized service agency must be used. Wells will be responsible for normal labor charges incurred in the repair or replacement of a warrantied product within 50 miles (80.5 km) of an authorized service agency. Time and expense charges for anything beyond that distance will be the responsibility of the owner. All labor will need to be performed during regular service hours. Any overtime premium will be charged to the owner. For all shipments outside the U.S.A. and Canada, please see the International Warranty for specific details. It is the responsibility of the owner to inspect and report any shipping damage claims, hidden or otherwise, promptly following delivery. No mileage or travel charges will be honored on any equipment that is deemed portable. In general, equipment with a cord and plug weighing less than 50 lb. (22.7 kg) is considered portable and should be taken or shipped to the closest authorized service agency, transportation prepaid.

CONTACT

Should you require any assistance regarding the operation or maintenance of any Wells Manufacturing; phone or email our service department. In all correspondence provide the model number and serial number of the unit needing service; include the voltage or gas type.

Normal Business Hours: 8:00 a.m. to 4:30 p.m. Central
 Telephone: 800-264-7827 Tech Service Option 2
 Email: TechService@partstown.com
www.Wells-Mfg.com

PRODUCTS	PARTS	LABOR
Universal Ventless Hoods (WVU)	1 year	1 year
Canopy Ventless Hoods (WVC)	1 year	1 year
*Universal ventless hoods and/or canopy ventless hoods purchased with approved Star Holdings electric equipment. **Star Holdings approved electric equipment purchased and installed a under ventless hood. *** Universal ventless hood and Star Holdings electric equipment must be on the same po and listed on the ventless start-up document for the 2-year warranty to apply.	2 years	2 years
"Cook'n Hold equipment (HW-106D)	2 years	2 years
Cast iron gates, burners and burner shields	1 year	
Original Wells parts sold to repair Wells equipment	90 days	

WARRANTY EXCLUSIONS

THE FOLLOWING WILL NOT BE COVERED UNDER WARRANTY.

Wells’ sole obligation under this warranty is limited to either repair or replacement parts, subject to the additional limitations detailed below. This warranty neither assumes nor authorizes any person to assume obligations other than those expressly covered by this warranty.

- Any product which has not been used, maintained, or installed in accordance with the directions published in the appropriate installation sheet and/or owner’s manual, including incorrect gas or electrical connection. Wells is not liable for any unit which has been mishandled, abused, misapplied, subjected to harsh chemicals, modified by unauthorized personnel, damaged by flood, fire, or other acts of nature [or God], or which have an altered or missing serial number.
- Installation, labor, and job checkouts, calibration of heat controls, air and gas burner/bypass/pilot adjustments, gas or electrical system checks, voltage and phase conversions, cleaning of equipment, or seasoning of griddle surface.
- Replacement of fuses or resetting of circuit breakers, safety controls, or reset buttons.
- Replacement of broken or damaged glass components, quartz heating elements, and light bulbs.
- Labor charges for all removable and consumable parts in gas charbroilers and hotplates, including but not limited to burners, grates, and radiants.
- Any labor charges incurred by delays, waiting time, or operating restrictions that hinder a service technician’s ability to perform service.
- Replacement of parts that fail or are damaged due to normal wear or labor for replacement of parts that can be replaced during a daily cleaning routine, such as but not limited to silicone belts, PTFE non-stick sheets, control labels, knobs, bulbs, fuses, quartz heating elements, baskets, racks, and grease drawers.
- Any economic loss of business or profits.
- Non-OEM parts. Use of non-OEM parts without Wells’ approval will void the warranty.
- Units exceeding one [1] year from original installation date.

ADDITIONAL WARRANTIES

- Specific/chain-specific equipment may have additional and/or extended warranties.

The foregoing warranty is in lieu of any and all other warranties expressed or implied and constitutes the entire warranty.

TABLE OF CONTENTS

WARRANTY	xi
ELECTRICAL SPECIFICATIONS	1
FEATURES & OPERATING CONTROLS	2-3
PRECAUTIONS & GENERAL INFORMATION	4
INSTALLATION	5
Unpacking & Inspection	5
Components	5
Under-Hood Appliance Limitations	6-7
Service Technician Installation Notes	8-9
Base Assembly	10-15
Under-Hood Specific Limitations	16-18
Electrical Installation	19-21
ANSUL® INSTALLATION & SETUP	21-22
Filter Installation	23
OPERATION	24
Operation Lights	24
CLEANING INSTRUCTIONS	25-26
DISCHARGE DIRECTION CHANGE	27
REQUIRED MAINTENANCE & MAINTENANCE LOGS	28-32
TROUBLESHOOTING SUGGESTIONS	33
WIRING DIAGRAM	34
EXPLODED VIEW & PARTS LIST	35-44
PARTS & SERVICE	45
CUSTOMER SERVICE DATA	45
APPLICATION FOR VENTLESS APPROVALS	46-47
GETTING STARTED	48

INTRODUCTION

Thank You for purchasing this Wells Manufacturing appliance.

Proper installation, professional operation and consistent maintenance of this appliance will ensure that it gives you the very best performance and a long, economical service life.

This manual contains information and instructions for the ventless ventilation hood, its use and care.

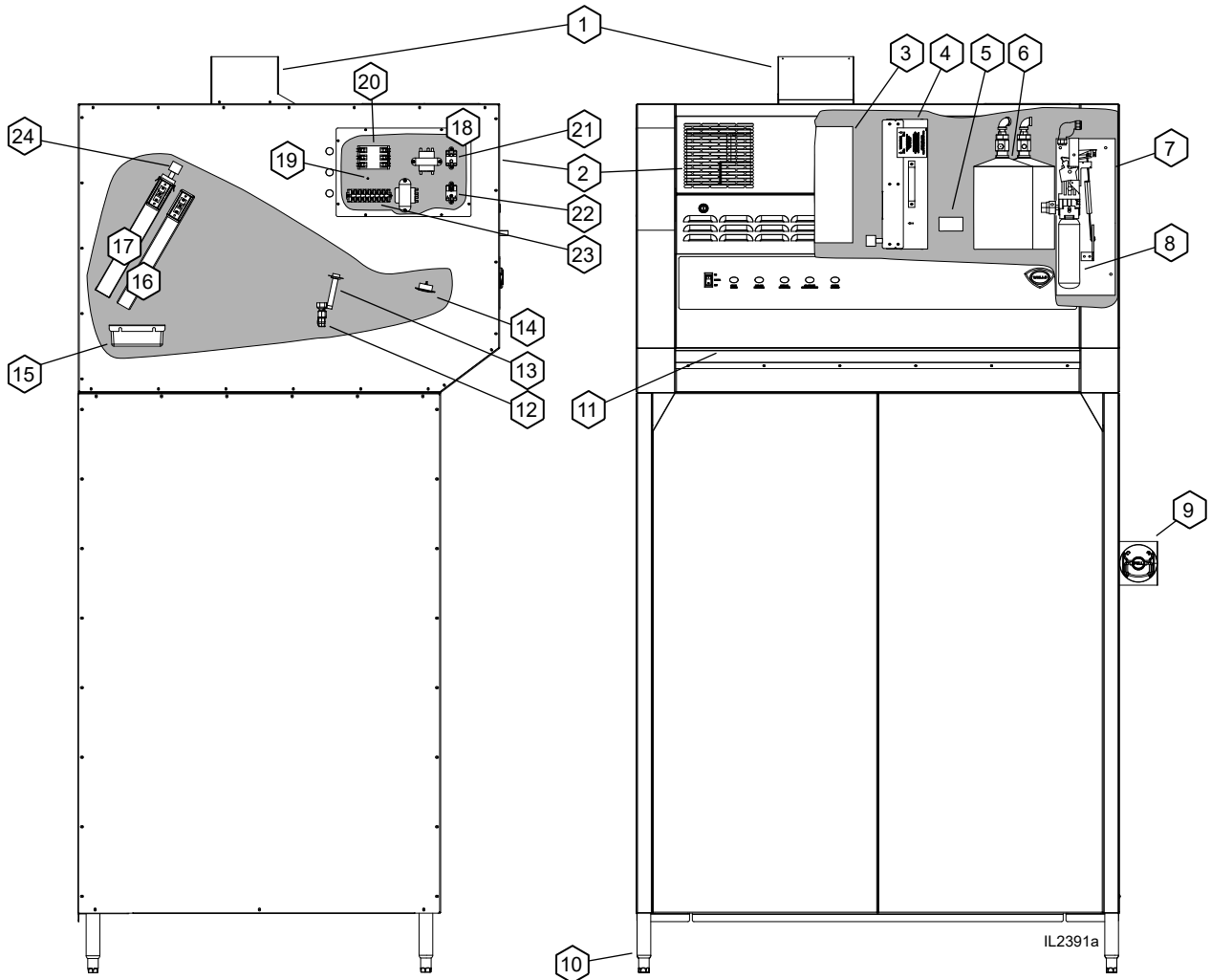
For information regarding cooking appliance(s), please refer to the manufacturer's operation manual.

Note: Wells Ventless does not qualify for free prepaid freight. Wells Ventless is made to order and is non-refundable.

ELECTRICAL SPECIFICATIONS

Model	Volts	Amps	Power Supply
WVU48	208/240V	3.5	For supply connection use #12 AWG copper wire only.

FEATURES & OPERATING CONTROLS



Ventilator Section Operating Features & Controls

M522 p/n 2M-Z23068 OpM WVU- Universal Hood

FEATURES & OPERATING CONTROLS continued

FEATURES & OPERATION CONTROLS

ITEM NO	DESCRIPTION	COMMENT
1	VENTILATOR EXHAUST DUCT, TOP	Exit point for ventilator airflow - on top of unit. DO NOT BLOCK
2	VENTILATOR EXHAUST DUCT, FRONT	Exit point for ventilator airflow - on front of unit. DO NOT BLOCK
3	VENTILATOR FAN	Provides air movement for ventilation
4	HI-EFFICIENCY/CHARCOAL FILTER PACK	Removes grease and smoke particles. Also assists in cooking odor removal.
5	NAMEPLATE	Gives manufacturer, make and model description. Also list voltage and amperage data.
6	FIRE SUPPRESSION TANK	Container for ANSUL® Low-pH Liquid fire suppression fluid.
7	ACTUATOR ASSY	Triggers deployment of suppression fluid through manual pull station or electric detection.
8	ANSUL® CARTRIDGE	Propels suppression liquid through suppression manifold and nozzles.
9	MANUAL PULL STATION	Provides a means of manual activation of the fire suppression system. PULL ONLY IN CASE OF FIRE!
10	ADJUSTABLE LEGS	Allows the unit to be leveled.
11	AIR WALL	A wall of air that moves the grease and smoke particles into the filter system.
12	DISCHARGE NOZZLES	Fire suppression media discharges here, (6 places 48", 12 places 96")
13	ELECTRICAL DETECTORS	Designed to activate at certain temperature. Activates (i.e. fire on the cooktop) activates fire suppression system. Should be checked every 6 months during ANSUL® Service Inspection
14	APPLIANCE LIGHT	ON when hood power switch is ON. Illuminates cooking area.
15	GREASE DRIP TRAY	Collects grease/moisture dripping from baffle filter (16)
16	BAFFLE FILTER	Extracts and drains most greases and moisture from the air flow.
17	PRE-FILTER ASSEMBLY	Comprises the PRE-FILTER FRAME and a replaceable PRE-FILTER. Stops large particles of grease from reaching the FILTER PACK for reduced maintenance costs.
18	ELECTRICAL CONNECTION BOX	Houses electrical components
19	GROUND LUG	Ground wire of power connection connects here.
20	EQUIPMENT INTERFACE CONTACTOR	Energizes cooking appliances only while ventilator section is sensed as operational.
21	BUILDING FIRE ALARM RELAY	Reports fire alarm condition to building fire management system.
22	DETECTION END OF LINE RELAY	Prevents appliance operation if a fault is found in detection circuit.
23	SUPPLY CONNECTION TERMINAL BLOCK	Provides connection point for electrical circuitry
24	FILTER INTERLOCK SWITCHES	Proper installation of baffle filter and filter pack closes these switches in ventilator sensor circuit

PRECAUTIONS AND GENERAL INFORMATION



DANGER: **SUFFOCATION HAZARD**

Do not attempt to use this ventilator with gas-fired units. This ventilator will not remove products of combustion. Unvented exhaust gases can be deadly.



WARNING: **SHOCK HAZARD**

All servicing requiring access to non-insulated electrical components must be performed by a factory authorized technician.

DO NOT open any access panel which requires the use of tools. Failure to follow this warning can result in severe electrical shock.

IMPORTANT:

The ventilator is disabled when the filters are plugged to the point of insufficient airflow for proper operation. Also, power to the cooking appliances is interrupted if any filters or service panel are removed.

It is the responsibility of the store management to maintain sufficient spares of filter packs to avoid prolonged shutdown due to a dirty or clogged filter pack. Filter packs cannot be cleaned.

Wells Manufacturing assumes no liability for loss of business due to a filter related shutdown. Spare filters can be purchased from any authorized Wells servicer or calling Wells.

This ventilator hood is part of an engineered system and is intended for use in commercial establishments only.

This ventilator is intended for commercial establishments for use in the preparation of food for human consumption. No other use is recommended or authorized by the manufacturer or its agents.

Operators of this appliance must be familiar with the appliance use, limitations and associated restrictions. Operating instructions must be read and understood by all persons using or installing this appliance.

This ventilator hood system is designed to reduce odor emissions, but will not completely eliminate all cooking odors. Air exchange rates at the installation site must comply with the requirements of the local jurisdictional authority. To ensure that odors do not accumulate, recommended minimum air exchange is 200 cfm per linear foot of hood into *and out of* the site.

This unit is intended for use with light- and medium duty electric cooking appliances only. Cooking appliances placed under this ventilator must comply with the restrictions set forth in the *Installation section of this manual*.

Do not connect or energize this appliance until all installation instructions are read and understood. Property damage or bodily injury may result if these instructions are not followed. Disconnect this appliance from electrical power before performing any maintenance or servicing.

Cleanliness of this appliance is essential to good sanitation. Read and follow all included cleaning instructions and schedules to ensure the safety of the food product.

This appliance is not jet steam approved. Do not direct water jet or steam jet at this appliance, or at any control panel or wiring. Do not splash or pour water on, in or over any controls, control panel or wiring. Do not attempt to wash filter packs. Water will cause their immediate failure and disable the ventilator.

Exposed surfaces of this appliance can be hot to the touch and may cause burns.

Avoid storing flammable or combustible materials in, on or near the ventilator or associated cooking appliance.

The technical content of this manual, including any wiring diagrams, schematics, parts breakdown illustrations and/or adjustment procedures, is intended for use by qualified technical personnel.

Any procedure which requires the use of tools must be performed by a qualified technician.

All supplied instructions, diagrams, schematics, parts breakdown illustrations, notices and labels must remain with the appliance if the unit is sold or moved to another location.

This appliance is made in the USA. Unless otherwise noted, this appliance has American (SAE) sizes on all hardware.

INSTALLATION

UNPACKING & INSPECTION

Carefully remove the appliance from the carton. Remove all protective plastic film, packing materials and accessories from the appliance before connecting electrical power or otherwise performing any installation procedure.

Carefully read all instructions in this manual and any other documents packed with the appliance before starting any installation. All documentation should remain with the equipment operator for future reference.

Read and understand all labels and diagrams attached to the ventilator.

Carefully account for all components and accessories before discarding packing materials.

COMPONENTS

	4 ft
Pre-Filter	2 ea.
Baffle Filter	2 ea.
Filter pack	1 ea.
Grease cup	1 ea.

Ansul® components - must be installed by an authorized Ansul® distributor only:

4 ft

- 2 ea. Fire suppression agent tank**
- 2 ea. Fire suppression agent (Ansulex® Low pH) 1.5 gal.**
- 1 ea. Fire suppression system charging cartridge**

Store these components in a convenient place for later use.

The unit is shipped configured for horizontal discharge of the exhaust. To convert to vertical discharge:

1. Remove top access cover.
2. Remove internal turning vane.
3. Insert top discharge scoop assy and fasten w/hardware from cover.
4. Remove front discharge vent panel and damper assy.
5. Assemble damper in Top discharge scoop assy.
6. Replace front discharge vent panel.

NOTE: DO NOT discard the carton or other packing materials until you have inspected the appliance for hidden damage and tested it for proper operation. Refer to *SHIPPING DAMAGE CLAIM PROCEDURE* on the inside front cover of this manual.



WARNING: RISK OF INJURY

Installation procedures must be performed by a qualified technician with full knowledge of all applicable electrical codes. Failure can result in personal injury and property damage.

IMPORTANT:

Fire suppression system must be charged and certified by an authorized Ansul® distributor. Ventilator will not operate and cooking appliance will not be energized until the Ansul® fire suppression system has been charged.

IMPORTANT:

After cooking appliances are positioned under the hood, swivel nozzles must be positioned per Ansul® recommendations.

INSTALLATION (continued)

UNDER-HOOD APPLIANCE LIMITATIONS:

GENERAL LAYOUT DATA
SANITATION



MODEL WVU-48 UNIVERSAL VENTLESS HOOD SYSTEM

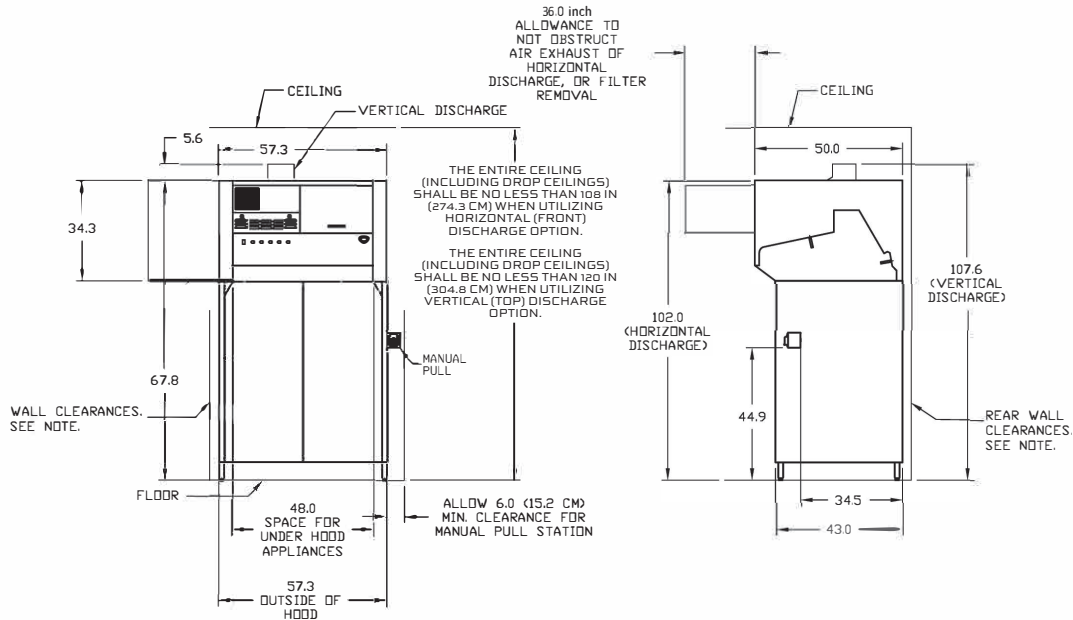
VOLTAGE AC 60 HZ	AMPS 1 PH.	HORSE POWER	TYPICAL AIRFLOW	MAX. GREASE EMMISSIONS	CLEARANCES TO COMBUSTIBLES	UNDER HOOD LED LIGHTING
208/240	3.5	3/4	1500 CFM	.0024 LB/HR/FT	SEE DRAWING	1500 LUMENS

NSF/ANSI 2 UL710B

UL CAT. YZCT RECIRCULATING SYSTEM FILE NO. MH48408

SPECIAL ENVIRONMENTAL NOTICE: THE HOOD SYSTEM IS DESIGNED TO REDUCE EMISSIONS BUT WILL NOT COMPLETELY ELIMINATE COOKING AROMAS. AIR EXCHANGE AT THE INSTALLATION SITE MUST COMPLY WITH REQUIREMENTS OF THE LOCAL JURISDICTIONAL AUTHORITY. A MINIMUM OF 800 CUBIC FEET OF FRESH AIR PER MINUTE INTO THE AREA IS RECOMMENDED TO ENSURE ADEQUATE DILUTION.

HOOD SYSTEM INSTALLATION – STAND MOUNT – REGARDLESS OF EQUIPMENT UNDER HOOD.



NOTE(S)

1. WALL CLEARANCES. REFERENCE NFPA 96, CLAUSE 4.2.1. AT LEAST 18 IN (457 MM) TO COMBUSTIBLE MATERIALS, 3 IN (76 MM) TO LIMITED-COMBUSTIBLE MATERIALS, AND 0 IN (0MM) TO NONCOMBUSTIBLE MATERIAL.

Table: Weights and Shipping Information

Weights				Carton Dimensions						Crate Size	
Shipping Weight		Installed Weight		Width		Depth		Height		Crate Size	
Pounds	kg	Pounds	kg	Inches	mm	Inches	mm	Inches	mm	Cubic Feet	Cubic Meters
1189	541	798	363	60	1524	70	1778	55.5	1410	179	5.06

THE HOOD AND ALL UNDER HOOD APPLIANCES MUST BE INSTALLED IN ACCORDANCE WITH THE STANDARD FOR VENTILATION CONTROL AND FIRE PROTECTION OF COMMERCIAL COOKING OPERATIONS NFPA 96, THE NATIONAL ELECTRIC CODE NFPA 70 AND ALL LOCAL CODES WHERE APPLICABLE. ALL UNDER HOOD APPLIANCES MUST BE INSTALLED AS PER MANUFACTURER INSTRUCTIONS AND CONTROLLED BY THE HOOD EQUIPMENT SHUTOFF INTERFACE THROUGH A CUSTOMER SUPPLIED CONTACTOR. SEE THE INSTRUCTION MANUAL FOR INTERFACE CONNECTION OPTIONS. APPLIANCES MUST MEET EQUIPMENT PARAMETERS DESCRIBED ABOVE. ONLY ELECTRICALLY HEATED APPLIANCES ARE ACCEPTABLE FOR INSTALLATION. PRIOR TO OPERATION THE FIRE SUPPRESSION SYSTEM MUST BE CHARGED AND CERTIFIED BY AN ANSUL® AUTHORIZED DISTRIBUTOR. ADEQUATE SIDE CLEARANCE MUST BE PROVIDED FOR SUPPLY CONNECTION AND SUPPRESSION MANUAL PULL ACCESS. EXHAUST IS SHIPPED FOR HORIZONTAL DISCHARGE AND FIELD CONVERTIBLE FOR VERTICAL DISCHARGE.



WELLS MANUFACTURING
265 HOBSON ST.
SMITHVILLE, TN 37166 USA

NOTE: SPECIFICATIONS SUBJECT TO CHANGE WITHOUT NOTICE.

SK2547 REV H (08-22)

M522 p/n 2M-Z23068 OpM WVU- Universal Hood

INSTALLATION (continued)

UNDER-HOOD APPLIANCE LIMITATIONS:

GENERAL LAYOUT DATA
SANITATION



NSF/ANSI 2 UL710B

MODEL WVU-48 UNIVERSAL VENTLESS HOOD SYSTEM

VOLTAGE AC 60 HZ	AMPS 1 PH.	HORSE POWER	TYPICAL AIRFLOW	MAX. GREASE EMMISSIONS	CLEARANCES TO COMBUSTIBLES	UNDER HOOD LED LIGHTING
208/240	3.5	3/4	1500 CFM	.0024 LB/HR/FT	SEE DRAWING	1500 LUMENS

UL CAT. YZCT RECIRCULATING SYSTEM FILE NO. MH48408

SPECIAL ENVIRONMENTAL NOTICE: THE HOOD SYSTEM IS DESIGNED TO REDUCE EMISSIONS BUT WILL NOT COMPLETELY ELIMINATE COOKING AROMAS. AIR EXCHANGE AT THE INSTALLATION SITE MUST COMPLY WITH REQUIREMENTS OF THE LOCAL JURISDICTIONAL AUTHORITY. A MINIMUM OF 800 CUBIC FEET OF FRESH AIR PER MINUTE INTO THE AREA IS RECOMMENDED TO ENSURE ADEQUATE DILUTION.

HOOD SYSTEM INSTALLATION – EQUIPMENT PLACEMENT REQUIREMENTS

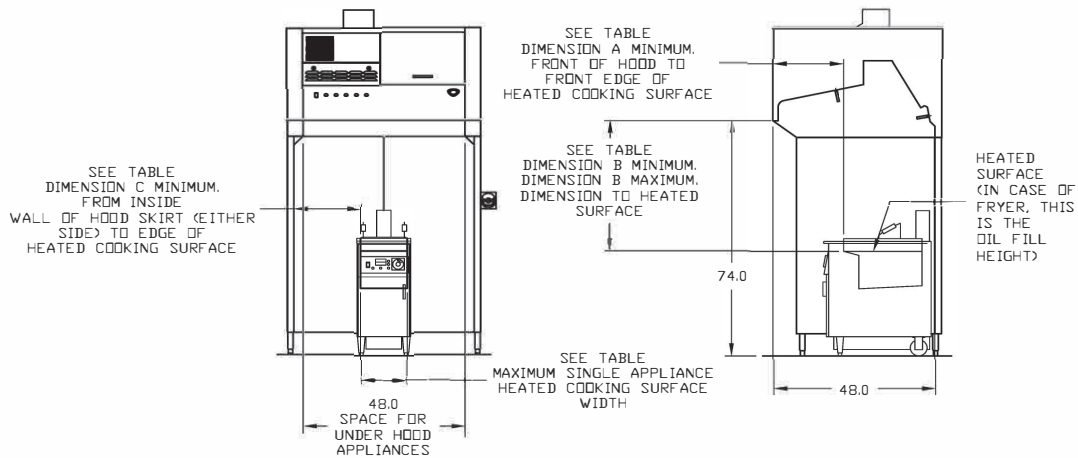


TABLE: APPLIANCE PLACEMENT REQUIREMENTS

APPLIANCE TYPE	MAXIMUM KW/FT	MAXIMUM COOKING TEMPERATURE (°F)	MAXIMUM SINGLE APPLIANCE HEATED COOKING SURFACE LENGTH (IN.)	DIMENSION A (IN.) MINIMUM	DIMENSION B (IN.) MINIMUM	DIMENSION B (IN.) MAXIMUM	DIMENSION C (IN.) MINIMUM
FRYER	16.9	400	18	24 (EDGE OF OIL)	37	42	0
GRIDDLE	5.5	450	36	21 (EDGE OF HEATED PLATE)	37	42	1
RANGE (2) / HOTPLATE	5.5	NA	48	18 (EDGE OF HEATED PLATEN)	37	42	1
WOK	7.0	NA	48	21 (EDGE OF HEATED SURFACE)	37	42	0
VERTICAL BROILER	7.0	NA	25	20 (EDGE OF HEATED SURFACE)	10	NA	0
OVEN	NA	575	48	6 (EDGE OF FRONT DOOR)	8	NA	0
BRAISING PAN / SKILLET (1)	4.5	550	48	14 (EDGE OF HEATED SURFACE)	37	42	0
CONVECTION OVEN	NA	575	48	6 (FRONT EDGE OF DOOR)	8	NA	0
STEAMER / COMBI OVEN	NA	575	48	6 (TOP EDGE OF DOOR)	20	NA	0
STEAM JACKETED KETTLE	16.9	450	48	14 (EDGE OF HEATED SURFACE)	30	42	0
SANDWICH GRILL (1)	4.5	550	36	18 (EDGE OF HEATED PLATEN)	30	42	0
CONVEYOR OVEN	4.5	NA	23	6 (EDGE OF HEATED SURFACE)	20	42	0

- (1) LID OF THE APPLIANCE MUST NOT INTERFERE WITH SUPPRESSION NOZZLE DISCHARGE PATTERN.
- (2) PLUS OVEN KW IF APPLICABLE

THE HOOD AND ALL UNDER HOOD APPLIANCES MUST BE INSTALLED IN ACCORDANCE WITH THE STANDARD FOR VENTILATION CONTROL AND FIRE PROTECTION OF COMMERCIAL COOKING OPERATIONS NFPA 96, THE NATIONAL ELECTRIC CODE NFPA 70 AND ALL LOCAL CODES WHERE APPLICABLE. ALL UNDER HOOD APPLIANCES MUST BE INSTALLED AS PER MANUFACTURER INSTRUCTIONS AND CONTROLLED BY THE HOOD EQUIPMENT SHUTOFF INTERFACE THROUGH A CUSTOMER SUPPLIED CONTACTOR. SEE THE INSTRUCTION MANUAL FOR INTERFACE CONNECTION OPTIONS. APPLIANCES MUST MEET EQUIPMENT PARAMETERS DESCRIBED ABOVE. ONLY ELECTRICALLY HEATED APPLIANCES ARE ACCEPTABLE FOR INSTALLATION. PRIOR TO OPERATION THE FIRE SUPPRESSION SYSTEM MUST BE CHARGED AND CERTIFIED BY AN ANSUL® AUTHORIZED DISTRIBUTOR. ADEQUATE SIDE CLEARANCE MUST BE PROVIDED FOR SUPPLY CONNECTION AND SUPPRESSION MANUAL PULL ACCESS. EXHAUST IS SHIPPED FOR HORIZONTAL DISCHARGE AND FIELD CONVERTIBLE FOR VERTICAL DISCHARGE.



WELLS MANUFACTURING 265
HOBSON ST. SMITHVILLE, TN
37166 USA

NOTE: SPECIFICATIONS SUBJECT TO CHANGE WITHOUT NOTICE.

SK2547 REV H (08-22)

Special instructions: Any Oven or Combi with a vertical exhaust will need a diverter or diffuser to redirect away from thermal detectors.

INSTALLATION (continued)

SERVICE TECHNICIAN INSTALLATION NOTES

This ventilator hood is to be used with light-duty and medium-duty electrically powered cooking appliances only.

- DO NOT attempt to use this ventilator hood with gas-fired units.
- DO NOT use this ventilator hood with electrical appliances whose dimensions or wattage characteristics exceed those defined in the Under Hood Cooking Appliance Limitations, pages above.

Installation and demonstration must be performed by an Authorized Installation Company.

Ansul® Installer must complete the WARRANTY INITIATION form (2M-303912) included with the unit for the warranty to begin, and record installation particulars on the CUSTOMER SERVICE DATA form located at the end of this manual.

IT IS THE RESPONSIBILITY OF THE INSTALLER TO verify that this VENTILATOR installation is in compliance with the specifications listed in this manual, with local code requirements, and in accordance with N.F.P.A 96 the STANDARD FOR VENTILATION CONTROL AND FIRE PROTECTION OF COMMERCIAL COOKING OPERATIONS.

NOTE: Certain codes require FRYERS to be restrained with a TETHER or other RESTRAINT DEVICE. If this ventilator is to be used with a fryer, it is the RESPONSIBILITY OF THE INSTALLER to check with the AUTHORITY HAVING JURISDICTION, in order to ascertain the applicability of this requirement to this specific installation .

SETUP

Setup the appliance only on a firm, level, non-combustible surface. Verify local codes for requirements. Concrete, tile, terrazzo or metal surfaces are recommended. Metal over combustible material may not meet code for non-combustible surfaces.

Verify vertical clearances. The entire ceiling (including drop ceilings) shall be no less than 108 in (274.3 cm) when utilizing horizontal (front) discharge option. The entire ceiling (including drop ceilings) shall be no less than 120 in (304.8 cm) when utilizing vertical (top) discharge option.

Verify that the unit sits firmly on ALL LEGS. With a spirit level, check that the appliance is level front-to-back and side-to-side. With the adjustable legs, adjust as required to level the appliance. In order to prevent tipping or deflection, legs must be adjusted such that all legs are in firm contact with the floor.

PROCEDURE & PARTS

TOOLS REQUIRED	TOOLS REQUIRED
RATCHET	CRESCENT WRENCH
3/4" SOCKET	2"X4"X(LENGTH OF HOOD OR MORE) WOOD BRACE
3/4" OPEN END WRENCH	#2 PHILIPS SCREWDRIVER
7/16" DEEPWELL SOCKET	FLAT HEAD SCREWDRIVER
7/16" OPEN END WRENCH	FOOD GRADE NSF APPROVED SILICONE



DANGER: SUFFOCATION HAZARD

Do not attempt to use this ventilator with gas-fired units. This ventilator will not remove products of combustion. Unvented exhaust gases can be deadly.



WARNING: SHOCK HAZARD

All servicing requiring access to non-insulated electrical components must be performed by a factory authorized technician.

DO NOT open any access panel which requires the use of tools. Failure to follow this warning can result in severe electrical shock.



CAUTION: RISK OF DAMAGE

DO NOT connect or energize this appliance until all installation instructions are read and followed. Property damage or bodily injury could result if these instructions are not followed.

IMPORTANT:

If a remote pull station is to be used, ventilator cannot be moved without first disabling the remote pull station.

Contact your Ansul® agent for details.

SUMMARY

Installing the Wells Universal Ventless Hood systems to base mounted side walls.

Plan the installation area for the hood. The following diagram includes the required clearances for the hood installation, this is regardless of the type of hood mount and equipment underneath that is to be used under the hood.

The entire ceiling (including drop ceilings) shall be no less than 108 in (274.3 cm) when utilizing horizontal (front) discharge option. The entire ceiling (including drop ceilings) shall be no less than 120 in (304.8 cm) when utilizing vertical (top) discharge option.

Wall clearances specified per NFPA 96, clause 4.2 must be maintained between the hood and combustible, limited-combustible, and noncombustible materials. For reference, these clearances are 18 in. (457mm) to combustible material, 3 in. (76 mm) to limited-combustible material, and 0 in. (0mm) to noncombustible material.

Allow 6" of clearance on the right side of the hood for installation of the remote pull station.

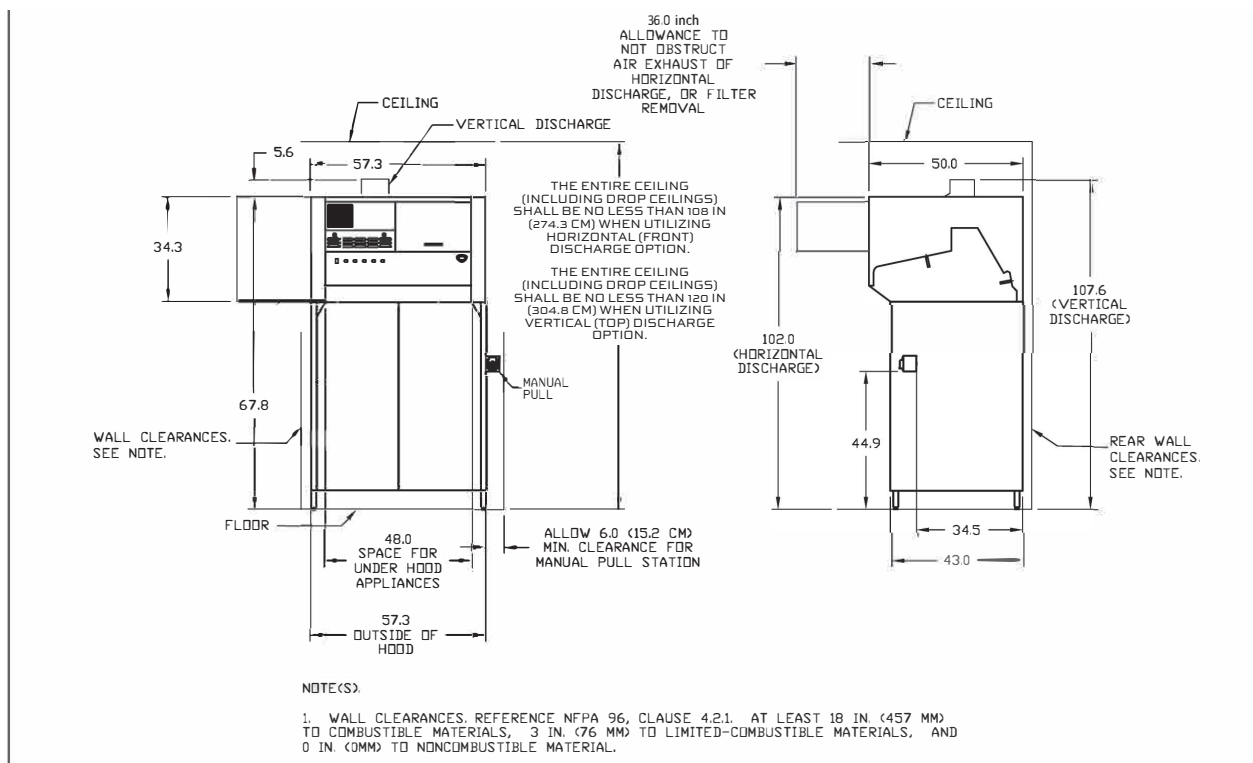


!CRITICAL!

Table: Hood weights.

Model(S)	Weight (lb. / kg)
WVU-48	798 lb. (362 kg.)

The installation will require lifting equipment to raise the hood to the installed height.

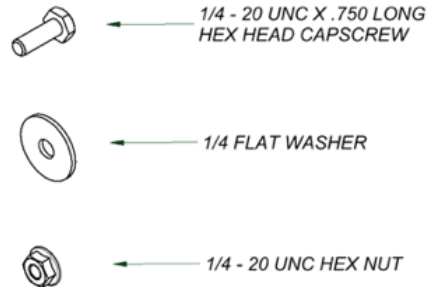


1.1 INSTALLING AND ASSEMBLING BASE MOUNTED HOOD

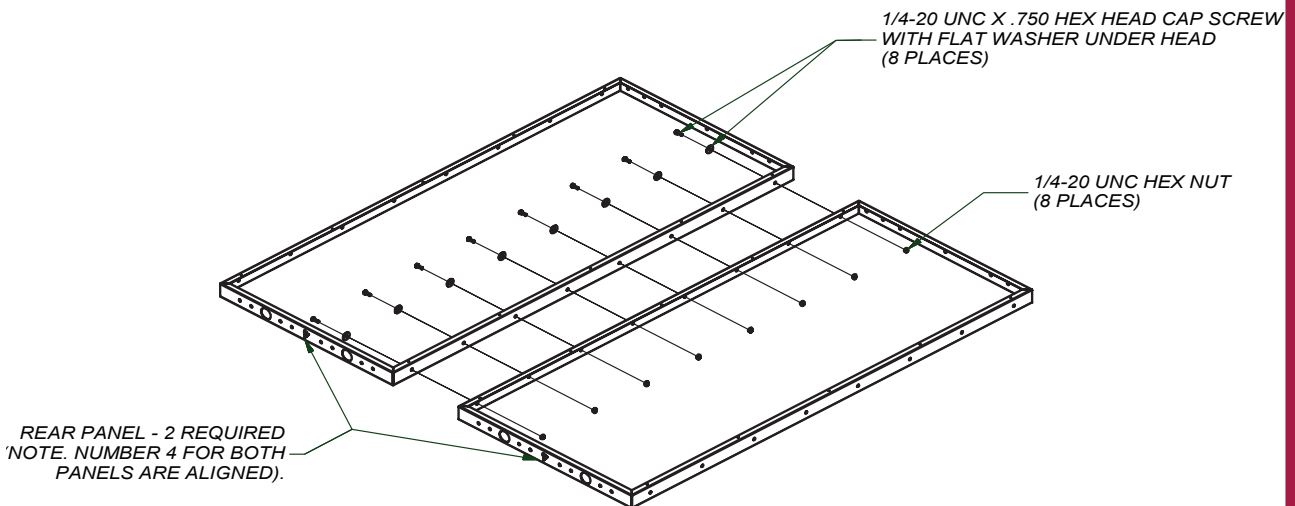
A base mounted hood will need to have the base assembled in place prior to raising the hood and installing it on to the base.

1. Uncrate the hood and all components.
2. Assemble the base in the location that the hood will be located.
3. Locate the required hardware to assemble the base. The hardware required includes 1/4-20 UNC x .75 long Hex Head Cap Screws (bolt), 1/4 Flat Washers, and 1/4-20 UNC Hex Nuts.

FASTENERS REQUIRED TO ASSEMBLE SKIRT

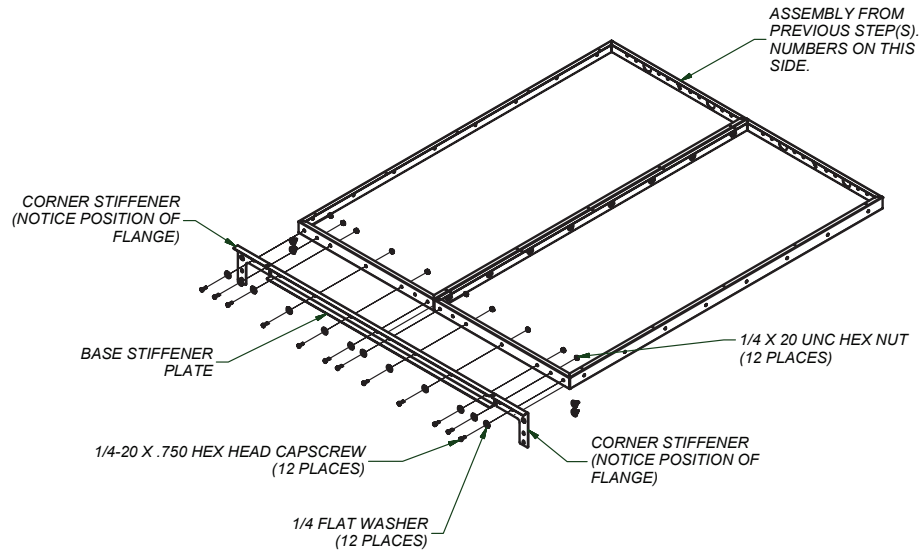


4. Use a flat, smooth, and clean floor surface, with all debris or obstructions removed to avoid damage. Align the two rear panels and secure to each other with one bolt, flat washer, and nut at each hole location (8 places).



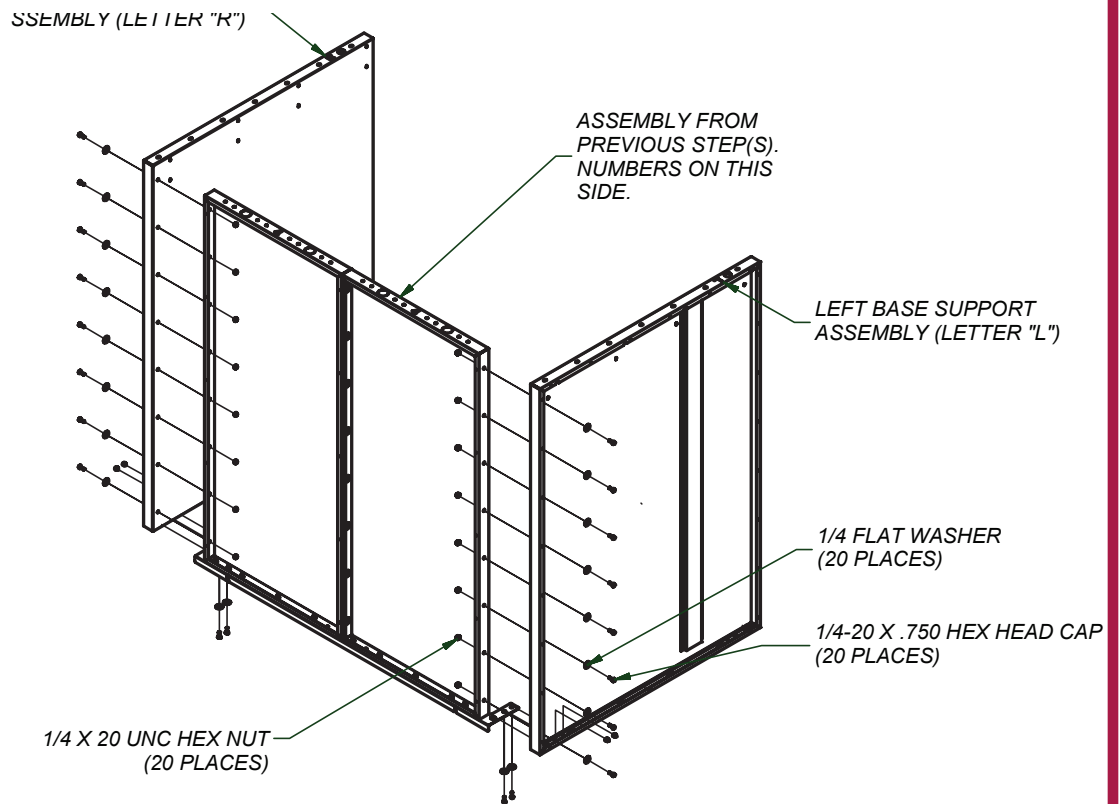
SK2964

- Place the base bottom stiffener on the bottom and secure with one bolt, flat washer, and hex nut at each hole location (8 places). Attach the corner stiffeners on each end and secure with one bolt, flat washer, and hex nut at each hole location (4 places).

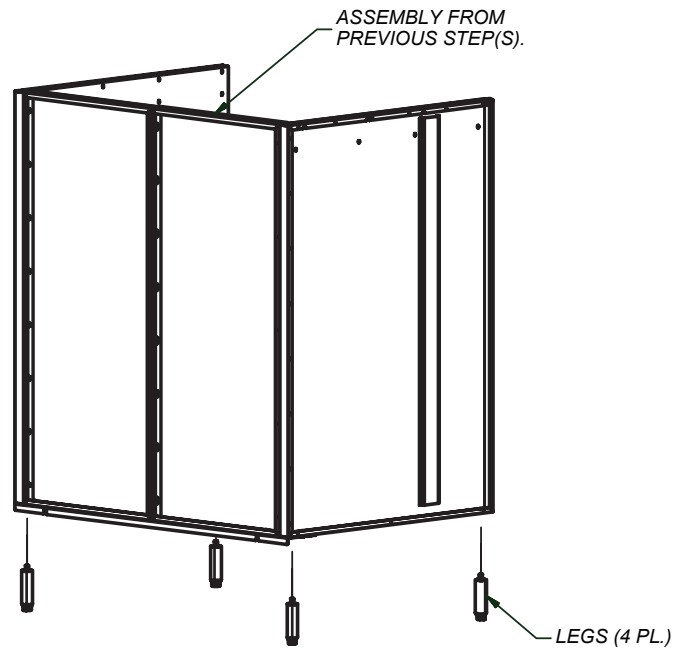


IL3121

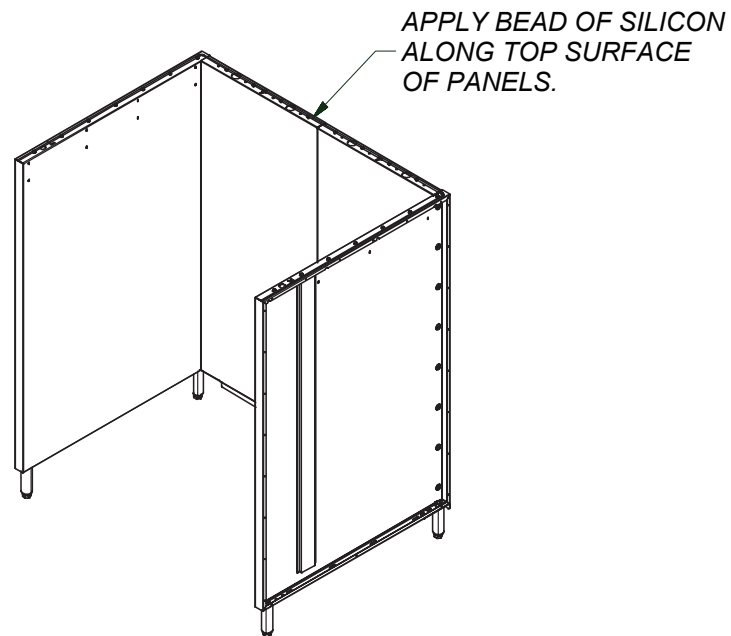
- Attach the left-side and right-side panels to the rear base panels. Secure with the bolt, flat washer, and nut at each hole location. 8 on each side plus 4 located at the corner stiffeners.



7. Attach the legs to the bottom of the base assembly. Use a level, adjust the legs until the walls are level both front to back, and side to side. Check level again after installing the hood.



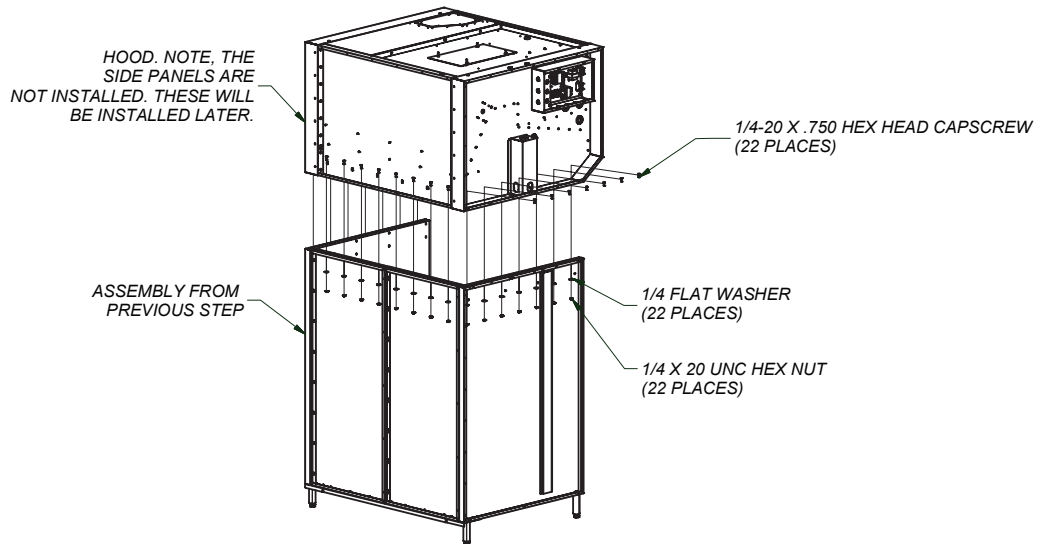
8. The hood is now ready to be placed on the top of the base. Place the base at the final location desired, and in accordance with all clearance requirements. Apply a bead of silicon along the top of the panels.



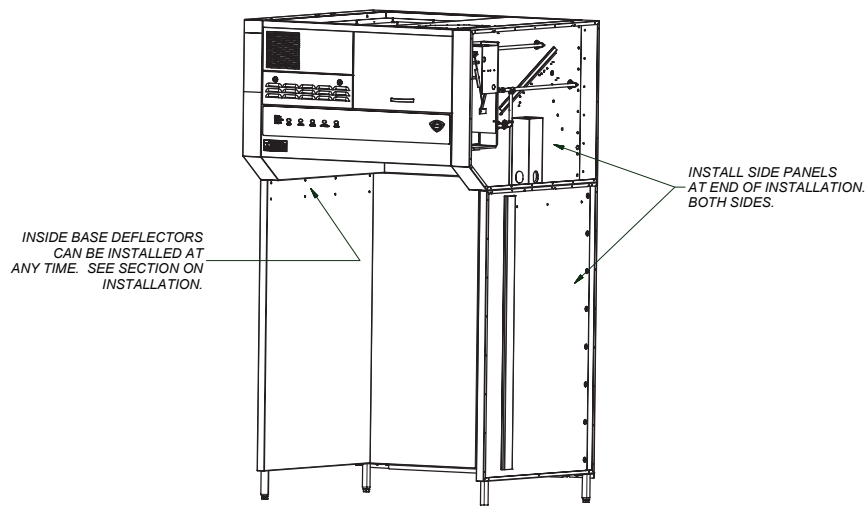


CAUTION

- The next step places the hood on to the base assembly. The hood needs to be supported by a supporting device that is acceptable to raise the hood into position.
9. Install the hood directly downward on to the base assembly, ensure the silicon makes an airtight seal. Secure with the bolt, flat washer, and nut at each hole location.



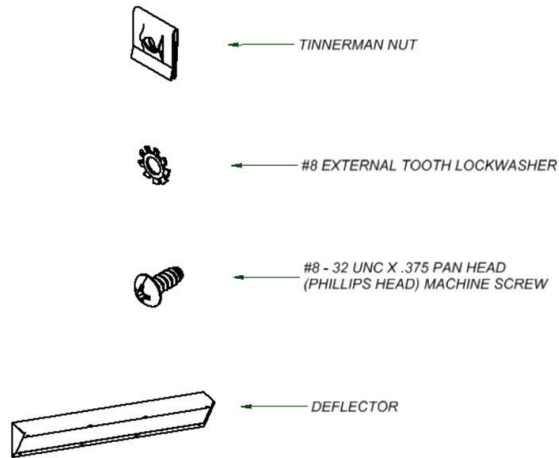
The unit is now complete and ready for electrical installation, fire extinguishing system assembly, equipment installation, and final assembly.



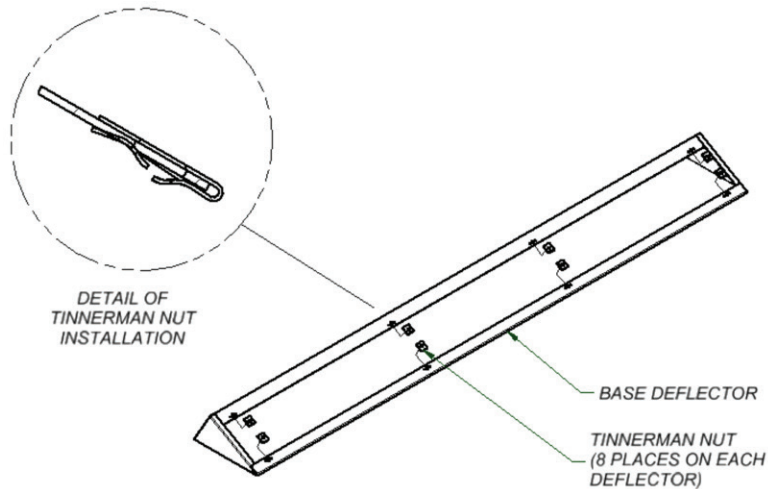
1.2 INSTALLATION OF THE BASE DEFLECTORS.

The installation of the base deflectors is the same regardless if the hood being a base mount or ceiling mount. The installation of the deflectors may be completed at any time.

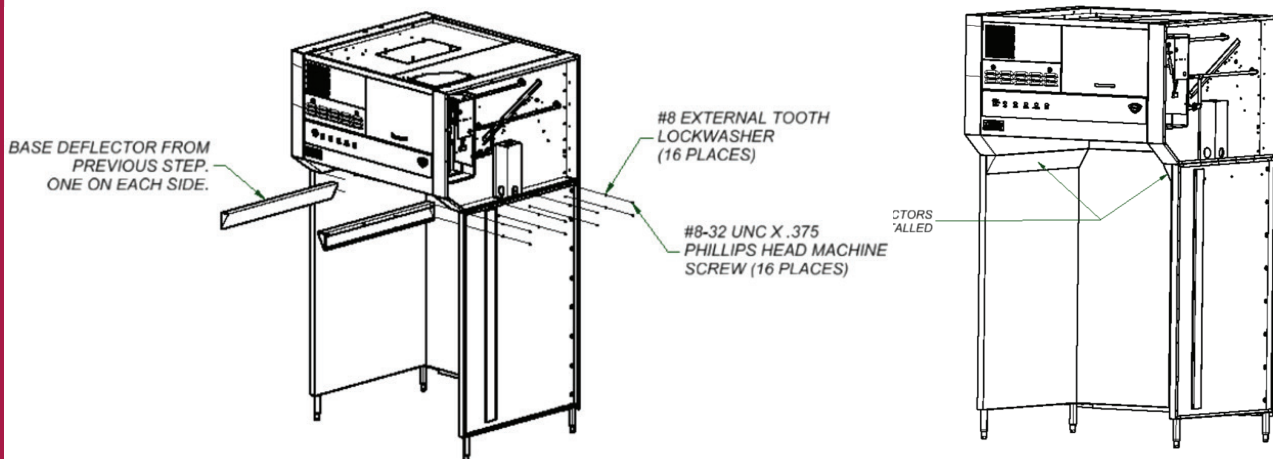
1. Locate the required hardware and deflectors to install onto the units.



2. Install the tinnerman nuts onto the deflectors.

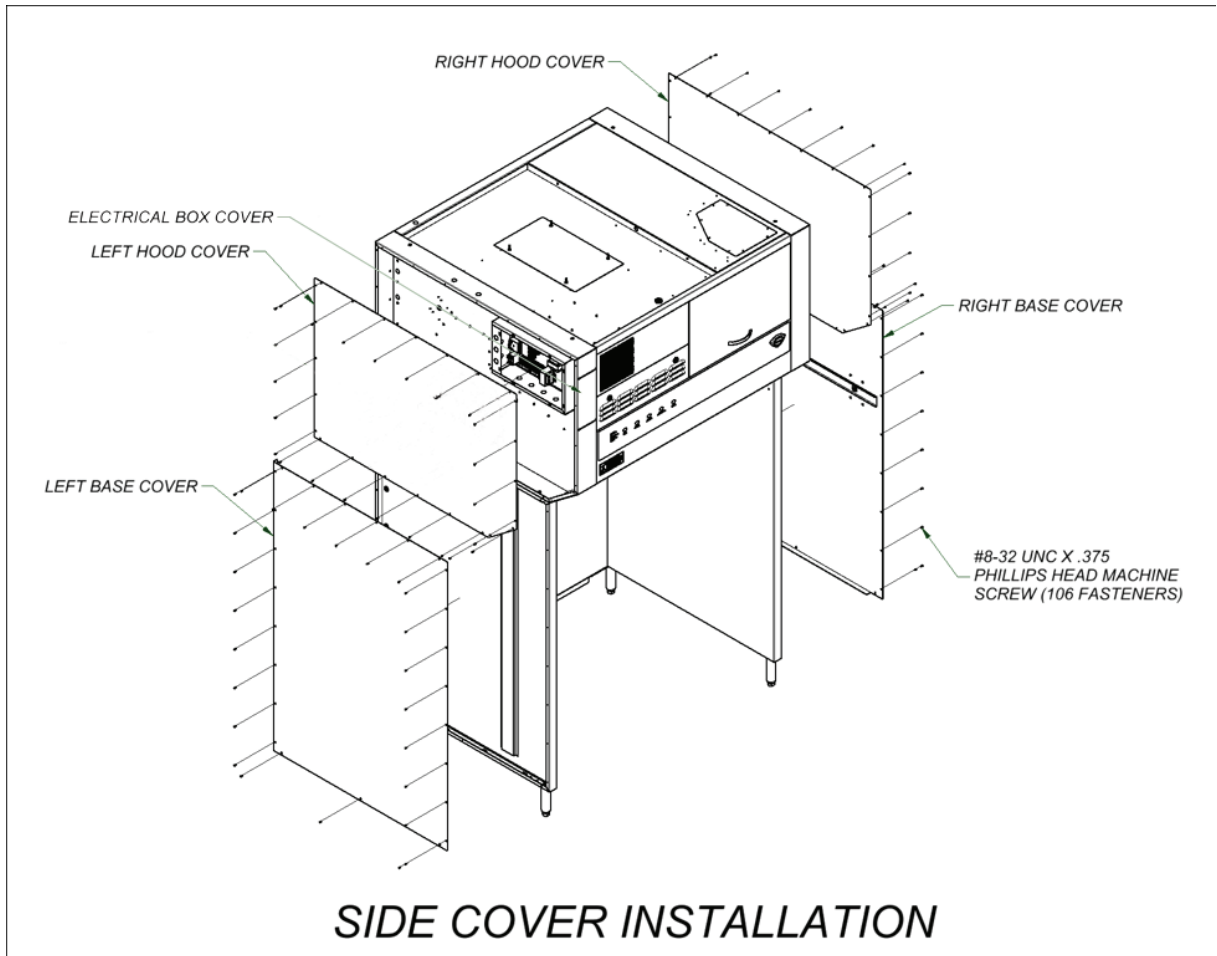


3. Install the deflectors onto the hood. A 48" base mount is shown.



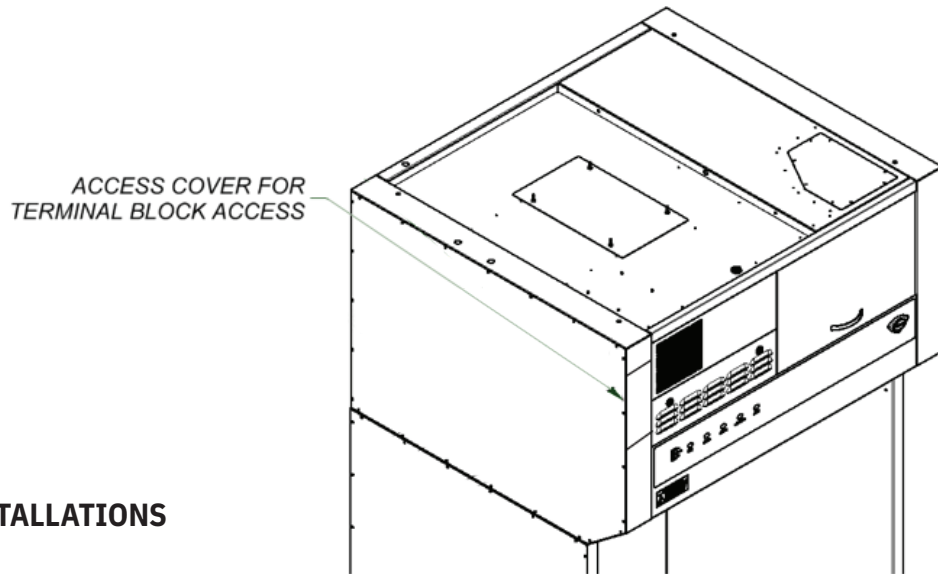
1.3 SIDE COVER INSTALLATIONS

Install the covers on the side of the hood and base. The left side also has a cover for the electrical connection box.



1.4 ACCESS TO ELECTRICAL INTERFACE

The access to the terminal block to connect the electrical interface connections is by removing the cover on the front side panel. See the electrical installation section for the wiring installation.

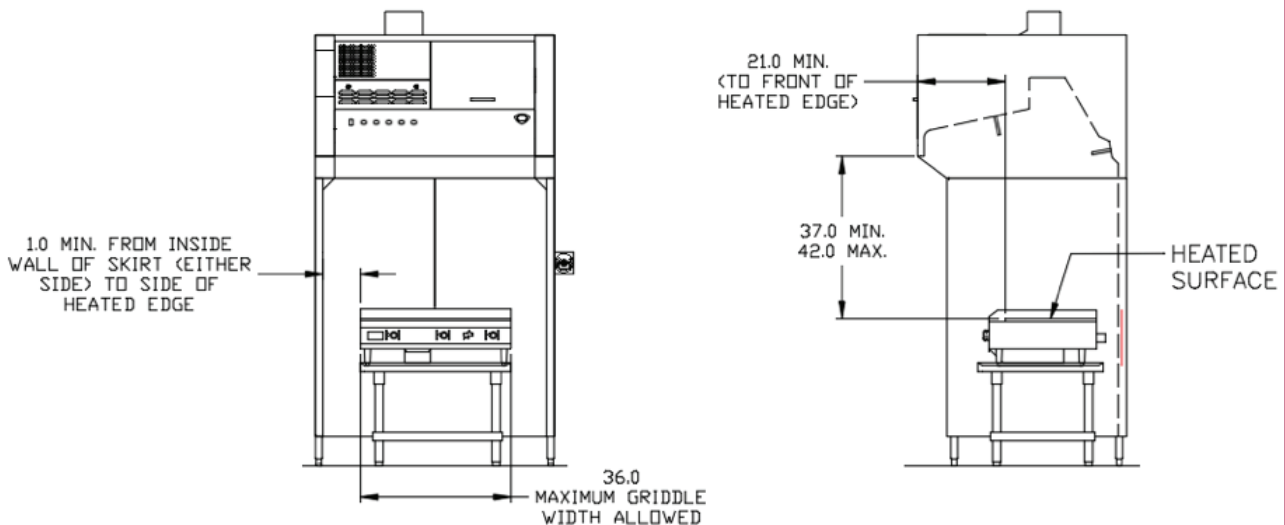


1.5 EQUIPMENT INSTALLATIONS

GRIDDLE LIMITATIONS (ELECTRICAL APPLIANCES ONLY)

Summary. Electric griddles up to 36" wide, up to 5.5 kW per linear foot of input power, and with temperature control up to 450°F (230°C) are acceptable to be used under Wells WVU hoods. These must be installed according to the requirements illustrated in figure 1. Star-max 515, 524, and 536 models, Ultra-max 724 and 736 models, Toastmaster models TMGE24 and TMGE36, and Wells models G13, G19, and G23 are all acceptable for use under a Wells Ventless Hood.

Figure 1. Electric griddle installation parameters (Star-Max 36" griddle shown under WVU-48SS)



FRYER LIMITATIONS (ELECTRICAL APPLIANCES ONLY)

Summary: Electric fryers with a heated oil pan up to 18" wide, up to 16.9 kW per linear foot of input power, and with temperature control up to 400°F (200°C) are acceptable to be used under Wells WVU hoods. These must be installed according to the requirements illustrated in figures 2 and 3. Star-max countertop models 514LL, 301HLF, 515F, 530FF and 530TF, and Wells countertop models F15, F30, F1725 and LLF14 are all acceptable for use under a Wells Ventless Hood. Wells floor models WFAE55F and WFEA55FC are all acceptable for use under a Wells Ventless Hood.

Figure 2. Electric counter top fryer installation parameters (Star-Max 530TF shown under WVU-48SS)

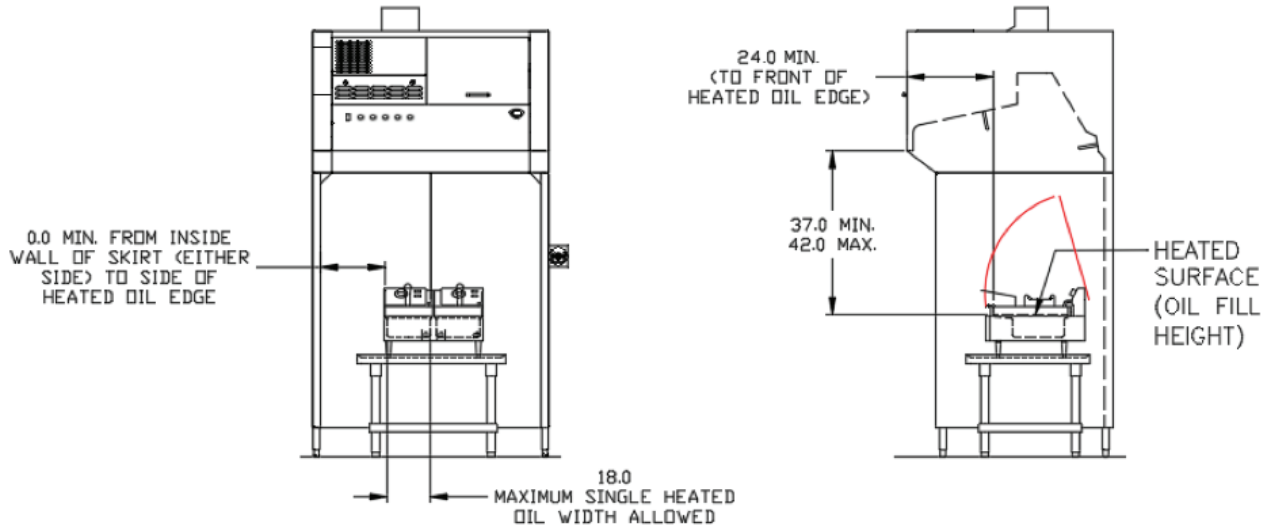
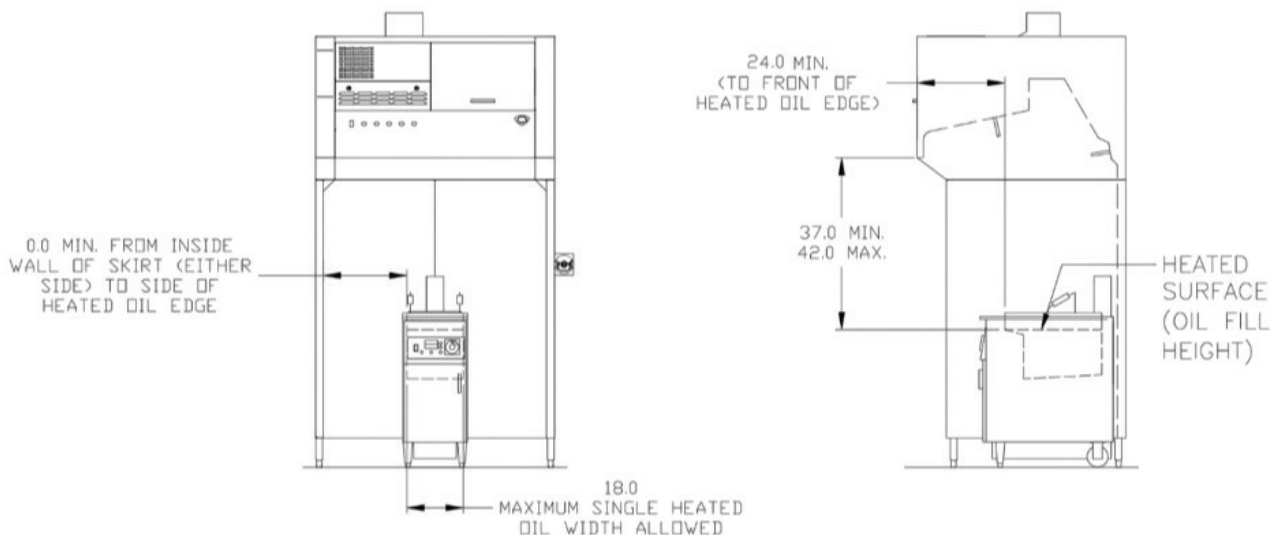


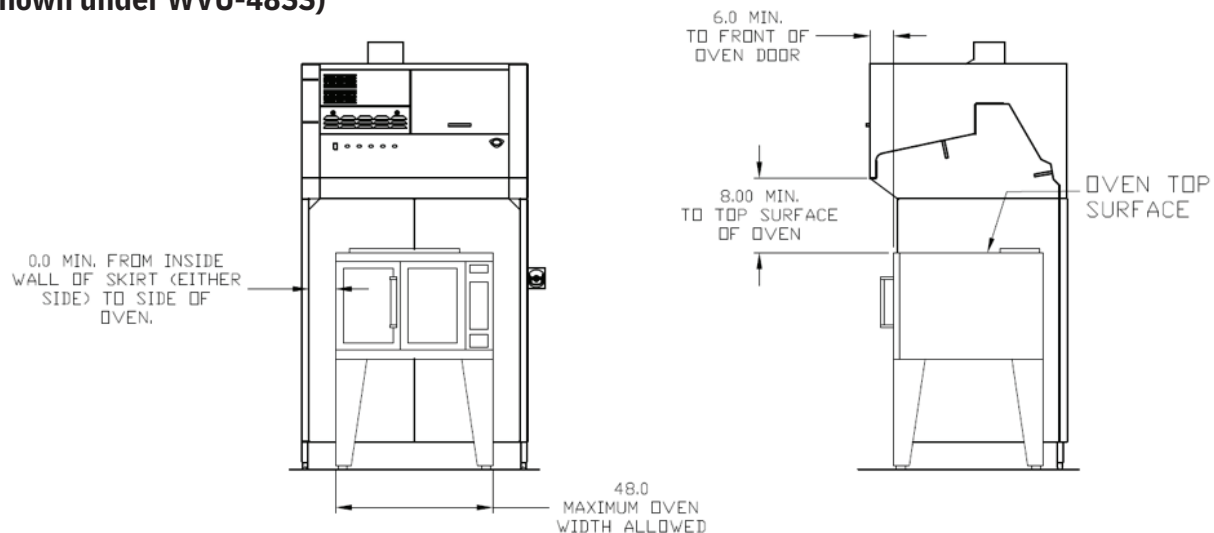
Figure 3. Electric floor model fryer installation parameters (Wells WFAE55FC shown under WVU-48SS)



OVEN LIMITATIONS (ELECTRICAL APPLIANCES ONLY)

Summary. Electric ovens up to 48" wide, and temperature control up to 575°F (300°C) are acceptable to be used under Wells WVU hoods. These must be installed according to the requirements illustrated in figures 4.

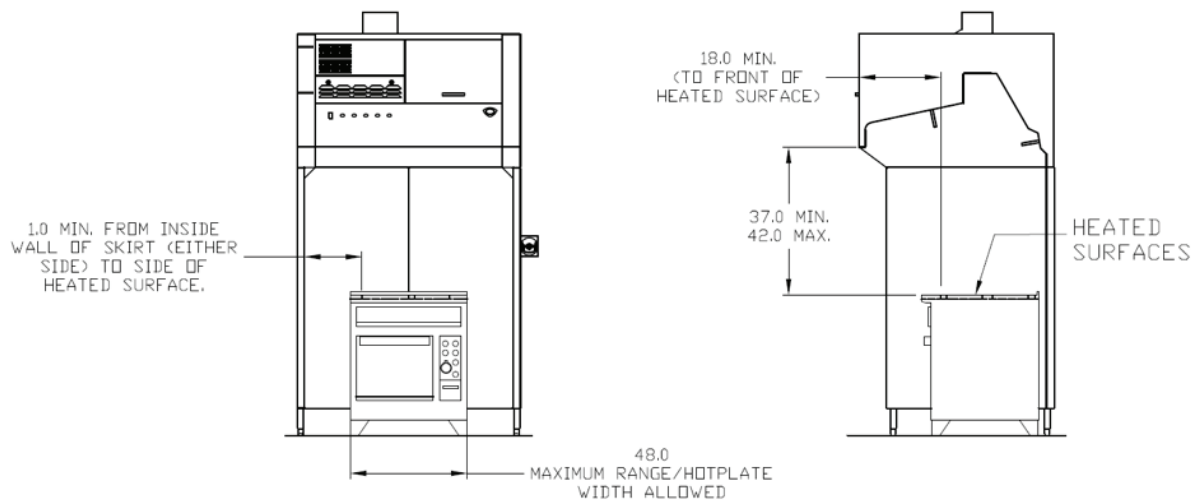
Figure 4. Electric oven installation parameters (Lang model ECOH shown under WVU-48SS)



RANGE / HOTPLATE LIMITATIONS (ELECTRICAL APPLIANCES ONLY)

Summary. Electric range tops up to 48" wide and up to 5.5 kW per linear foot of input power are acceptable to be used under Wells WVU hoods. These must be installed according to the requirements illustrated in figures 5.

Figure 5. Electric range/hotplate installation parameters (Lang model R30S-ATD shown under WVU-48SS)



INSTALLATION



DANGER: SUFFOCATION HAZARD

Do not attempt to use this ventilator with gas-fired units. This ventilator will not remove products of combustion. Unvented exhaust gases can be deadly.



WARNING SHOCK HAZARD

Electrical connections must be made by a licensed electrician.



CAUTION: FIRE HAZARD HEALTH HAZARD

All cooking appliances must be connected to the cooking appliance contactor, the control circuit of which is controlled by the ventilator.

Note: Shunt trip breakers are not an authorized control circuit. All appliances must be installed per the under hood limitations.

ELECTRICAL INSTALLATION

Refer to the nameplate on the ventilator. Verify ELECTRICAL SERVICE POWER. Voltage and phase must match the nameplate specifications, and available electrical service amperage must meet or exceed the listed amperage. Refer to specifications listed on page 1 of this manual.

The ground lug of this ventilator must be connected to a suitable building ground.

Open the front access panel to access the terminal block and building alarm relay. Remove the appropriate knockout, then wire the cooking appliance control circuit to the terminal block per Fig below.

NOTE: It is the responsibility of the electrical contractor to provide suitable wiring, flexible or rigid conduit, contactors, and an appropriate strain relief.

Electrical Connection

NOTE: The hood requires a single phase (1ph), 208 or 240 volt, 20 amp supply at 60 Hz. When connecting line voltage to the unit's terminal block, use a minimum of #12 gage copper wire only, suitable for 167°F (76°C) ambient temperature.

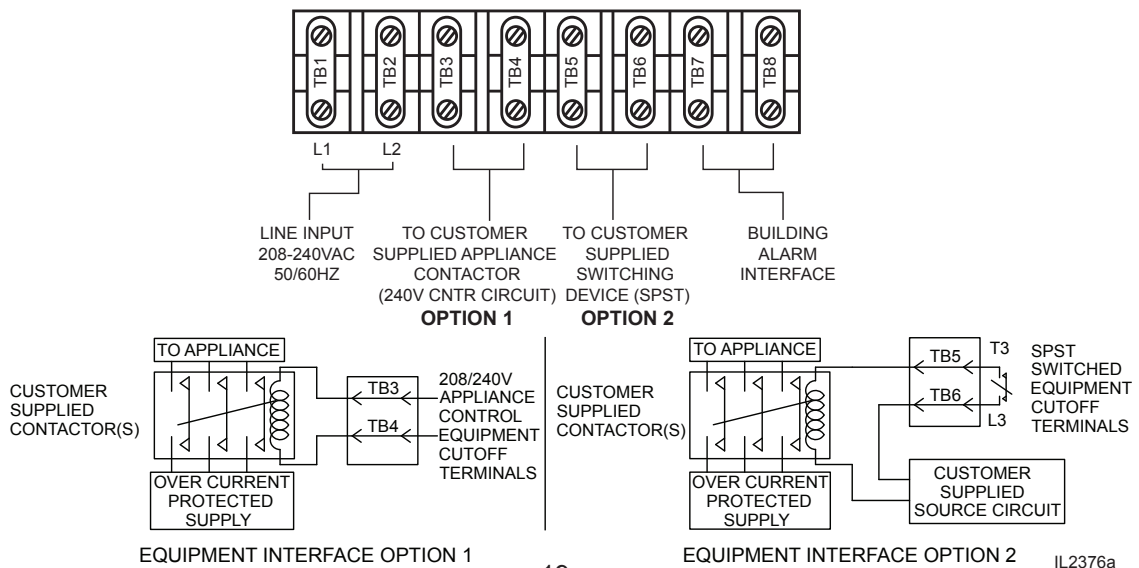
Appliance Connections

All under hood appliances are required to be interlocked with the hood's equipment cut-off circuit, through a **customer supplied contactor**. **Shunt trip breakers are not authorized.** This contactor must be a UL listed, definite purpose AC resistive air heating type, suitable for the appliance load. Installation and connections shall be in accordance with the National Electric Code NFPA 70. These connections provide an automatic shutdown of the appliance when the hood is OFF, or in the event of a malfunction or appliance fire.

Equipment Cutoff Connections

Opt 1: Use TB#3 & TB#4 for 208 or 240 volt control circuit. These contacts will be de-energized when the hood is OFF or in the event of a malfunction

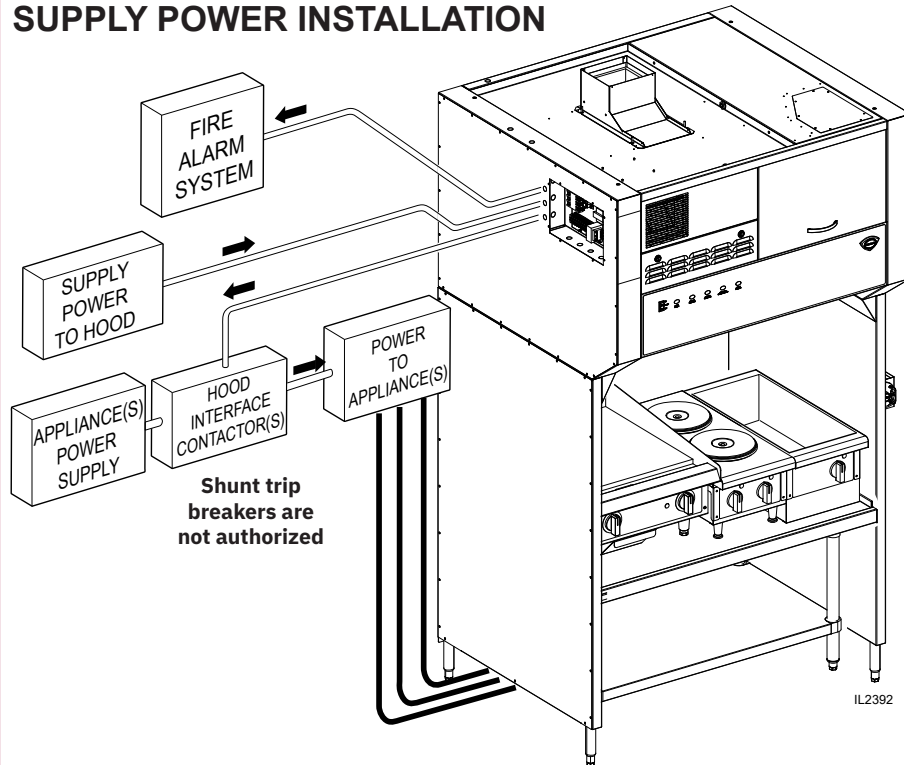
Opt 2: Use TB#5 & TB#6 as a Normally Closed SPST relay connection for equipment control circuits with voltages other than 208 or 240 AC. These contacts will be



INSTALLATION continued

open when hood is OFF or in the event of a malfunction.

SUPPLY POWER INSTALLATION



DANGER: **SHOCK HAZARD**

Turn power off to the unit before removing the side electrical box cover.



CAUTION: **SHOCK HAZARD**

The ground lug of this appliance must be connected to a suitable building ground.

IMPORTANT:

Contact a licensed electrician to install and connect electrical power to the appliance.

IMPORTANT:

Damage due to being connected to the wrong voltage or phase is NOT covered by warranty.



CAUTION: **FIRE HAZARD** **HEALTH HAZARD**

Failure to control cooking appliances will provide no protection in the event of a fire, nor will cooking vapors and odors be contained in the event of ventilator hood malfunction.

Any steam or heat exhaust must be diverted away from the thermal detectors.

INSTALLATION continued



DANGER FIRE HAZARD

Fire suppression system must be charged and certified by an authorized Ansul® distributor.

DO NOT attempt to modify or bypass the fire suppression system.

An uncontrolled fire can cause serious injury or death.

NOTE:

Ansul Deployments are not covered under warranty. Technical service needs to be contacted immediately and a deployment kit of parts needs to be replaced before unit is put back in service. If the fire suppression system is discharged, a buzzer will sound continuously. The unit will remain inoperable until the fire suppression system is serviced, recharged and reset by an authorized Ansul® distributor. Charging of the Ansul® Fire Suppression system must be in accordance with Ansul® Design, Installation, Recharge and Maintenance Manual, #418087.

NOTE:

If a REMOTE MANUAL PULL STATION is installed, moving the ventilator for any reason may cause the Ansul® system to discharge.

IMPORTANT:

Should the fire suppression system discharge: all nozzles must be replaced, and all lines thoroughly cleaned, prior to recharging the system. Residual fire suppression media may compromise the flow and dispersion of fire suppression media in any subsequent activation.

The alarm relay is activated by the Ansul® fire detection system. If the installation includes a building alarm system, connect to terminals T7 & T8 of the terminal block in supply connection box. These terminals are configured from the factory for normally open operation.

The ventilator will operate properly, and the appliance control relay will be energized, only when:

1. The VENTILATOR POWER SWITCH is "ON".
2. The Ansul® Fire Suppression System is charged and armed.
3. All filters are in position and serviceable, and the ventilator air flow system is satisfied.

FIRE SUPPRESSION SYSTEM INSTALLATION

EACH 4' FOOT SECTION OF THE FIRE SUPPRESSION SYSTEM is comprised of two containers of Ansulex® Low pH liquid fire suppression media and a system pressurization canister, plus associated plumbing. Actuation controls are contained in the Automan enclosure.

The hood is supplied with a field installed MANUAL PULL STATION, which must be set-up at the time of installation by an authorized Ansul® distributor.

The MANUAL PULL STATION allows for manual emergency shutdown of cooking appliance power, and actuation of the fire suppression system.

Six (*WVU48*) NOZZLES disperse the fire suppression media. Two inner nozzles protect the fan and plenum.

The appliance nozzles are swivel mounted, and must be directed toward the cooking surface of the installed cooking appliance.

If the ventilator is situated such that the supplied manual pull station cannot be installed or is not readily accessible, a REMOTE MANUAL PULL STATION may be required by local codes. Any such remote manual pull station must be installed by an authorized Ansul® distributor in accordance with the AUTHORITY HAVING JURISDICTION.

The fire detection system utilizes six (*WVU48*) electronic thermal detectors with an actuation set point of 325°F (163°C) in the upper hood locations and 325°F (163°C) detectors in the lower wall locations. The signaling from any of these detection devices will automatically discharge the fire suppression media through all nozzles, disable the cooking appliances and cause the alarm to sound.

Fire suppression media will form an emulsion designed to both smother and cool the fuels in/on the cooking appliance.

Ansul® Deployments are not covered under warranty. Technical service needs to be contacted immediately and a deployment kit of parts needs to be replaced before unit is put back in service. Any Ansul® media must be thoroughly cleaned from every area of the unit before it can be put back into service.

Wells Manufacturing Technical Service Dept.

Phone: (800) 264-7827 Service Parts Department can supply you with the name and telephone number of the WELLS authorized service agency nearest you.

INSTALLATION

FIRE SUPPRESSION SYSTEM INSTALLATION (continued)

The MANUAL PULL STATION and any similar REMOTE MANUAL PULL STATION will activate the fire suppression system when the ring on the pull station is pulled to its full extent.



**DANGER
BURN HAZARD**

Any additional remote pull station must **NOT** be installed on the front of the cooking appliances,

Discharge of the fire extinguishing system into hot grease or oil may cause hot foam to spill over from the cooking surface or fry pot.

Serious burns and other injuries can result from contact with hot oil and from slipping in spilled oil.

The manual pull station is installed on the right side (facing the unit). It may, however, be relocated to the left side of the ventilator hood by an authorized Ansul® agent.

INSTALLATION

NOTE:

The BAFFLE FILTERS, PRE-FILTERS and FILTER PACK actuate position switches when they are properly positioned. They must be properly installed for the under hood cooking appliance contactor to be energized.



WARNING SLIP AND FALL HAZARD

DO NOT operate any grease-producing cooking appliance

(e.g. fryer or griddle) unless the grease cup is properly installed. Oil will drip onto floor creating a slipping hazard.



CAUTION BURN HAZARD

DO NOT operate any cooking appliance unless the grease cup is installed.

Moisture dripping onto hot surfaces, oil or grease can cause splattering.

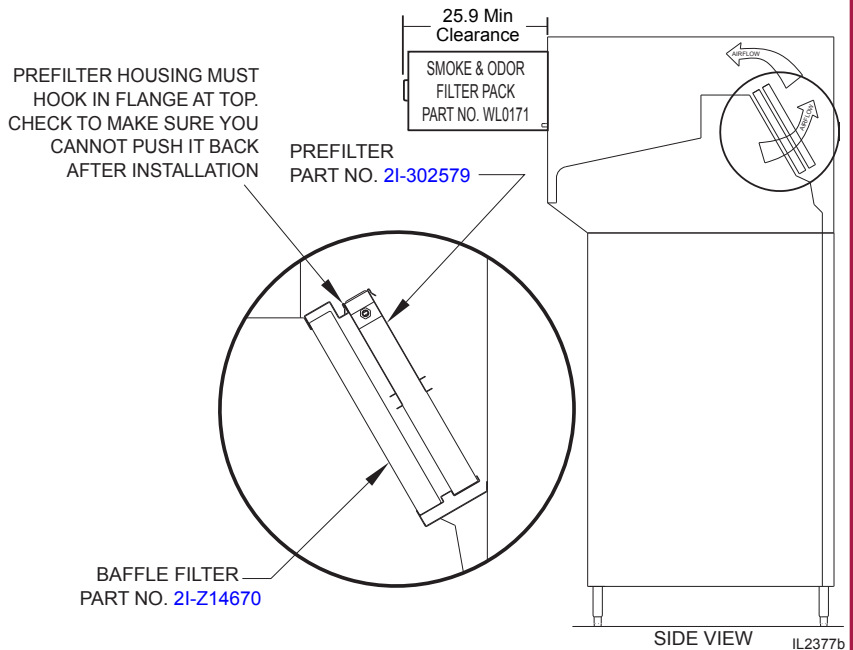
WARNING!

Do not add moisture during cooking.

Note: Adding moisture during the cooking process may cause the prefilter to lose structural integrity.

FILTER INSTALLATION

Note air flow direction arrow on filter pack. Remove old filter pack and slide new filter pack fully into the appropriate slot. Verify that the airflow arrow points toward the fan.



Baffle filters are reusable and should be cleaned at least weekly. Change pre-filters and filter pack as indicated on the front panel. These filters are disposable and cannot be reused. The filter pack is accessed through the front service door.

Pre-filters are located behind the baffle filters, when installing pre-filters engage top retaining flange prior to seating pre-filter housing in lower chamber.

Use only genuine Wells replacement parts and filters, call (800) 264-7827 your authorized Wells service agent or our authorized parts supplier Partstown. Parts supplied by others will void your warranty and may not provide safe operation.

BAFFLE FILTER and GREASE CUP INSTALLATION

1. Install baffle filter from front. Engage the baffle filter in the retainer slot. Push up until the baffle filter bottom clears the lower lip of the retainer, then lower the baffle filter into the bottom retainer
2. Install GREASE CUP into brackets below the baffle filter.

Note: Failure to install the GREASE CUP will allow grease and moisture from the BAFFLE FILTER to drop into hot cooking surfaces, creating both a SAFETY HAZARD (hot oil splatter) and a HEALTH HAZARD (contamination of the cooking surface or cooking oil).

OPERATION

Control Panel



NOTE: Cooking appliances must be operated in accordance with the manufacturer's instructions.

During normal operation, the illuminated power switch will be the only light on the control panel that will be ON.

If the CHECK FILTERS light illuminates, check BAFFLE FILTERS, PREFILTERS, and the FILTER PACK for proper installation.

If the REPLACE PRE-FILTERS light illuminates .. Replace the Pre-filters.

If the REPLACE FILTER light illuminates, replace the FILTER PACK.

NOTE: the REPLACE FILTERS light is a warning that filter pack is nearing the end of its service life. The ventilator will continue to operate for a period of time after the REPLACE FILTER LIGHT turns ON to allow continued operation through a peak period. However, filter pack must be replaced within a short time period or it will clog, disabling the ventilator and appliances.

If the SERVICE REQUIRED light illuminates, the filter pack is restricted to the point of insufficient airflow for proper operation and the Ventilator will shut down until the underlying clogged filter situation has been corrected. Replace clogged item with a fresh filter to correct the condition. Reset the unit by turning VENTILATOR POWER SWITCH to OFF, then back to ON.

If the air curtain service required lights illuminate, there is insufficient airflow for proper operation. Call an authorized Wells Service Agent.

A failure of incoming electric power will cause a shut down of the unit. Reset the unit by turning VENTILATOR POWER SWITCH to OFF, then back to ON.

Operation Lights

There are three (WVU48) that provide illumination of the working area. These lights are controlled by the main power switch.



CAUTION: HOT SURFACE

Exposed surfaces can be hot to the touch and may cause burns.



CAUTION: SHOCK HAZARD

DO NOT splash or pour water or grease onto control panel or wiring.

IMPORTANT:

The ventilator cannot operate if the filter pack is removed or clogged.

It is the responsibility of the store management to maintain sufficient spares of filter packs to avoid prolonged shutdown of the ventilator when this filter is expended.

Filter packs cannot be cleaned.

Wells Manufacturing assumes no liability for loss of business due to filter related shutdown.

Filters that are not genuine Wells Replacement Parts may cause your unit to operate incorrectly and you will risk the possibility of voiding your warranty.

CLEANING INSTRUCTIONS



CAUTION: HOT SURFACE

Exposed surfaces can be hot to the touch and may cause burns. Allow unit to cool before cleaning.



CAUTION: SHOCK HAZARD

DO NOT splash or pour water or grease onto control panel or wiring.



DANGER FIRE HAZARD

DO NOT clean heated surfaces with water, or Ansul® system may activate due to sudden rise in temperature change, causing the fire suppression system to deploy.

PRECAUTIONS: Disconnect unit from electric power and allow appliances to cool
Cover fry pot to prevent oil contamination

FREQUENCY: Daily

TOOLS: Mild detergent, clean non-abrasive towels, 3M Scotch brite for griddles

NOTE: Ventilator section to be cleaned in conjunction with cooking appliance. Refer to appliance user instructions for cleaning procedure. **DO NOT** use water on any heated surface during cleaning.

1. TURN HOOD POWER SWITCH TO OFF.
Cover cooking appliance to prevent oil contamination.
2. Remove BAFFLE FILTERS and GREASE CUP(s).
3. Empty GREASE CUP(s) into an appropriate grease collection receptacle.
4. Clean BAFFLE FILTERS and GREASE CUP(s) in a sink or dishwasher using mild detergent and warm water.
5. Dry components with a clean non-abrasive cloth. Reinstall BAFFLE FILTERS and GREASE CUP(s) in ventilator.
6. Wipe exterior of ventilator with a clean cloth moistened with warm water and mild detergent. Rinse by wiping with a clean cloth moistened with warm water.
7. Uncover the cooking appliance and reconnect unit to electric power.

Procedure is complete

CLEANING INSTRUCTIONS

PRECAUTIONS: Disconnect unit from electric power and allow appliances to cool
Cover cooking surfaces and fry pots to prevent contamination.

FREQUENCY: Monthly

TOOLS: Mild detergent, clean non-abrasive towels, 3M Scotch brite for griddles

NOTE: Ventilator section to be cleaned in conjunction with cooking appliance. Refer to appliance user instructions for cleaning procedure.

DO NOT use water on any heated surface during cleaning.

1. TURN HOOD POWER SWITCH TO OFF.
Cover cooking appliance to prevent oil contamination.
2. Remove BAFFLE FILTERS, GREASE CUP(s), and all FILTER PACK(s).
3. Wipe interior of ventilator with a clean cloth moistened with warm water and mild detergent. Rinse by wiping with a clean cloth moistened with warm water. DO NOT clean by spraying.
4. Dry ventilator thoroughly with a clean non-abrasive cloth.
Reinstall all FILTERS, BAFFLE FILTERS, GREASE CUP(s).
5. Uncover the cooking appliance and reconnect unit to electric power.

Procedure is complete



CAUTION: HOT SURFACE

Exposed surfaces can be hot to the touch and may cause burns. Allow unit to cool before cleaning.



CAUTION: SHOCK HAZARD

DO NOT splash or pour water or grease onto control panel or wiring.



DANGER FIRE HAZARD

DO NOT clean heated surfaces with water, or Ansul® system may activate due to sudden rise in temperature change, causing the fire suppression system to deploy.

IMPORTANT:

DO NOT wash FILTER PACK. Washing these filters will clog them, and cause installed cooking appliance to be disabled.

IMPORTANT:

DO NOT clean interior of ventilator by spraying.

Spraying can contaminate the cooking appliance, and may cause internal damage to the ventilator blower, operation proofing system and/or fire suppression system.

Clean by wiping only.

MAINTENANCE: DISCHARGE DIRECTION CHANGE

Procedure for changing the discharge on a WVU-48

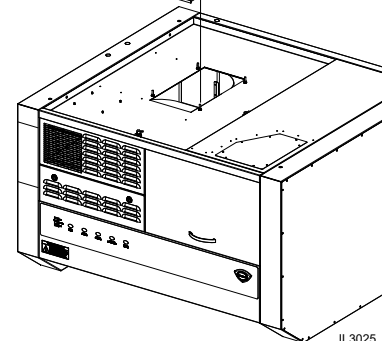
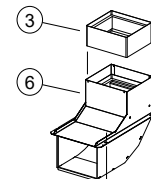
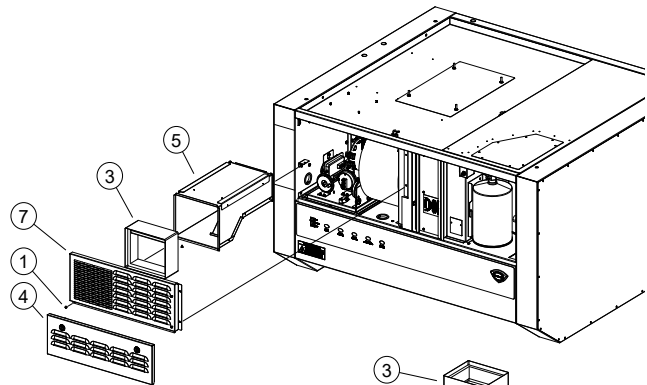
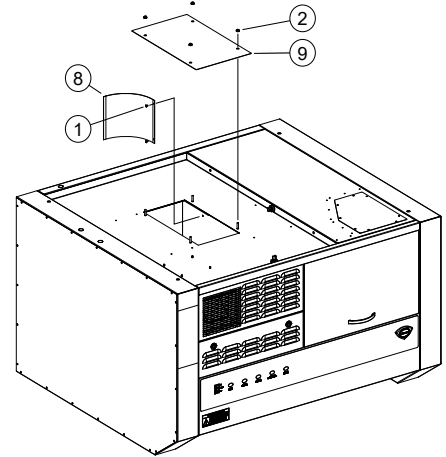
PARTS LIST			
Fig No	Part No	Description	Qty
1	2C-35487	SCREW 8-32 X 5/16 PH TR HD	AR
2	2C-6517	1/4-20 FLANGED HEX SHAKEPROOF LOCK NUT	AR
3	2V-307913	DAMPER FIRE 8X9	1
4	N1-WL0167	ACCESS DOOR ASSY. ELEC COMPARTMENT	1
5	N1-WL0172	FRONT DUCTWORK ASSEMBLY	1
6	N1-WL0244	TOP DISCHARGE SCOOP ASSEMBLY	1
7	N1-Z14097	FRONT DISCHARGE VENT PANEL	1
8	N1-Z14100	DISCHARGE CURVE	1
9	N1-Z14139	BLOCK-OFF PLATE, TOP DISCHARGE	1

Horizontal to Vertical: (min 120" ceiling height)

1. Remove the Front Access Door (Item 4) by turning the slotted screws ¼ turn and lift out the panel.
2. Remove the Front Discharge Vent Panel (Item 7) by removing the mounting screws.
3. Remove the damper (Item 3).
4. Re-install the Front Access Door and Front Discharge Vent Panel.
5. Remove the Top Discharge Block-Off plate (item 9) by removing the four mounting nuts.
6. Remove the Discharge Curve (Item 8) by removing the two 8-32 screws (Item 1) securing the curve and slide the curve out of the bracket.
7. Install the Vertical discharge assembly (Item 6) and secure with four ¼-20 nuts.
8. Install the damper (Item 3) into the top of the Vertical discharge assembly (Item 6).

Vertical to Horizontal: (min 108" ceiling height)

1. Remove the damper (Item 3) from the vertical discharge housing (Item 6).
2. Remove the four nuts that secure the Vertical discharge housing (Item 6) to the top panel of the hood.
3. Remove the vertical discharge housing.
4. Insert the discharge curve (Item 8) into the duct as shown. Slide one end of the curve into the bracket located on the rear wall of the duct and secure the front end of the curve with two 8-32 x 5/16 screws (Item 1).
5. Install the block-off plate (Item 9) and secure with four ½-20 nuts.
6. Remove the Front discharge vent panel (Item 7) and access door (Item 4).
7. Install the damper (Item 3) into the front ductwork assembly (Item 5).
 - a. Note the required orientation of the damper as noted on the damper.
8. Re-install the front discharge vent panel and access door.



IL3025

REQUIRED MAINTENANCE

IMPORTANT:

Per NFPS 96, a signed and dated VENTILATOR HOOD MAINTENANCE LOG must be maintained on the premises, and be made available for inspection by the authority having jurisdiction upon request.

IMPORTANT:

Should the fire suppression system discharge, contact the technical service team: (800)-264-7827 All lines and nozzles must be thoroughly cleaned prior to recharging the system. Ansul Deployments are not covered under warranty. technical service needs to be contacted immediately and a deployment kit of parts needs to be replaced before unit is put back in service. [WS-WL0964](#) Deplymnt kit, WVU48.

Be sure to note such cleaning on the hood maintenance log. Residual fire suppression media may compromise the flow and dispersion of fire suppression media in any subsequent activation.

USE AND MAINTENANCE SHALL BE IN ACCORDANCE WITH THE STANDARD FOR VENTILATION CONTROL AND FIRE PROTECTION OF COMMERCIAL COOKING OPERATIONS, N.F.P.A. 96 (current edition).

3-MONTH MAINTENANCE:

Thoroughly clean entire HOOD PLENUM and BLOWER section.

6-MONTH MAINTENANCE:

Inspection and testing of total operation including FIRE DAMPER and all SAFETY INTERLOCKS shall be performed by qualified service personnel.

All FIRE SUPPRESSION SYSTEM actuation components including MANUAL PULL STATION and any REMOTE MANUAL PULL STATION must be inspected for proper operation in accordance with the maintenance schedule published in ANSUL® R-102 SYSTEM DESIGN, INSTALLATION, RECHARGE AND MAINTENANCE MANUAL (418087).

ANNUAL (12-MONTH) MAINTENANCE:

NOZZLES and MANUAL PULL STATION must be cleaned in accordance with ANSUL® R-102 SYSTEM DESIGN, INSTALLATION, RECHARGE AND MAINTENANCE MANUAL (418087).

12-YEAR MAINTENANCE:

The FIRE SUPPRESSION AGENT TANK must be HYDROSTATICALLY TESTED, and the FIRE EXTINGUISHING AGENT must be REPLACED in accordance with the maintenance schedule published in ANSUL® R-102 SYSTEM (STANDARD UL 300 LISTED). This maintenance to be performed by qualified Ansul® service personnel only.

Inspection shall be conducted on a monthly basis in accordance with the manufacturer's Operation Manual. At a minimum, this inspection shall include verification of the following:

WELLS BLOOMFIELD, LLC
VENTILATOR HOOD OWNERS MONTHLY INSPECTION LOG

OPERATION	AGENT DATE												
Extinguishing system components: In proper place and (visually in good order													
Manual pull station actuators for fire suppression system are obstructed													
The maintenance log is in place and up to date													
No obvious physical damage or condition exists that might prevent operation of the fire suppression system													
The nozzle blow-off caps are in place and in good condition													
The hood, duct and protection cooking appliance have not been replaced, modified or relocated													
Clean plenum GREASE BAFFLE and BLOWER (max. interval: 3 months)													
Change PRE-FILTER and FILTER PACK (as required)													

This MAINTENANCE LOG is to be performed and completed by a trained technician who has completed the instruction necessary to perform the maintenance and recharge service.

WELLS BLOOMFIELD, LLC
VENTILATOR HOOD MAINTENANCE LOG

OPERATION		AGENT / DATE																				
Clean and inspect discharge nozzle in plenum BEFORE filters MAX. interval: 6 months																						
Clean and inspect discharge nozzle in plenum AFTER filters MAX. interval: 6 months																						
Inspect fire suppression detectors, all releasing devices for actuation, fire suppressant tank liquid level Max interval: 6 months (discharge of fire suppressant not a part of this test)																						
Inspect fire suppression hoses, plumbing and tank for obstructions and any condition such as, but not limited to, corrosion and pitting. Max interval: 6 months																						
Inspect and test all filter interlocks Max. interval: 6 months																						
Replace fire damper fusible link: rated @ 212°F Max interval: 12 months	Log TEMP																					
	Log mfg DATE Stamp																					

IL2378a

THIS MAINTENANCE LOG MUST BE KEPT IN A PROTECTIVE COVER PERMANENTLY ATTACHED TO THE APPLIANCE Log all repairs and recommendations on reverse side. Any repairs, other than replacement of factory authorized parts, to the fire suppression plumbing system must be subject to hydrostatic pressure testing.

ANSULEX Low pH

QUICK IDENTIFIER (In Plant Common Name)

Manufacturer's Name:	ANSUL INCORPORATED	Emergency Telephone No.:	CHEMTREC (800) 424-9300 or (703) 527-3887
Address:	One Stanton Street, Marinette, WI 54143-2542	Other Information Calls:	(715) 735-7411
Prepared By:	Safety and Health Department	Date Prepared:	February 1, 1999

SECTION 1 - IDENTITY

Common Name (Used on Label): (Trade Name and Synonyms)	ANSULEX Low pH Liquid Fire Suppressant	CAS No.:	N/A
Chemical Name:	N/A This is a Mixture	Chemical Family:	Mixture
Formula:	N/A		

SECTION 2 - INGREDIENTS

PART A - HAZARDOUS INGREDIENTS

Principal Hazardous Component(s) (chemical and common name(s)):	Wt. %	CAS No.	ACGIH TLV	Acute Toxicity Data
None	N/A	N/A	N/A	N/A

PART B - OTHER INGREDIENTS

Other Component(s) (chemical and common name(s)):	Wt. %	CAS No.	ACGIH TLV	Acute Toxicity Data
Proprietary Mixture of Organic and Inorganic Salts	48.0 - 50.0	N/A	N/E	NDA
Phosphoric Acid	0.2	7664-38-2	N/E	NDA
EDTA	0.65	64--02-8	N/E	NDA
Yellow-Green Fluorescent Dye	0.011	518-47-8	N/E	Oral LD ₅₀ (rat) 6800 mg/kg
Water	Approx. 50.0	7732-18-5	N/E	NDA

SECTION 3 - PHYSICAL AND CHEMICAL CHARACTERISTICS (Fire and Explosion Data)

Boiling Point:	113°C	Specific Gravity (H ₂ O=1):	1.33	Vapor Pressure (mm Hg):	Not Determined
Percent Volatile by Volume (%):	Approx. 50.0	Vapor Density: (Air = 1):	1.03	Evaporation Rate: (Butyl Acetate=1):	Approx. 0.005
Solubility in Water:	100%	Reactivity in Water:	Mild exothermic reaction		
Appearance and Odor:	Fluorescent Yellow Colored Liquid, Mild Odor				
Flash Point:	None to boiling	Flammable Limits in Air % by Volume:	N/A	Extinguisher Media:	N/A
Auto-Ignition Temperature:	N/A				
Special Fire Fighting Procedures:	NONE - THIS IS AN EXTINGUISHING AGENT				
Unusual Fire and Explosion Hazards:	None				

SECTION 4 - PHYSICAL HAZARDS

Stability:	Unstable <input type="checkbox"/> Stable <input checked="" type="checkbox"/>	Conditions to Avoid:	N/A
Incompatibility (Materials to Avoid):	Reactive Metals, ClF ₃ , electrically energized equipment, any material reactive with water.		
Hazardous Decomposition Products:	Not established, acrid fumes.		
Hazardous Polymerization:	May Occur <input type="checkbox"/> Will Not Occur <input checked="" type="checkbox"/>	Conditions to Avoid:	N/A

M522 p/n 2M-Z23068 OpM WVU- Universal Hood

SECTION 5 - HEALTH HAZARDS

ANSULEX Low pH (continued)

Threshold Limit Value:	None Established		
Routes of Entry: Eye Contact:	Irritant		
Skin Contact:	Irritant		
Inhalation:	Not an expected route of entry. Can be irritating to mucous membranes.		
Ingestion:	Irritating to mucous membranes. Acute Oral LD ₅₀ (Sprague-Dawley rats) 825.5mg/kg.		
Signs and Symptoms:	Acute Exposure: Material irritates skin, eyes, and mucous membranes. Chronic Exposure: None known.		
Medical Conditions Generally Aggravated by Exposure:	None known.		
Chemical Listed as Carcinogen or Potential:	National Toxicology Program: Yes <input type="checkbox"/> No <input checked="" type="checkbox"/>	I.A.R.C Monographs: Yes <input type="checkbox"/> No <input checked="" type="checkbox"/>	OSHA Yes <input type="checkbox"/> No <input checked="" type="checkbox"/>

SECTION 6 - EMERGENCY AND FIRST AID PROCEDURES

Eye Contact:	Flush and irrigate with water for 15 minutes while holding eyelids open. If irritation persists, seek medical attention.
Skin Contact:	Wash thoroughly with soap and water. If irritation persists, seek medical attention.
Inhalation:	Fresh air if symptoms occur. If irritation persists, seek medical attention.
Ingestion:	Dilute by drinking large quantities of water.

SECTION 7 - SPECIAL PROTECTION INFORMATION

Respiratory Protection (Specify Type):	N/A		
Ventilation:	Local Exhaust: N/A	Mechanical (General):	N/A
Protective Gloves:	Rubber gloves for spill/leak	Eye Protection:	Chemical goggles recommended during spill/leak procedures.
Other Protective Clothing or Equipment:	Eye wash and safety showers are good safety practice.		

SECTION 8 - SPECIAL PRECAUTIONS AND SPILL/LEAK PROCEDURES

Precautions to be taken in Handling and Storage:	Store in original container. Keep tightly closed. Keep separate from acid.
Other Precautions:	See incompatibility information in Section 4.
Steps to be taken in Case Material is Released or Spilled:	Stop leaks. Contain spills. Remove as much as possible. Place in closed container for proper disposal. Wash spill area with large amounts of water to remove traces and neutralize.
Waste Disposal Methods:	Dispose of in compliance with local, state and federal regulations.

HAZARDOUS MATERIAL IDENTIFICATION SYSTEM

HAZARD INDEX	
4 SEVERE HAZARD	0 HEALTH
3 SERIOUS HAZARD	0 FLAMMABILITY
2 MODERATE HAZARD	0 REACTIVITY
1 SLIGHT HAZARD	
0 MINIMAL HAZARD	

N/A = Not Applicable NDA = No Data Available N/E = Not Established
 ANSUL and ANSULEX are registered trademarks.

Internet Address: <http://www.ansul.com>

ANSUL INCORPORATED, ONE STANTON STREET, MARINETTE, WI 54143-2542

Form No. F-90160-6

©1999 Ansul Incorporated

M522 p/n 2M-Z23068 OpM WVU- Universal Hood

TROUBLESHOOTING SUGGESTIONS

Problem	Possible Cause	Suggested Remedy
Unit will not operate (no indicators lights lit)	Disconnected from electric power	Reconnect to electric power
		Reset circuit breaker for unit
Unit will not operate (buzzer sounds)	Fire suppression system not set	Contact an authorized Ansul® distributor for repairs
CHECK FILTER light lit	Filter pack, Pre-filter or baffle filter not in position	Properly install filters
REPLACE FILTER light lit	Filter nearing end of service life	Arrange to replace filters in a timely manner
	Filter pack plugged	Replace filter pack
	Fire damper in exhaust collar has closed	Contact an authorized Wells service agent for repairs
SERVICE REQUIRED light lit (cooking appliance not operating)	One or more vacuum sensing lines or ports plugged, or sensing line dislodged.	Contact an authorized Wells service agent for repairs
	NOTE: If, after 20 seconds, there is insufficient airflow for proper operation, SERVICE REQUIRED light will illuminate and under-hood appliance (s) will be de-energized.	
	Press VENTILATOR POWER SWITCH to OFF, then back to ON to reset system.	

NOTE:

FILTERS are the only user serviceable components in this ventilator hood system. For all problems that cannot be remedied by servicing the filters, contact:

Ventilator section - authorized Wells service agency

Fire suppression system - authorized Ansul® distributor

Ansul Deployments are not covered under warranty. Technical service needs to be contacted immediately and a deployment kit of parts needs to be replaced before unit is put back in service. [WS-WL0964](#) DEPLYMNT KIT, WVU-48

IMPORTANT:

Contact ANSUL® for fire suppression system installation, set-up and service:

Ansul Incorporated 1-800-TO-ANSUL (1-800-862-6785)

One Station Street

Marinette, WI 54143-2542 website <http://www.ansul.com>

IMPORTANT:

Parts used in the Ansul® fire suppression system are not serviceable by the owner/operator.

Procedures for servicing fire suppression equipment are described in:

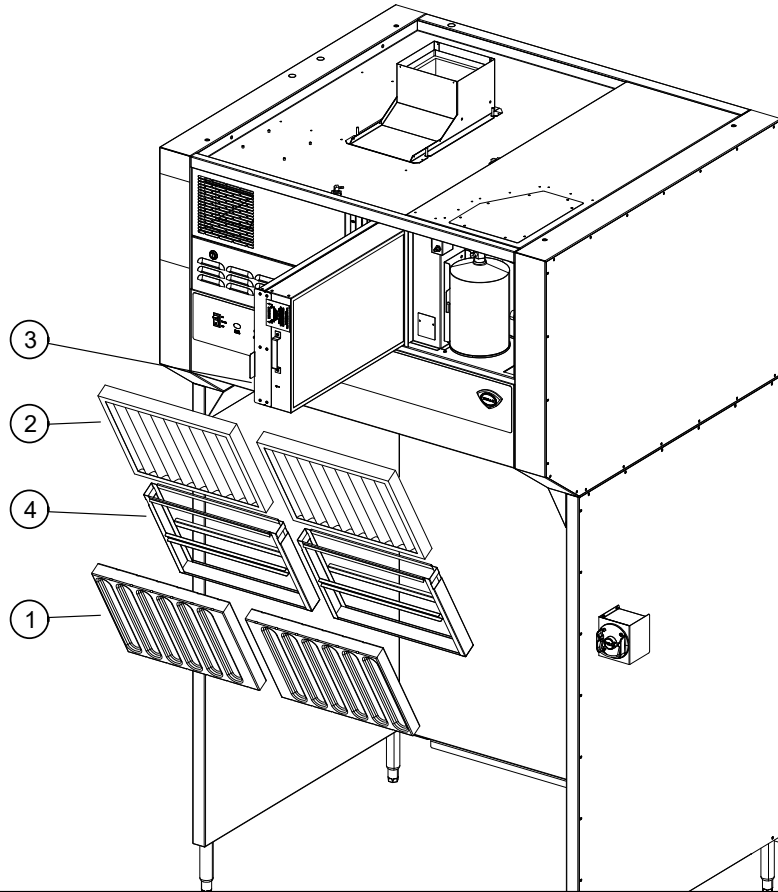
ANSUL® R-102 SYSTEM DESIGN, INSTALLATION, RECHARGE AND MAINTENANCE MANUAL
(418087, current edition)

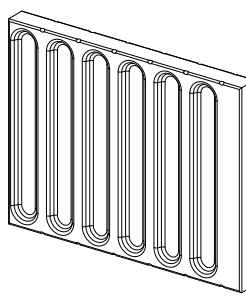
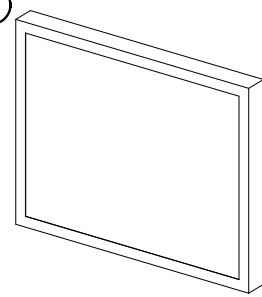
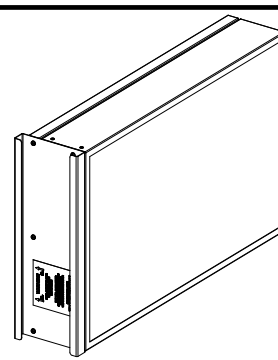
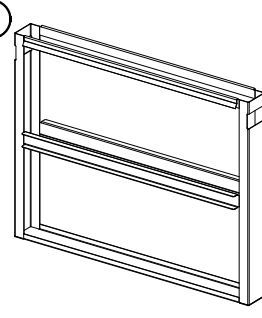
NOTE:

ANSUL® Manual 418087 is intended for use by authorized Ansul® service personnel only.

EXPLODED VIEW & PARTS LIST

Filter Maintenance



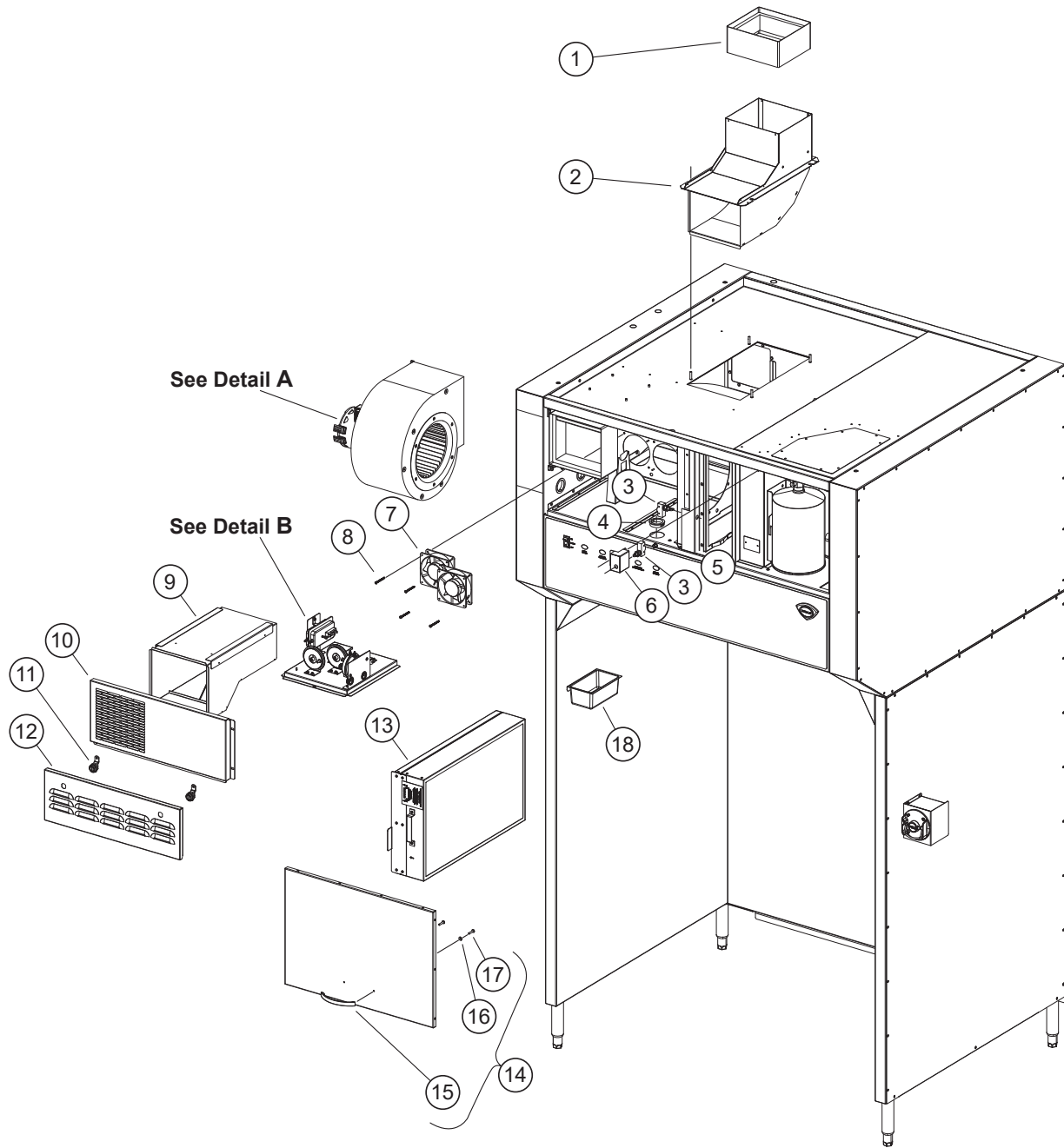
<p>①</p>  <p>Baffle Filter: 16" x 20" Part No: 2I-Z14670</p>	<p>②</p>  <p>Pre-Filter Hood Part No: 2I-Z16258</p>
<p>③</p>  <p>Filter HEPA/Carbon Pack Part No: N1-WL0171</p>	<p>④</p>  <p>Pre-Filter Cage Part No: M3-WL0230</p>

Model: WVU48 Filter Assy

SK2553 Rev. D, 10/20/2015

EXPLODED VIEW

Universal Hood Internal Control



Model: WVU48 Universal Hood



SK2554 Rev. - 1/16/2012

M522 p/n 2M-Z23068 OpM WVU- Universal Hood

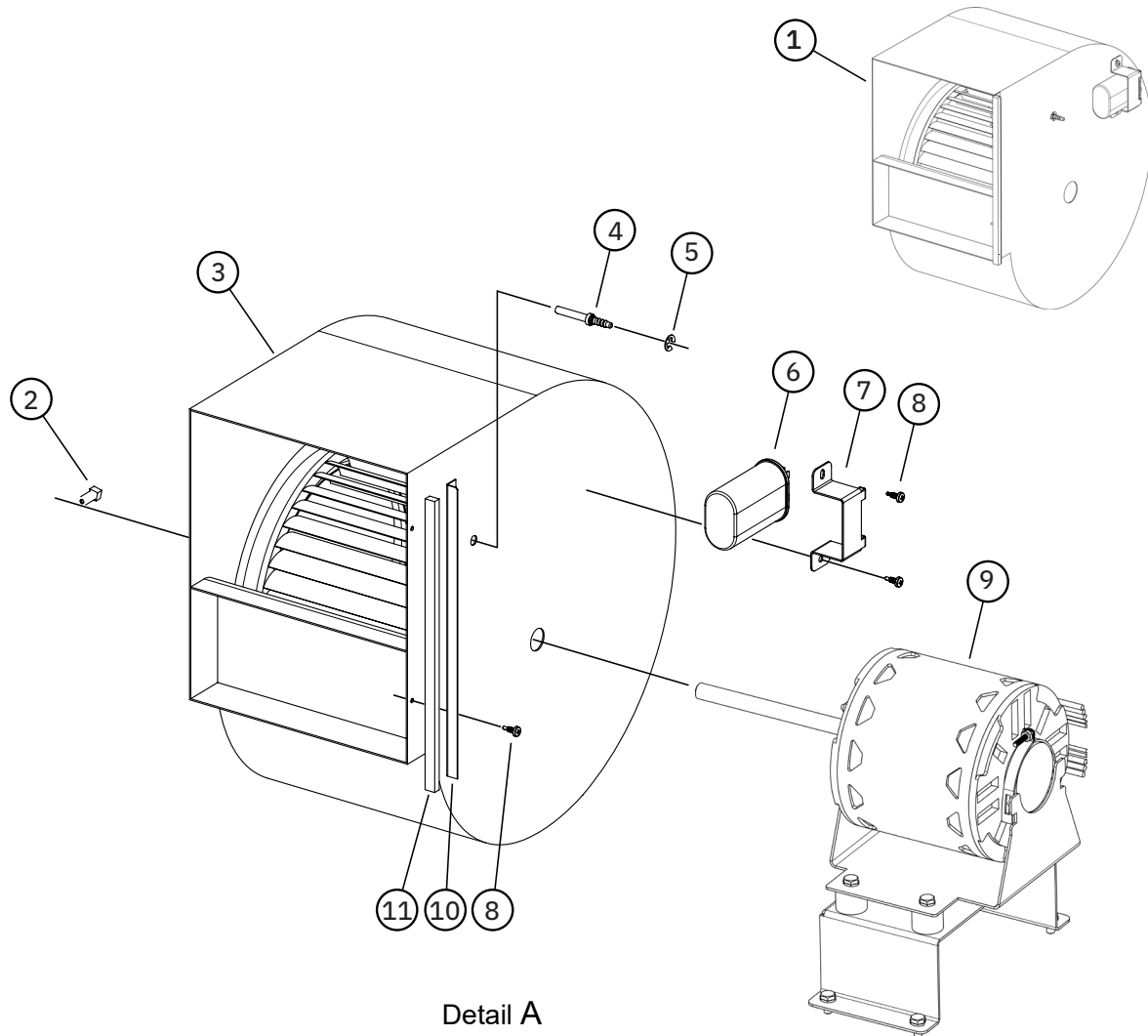
PARTS LIST

Universal Hood Internal Control

Internal Control Assy			
Fig No.	Part No	Quantity	Description
1	2V-307913	1	DAMPER FIRE 8X9 WVU
2	N1-WL0244	1	TOP DISCHARGE SCOOP ASSY.
	N1-Z14139 (NOT SHOWN IN EXPLODED VIEW)	1	BLOCK-OFF PLATE, TOP DISCHARGE (REPLACES Fig No. 2 Part No. N1-WL0244 FOR FRONT DISCHARGE CONFIGURATIONS-NOT SHOWN IN EXPLODED VIEW)
3	2E-300407	6	SWITCH MANUAL ADVANCE ROT
4	2K-Y8571	3	BUSHING SNAP 2 1/8
5	2K-Y1139	1	BUSHING HEYCO SB500-6
6	N1-Z14484	1	MOUNTING BRACKET, DOOR
7	2U-200577	2	MOTOR, FAN 240V, HI-OUTPU
8	2C-45201	4	SCREW 8-32X2 PH PAN HD MS
9	N1-WL0172	1	DUCTWORK ASSEMBLY
10	N1-Z14097	1	FRONT DISCHARGE VENTPANEL
11	2R-Z14532	2	CAM LATCH, SLOTTED
12	N1-Z14087	1	ACCESS DOOR, ELECT
13	N1-WL0171	1	FILTER HEPA/CARBON PACK
14	N1-WL0170	1	DOOR ASSY,FRONT ANSUL
15	2R-Z14429	1	HANDLE, 5"
16	2C-1810	2	WASHER 3/16 BURR STL NP
17	Included with #15	2	
18	2D-Z14672	1	GREASE CUP

EXPLODED VIEW & PARTS LIST

Universal Hood Internal Control (Detail A)



Detail A
Blower & Motor Assy

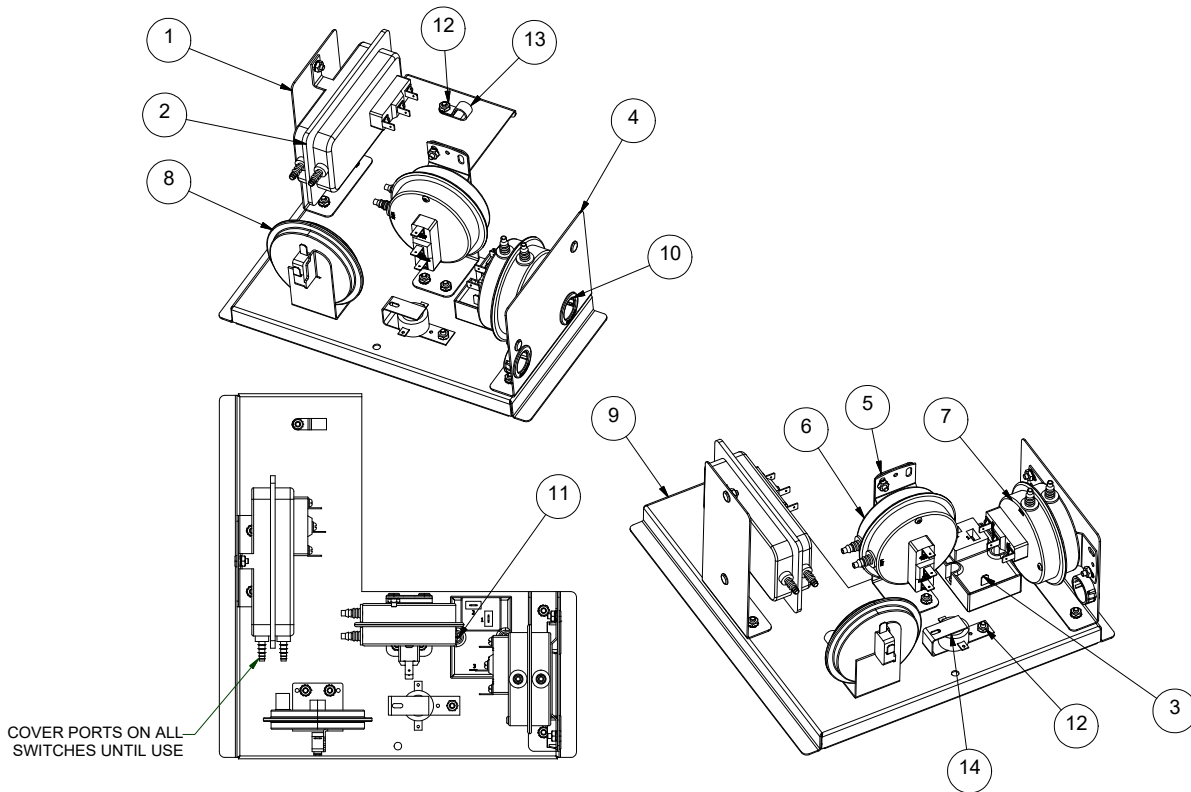
08/2017 MODELS AND LATER*

DETAIL A, Blower & Motor Assy

Fig No.	Part Number	Quantity	Description
1	N1-WL0830	1	LOWER ASSEMBLY
2	Included w/ no 3	2	
3	2U-Z14912	1	BLOWER CAGE & WHEEL ASSY.
4	2A-Z15331	1	PRESSURE TAP TUBE FITTING
5	2A-Z15332	1	E-CLIP RETAINING RING 1/4"
6	2E-Z14913	1	RUN CAPACITOR, 10 MFD, 370V
7	N1-Z15392	1	BRACKET, RUN CAPACITOR
8	2C-301522	4	SCREW 8X12 PH PAN SELF DRILLING
9	N1-WL0831	1	BLOWER MOTOR ASSEMBLY
10	N1-Z15316	1	SIDE FLANGE, BLOWER HOUSING
11	N1-Z15317-1	1	GASKET TAPE 10.25 LG, BLOWER SIDE FLANGE

EXPLODED VIEW & PARTS LIST

Universal Hood Internal Control (Detail b)



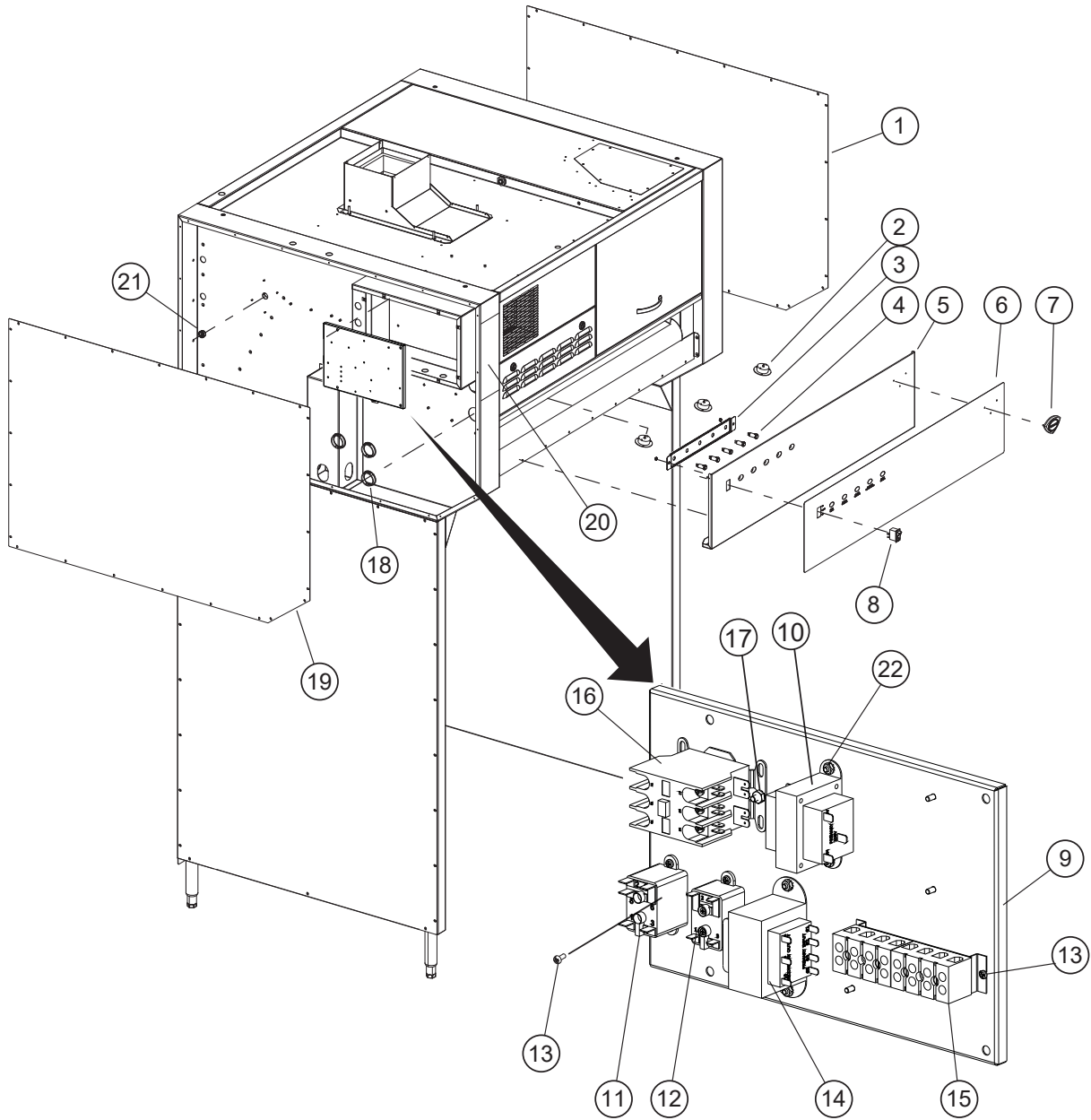
08/2017 MODELS AND LATER*

DETAIL B, Internal Control Panel Assy

Fig No	Part Number	Quantity	Description
1	N1-Z15362	1	BRACKET, PRESSURE SWITCH
2	2E-Z14673	1	PRESSURE SWITCH, AIR CURTAIN
3	2P-Z17415	1	TIMER, CUBE/RELAY
4	N1-Z14886	1	BRACKET, PRESSURE SWITCH
5	N1-Z15531	1	BRACKET, HEPA PRESS. SWITCH
6	2E-Z15352	1	VACUUM SWITCH, HEPA FILTER
7	2E-Z15365	1	PRESSURE SWITCH, SHUTDOWN
8	2E-Z24056	1	SWITCH VACUUM #2
9	N1-Z22130	1	MOUNTING TRAY, INTERNAL CONTROLS
10	2K-Y5093	2	BUSHING-SNAP #SB-1000-12
11	2C-08-07-0042	2	SCREW 8-32X5/8 RHP STL NP
12	2C-Z7165	15	NUT 8-32 HEX SS W/EXT WSH
13	2C-Z18059	1	CABLE CLAMP, 0.5 INCH NYLON
14	2J-44834	1	BUZZER

EXPLODED VIEW

Universal Hood Electrical Components



Electrical Components



SK2557 REV B (07-22)

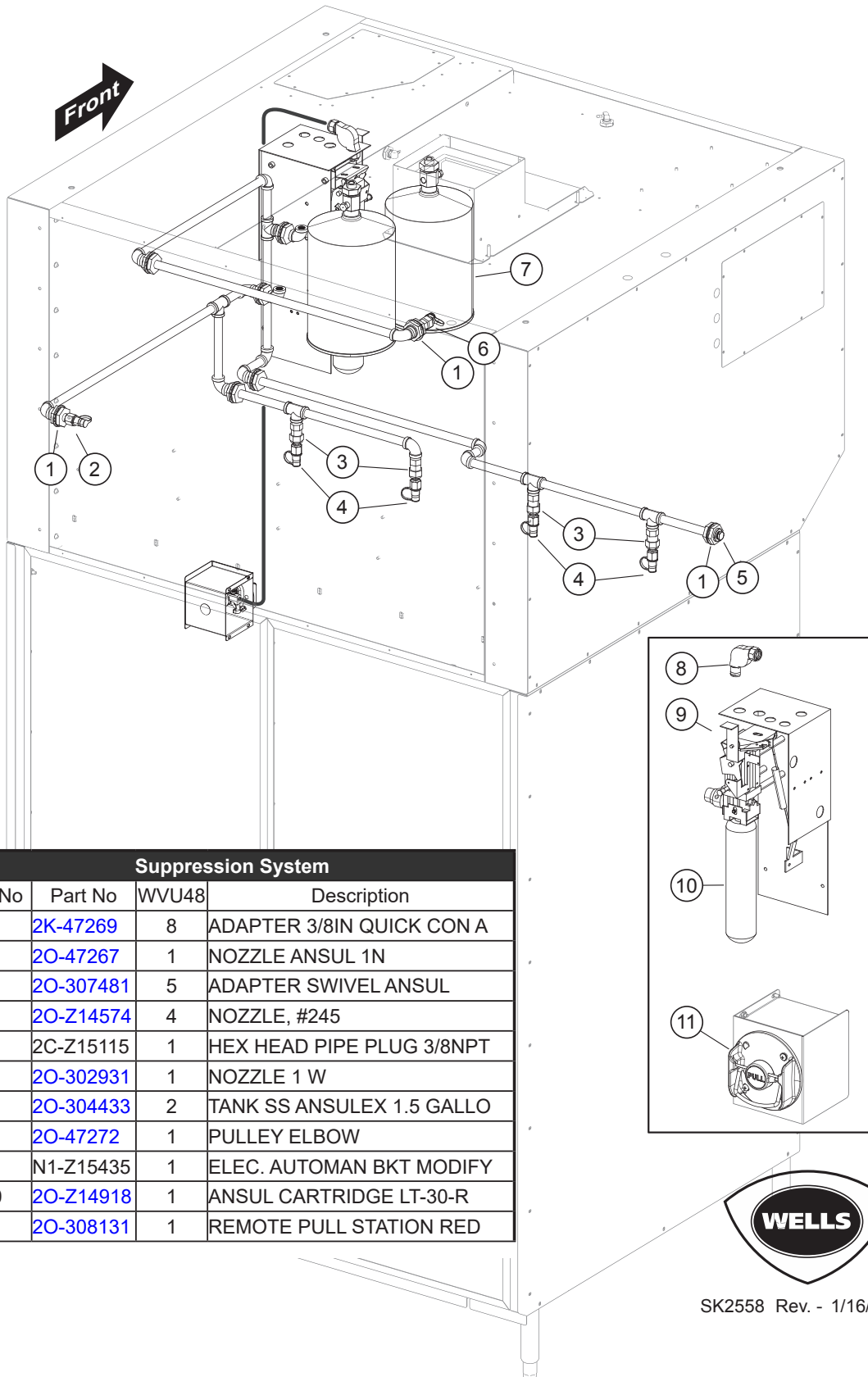
PARTS LIST

Universal Hood Electrical Components

Control Panel			
Fig No.	Part No	WVU48	Description
1	N1-Z14142	1	COVER, HOOD SIDE RIGHT
2	2E-WL0245	3	LED FLOODLIGHT, 45W CW w/TERM
3	N1-Z15418	1	MOUNTING PLATE, CTRL LIGHT
4	N1-WL0281	5	LIGHT SIGNAL, CLEAR LED w/TERM
5	N1-WL0250	1	CONTROL PANEL, FRONT ASSY
6	2M-Z14510	1	GRAPHIC PANEL W/ SWITCH
7	2M-306719	1	LOGO WELLS DIECAST SHIELD
8	2E-305295	1	SWITCH ROCKER 250V 10A GR
9	N1-WL0986	1	MOUNTING PLATE ASY, CONTROLS 8FT
10	2E-Z15018	1	TRANSFORMER, 208/240 12V 40VA
11	2E-44514	1	RELAY 208-240V COIL
12	2E-Z15353	1	RELAY, 120V COIL, SPNO
13	2C-1488	6	6-32 x 3/8 PHILLIPS ROUND HEAD MACHINE SCREW
14	2E-Z15335	1	TRANSFORMER, 208/240-120V 100VA
15	N1-WL1059	1	BRKT, ASSY, TERM BLOCK
16	2E-Z14960	1	CONTACTOR, 40A 208/240V
17	2C-40680	2	KEP NUT, 10-32
18	2K-Y8571	3	BUSHING SNAP 2 1/8
19	N1-WL0275	1	COVER, HOOD SIDE LEFT
20	N1-Z23780	1	FRONT PANEL, REMOVABLE
21	2K-8043	2	BUSHING HEYCO SB-875-10
22	2C-Z7165	4	8-32 KEPS NUT-SS

EXPLODED VIEW & PARTS LIST

Universal Hood Suppression System



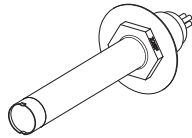
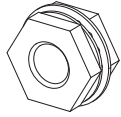
Suppression System			
Fig. No	Part No	WVU48	Description
1	2K-47269	8	ADAPTER 3/8IN QUICK CON A
2	2O-47267	1	NOZZLE ANSUL 1N
3	2O-307481	5	ADAPTER SWIVEL ANSUL
4	2O-Z14574	4	NOZZLE, #245
5	2C-Z15115	1	HEX HEAD PIPE PLUG 3/8NPT
6	2O-302931	1	NOZZLE 1 W
7	2O-304433	2	TANK SS ANSULEX 1.5 GALLO
8	2O-47272	1	PULLEY ELBOW
9	N1-Z15435	1	ELEC. AUTOMAN BKT MODIFY
10	2O-Z14918	1	ANSUL CARTRIDGE LT-30-R
11	2O-308131	1	REMOTE PULL STATION RED

SK2558 Rev. - 1/16/2012

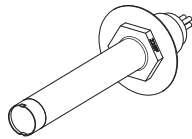
EXPLODED VIEW & PARTS LIST

Universal Hood Detection System

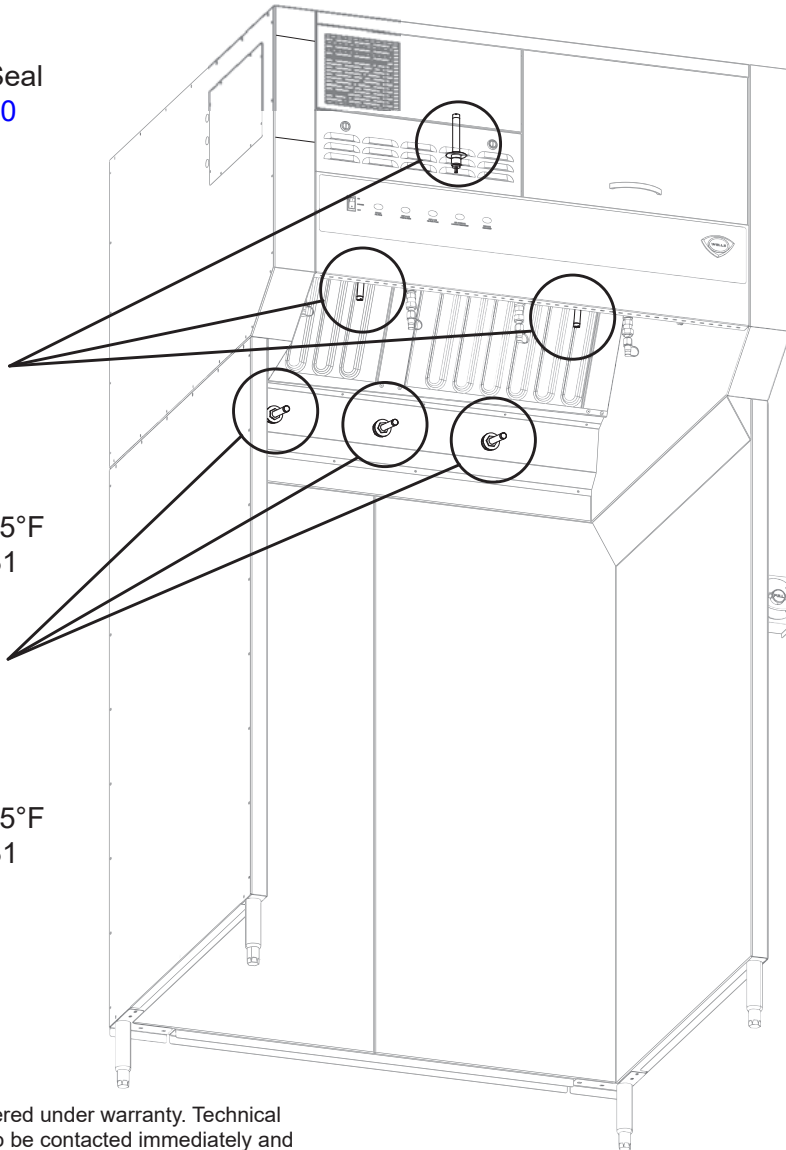
Adapter 1/2" Quick Seal
Part No: 2T-Z15320



Thermal Detector-325°F
Part No: 2T-Z23131

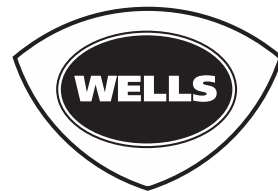


Thermal Detector-325°F
Part No: 2T-Z23131



Ansul Deployments are not covered under warranty. Technical service (800)-264-7827 needs to be contacted immediately and a deployment kit of parts needs to be replaced before unit is put back in service.

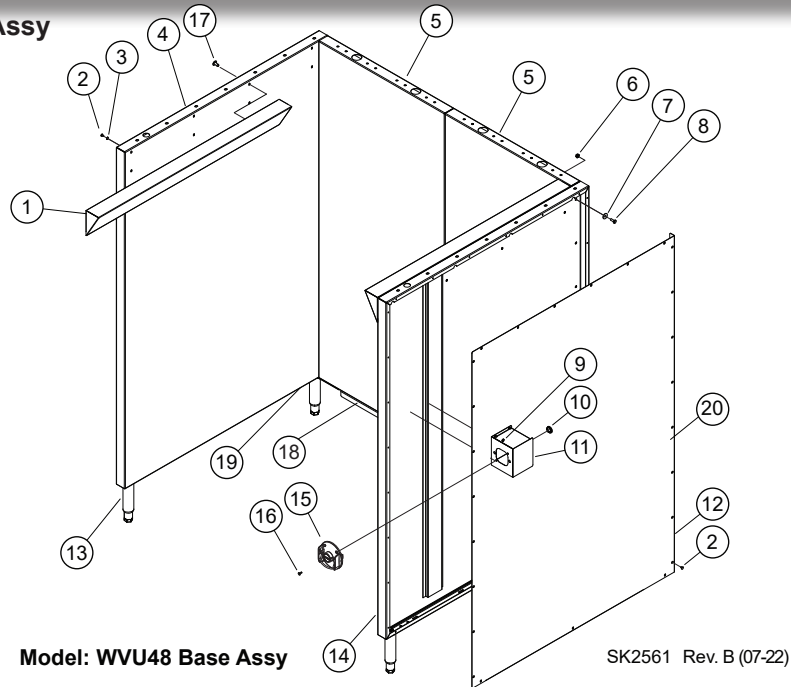
WS-WL0964		DEPLYMNT KIT, WVU-48	QTY
1	2J-44834	BUZZER 220V ROHS	1
2	2E-Z15352	VACUUM SWITCH,HEPA FILTER	1
3	2E-305295	SWITCH ROCKER 250V 10A	1
4	N1-Z22134	BLOWER MOTOR, MODIFIED	1
5	2U-200577	MOTOR, FAN 240V, HI-OUT PUT	2
6	WS-Z17920	PKG,TIMER & BRACKET ASM	1
7	2E-Z15365	PRESSURE SWITCH	1
8	2E-200387	CORD FAN PLUG	2
9	N1-WL0171	FILTER HEPA/CARBON PACK	1
10	2I-Z16258	FILTER PRE HOOD UNIVERSAL	2
11	2I-Z22132	MOUNT, SILICONE,	4



SK2559 Rev. A 7/25/2012

EXPLODED VIEW & PARTS LIST

Universal Hood Base Assy



Model: WVU48 Base Assy

SK2561 Rev. B (07-22)

Base Assembly			
Fig No.	Part No	Quantity	Description
1	N1-Z15193	2	BASE DEFLECTOR
2	2C-35487	66	SCREW 8-32X5/16 PH TR HD
3	2C-1825	16	WASHER #8 EXT STL NP
4	N1-WL0176	1	BASE,SUPPORT ASSY LFT
5	N1-Z14147	2	BASE,BACK SUPPORT
	N1-Z14149		BASE,BACK SUPPORT 8FT
6	2C-6517	70	NUT 1/4-20 HEX STL NP
7	2C-A27469	70	WASHER,FLAT 1/4IN 7/8OD 1
8	2C-Z5555	70	BOLT 1/4-20 X .75 HEX SS
9	2C-31053	4	NUT 8-32 KEPS MS NICKEL
10	2P-70903-05	1	PLG BTN PLTD MTL 7/8
11	N1-WL0126	1	BOX, MANUAL PULL ASSEMBLY
12	N1-WL0180	1	COVER,BASE SIDE RT ASSY
	N1-Z14152	1	COVER, BASE SIDE LEFT
13	2A-307628	4	LEG 6 ADJ 1/2-13 SS
	2A-Z16259		LEG, 10" ADJ. 1/2-13 SS (Optional)
14	N1-WL0177	1	BASE,SUPPORT ASSY RT
15	2O-308131	1	REMOTE PULL STATION RED
16	2C-31730	2	SCREW 8-32X1/2 PH TR HD M
17	2C-6349	16	SCREW #8X3/8 B THP STL NP
18	N1-Z15330	1	STIFFENER, BASE BOTTOM (not shown)
19	N1-14158	1	STIFFENER PLATE, BASE
20	N1-14159	1	STIFFENER PLATE,BASE (not shown)

PARTS & SERVICE

DESCRIPTION

PART NO.

IMPORTANT: Use only factory authorized service parts and replacement filters.

For factory authorized service, or to order factory authorized replacement parts, contact your Wells authorized service agency, or call:

Wells Manufacturing
265 Hobson St.
Smithville, TN 37166 USA

Service Dept.
phone: (800) 264-7827

Service Parts Department can supply you with the name and telephone number of the WELLS authorized service agency nearest you.

CUSTOMER SERVICE DATA

please have this information available if calling for service

RESTAURANT _____ LOCATION _____

INSTALLATION DATE _____ TECHNICIAN _____

SERVICE COMPANY _____

ADDRESS _____ STATE _____ ZIP _____

TELEPHONE NUMBER (____)____-_____

EQUIPMENT MODEL NO. _____ EQUIPMENT SERIAL NO. _____

VOLTAGE: (check one) 208 240



Application for Ventless Approvals

All Wells Ventless models' dimensions, electrical requirements, and venting requirements are in the specification sheet and manuals. All documentation can be found at wells-mfg.com. Any questions please call Wells at (800) 264-7827

Please print or type. The application must be fully completed to be Approved. Please complete each section if applicable. Submit this application and all supporting documents with your PO.

Please supply documentation with application:

- Spec Sheets (equipment under the hoods)
- Manuals (equipment under the hood)

NYC and Chicago

- Please contact a Wells representative to inquire about additional documentation

Customer Information

Business Name

Address		City	State	Zip
Phone Number	Mobile Number	Email Address		

Project Contact Information

Name	Email Address	Phone Number
Company		

Dealer Information

Name	Email Address	Phone Number
Company		

Wells Ventless

Model Number	How many pieces of equipment under hood	Project contact initial
1.		
2.		
3.		



Wells Recirculating Ventless Hoods – Getting Started

Before you order a Wells Ventless System please review the following suggestions to ensure a trouble-free experience.

- Choose the model(s) that best suits your needs: (over 20 models to choose from)
- Read the specification sheet, owner's manual and watch the videos before ordering.
 - Available at wells-mfg.com
- Dimensions, Clearances, and Measurements: Verify the appliance will fit, that there is adequate vertical clearance and that the hood can be maneuvered into the space. Measure twice, order once.
- Ask Wells to check your equipment list to verify everything fits and is UL compliant.
 - Use all Star/Lang/Wells/Toastmaster/APW/Bakers Pride/Southbend equipment under the universal models will upgrade your warranty for FREE!
- Pull permits: Fire system, electrical and mechanical permits may be required in your area.
- HVAC: A well ventilated space is needed. We recommend you have an engineer or mechanical contractor review your plans and existing HVAC system.
- Electrical: Verify that sufficient electrical service is available to power the cooking equipment. Note that the control panels on some models require an interconnection with the cooking appliances that is not included.
- Fire Protection: Speak with a local licensed Ansul agent before ordering. Can they do a R-102 Fire suppression system? Does the building have a fire alarm panel? Is a remote pull required at way of egress? Charging and tagging the Ansul system must be performed by a licensed ANSUL agent and is not Wells responsibility.
 - WVU-31CT and WVC-46 require additional Ansul parts supplied by others.
- Wells Ventless systems are made-to-order and are non-refundable, so do your homework and ask questions. We are here to help.
- Fill out the Wells Ventless Application and turn in with your order.
- Place your order.



Wells proudly supports CFESA
Commercial Food Equipment Service Association

SERVICE TRAINING - QUALITY SERVICE



CUSTOMER SATISFACTION



WELLS MANUFACTURING
265 Hobson Street, Smithville, Tennessee 37166
telephone: 800-264-7827
www.wells-mfg.com