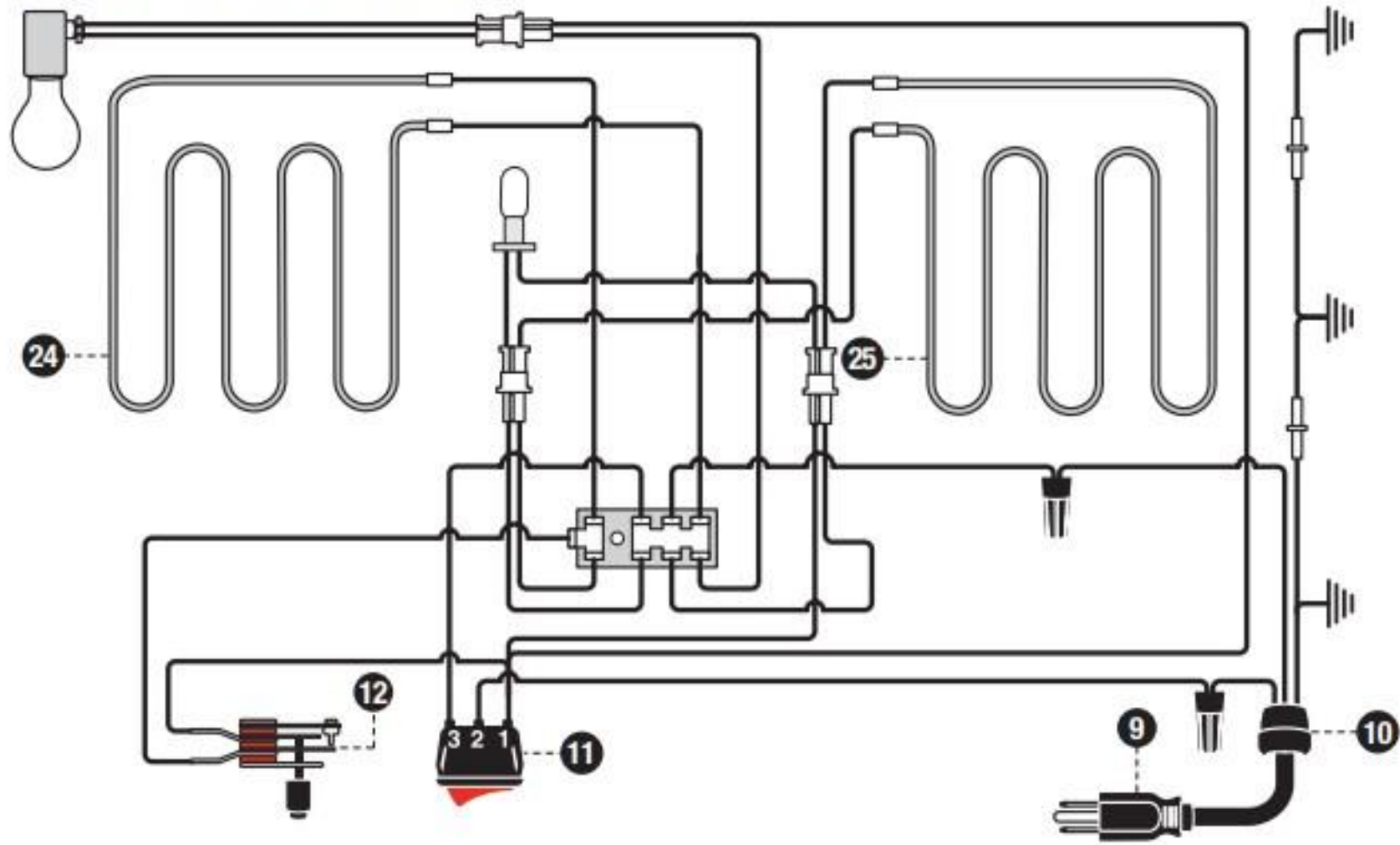
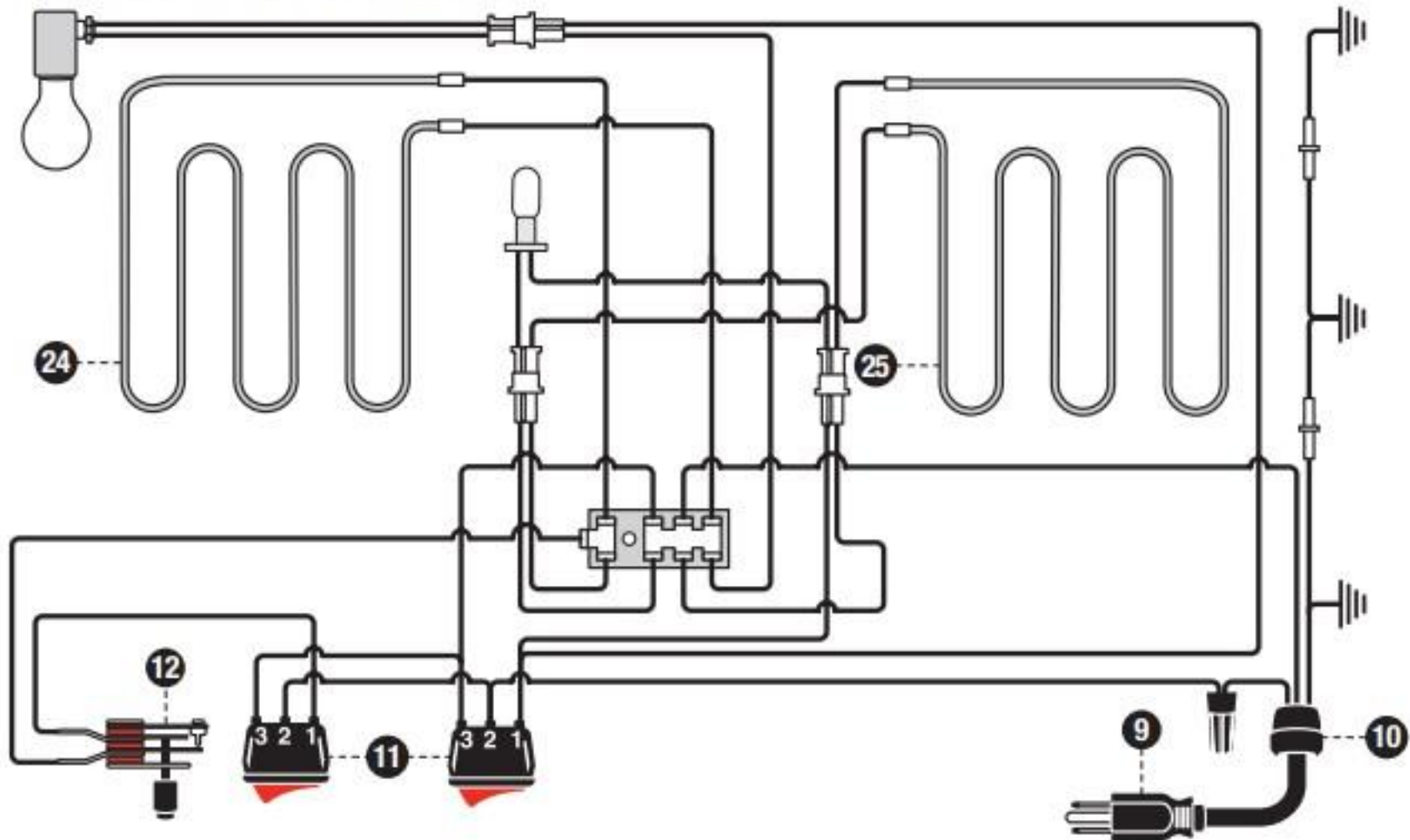


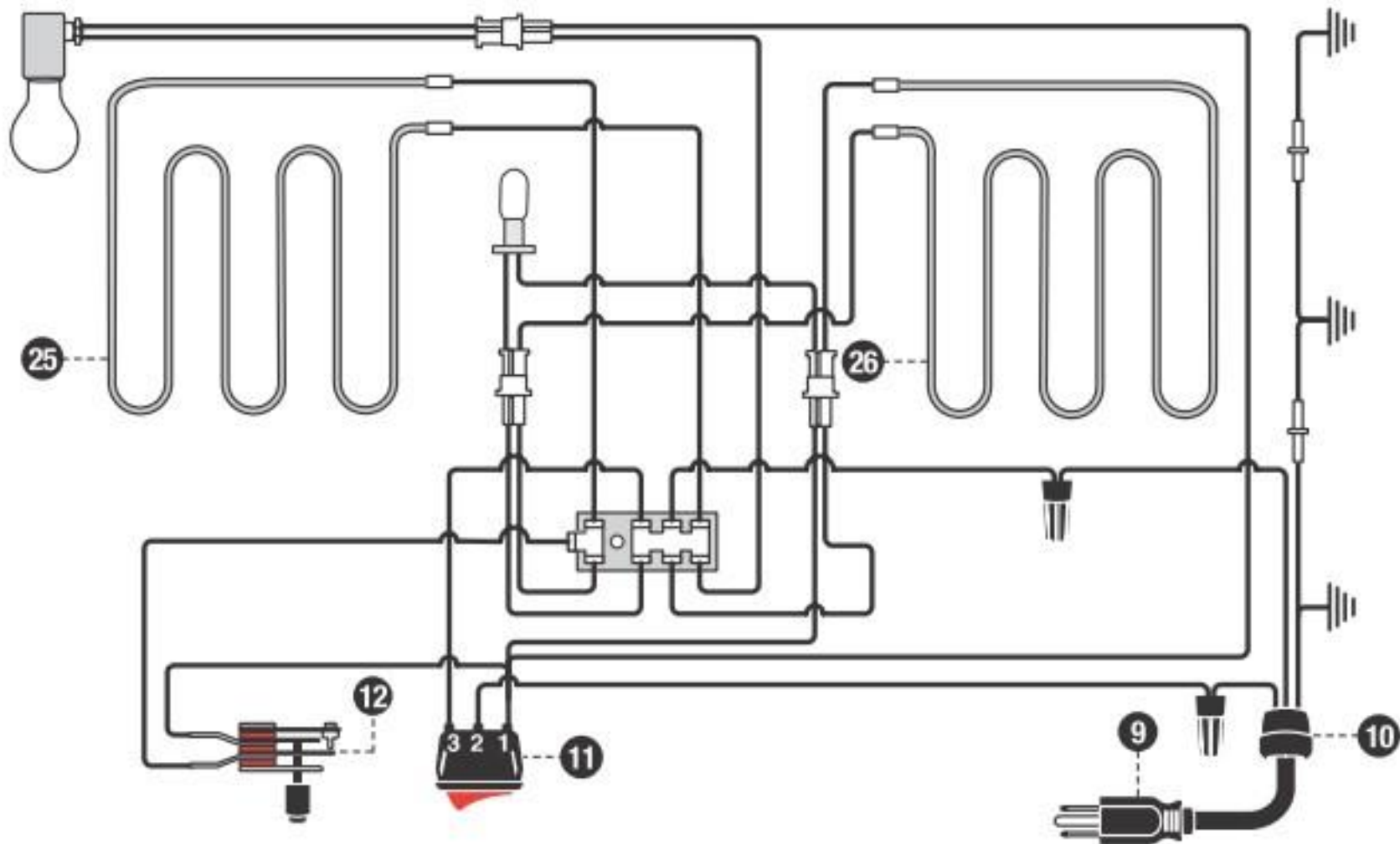
# Current Model (Single Switch)



### Obsolete Model (Dual Switch)



### Current Model (Single Switch)



## Obsolete Model (Dual Switch)

