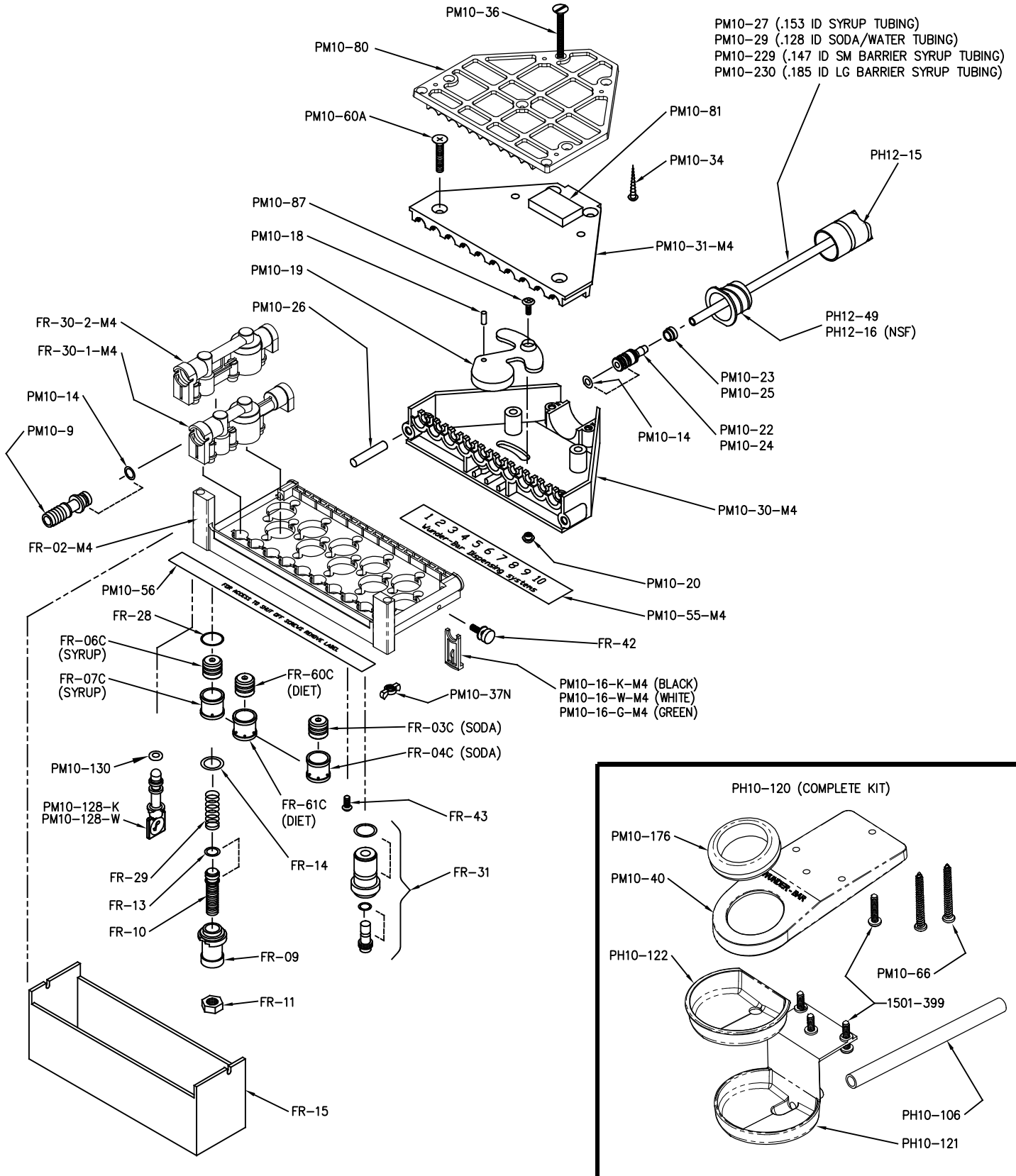


MARK 4 10-BUTTON POST MIX MANIFOLD W/FLOW CONTROL

JOB:

ITEM#:

PM10-27 (.153 ID SYRUP TUBING)
 PM10-29 (.128 ID SODA/WATER TUBING)
 PM10-229 (.147 ID SM BARRIER SYRUP TUBING)
 PM10-230 (.185 ID LG BARRIER SYRUP TUBING)



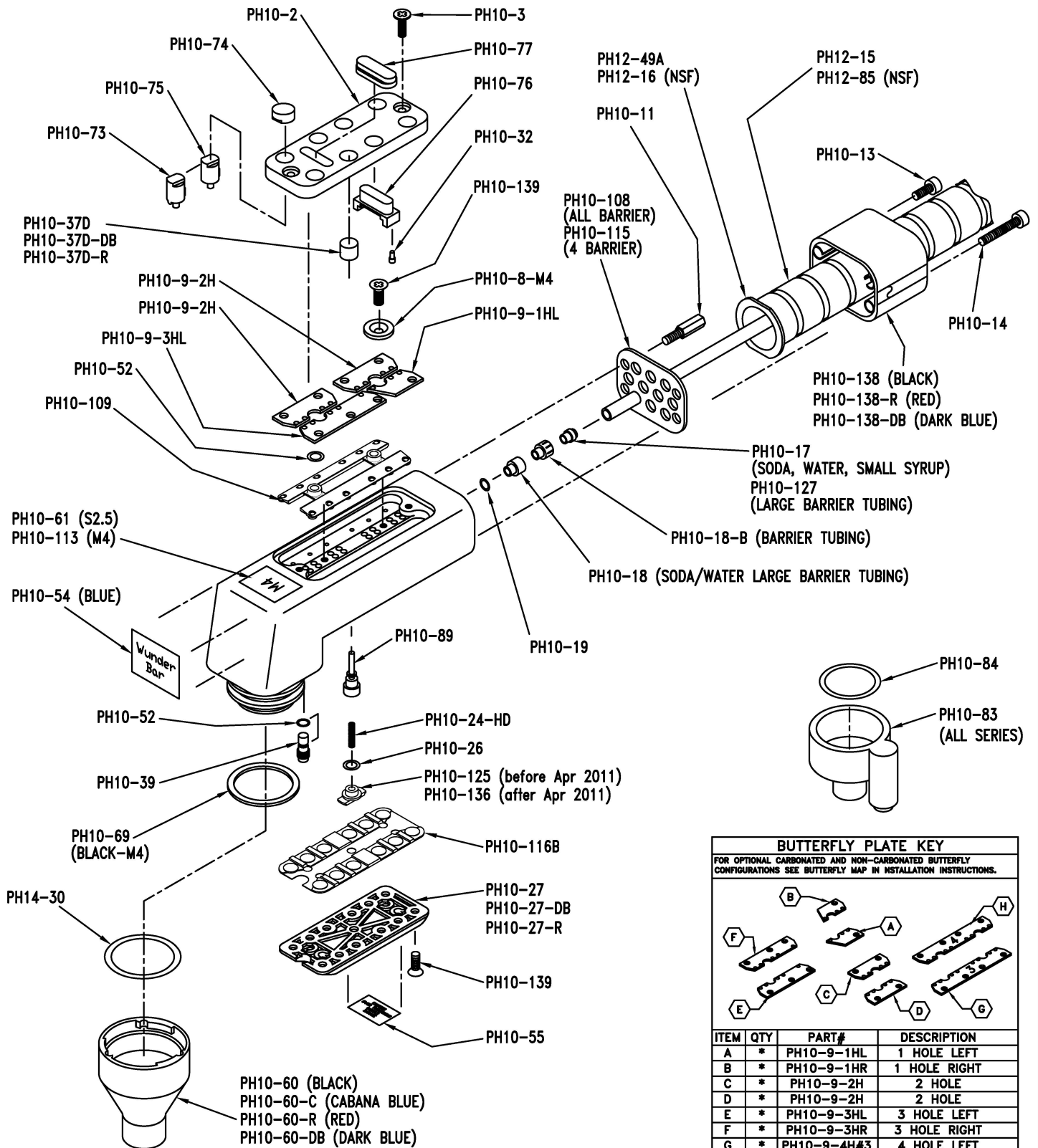
0550081-2F.dwg / 14 FEB 2017

Wunder - Bar Dispensing Systems

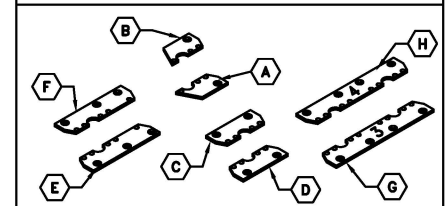
AUTOMATIC BAR CONTROLS, INC.
 2060 CESSNA DRIVE, STE 100
 VACAVILLE, CA 95688

PHONE: (707) 448-5151
 FAX : (707) 448-1521

MARK 4 10-BUTTON POST MIX HANDLE



BUTTERFLY PLATE KEY
FOR OPTIONAL CARBONATED AND NON-CARBONATED BUTTERFLY CONFIGURATIONS SEE BUTTERFLY MAP IN INSTALLATION INSTRUCTIONS.



ITEM	QTY	PART#	DESCRIPTION
A	*	PH10-9-1HL	1 HOLE LEFT
B	*	PH10-9-1HR	1 HOLE RIGHT
C	*	PH10-9-2H	2 HOLE
D	*	PH10-9-2H	2 HOLE
E	*	PH10-9-3HL	3 HOLE LEFT
F	*	PH10-9-3HR	3 HOLE RIGHT
G	*	PH10-9-4H#3	4 HOLE LEFT
H	*	PH10-9-4H#4	4 HOLE RIGHT

0550075H.DWG / 28 JUL 2017

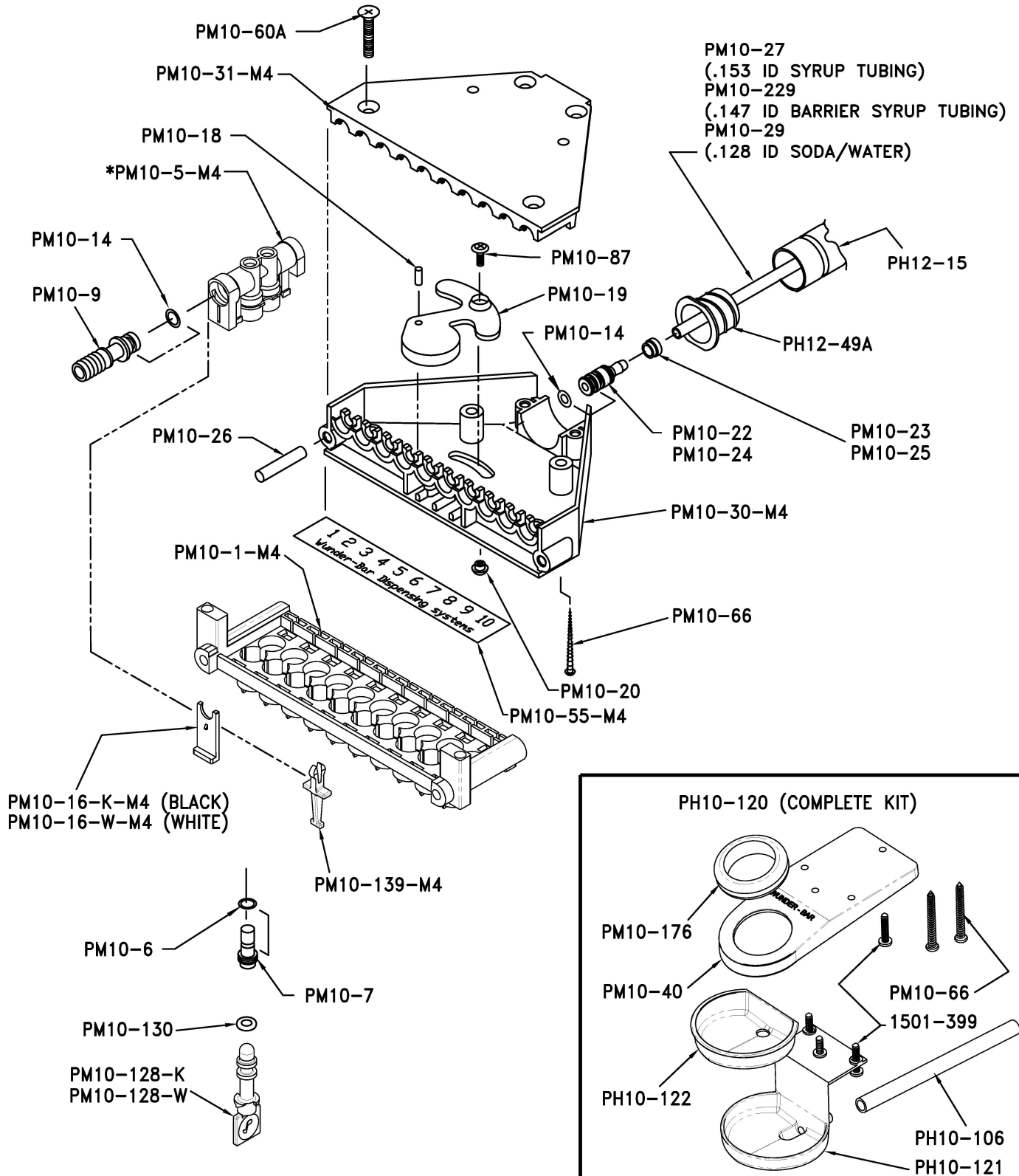
Wunder-Bar™

AUTOMATIC BAR CONTROLS, INC.
2060 CESSNA DR, SUITE 100
VACAVILLE, CA 95688

www.wunderbar.com

PHONE: (707) 448-5151
FAX : (707) 448-1521

MARK 4 10-BUTTON POST MIX MANIFOLD



*NEEDS TO BE ORDERED AS PM10-5-M4-C

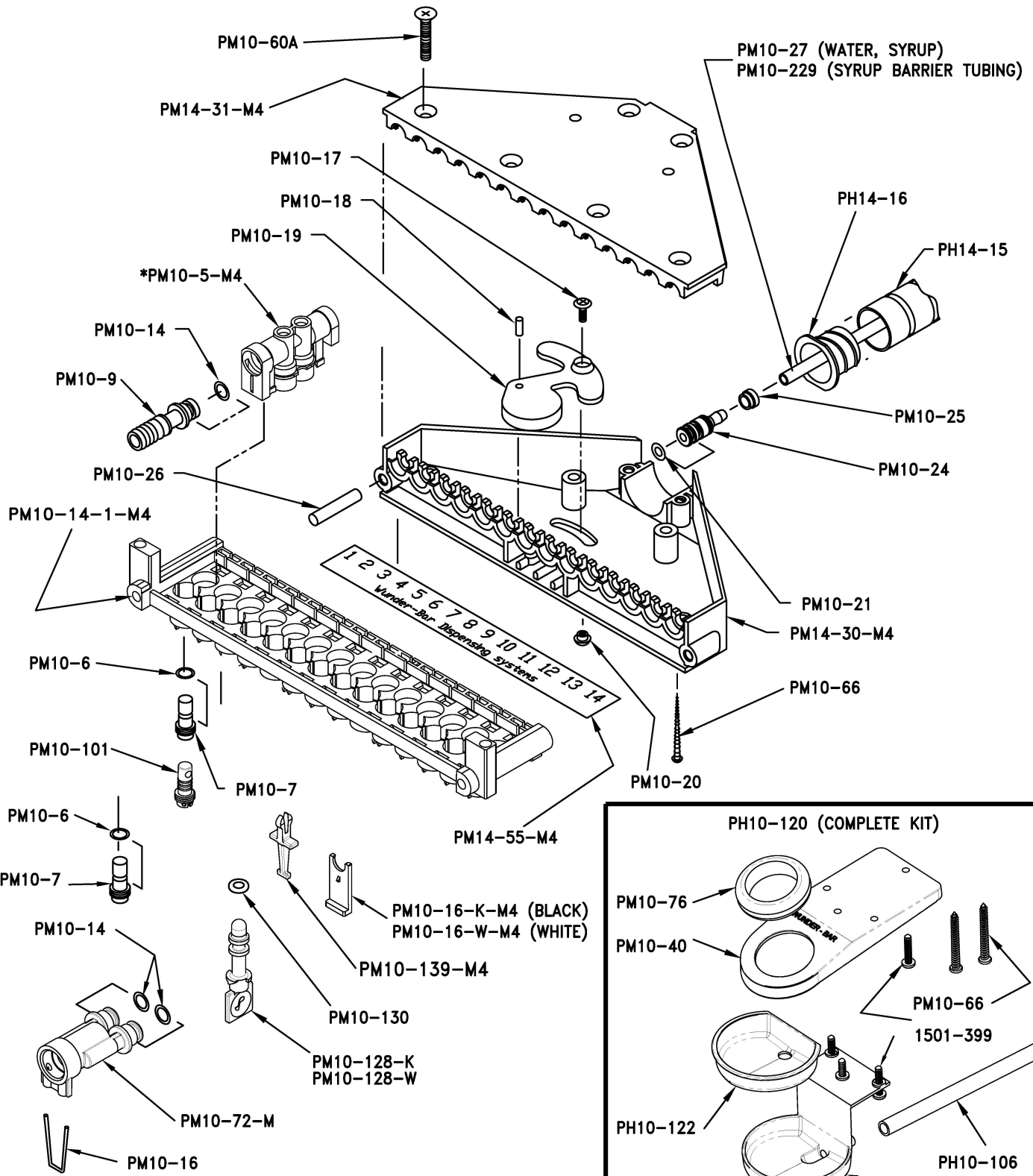
Wunder-Bar™

AUTOMATIC BAR CONTROLS, INC.
2060 CESSNA DR, SUITE 100
VACAVILLE, CA 95688

www.wunderbar.com

PHONE: (707) 448-5151
FAX : (707) 448-1521

MARK 4 10-BUTTON JUICE MANIFOLD



0550084F.DWG / 28 JUL 2017

*NEEDS TO BE ORDERED AS PM10-5-M4-C

Wunder-Bar™

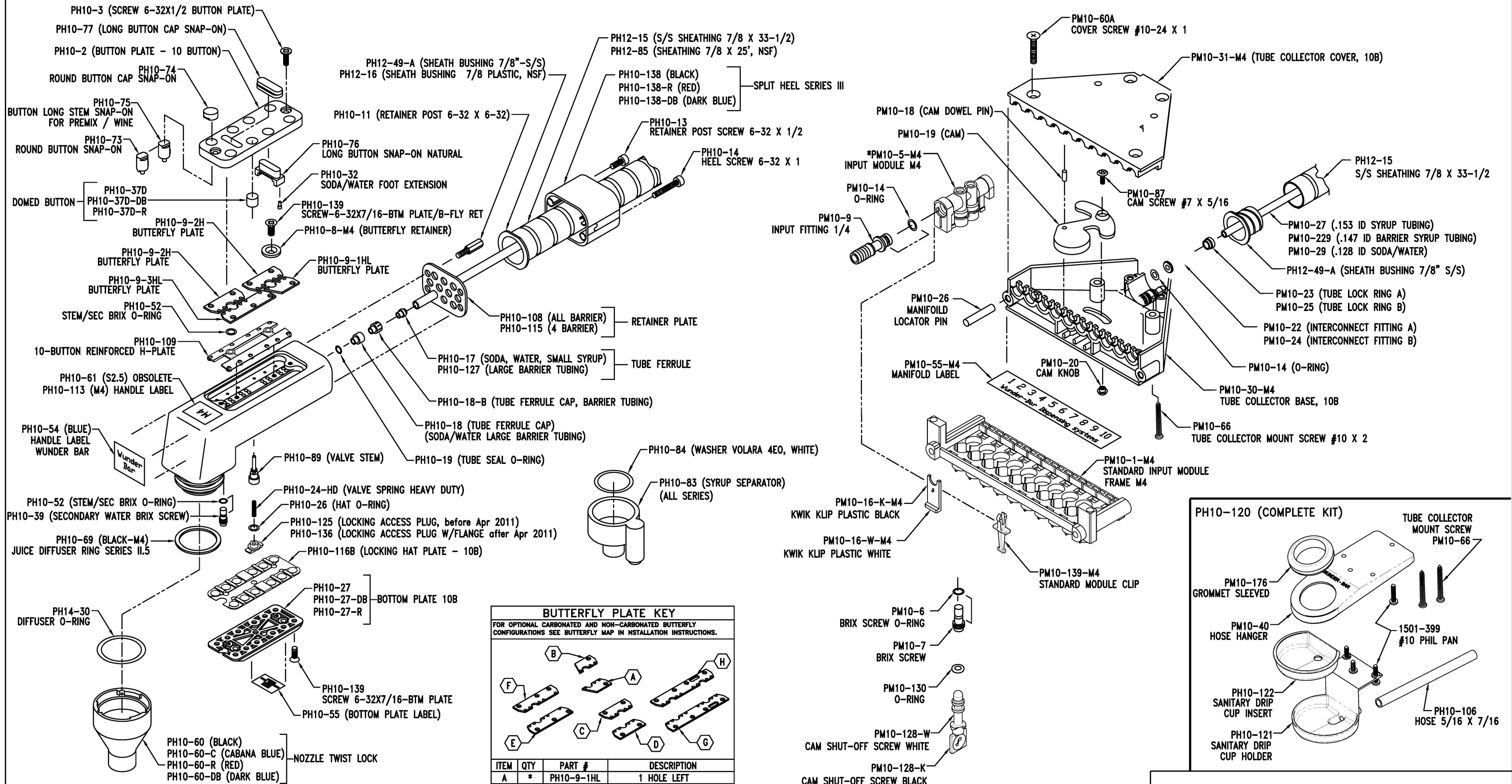
AUTOMATIC BAR CONTROLS, INC.
2060 CESSNA DR, SUITE 100
VACAVILLE, CA 95688

www.wunderbar.com

PHONE: (707) 448-5151
FAX : (707) 448-1521

Wunder-Bar™

M4 10 BUTTON POST MIX HANDLE AND STANDARD MANIFOLD



Automatic Bar Controls
www.wunderbar.com
 2060 Cessna Dr, Suite 100
 Vacaville, CA. 95688
 PHONE: 707-448-5151 FAX: 707-448-1521