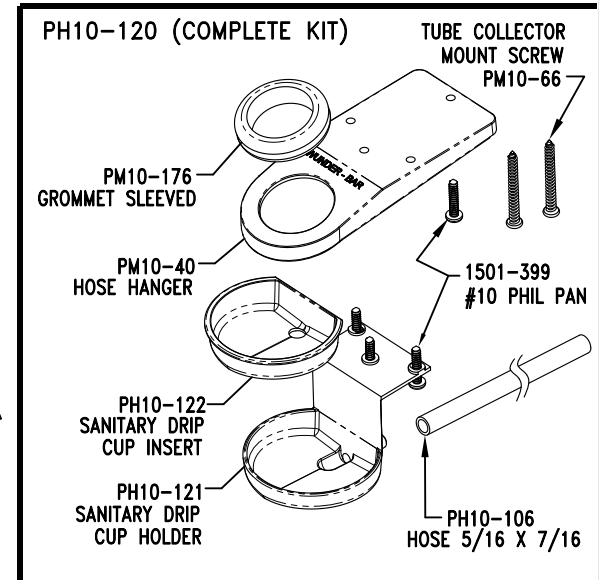
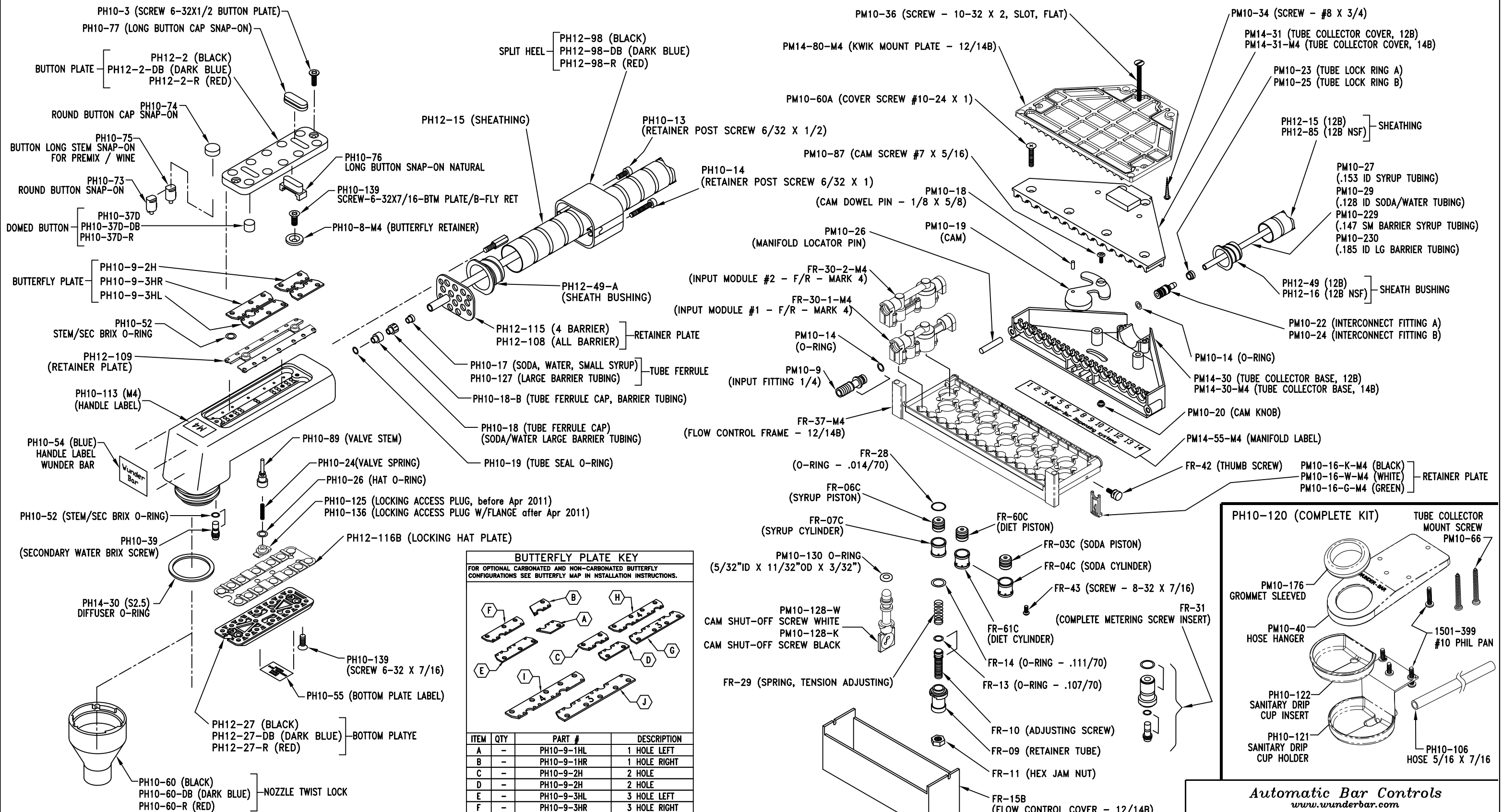


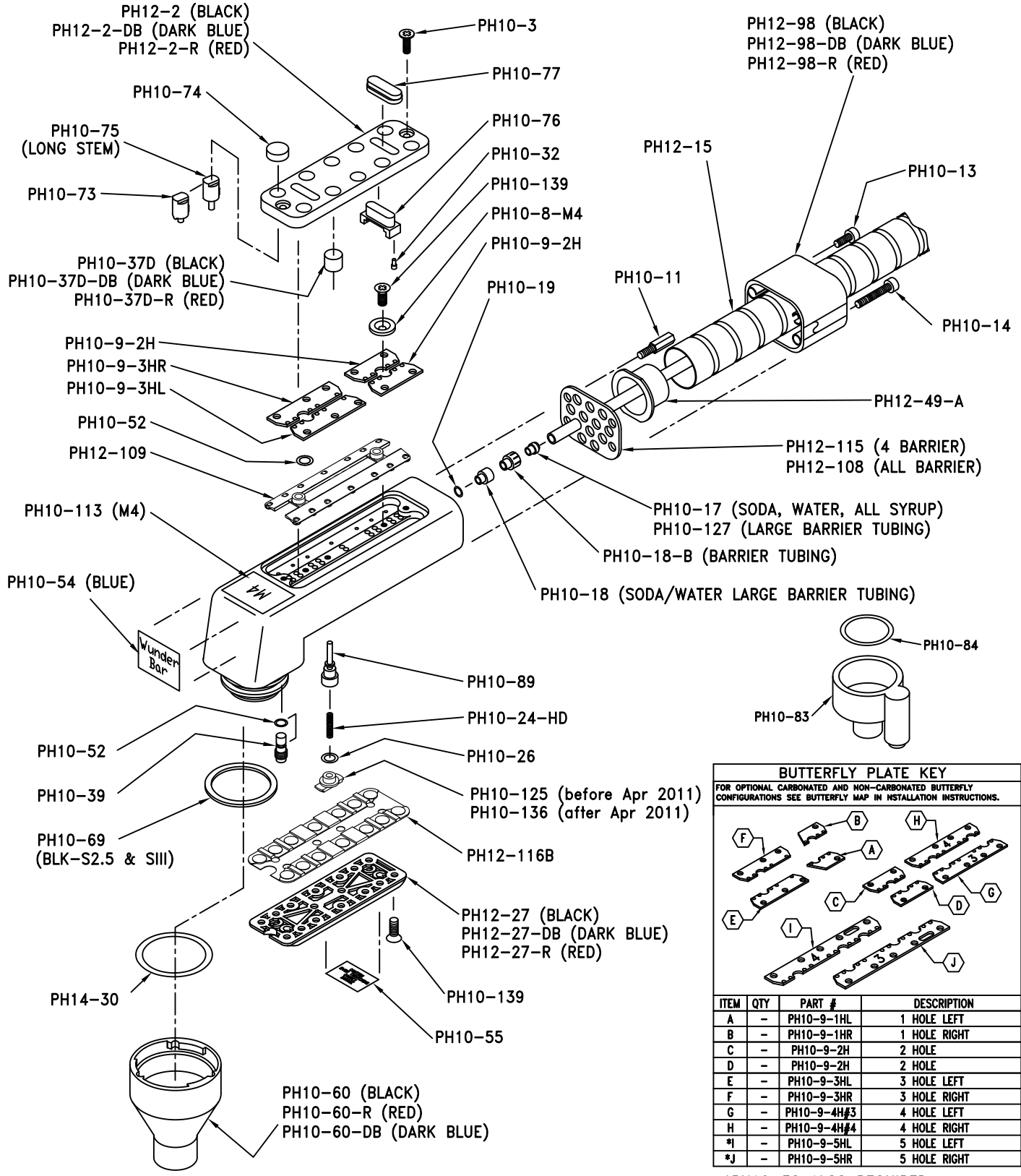
Wunder-Bar™

MARK 4 12-BUTTON POST MIX HANDLE AND MANIFOLD WITH FLOW CONTROL

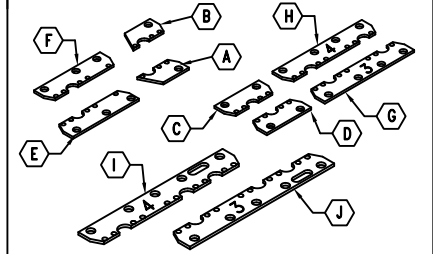


Automatic Bar Controls
www.wunderbar.com
 2060 Cessna Dr, Suite 100
 Vacaville, CA. 95688
 PHONE: 707-448-5151 FAX: 707-448-1521

MARK 4 12-BUTTON POST MIX HANDLE



BUTTERFLY PLATE KEY
FOR OPTIONAL CARBONATED AND NON-CARBONATED BUTTERFLY CONFIGURATIONS SEE BUTTERFLY MAP IN INSTALLATION INSTRUCTIONS.



ITEM	QTY	PART #	DESCRIPTION
A	-	PH10-9-1HL	1 HOLE LEFT
B	-	PH10-9-1HR	1 HOLE RIGHT
C	-	PH10-9-2H	2 HOLE
D	-	PH10-9-2H	2 HOLE
E	-	PH10-9-3HL	3 HOLE LEFT
F	-	PH10-9-3HR	3 HOLE RIGHT
G	-	PH10-9-4H#3	4 HOLE LEFT
H	-	PH10-9-4H#4	4 HOLE RIGHT
*I	-	PH10-9-5HL	5 HOLE LEFT
*J	-	PH10-9-5HR	5 HOLE RIGHT

*PH10-32 ALSO REQUIRED

0550076H.DWG / 28 JUL 2017

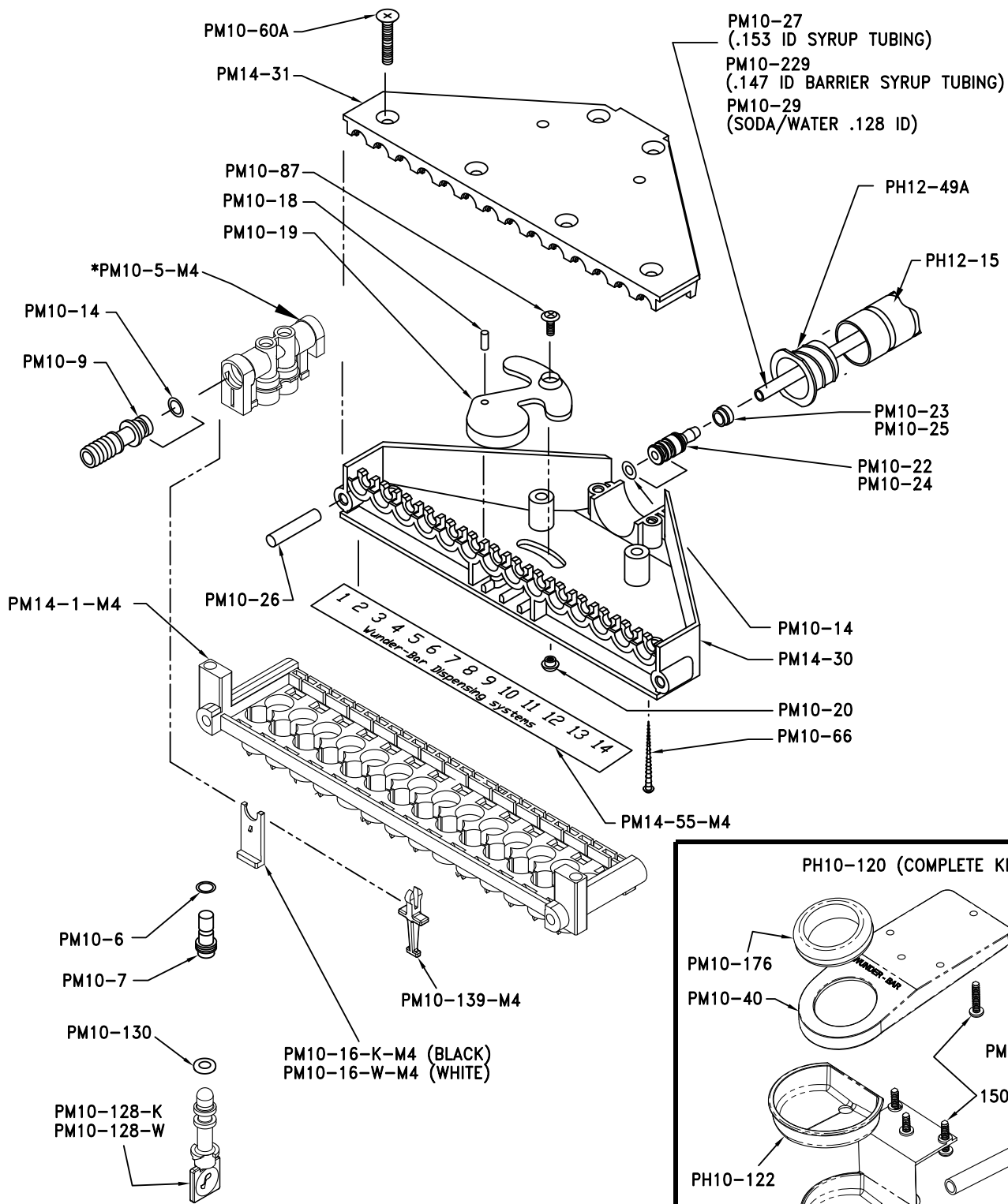
Wunder-Bar™

AUTOMATIC BAR CONTROLS, INC.
2060 CESSNA DR, SUITE 100
VACAVILLE, CA 95688

www.wunderbar.com

PHONE: (707) 448-5151
FAX : (707) 448-1521

MARK 4 12-BUTTON POST MIX MANIFOLD



*NEEDS TO BE ORDERED AS PM10-5-M4-C

Wunder-Bar™

AUTOMATIC BAR CONTROLS, INC.
 2060 CESSNA DR, SUITE 100
 VACAVILLE, CA 95688

www.wunderbar.com

PHONE: (707) 448-5151
 FAX : (707) 448-1521