

# WB-CD-1-3-SS-RCT

## RTOP-HP-420-M

FR-41-TRUSS  
#8-32 X 1/2", PHIL TRUSS HEAD

CTOP-HP-030-1  
PLUNGER CAP

CTOP-HP-021-4  
SPRING, PISTON RETURN

MTOP-HP-437  
#4-20 X 3/4" TORX, PAN HEAD

MTOP-HP-438  
SHAFT HOUSING

MTOP-HP-439  
PLUNGER SHAFT

CTOP-HP-401  
DIAPHRAGM

CD-MT-016-P  
3/8" HALF-CARTRIDGE, JG

0107-369  
NOZZLE

HS-005-P  
1/2" HALF-CARTRIDGE, JG

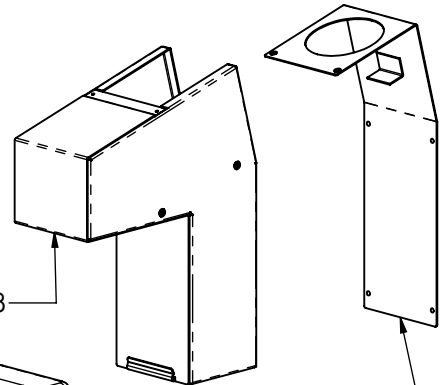
CD-SA-14  
FITTING  
1/2" STEM OD X 1/2" BARB, JG

CD-TB-03 (26" Long)  
TUBING, 1/2" ID X 3/4" OD

PM-FT-31  
HOSE CLAMP,  
21.0mm OETIKER

CD-SYS-37A  
CPC BAG-N-BOX CONNECTOR, BODY

RCT-TP-053



RCT-DP-01

RCT-TP-003

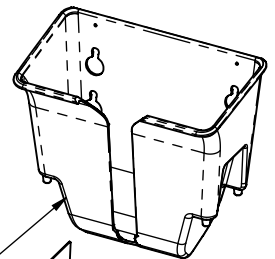
MTOP-HP-436  
DIAPHRAGM RETAINER BUTTON

CTOP-HP-238  
#8-32 X 1/2" SCREW

PM-FT-31  
HOSE CLAMP,  
21.0mm OETIKER

CD-SA-19  
CPC BAG-N-BOX CONNECTOR, CAP

21-1157-02  
BAG HOLDER



RCT-BH-001  
BASE, BAG HOLDER

CD-SA-18  
CPC SANITIZER ADAPTER

WB-CD-1-3-SS-RCT / 9 AUG 2017

AUTOMATIC BAR CONTROLS, INC.  
2060 CESSNA DR, SUITE 100  
VACAVILLE, CA 95688

# Wunder-Bar™

PHONE: (707) 448-5151  
FAX : (707) 448-1521  
WWW.WUNDERBAR.COM