

# Z40 NATURE

Despiece / Exploded view

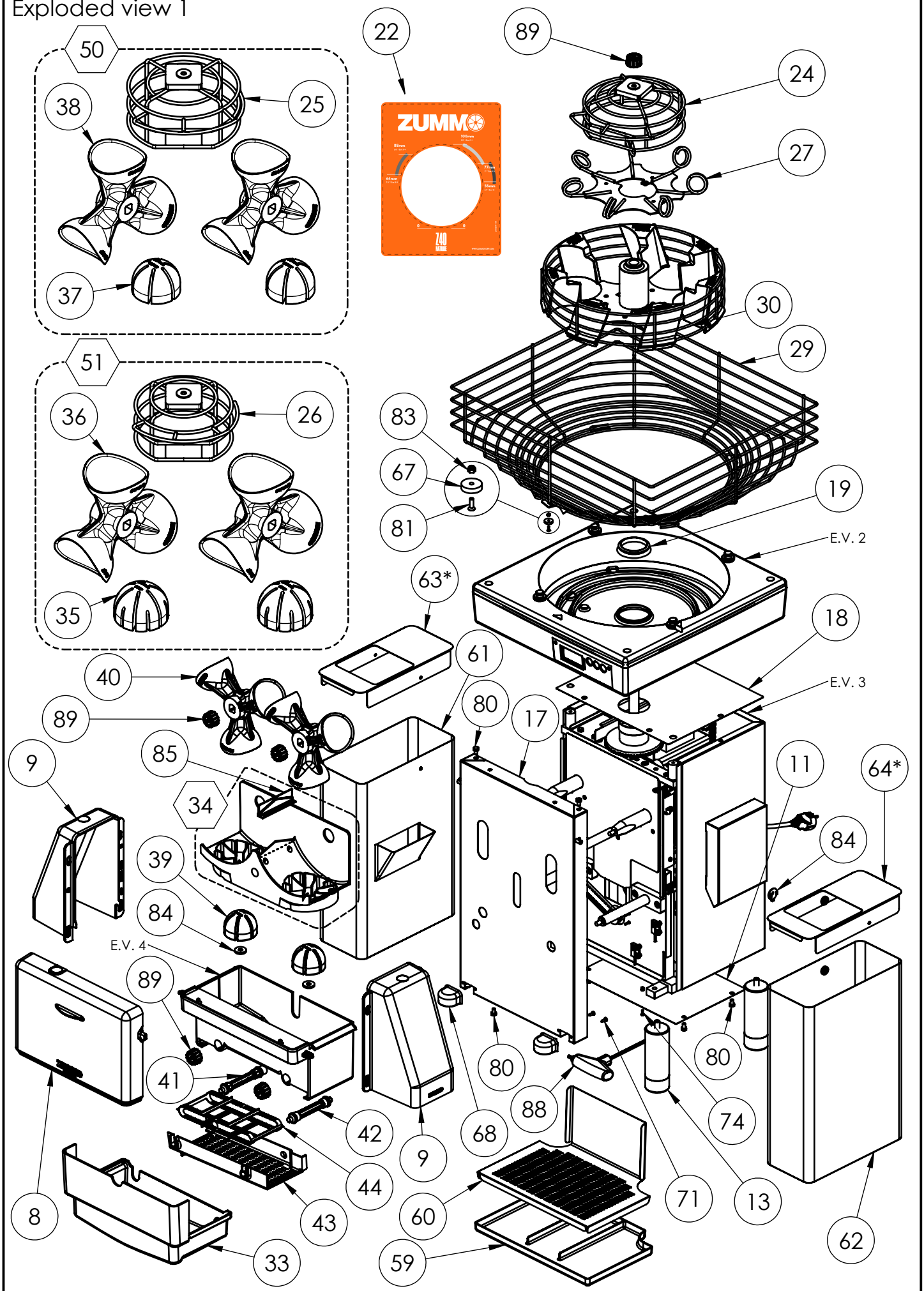
Para máquinas con nº de serie / SN  
a partir de / starting from:

2163086



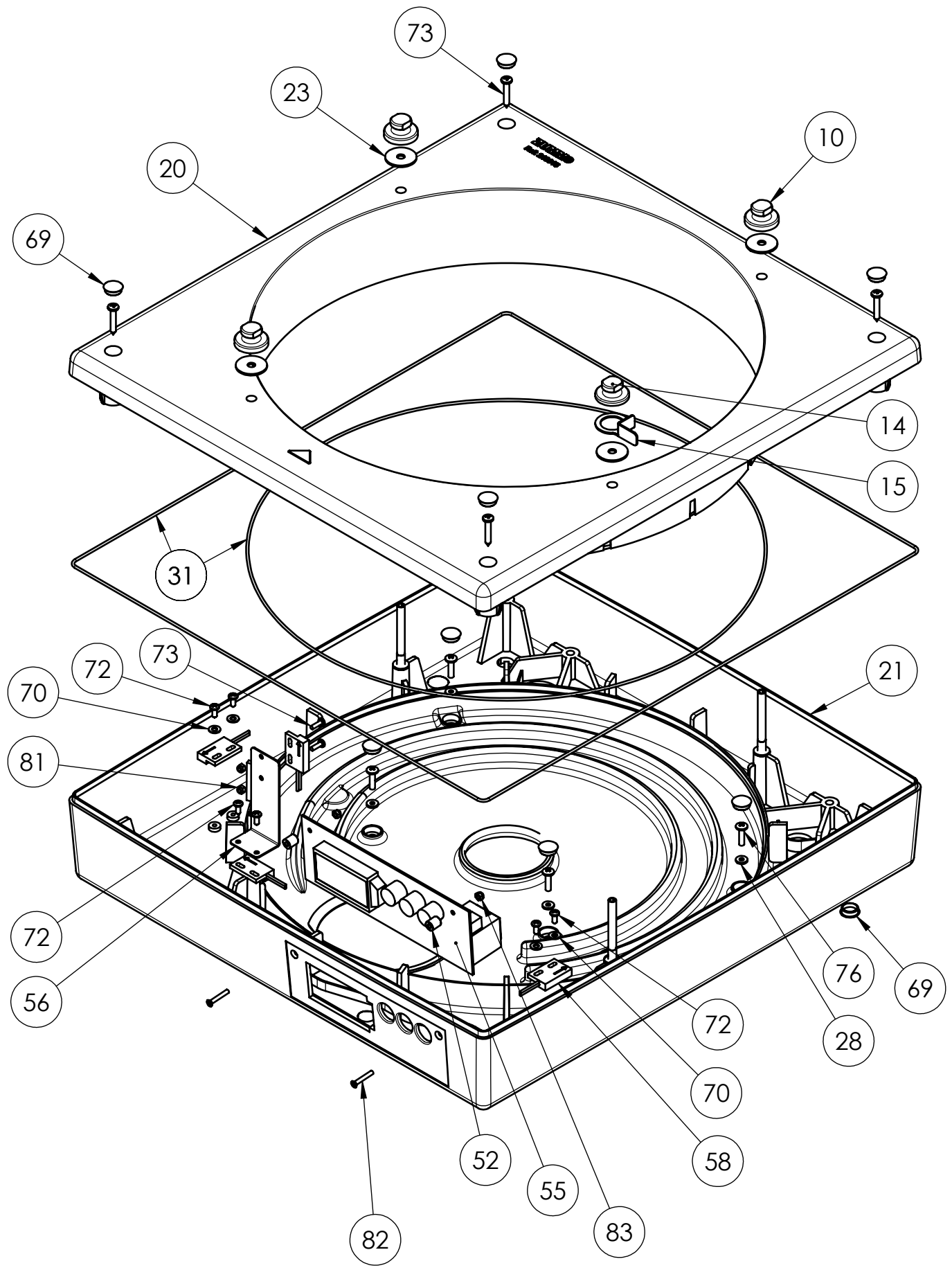
**ZUMM** 

## Exploded view 1

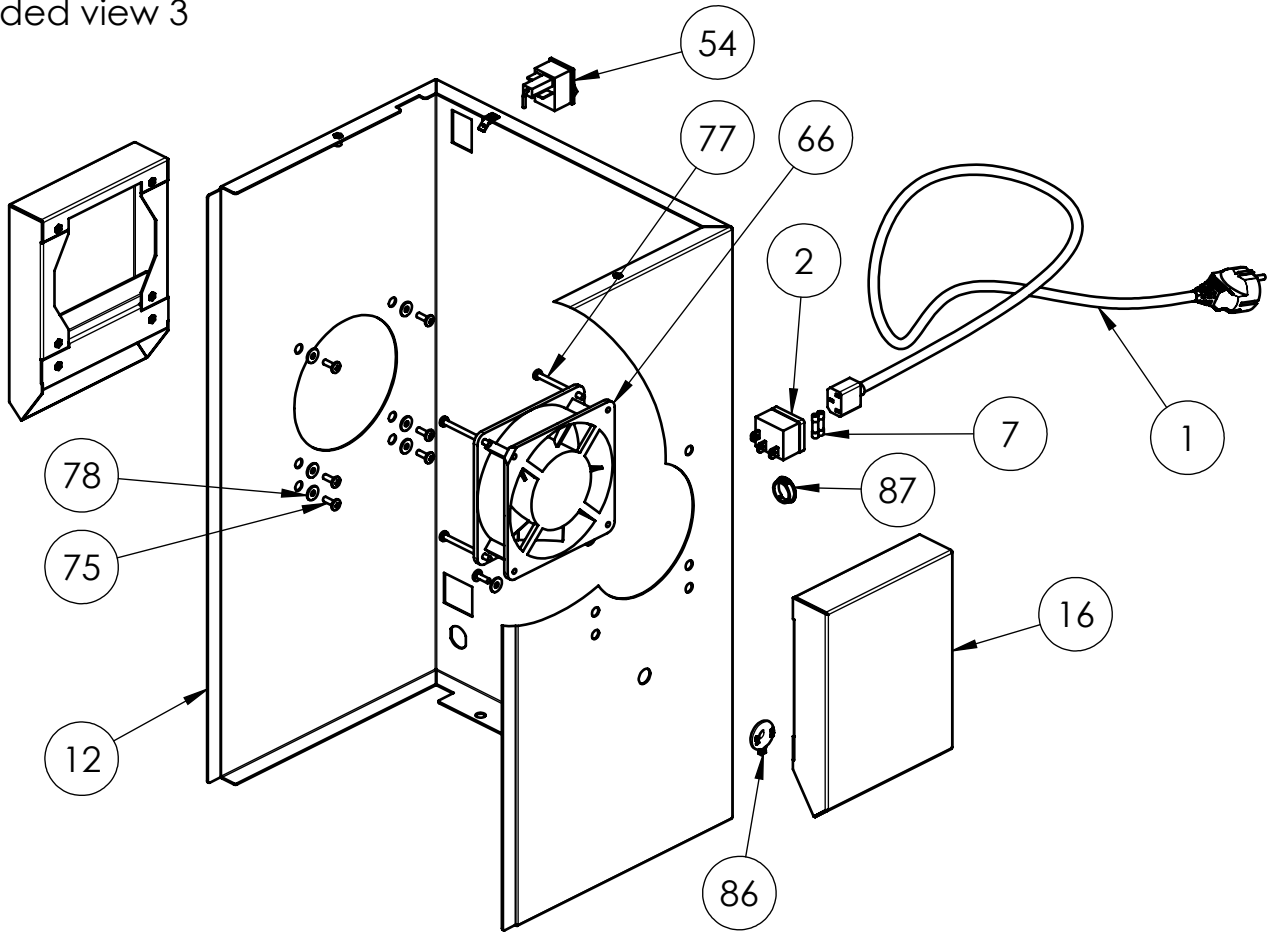


Referencia con varios componentes / Reference with several components.  
 Un solo componente / Single component.

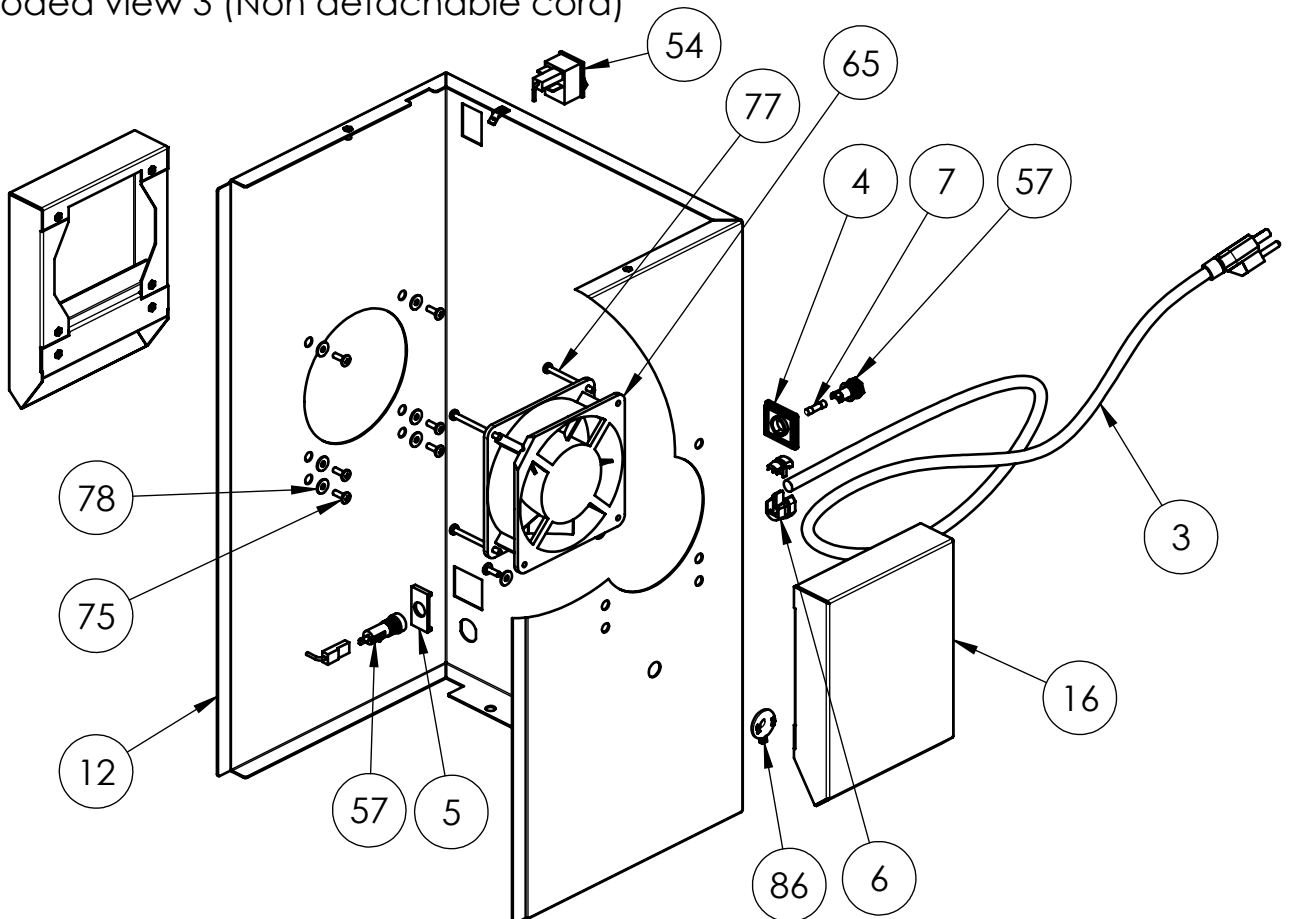
Exploded view 2



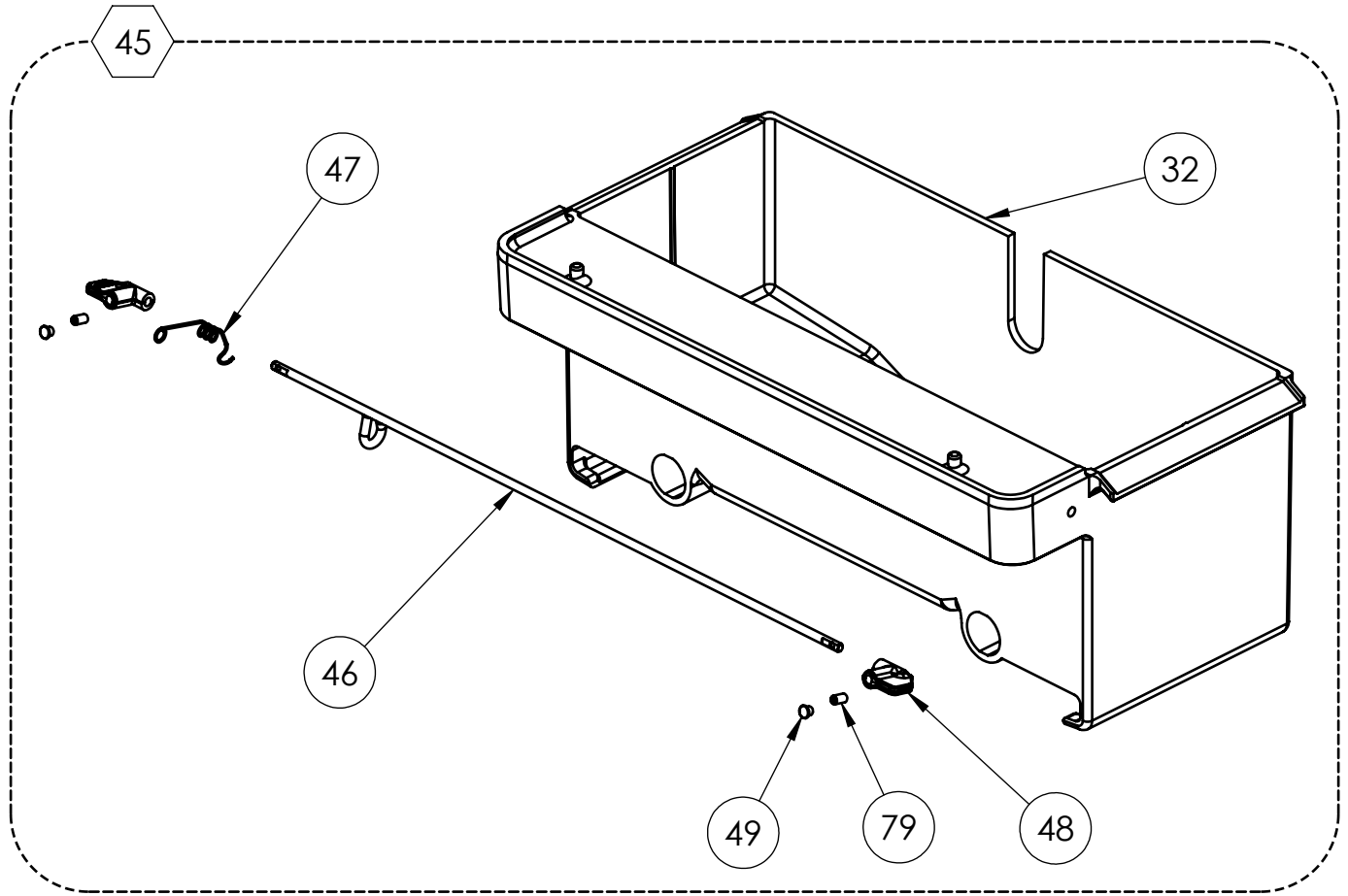
Exploded view 3



Exploded view 3 (Non detachable cord)



Exploded view 4



Marca	Denominación	Denomination	Ref.	*
1	CABLE RED (F-C13)	POWER CORD (F-C13)	0506010	1
	CABLE DE RED (G-C13)	POWER CORD (G-C13)	0506029	
	CABLE DE RED SVT (B-C13)	POWER CORD SVT (B-C13)	0506030	
	CABLE DE RED (I-C13)	POWER CORD (I-C13)	0506031	
	CABLE DE RED (J-C13)	POWER CORD (J-C13)	0506035	
	CABLE DE RED (N-C13)	POWER CORD (N-C13)	0506004	
	CABLE DE RED (H-C13)	POWER CORD (H-C13)	0506041	
	CABLE DE RED SJT (B-C13)	POWER CORD SJT (B-C13)	0506047	
2	BASE DE RED CON FUSIBLES	POWER BASE	0506014	1
3	CABLE DE RED G	POWER CORD G	0506036	1
	CABLE DE RED N	POWER CORD N	0506046	
4	TAPA PORTAFUSIBLE	FUSE-HOLDER CAP	0506026	1
5	BRIDA PORTAFUSIBLE	FUSE-HOLDER FLANGE	0506026-1	1
6	PRENSA CABLE (AGUJERO DE 19X16)	WIRE PRESS ( 19 X 16.8 MM)	0506028	1
7	FUSIBLE 5x20 F 6A	FUSE 5X20 6.3A	0506011	1
	FUSIBLE 16A UL/CSA	FUSE 16A UL/CSA	0506032	
8	CARATULA Z40 FUME	Z40 SMOKED FRONT COVER	210203A-5	1
9	LATERAL CARATULA Z40 GP	Z40 GP SIDE COVER	210204E-1	2
10	TUERCA TOLVA Z40	HOPPER NUT	210207B	3
11	TAPA BASE	BASE LID	210210C	1
12	Z40 CUERPO	Z40 MACHINE BODY	210218B	1
13	SOPORTE Z40 COMPLETO	Z40 COMPLETE MACHINE FOOT	210227	4
14	TUERCA TOLVA BLOQUEO	HOPPER BLOCK NUT	210230A	1
15	CHAPA BLOQUEO TOLVA	HOPPER BLOCK SHEET	210231	1
16	KIT AIREACION	AERATION KIT	210237A	2
17	SUBCONJUNTO FRENTE Z40 NATURE	Z40 NATURE SUBSET FRONT	210239A	1
18	APANTALLAMIENTO Z40 2.0	SCREEN PLATE Z40 2.0	210240	1
19	RETEN V RING VS 060	RING GASKET	210313	1
20	Z40 PISTA TOLVA TAPA GP	Z40 GP HOPPER TRACK LID	210315A-1	1
21	Z40 PISTA TOLVA BASE GP	Z40 GP HOPPER TRACK BASE	210316A-1	1
22	CALIBRADOR Z40 NATURE	Z40 NATURE GAUGE	210329-1-18	1
23	ARANDELA TÈCHO Z40	WASHER SQUEEZER TOP 40	210337	4
24	SEPARADOR MEDIANO Z40	REGULAR FRUIT CLASSIFIER	210345A	1
25	SEPARADOR GRANDE Z40	LARGE FRUIT CLASSIFIER	210346A	1
26	SEPARADOR EXTRA GRANDE Z40	EXTRA-LARGE FRUIT CLASSIFIER	210347A	1
27	SEPARADOR INFERIOR Z40	Z40 LOWER SEPARATOR	210348	1
28	JUNTA D9x3,5x1,5	D9/3.5X1.5 SEAL	210350	4
29	CESTA EXTERIOR COMPLETA	COMPLETE EXTERNAL BASKET	210352	1
30	CESTA COMPLETA Z40 GP	Z40 GP COMPLET INNER BASKET	210354A-1	1
31	HILO TORICO Ø2MM	O-RING CORD 2MM	210362	2
32	Z40 BANDEJA EXPRIMIDO GP	Z40 GP SQUEEZER TRAY	210505C-1	1
33	BANDEJA FILTRO Z40 GP	Z40 GP FILTER TRAY	210506D-1	1
34	CUCHILLA COMPLETA Z40 GP	Z40 GP BLADE	210507B-1	1
35	BOLA EXTRA GRANDE Z40	Z40 EXTRA LARGE BALL	210510	2
36	COPA EXTRA GRANDE Z40	Z40 EXTRA LARGE CUP	210511	2
37	BOLA GRANDE Z40	Z40 LARGE BALL	210512	2
38	COPA GRANDE Z40	Z40 LARGE CUP	210513	2
39	BOLA MEDIANA Z40	Z40 REGULAR BALL	210514	2
40	COPA MEDIANA Z40	Z40 REGULAR CUP	210515	2
41	EJE MOTRIZ FILTRO	FILTER'S DRIVE SHAFT	210516A	1
42	EJE CONDUCIDO FILTRO	FILTER'S DRIVEN SHAFT	210517A	1
43	FILTRO Z40 GP	Z40 GP FILTER	210518A-1	1
44	RASQUETA FILTRO	FILTER PULP SCRAPER	210519-1	1
45	BANDEJA DE EXPRIMIDO COMPLETA Z40 GP	Z40 GP SQUEEZING TRAY	210530C-1	1
46	EJE BANDEJA EXPRIMIDO	SQUEEZER TRAY SHAFT	210531A	1
47	MUELLE BANDEJA EXPRIMIDO	SQUEEZER TRAY SPRING	210532	1
48	Z40 POMO BANDEJA EXPRIMIDO GP	Z40 GP SQUEEZER TRAY KNOB	210533A-1	2
49	Z40 TAPON POMO BANDEJA EXPRIMIDO GP	Z40 GP SQUEEZER TRAY KNOB CAP	210534A-1	2
50	KIT DE EXPRIMIDO GRANDE Z40 2.0 (64-88)	LARGE Z40 2.0 SQUEEZING KIT (64-88)	210536	1
51	KIT DE EXPRIMIDO EXTRA-GRANDE Z40 2.0 (77-100)	EXTRA LARGE Z40 2.0 SQUEEZING KIT (77-100)	210537	1
52	SEPARADOR PLACA	CPU SEPARATOR	210603	2
53	SERIGRAFIA CPU Z40	Z40 CPU SERIGRAPHY	210604B	1
54	INTERRUPTOR RED IP65	ROCKER SWITCH IP65	210616	1
55	PLACA CONTROL Z40	Z40 CIRCUIT BOARD	210618-1	1
56	SOPORTE SENSOR TOLVA	BASKET SENSOR HOLDER	210626	1
57	PORTAFUSIBLE 5X20 16A IP67	FUSEHOLDER 5X20 16A IP67	210632	1
58	SENSOR MAGNETICO	MAGNETIC SENSOR	210633	4
59	BANDEJA GOTEO Z40 GP	Z40 GP DRIP TRAY	210803A-1	1
60	REJILLA GOTEO Z40	Z40 DRIP GRID	210804A	1
61	CUBETA IZQUIERDA COMPLETA Z40 INOX	Z40 INOX COMPLETE LEFT CONTAINER	210826	1
	CUBETA IZQUIERDA <i>solo modelos EEUU</i>	LEFT CONTAINER <i>USA models only</i>	210830	
62	CUBETA DERECHA COMPLETA Z40 INOX	Z40 INOX COMPLETE RIGHT CONTAINER	210827	1
	CUBETA DERECHA <i>solo modelos EEUU</i>	RIGHT CONTAINER <i>USA models only</i>	210831	
63	TAPA CUBETA IZQUIERDA <i>solo modelos EEUU</i>	LID LEFT CONTAINER <i>USA models only</i>	210833	1
64	TAPA CUBETA DERECHA <i>solo modelos EEUU</i>	LID RIGHT CONTAINER <i>USA models only</i>	210834	1
65	MOTOVENTILADOR 120X120 115V 60Hz	FAN MOTOR 120X120 115V 60Hz	1201016	1

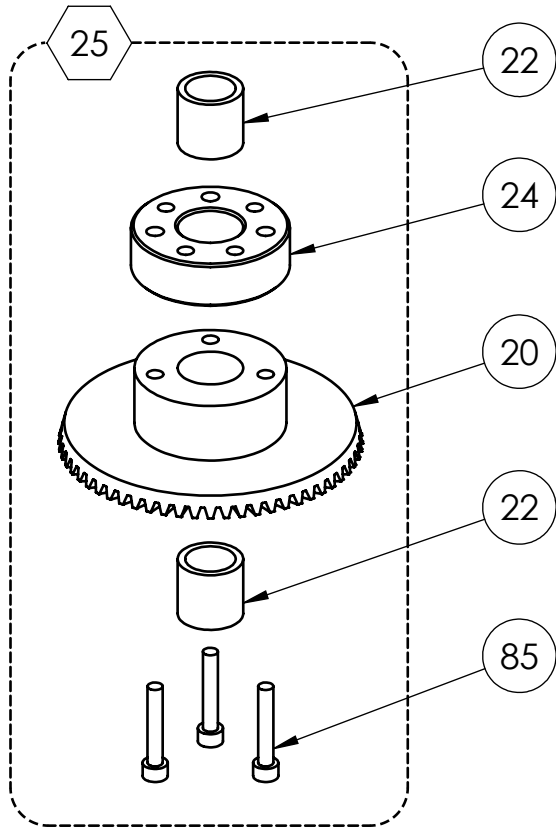
66	MOTOVENTILADOR 120X120 230V 50Hz	FAN MOTOR 120X120 230V 50Hz	1201019	1
67	ANILLO MAGNÉTICO	RING MAGNETIC UNIT	1503002	1
68	TAPA SOPORTES	SUPPORTS CAP	2/15	2
69	TAPON GRAFITO	GRAPHITE CAP	3/9/1N	10
70	INOX. ARANDELA PLANA M4 DIN-125	STAINLESS STEEL WASHER M4	I-125-M4	6
71	TORN. PHILLIPS ROSCA CHAPA Ø3,9x13 DIN-7981	S. STEEL CROSS RECESSED SCREW Ø3,9x13 DIN-7981	I-7981-D3,9x13	4
72	TORN. PHILLIPS ROSCA CHAPA Ø3,5x9,5 DIN-7981	S. STEEL CROSS RECESSED SCREW Ø3,9x9,5 DIN-7981	I-7981-Ø3,5x9,5	6
73	INOX. TOR. ROSCA CHAPA 4.2X25 DIN-7981	S. STEEL RECESSED SCREW Ø4,2x25 DIN-7981	I-7981-Ø4.2x25	4
74	TORNILLO M3X10 DIN-7985	S. STEEL CROSS RECESSED RAISED CHEESE HEAD SCREW M3X10	I-7985-M3x10	3
75	INOX. TORNILLO M4X12 DIN-7985	S. STEEL CROSS RECESSED RAISED CHEESE HEAD SCREW M4X12	I-7985-M4x12 Esp.	8
76	INOX.TORNILLO ALOMADO M4X16 DIN-7985	S. STEEL CROSS RECESSED RAISED CHEESE HEAD SCREW M4X16	I-7985-M4x16	4
77	INOX. TORNILLO M4X50 DIN-7985	S. STEEL CROSS RECESSED RAISED CHEESE HEAD SCREW M4X50	I-7985-M4x50	4
78	ARAND.PLANA ANCHA M4 DIN-9021	S. STEEL WASHER DIN-9021 M4	I-9021-M4	8
79	INOX. ESP.ALLEN P. HUECA M4X8	S. STEEL HEXAGON SOCKET SET SCREWCUP POINT M4X8	I-916-M4x8	2
80	INOX. TOR. HEXAGONAL M6X10 DIN-933	S. STEEL HEXAGON HEAD SCREW M6X10	I-933-M6x10	10
81	INOX. TORNILLO AVELL. M3X10 DIN-965	S. STEEL CROSS RECESSED COUNTERSUNK HEAD SCREW M3X10	I-965-M3X10	1
82	INOX. TORN AVELL M3X20 DIN 965	S. STEEL CROSS RECESSED COUNTERSUNK HEAD SCREW M3X20	I-965-M3X20	2
83	INOX. TUERCA FRENO M3 DIN-985	S.STEEL PREVAILING TORQUE HEXAGON NUT M3	I-985-M3	5
84	ARANDELA SUPLEMENTO BOLA	JUICETRAY WASHER	V0133	2
85	PROTECCION CUCHILLA	BLADE PROTECTION	V0193	1
86	TAPON D12	D12 PLUG	V0229	1
87	TAPON PLASTICO D19	BLANKING PLUG D19	V0250	1
88	LLAVE ALLEN T 5X115	T ALLEN HEX KEY 5X115	V0266	1
89	TUERCA GP	GP FASTENING NUT	V0293A-1	5

\* Numero de piezas por máquina/Number of parts per machine

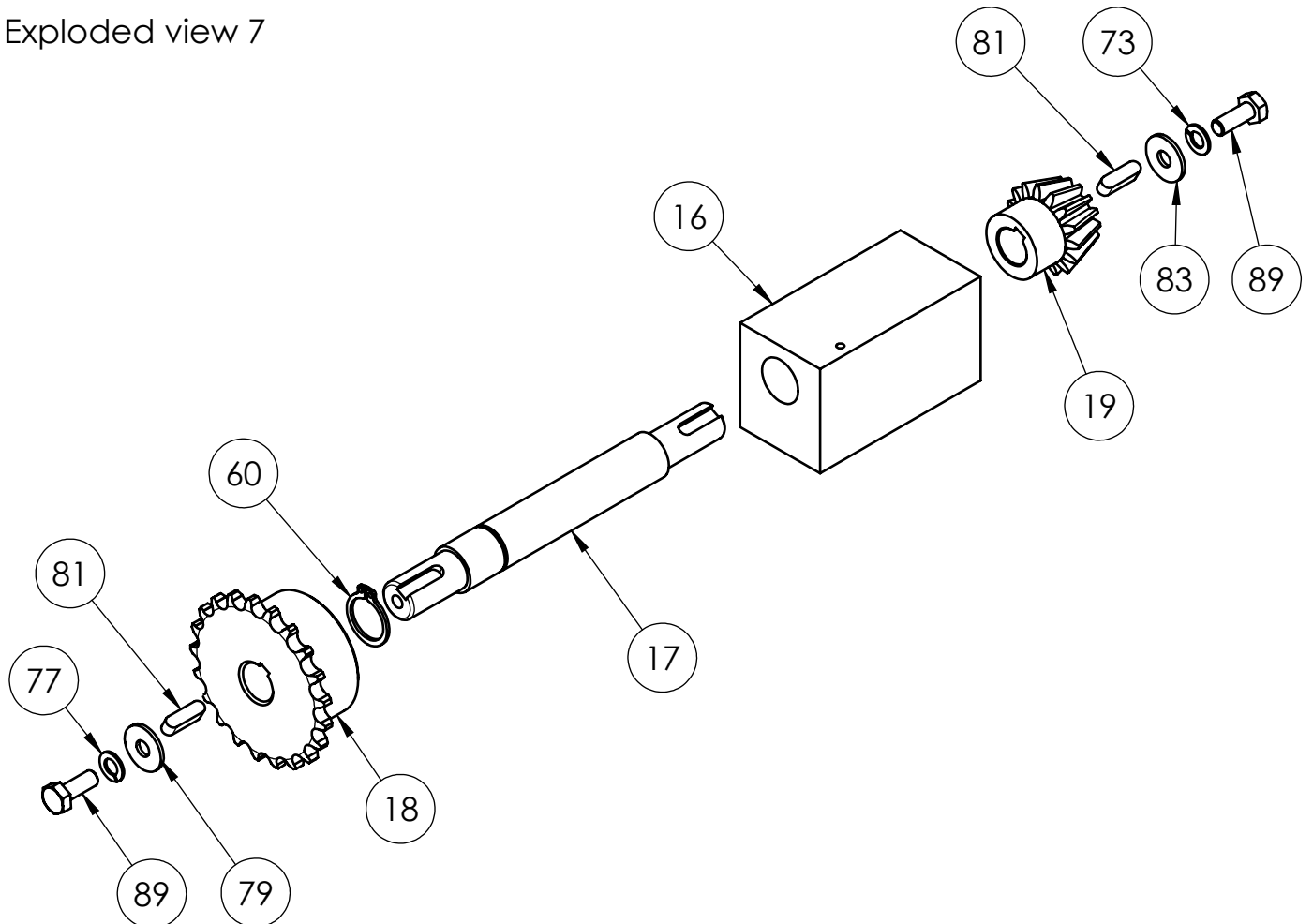
Importante: Cada referencia corresponde a una unidad.  
Important: Each reference corresponds to one unit.



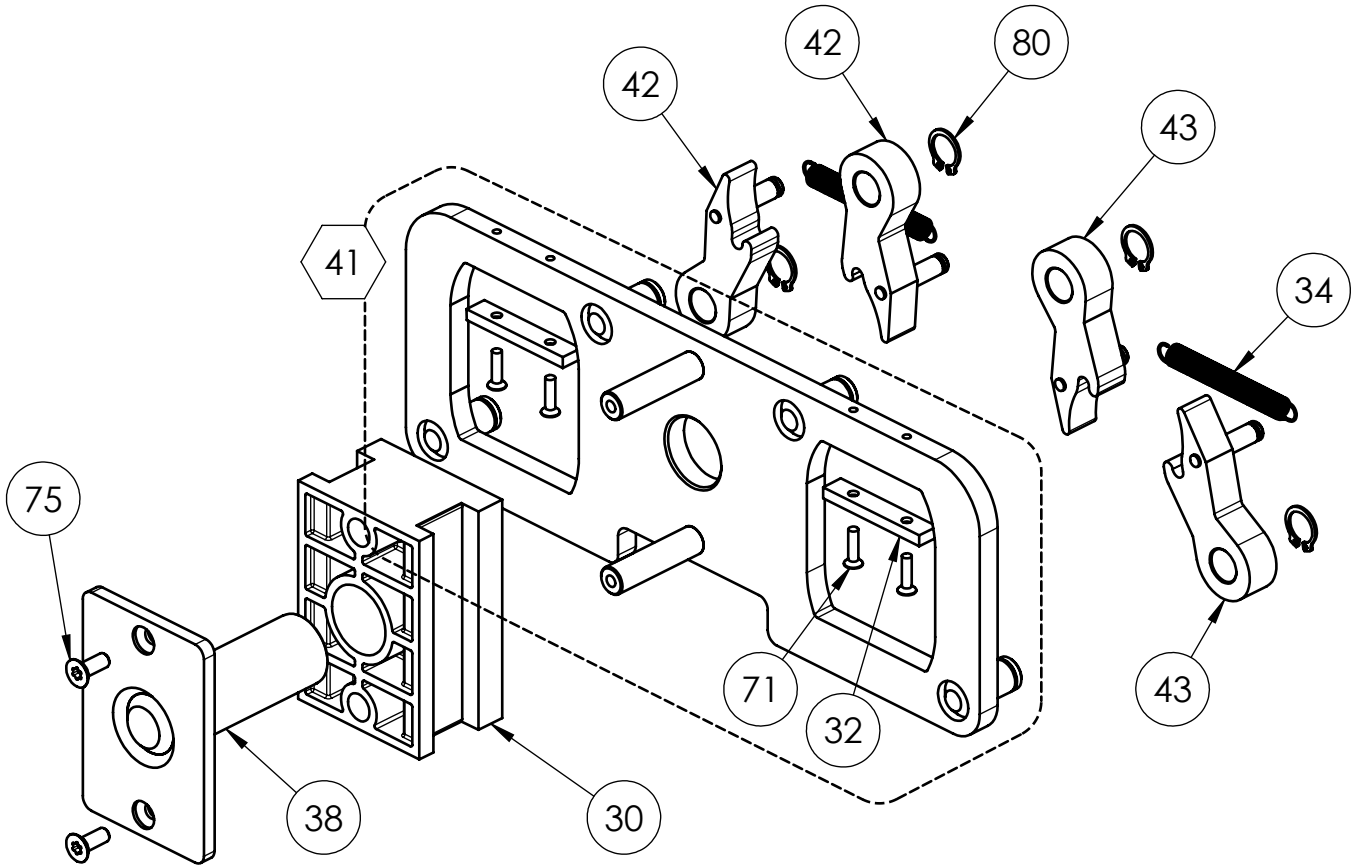
Exploded view 6



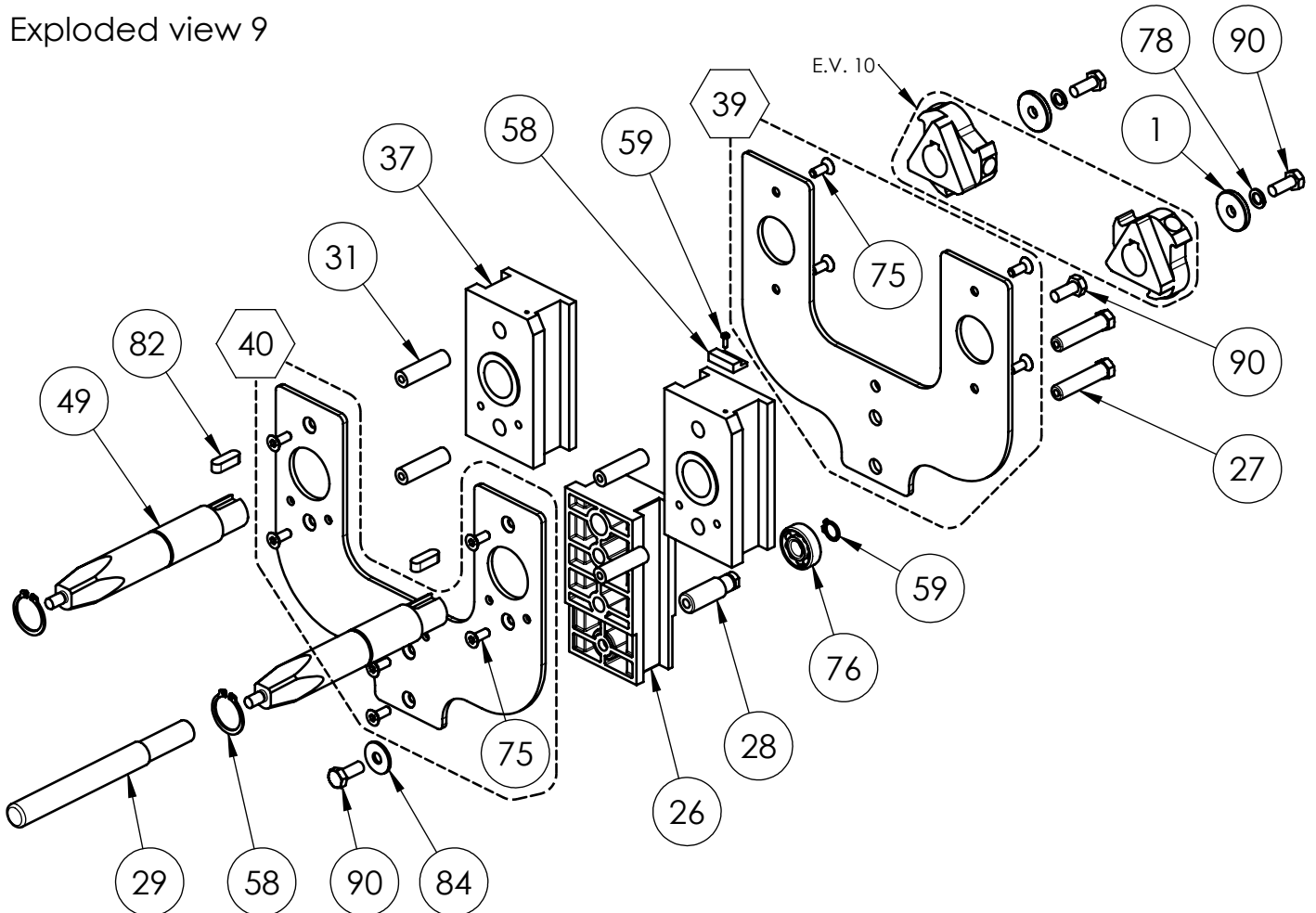
Exploded view 7



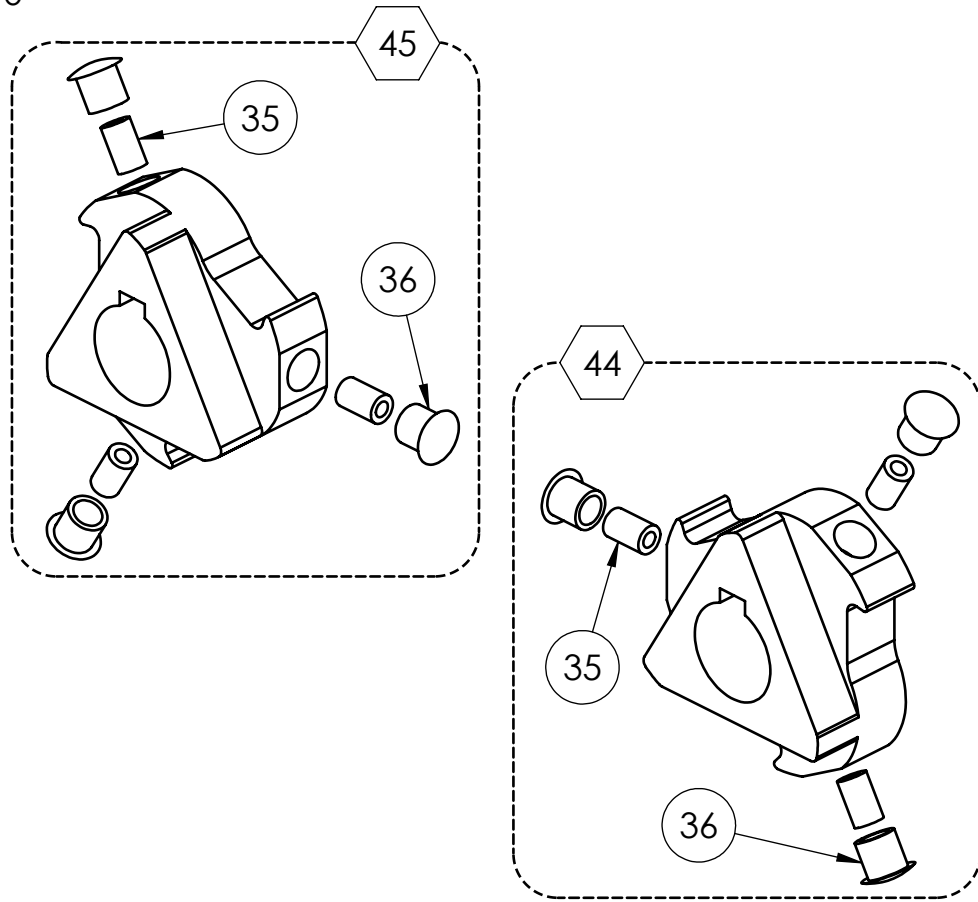
Exploded view 8



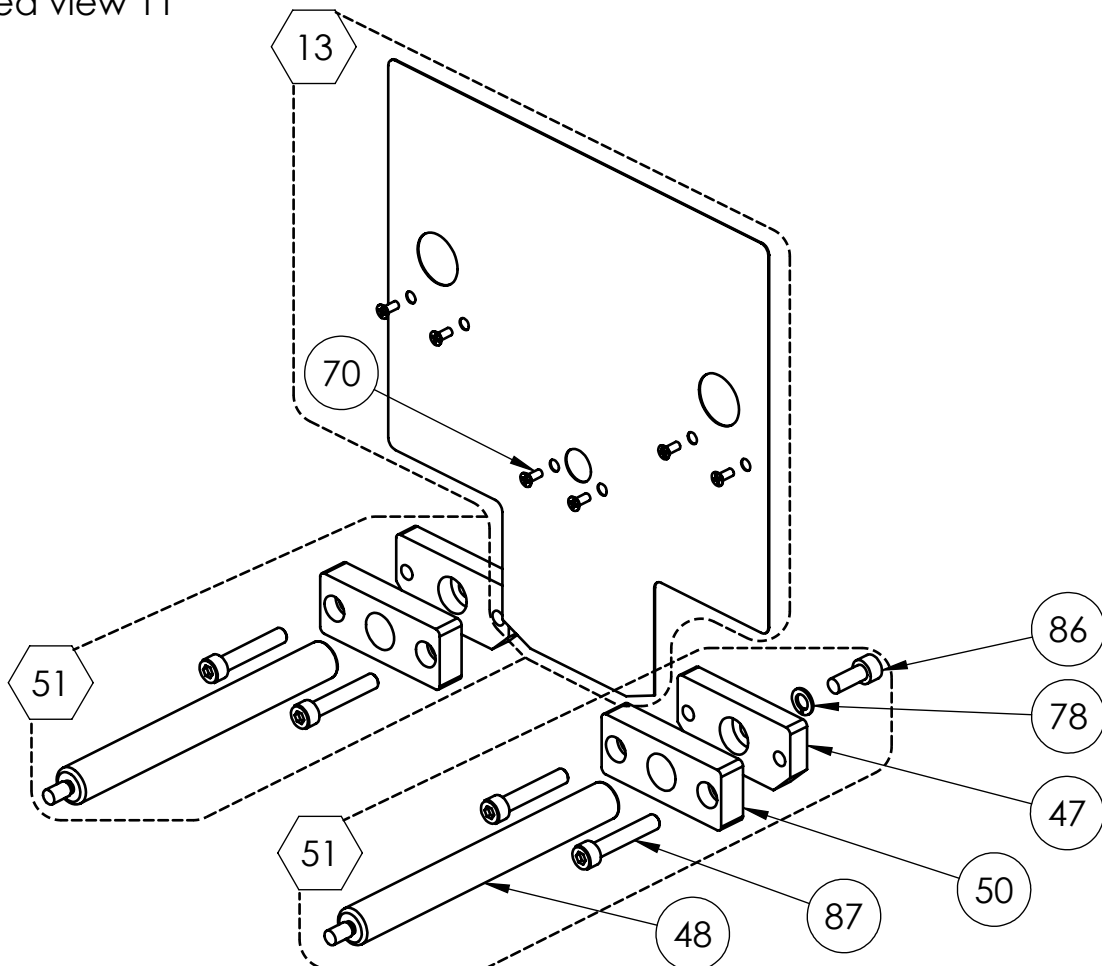
Exploded view 9



Exploded view 10



Exploded view 11



Marca	Denominación	Denomination	Ref.	*
1	ARANDELA BULÓN Y PIÑONES	BOLT & PINIONS WASHER	0504007	2
2	POLEA 16XL 025	PULLEY 16XL 025	0504032	1
3	POLEA MOTOR FILTRO 16XL 025	FILTER MOTOR PULLEY 16XL 025	0504033	1
4	ARANDELA POLEA MOTOR Ø15.1	PULLEY MOTOR WASHER Ø15.1	0504034-1	1
5	ARANDELA POLEA MOTOR Ø18.1	PULLEY MOTOR WASHER Ø18.1	0504034-2	1
6	ARANDELA POLEA MOTOR	PULLEY MOTOR WASHER	0504034-3	1
7	CHASIS	CHASIS	210101	1
8	CIERRE CHASIS Z40	Z40 CHASIS LOCKING	210105	1
9	EJE POLEA FILTRO	PULLEY FILTER SHAFT	210208	1
10	PROTECCIÓN LATERAL IZQUIERDA	LHS LATERAL PROTECTION	210223	1
11	PROTECCION INFERIOR	UNDERSIDE PROTECTION	210224D	1
12	PROTECCION LATERAL DERECHA	RHS LATERAL PROTECTION	210228B	1
13	CONJUNTO CUBRECORREDERAS	SET SLIDE COVER	210229A	1
14	APOYO PIÑONES	PINION BACKING	210301	1
15	SOPORTE PIÑONES	PINION SUPPORT	210302	1
16	COJINETE PIÑONES	PINION BEARING	210303	1
17	EJE PIÑONES	PINION SHAFT	210304	1
18	PIÑÓN SUPERIOR	UPPER PINION	210307	1
19	PIÑÓN CONICO	CONICAL PINION	210308	1
20	CORONA CÓNICA	CONICAL CROWN	210309	1
21	ARANDELA BASE CORONA	CROWN WHEEL BASE WASHER	210311	1
22	COJINETE AUTO-LUBRICANTE	SELF-LUBRICATING BEARING	210312	2
23	CADENA RODILLOS SIMPLE	CHAIN	210323	1
24	CABEZA CORONA D63	CROWN WHEEL HEAD	210341	1
25	CONJUNTO CORONA	SET CONICAL CROWN	210353	1
26	CORREDERA CUCHILLA MECANIZADA	BLADE SLIDE	210412	1
27	BULON CORREDERA CUCHILLA	BLADE SLIDE BOLT	210413	2
28	EJE RODAMIENTO	BEARING SHAFT	210414	1
29	EJE CUCHILLA	BLADE SHAFT	210415	1
30	CORREDERA EMPUJADOR MECANIZADA	PUSHER SLIDE	210416	1
31	BULON CORREDERA COPA	CUP SLIDE BOLT	210427	4
32	SUPLEMENTO CHAPA EMPUJADORA	PUSHER PLATE SUPPLEMENT	210430A	2
33	ARANDELA BULON CORREDERA	SLIDE BOLT WASHER	210432	1
34	MUELLE TRINQUETE	RATCHET SPRING	210433	2
35	GOMA TRINQUETE	RATCHET INSULATION RUBBER	210434	6
36	TAPÓN TRINQUETE	STOPPER HP10	210435	6
37	CORREDERA COPA	CUP SLIDE	210437	2
38	CONJUNTO BULÓN EMPUJADOR	PUSHER BOLT SET	210444	1
39	CONJUNTO CHAPA UNION INTERIOR	SET INSIDE JOINT PLATE	210445	1
40	CONJUNTO CHAPA EXTERIOR	SET OUTSIDE JOINT PLATE	210446	1
41	CONJUNTO CHAPA EMPUJADORA	SET PUSHER PLATE	210447	1
42	CUÑA IZQUIERDA	LEFT WEDGE	210448A	2
43	CUÑA DERECHA	RIGHT WEDGE	210449A	2
44	CONJUNTO TRINQUETE DERECHO	SET RIGHT RATCHET	210450	1
45	CONJUNTO TRINQUETE IZQUIERDA	SET LEFT RATCHET	210451	1
46	CORREA 134XL 025	134 XL 025 BELT	210455	1
47	PLETINA TRASERA EJE BANDEJA	REAR FLAT BAR	210502	2
48	EJE BANDEJA	TRAY SHAFT	210503	2
49	EJE COPA	CUP SHAFT	210504A	2
50	PLETINA DELANTERA EJE BANDEJA	FRONT SHAFT	210527B	2
51	CONJUNTO EJE BANDEJA	SET TRAY SHAFT	210529	2
52	PLACA POTENCIA Z40 CON BARNIZ	Z40 POWER BOARD WITH VARNISH	210617-1	1
53	CAJA ALIMENTACION MECANIZADA	POWER BOARD ENCLOSURE	210625	1
54	SOPORTE CAJA ALIMENTACION	POWER SUPPLY BOX SUPPORT	210627	1
55	PRENSACABLES M16	WIRE PRESS M16	210628	2
56	SEPARADOR D3.2x8x5	D3.2X8X4 SEPARATOR	210630	4
57	SENSOR MAGNETICO	MAGNETIC SENSOR	210633	5
58	UNIDAD MAGNETICA	MAGNETIC UNIT	1009070	1
59	ANILLO DE SEGURIDAD Ø12 DIN-471 INOX.	S. STEEL RETAINING RING FOR SHAFT Ø12	I-471-E12	1
60	ANILLO DE SEGURIDAD Ø18 DIN-471 INOX.	S. STEEL RETAINING RING FOR SHAFT Ø18	I-471-E18	1
61	ANILLO DE SEGURIDAD Ø20 DIN-471 INOX.	S. STEEL RETAINING RING FOR SHAFT Ø20	I-471-E20	1
62	ANILLO DE SEGURIDAD Ø28 DIN-471 INOX.	S. STEEL RETAINING RING FOR SHAFT Ø28	I-471-E28	2
63	TORN. PHILLIPS ROSCA CHAPA Ø2,9x9,5 DIN-7981	S. STEEL CROSS RECESSED SCREW Ø2,9x9,5 DIN-7981	I-7981-Ø2,9x9,5	1
64	TORNILLO M3X10 DIN-7985	S. STEEL CROSS RECESSED RAISED CHEESE HEAD SCREW M3X10	I-7985-M3x10	3
65	TORNILLO M4X8 DIN-7985	S. STEEL CROSS RECESSED RAISED CHEESE HEAD SCREW M4X8	I-7985-M4x8	4
66	ARAND.PLANA ANCHA M3 DIN-9021	S. STEEL WASHER DIN-9021 M3	I-9021-M3	4
67	INOX. TOR. ALLEN M4X10 DIN-912	S. STEEL HEXAGON SOCKET HEAD CAP SCREW M4X10	I-912-M4x10	2
68	INOX. TOR. ALLEN M8X20 DIN-912 INOX.	S. STEEL HEXAGON SOCKET HEAD CAP SCREW M8X20	I-912-M8x20	6
69	TORNILLO HEXAG. M6X10 DIN-933	S. STEEL HEXAGON HEAD SCREW M6X10	I-933-M6x10	2
70	TORN. PHILLIPS CAB. AVELL. M4x10 DIN-965 INOX.	S. STEEL CROSS RECESSED COUNTERSUNK HEAD SCREW M4X10	I-965-M4X10	6

71	TORN. PHILIPS CAB. AVELL. M4x16 DIN-965 INOX.	S. STEEL CROSS RECESSED COUNTERSUNK HEAD SCREW M4X16	I-965-M4X16	4
72	TUERCA AUTOSEGURO INOX. M3 DIN-985	S. STEEL PREVAILING TORQUE HEXAGON NUT M3	I-985-M3	8
73	TUERCA AUTOSEGURO INOX. M4 DIN-985	S. STEEL PREVAILING TORQUE HEXAGON NUT M4	I-985-M4	2
74	TUERCA AUTOSEGURO INOX. M6 DIN-985	S. STEEL PREVAILING TORQUE HEXAGON NUT M6	I-985-M6	2
75	INOX. TOR. AVELLANADO DIN-7991 TORX M6X16 A2	S. STEEL COUNTERSINK SCREW DIN-7991 TORX M6X16 A2	I-TORX-7991- M6x16	12
76	RODAMIENTO REF. 6201ZZ	BALLS-BEARING 6201ZZ	ROD. 6201ZZ	1
77	ARANDELA GROWER M6 DIN-127	SPRING LOCK WASHER M6	T-127-M6	3
78	ARANDELA GROWER M8 DIN-127	SPRING LOCK WASHER M8	T-127-M8	6
79	PASADOR ESTRIADO Ø8x25 DIN-1473	FLUTED BOLT Ø8x25 DIN-1473	T-1473-Ø8x25	2
80	ANILLO DE SEGURIDAD Ø14 DIN-471	SAFETY RING E-18 DIN-471	T-471-E14	4
81	CHAVETA 5X5X18 DIN-6885A	COTTER 5X5X18 DIN-6885A	T-6885A-5x5x18	2
82	CHAVETA 8X7X25 DIN-6885A	COTTER 8X7X25 DIN-6885A	T-6885A-8x7x25	2
83	ARAND.PLANA ANCHA M6 DIN-9021	S. STEEL WASHER DIN-9021 M6	T-9021-M6	6
84	ARAND.PLANA ANCHA M8 DIN-9021	S. STEEL WASHER DIN-9021 M8	T-9021-M8	1
85	TOR. ALLEN M6X35 DIN-912	HEXAGON SOCKET HEAD CAP SCREW M6X35	T-912-M6x35	3
86	TORNILLO DIN-912 M8X20 (12.9) NEGRO PAVON	BLACK SCREW DIN-912 M8X20 (12.9)	T-912-M8x20 (12.9)	2
87	TOR. ALLEN M8X45 DIN-912	HEXAGON SOCKET HEAD CAP SCREW M8X45	T-912-M8x45	4
88	TOR. ALLEN M8x70 DIN-912 CALIDAD 12.9	HEXAGON SOCKET HEAD CAP SCREW M8X70 (CAL 12.9)	T-912-M8x70	4
89	TORNILLO HEXAG. M6X16 DIN-933	S. STEEL HEXAGON HEAD SCREW M6X16	T-933-M6x16	8
90	TORNILLO HEXAG. M8X20 DIN-933	S. STEEL HEXAGON HEAD SCREW M8X20	T-933-M8x20	7
91	TORNILLO HEXAG. M8X35 DIN-933	S. STEEL HEXAGON HEAD SCREW M8X35	T-933-M8x35	2
92	TUERCA HEXAG. M6 DIN-934	S. STEEL HEXAGON NUT M6	T-934-M6	1
93	TUERCA HEXAG. M8 DIN-934	S. STEEL HEXAGON NUT M8	T-934-M8	2
94	SOPORTE LLAVE ALLEN 3MM	3MM ALLEN KEY SUPPORT	V0184	2

\* Numero de piezas por máquina/Number of parts per machine

Importante: Cada referencia corresponde a una unidad.  
Important: Each reference corresponds to one unit.

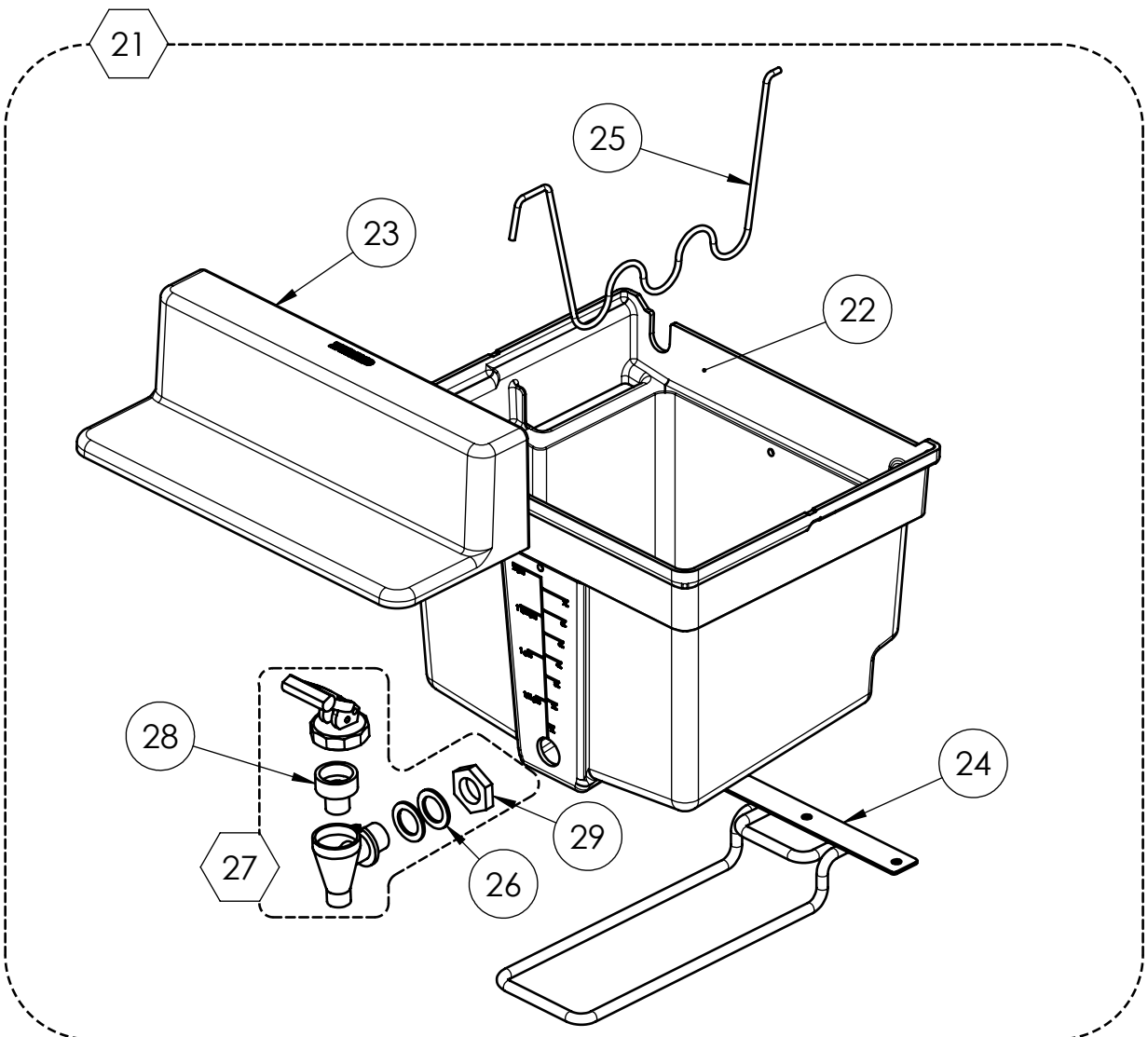
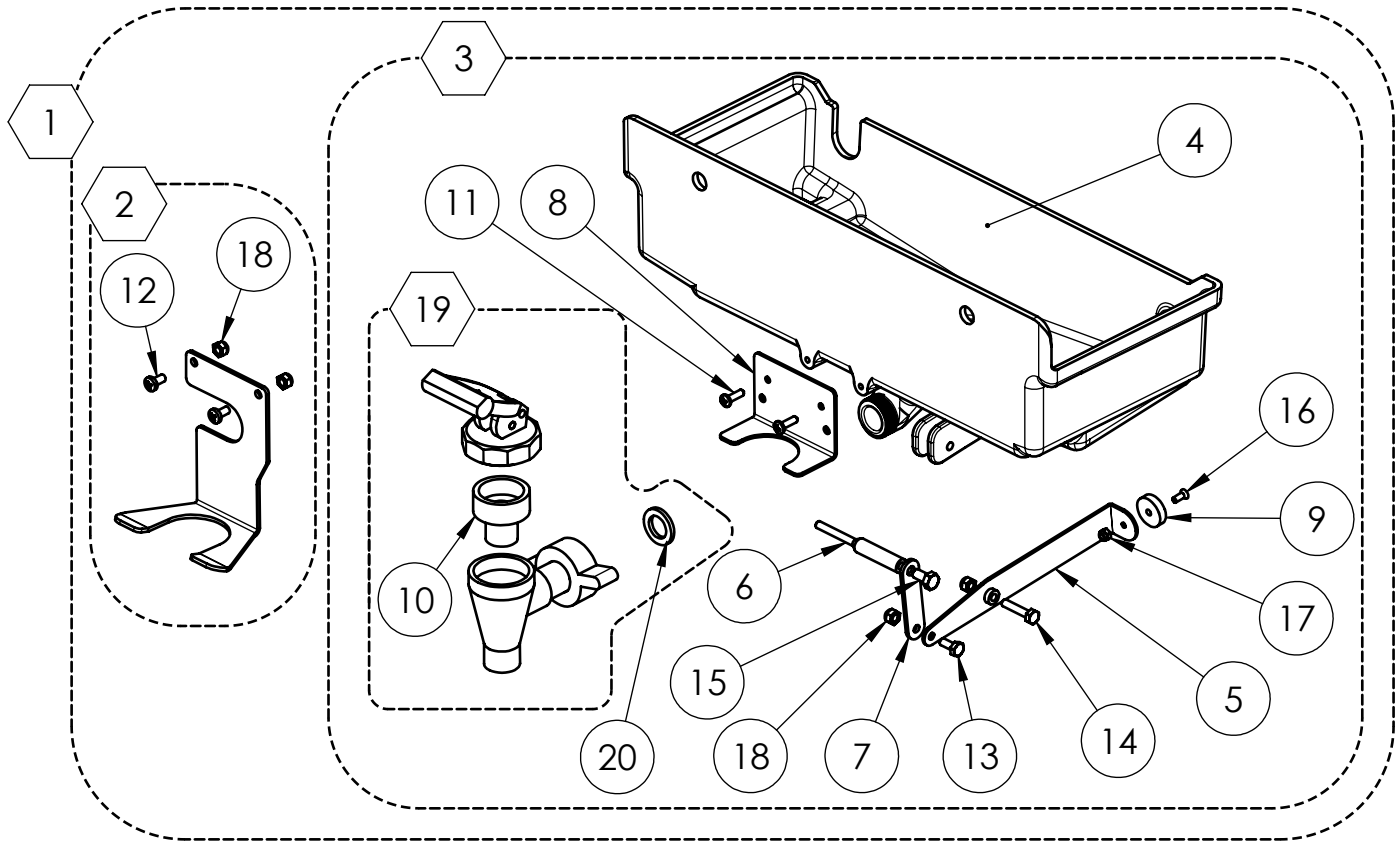


Marca	Denominación	Denomination	Ref.	*
1	ARANDELA BULON Y PIÑONES	BOLT & PINIONS WASHER	0504007	1
2	PIÑON INFERIOR	LOWER PINION	210305	1
3	POLEA MOTOR 10L (60Hz)	MOTOR PULLEY 10 L (60 Hz)	210406	1
	POLEA MOTOR 12L (50Hz)	MOTOR PULLEY 12L (50Hz)	210407	
4	POLEA ENTRADA REDUCTOR 30L	GEAR BOX POLEY 30L	210408	1
	POLEA 48L 050	PULLEY 48L 050	210438	
5	CORREA 187L 050 50 DIENTES	187L 050 BELT	210409	1
	CORREA 225L 050	BELT 225L 050	210439	
6	BIELA	CONNECTING ROD	210411	1
7	TORNILLO DESBLOQUEO	UNBLOCK SCREW	210428	1
8	BASE MOTOR	MOTOR ANCHORING	210436	1
9	MOTOR (230V-50Hz)	MOTOR (230V-50Hz)	210441	1
	MOTOR (220V-60Hz)	MOTOR (220V-60Hz)	210441B	
	MOTOR (110V-60Hz)	MOTOR (110V-60Hz)	210441C	
	MOTOR (240/250V-50Hz)	MOTOR (240/250V-50Hz)	210441D	
10	CONDENSADOR 16µF CON CABLE Y CONECTOR (230V-50Hz)	CAPACITOR 16µF WITH CABLE AND CONNECTOR (230V-50Hz)	210442	1
	CONDENSADOR 50µF CON CABLE Y CONECTOR (110V-60Hz)	CAPACITOR 50µF WITH CABLE AND CONNECTOR (110V-60Hz)	210442A	
	CONDENSADOR 12µF CON CABLE Y CONECTOR (220V-60Hz)	CAPACITOR 12µF WITH CABLE AND CONNECTOR (220V-60Hz)	210442B	
11	REDUCTOR CON EJE Z40	GEAR BOX WITH SHAFT Z40	210443	1
12	CONJUNTO COPIADOR REPUESTO	CYCLE COPIER SET REPLACEMENT	210452	1
13	ARANDELA GROWER M6 DIN-127	SPRING LOCK WASHER M6	T-127-M6	1
14	ARANDELA GROWER M8 DIN-127	SPRING LOCK WASHER M8	T-127-M8	1
15	TUERCA HEXAGONAL BAJA M8 DIN-439	HEXAGON THIN NUTS DIN 439	T-439-M8	1
16	CHAVETA 8X7X16 DIN-6885A	COTTER 8X7X16 DIN-6885A	T-6885A-8x7x16	1
17	ARAND.PLANA ANCHA M6 DIN-9021	S. STEEL WASHER DIN-9021 M6	T-9021-M6	10
18	INOX. TOR. ALLEN M6X16 DIN-912	S. STEEL HEXAGON SOCKET HEAD CAP SCREW M6X16	T-912-M6x16	1
19	TORNILLO HEXAG. M5X12 DIN-933	S. STEEL HEXAGON HEAD SCREW M5X12	T-933-M5x12	1
20	TORNILLO HEXAG. M6X16 DIN-933	S. STEEL HEXAGON HEAD SCREW M6X16	T-933-M6x16	3
21	TORNILLO HEXAG. M6X25 DIN-933	HEX. SCREW M6X25 DIN-933	T-933-M6x25	4
22	TORNILLO HEXAG. M8X20 DIN-933	S. STEEL HEXAGON HEAD SCREW M8X20	T-933-M8x20	1
23	TUERCA HEXAG. M6 DIN-934	S. STEEL HEXAGON NUT M6	T-934-M6	16
24	AMORTIGUADOR SOPORTE MOTOR T-Ø30-20-30-M6	SHOCK ABSORBER Z40	T-D30-20-30-M6	4

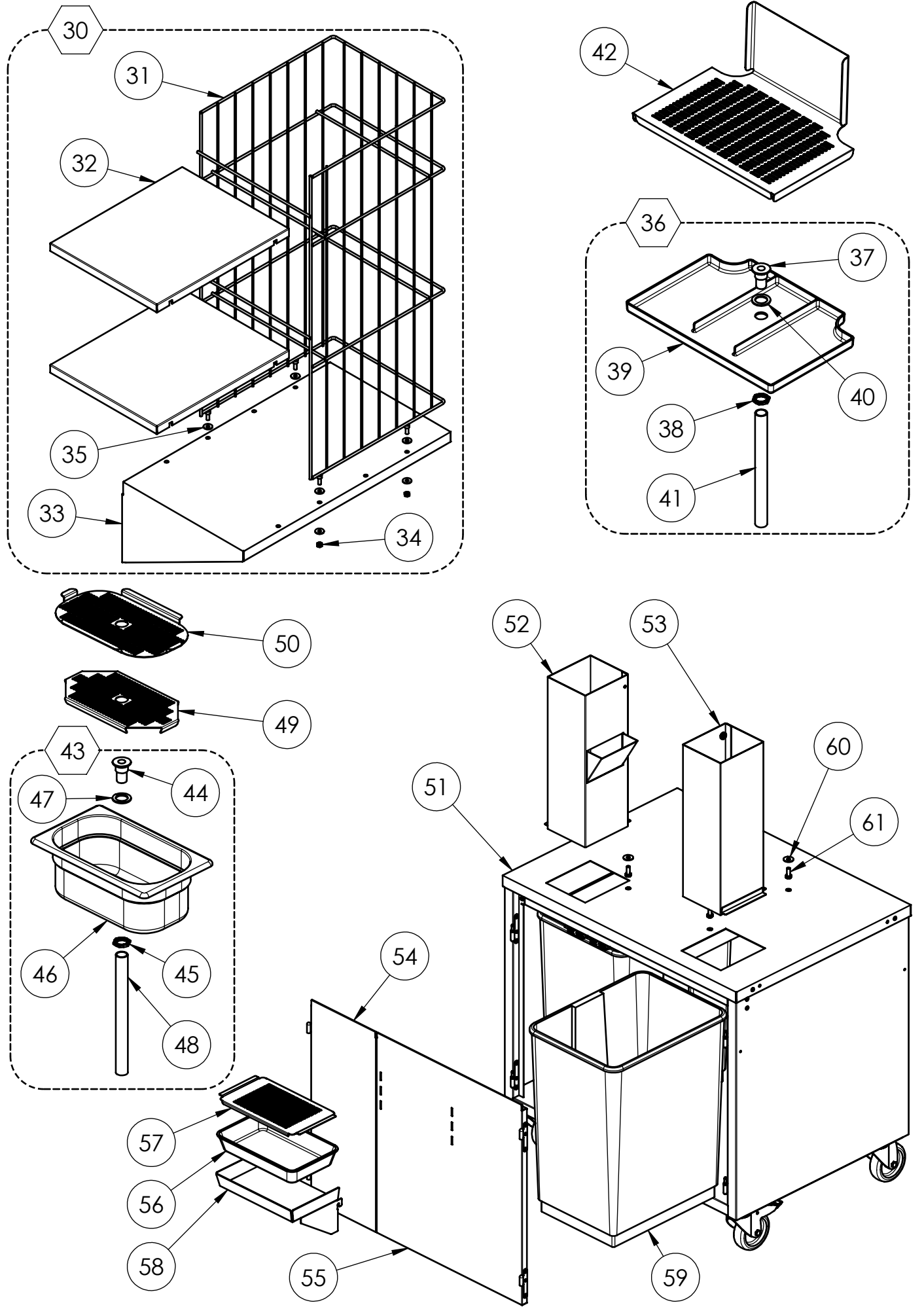
\* Numero de piezas por máquina/Number of parts per machine

Importante: Cada referencia corresponde a una unidad.  
Important: Each reference corresponds to one unit.

## Exploded view 13



## Exploded view 14



Marca	Denominación	Denomination	Ref.	*
1	BANDEJA COMPLETA VT CON SOPORTE BOTELLAS GP	COMPLETE VT TRAY WITH BOTTLES SUPPORT GP	210554A-1	1
2	KIT SOPORTE BOTELLA	BOTTLE HOLDER KIT	210841	1
3	BANDEJA COMPLETA VT GP	COMPLETE VT TRAY GP	210545A-1	1
4	BANDEJA SELF SERVICE VT Z40 GP	Z40 GP SELF SERVICE TRAY	210543A-1	1
5	SOPORTE IMAN	SELF SERVICE MAGNET HOLDER	210807	1
6	BULON PALANCA ACCTO.	BOLT LEVER MECHANISM	210821	1
7	PALANCA ACCIONAMIENTO GRIFO SELF SERVICES Z40	Z40 SELF SERVICE TAP LEVER	210838	1
8	SOPORTE POSICIÓN GRIFO SELF SERVICE	SELF SERVICE TAP HOLDER	210839	1
9	ANILLO MAGNÉTICO	MAGNETIC RING UNIT	1503002	1
10	CIERRE SILICONA GRIFO	TAP SILICONE GASKET	2/13/9-1	1
11	INOX.TOR.ROS.CHAPA 3.5X13 DIN-7981	S. STEEL CROSS RECESSED SCREW Ø3,5x13 DIN-7981	I-7981-Ø3,5X13	2
12	INOX. TORNILLO M4X8 DIN-7985	S. STEEL CROSS RECESSED RAISED CHEESE HEAD SCREW M4X8	I-7985-M4x8	2
13	INOX.TORN.HEXAGONAL DIN-933 M4x10	S. STEEL HEXAGON HEAD SCREW M4X10	I-933-M4X10	1
14	INOX.TORN.HEXAGONAL DIN-933 M4x20	S. STEEL HEXAGON HEAD SCREW M4X20	I-933-M4X20	1
15	INOX.TORN.HEXAGONAL DIN-933 M5x10	S. STEEL HEXAGON HEAD SCREW M5X10	I-933-M5X10	1
16	INOX. TORN AVELL M3X8 DIN-965	S. STEEL CROSS RECESSED COUNTERSUNK HEAD SCREW M3X8	I-965-M3X8	1
17	INOX. TUERCA FRENO M3 DIN-985	S. STEEL PREVAILING TORQUE HEXAGON NUT M3	I-985-M3	1
18	INOX. TUERCA FRENO M4 DIN-985	S. STEEL PREVAILING TORQUE HEXAGON NUT M4	I-985-M4	4
19	GRIFO COMPLETO	COMPLETE TAP ASSEMBLY	V0277	1
20	JUNTA GRIFO CON MANGUITO	TAP FLAT SILICONE WASHER	V0277-4	1

21	DEPOSITO 7.6L Z40 FUME	Z40 SMOKED 7.6L TANK	210816D-5	1
22	DEPOSITO 7.6L Z40 FUME	Z40 SMOKED 7.6L TANK	210805D-5	1
23	TAPA DEPOSITO Z40 GP	Z40 GP TANK LID	210806A-1	1
24	SOPORTE DEPOSITO Z40	Z40 TANK SUPPORT	210809A	1
25	AGITADOR DEPOSITO Z40	Z40 TANK SHAKER	210811	1
26	JUNTA SILICONA	FLAT SILICONE WHASER	1408023	2
27	GRIFO TOMILSON	TANK FAUCET	2/13/9	1
28	CIERRE SILICONA GRIFO	SEAT CUP SILICONE TOMLINSON FAUCET	2/13/9-1	1
29	TUERCA GRIFO TOMLINSON	TOMLINSON TAP NUT	2/13/9-2	1

30	BOTELLERO NATURE	NATURE BOTTLE RACK	0316004-N	1
31	JAULA BOTELLERO	BOTTLE RACK BODY	0316000	1
32	BANDEJA BOTELLERO-NATURE	BOTTLE RACK TRAY	0316002A	2
33	SOPORTE BOTELLERO	BOTTLE RACK SUPPORT	210912A	1
34	TUERCA HEXAG. M6 DIN-934 CINC	HEX NUT M6 DIN-934 ZINC PLATED	T-934-M6	4
35	ARAND.PLANA ANCHA M6 DIN-9021	DIN-9021 WASHER M6	T-9021-M6	8

36	BANDEJA GOTEO MECANIZADA Z40 GP	Z40 GP DRIP TRAY WITH DRAINPIPE	210819A-1	1
37	DESAGUE BANDEJA GOTEO	DIRTY WATER DRIP-TRAY	210810	1
38	TUERCA M20X1.5	M20X1.5 NUT	210814	1
39	BANDEJA GOTEO MECANIZADA Z40 GP	Z40 GP MECHANISED DRIP TRAY	210818A-1	1
40	JUNTA SILICONA	FLAT SILICONE WHASER	1408023	1
41	GOMA DESAGUE	DIRTY WATER TUBE	1605005	1

42	REJILLA GOTEO Z40	Z40 DRIP GRID	210804A	1
----	-------------------	---------------	---------	---

43	CUBETA GN CON DESAGÜE	GN TRAY WITH DRAINPIPE	210926	1
44	DESAGUE BANDEJA GOTEO	DIRTY WATER DRIP-TRAY	210810	1
45	TUERCA M20X1.5	M20X1.5 NUT	210814	1
46	CUBETA GN MECANIZADA	MECHANISED GN TRAY	210917	1
47	JUNTA SILICONA	FLAT SILICONE WHASER	1408023	1
48	GOMA DESAGUE	DIRTY WATER TUBE	1605005	1

49	REJILLA CUBETA GN	GN GRID TRAY	210916A	1
50	TAPA REJILLA CUBETA GN	GN GRID TRAY COVER	210931A	1

\* Numero de piezas por máquina/Number of parts per machine

Importante: Cada referencia corresponde a una unidad.  
Important: Each reference corresponds to one unit.

Marca	Denominación	Denomination	Ref.	*
	MDP/MSP/MDPC			
51	TAPA Z40 MDP	Z40 MDP LID	210901A	1
	TAPA Z40 MSP	MSP Z40 LID	210902A	
	TAPA Z40 MDPC	Z40 MDPC LID	210910A	
52	MANGA IZQUIERDA COMPLETA	COMPLETE LEFT CABINET CHUTE	210929	1
53	MANGA DERECHA COMPLETA	COMPLETE RIGHT CABINET CHUTE	210930	1
54	PUERTA IZQUIERDA MDP/MSP 2015	DOOR MDP/MSP LHS	211002	1
55	PUERTA DERECHA MDP 2015	MDP DOOR RHS	211003	1
	PUERTA DERECHA MSP 2015	MSP DOOR RHS	211004	
56	BANDEJA GOTEO MSP	DRIP TRAY MSP	211007	1
57	REJILLA GOTEO MS/MSP	MS/MSP DRIP GRILL	211008A	1
58	SOPORTE BANDEJA GOTEO MS/MSP	MS/MSP DRIP TRAY HOLDER	211009B	1
59	CUBO 55 LITROS COLOR GRIS GRANITO	PEELS BASKET	<a href="#">1003033</a>	2
60	INOX. ARAND. PLANA ANCHA M8	S. STEEL WASHER DIN-9021 M8	<a href="#">I-9021-M8</a>	4
61	INOX. TOR. HEXAGONAL M8X20 DIN 933	S. STEEL HEXAGON HEAD SCREW M8X20	<a href="#">I-933-M8x20</a>	4

\* Numero de piezas por máquina/Number of parts per machine

Importante: Cada referencia corresponde a una unidad.  
Important: Each reference corresponds to one unit.

ZUMMO INNOVACIONES MECÁNICAS S.A., en su constante afán por mejorar sus productos, se reserva el derecho de modificar las máquinas sin previo aviso; por este motivo el presente libro de instrucciones puede omitir los últimos cambios efectuados.

---

ZUMMO INNOVACIONES MECÁNICAS S.A., in an ongoing effort to improve its products, reserves the right to modify machines without prior warning; for this reason, the present instruction booklet may not include the last product updates.